



US00D954346S

(12) **United States Design Patent**
Lee et al.

(10) **Patent No.:** **US D954,346 S**
(45) **Date of Patent:** **** Jun. 7, 2022**

(54) **HAIR DRYER**

(71) Applicant: **UNIX ELECTRONICS CO., LTD.**,
Gimpo-si (KR)

(72) Inventors: **Chung Gu Lee**, Seoul (KR); **Han Jo Lee**, Seoul (KR)

(73) Assignee: **UNIX ELECTRONICS CO., LTD.**,
Gimpo-si (KR)

(**) Term: **15 Years**

(21) Appl. No.: **29/757,100**

(22) Filed: **Nov. 3, 2020**

(51) **LOC (13) Cl.** **28-03**

(52) **U.S. Cl.**
USPC **D28/13**

(58) **Field of Classification Search**
USPC D28/12-19; D8/29.1
CPC A45D 20/00; A45D 20/04; A45D 20/08;
A45D 20/10; A45D 20/12; A45D
2020/128

See application file for complete search history.

(56) **References Cited**

U.S. PATENT DOCUMENTS

D231,146 S * 4/1974 Kemnitzer D28/15
D243,368 S * 2/1977 Nagelkerke D28/13

D252,472 S * 7/1979 Wistrand D28/13
D256,846 S * 9/1980 Haase D28/13
D259,665 S * 6/1981 Cousins D28/13
D277,417 S * 1/1985 Wistrand D28/13
D280,851 S * 10/1985 Muller D28/15
D305,157 S * 12/1989 Kim D28/15
D367,128 S * 2/1996 Rizzuto D28/13
D506,030 S * 6/2005 Lai D28/13
D866,067 S * 11/2019 Thompson D28/13
D875,310 S * 2/2020 Thompson D28/18

* cited by examiner

Primary Examiner — Zenia I Bennett

(74) *Attorney, Agent, or Firm* — Novick, Kim & Lee,
PLLC; Jae Youn Kim

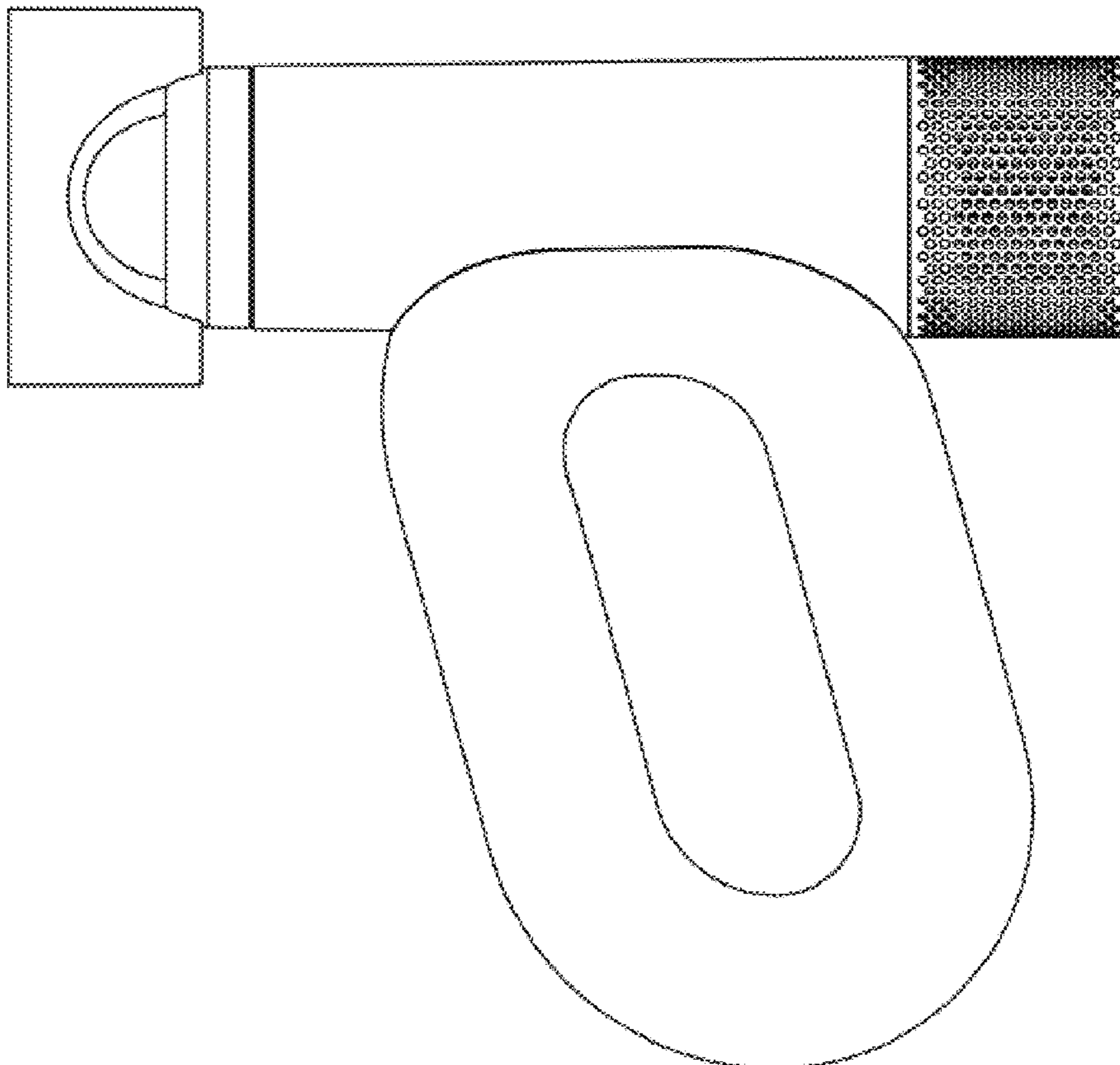
(57) **CLAIM**

The ornamental design for a hair dryer, as shown and described.

DESCRIPTION

FIG. 1 a perspective view of a hair dryer showing our new design;
FIG. 2 is a front elevational view thereof;
FIG. 3 is a rear elevational view thereof;
FIG. 4 is a left side elevational view thereof;
FIG. 5 is a right side elevational view thereof;
FIG. 6 is a top plan view thereof; and,
FIG. 7 is a bottom plan view thereof.

1 Claim, 6 Drawing Sheets



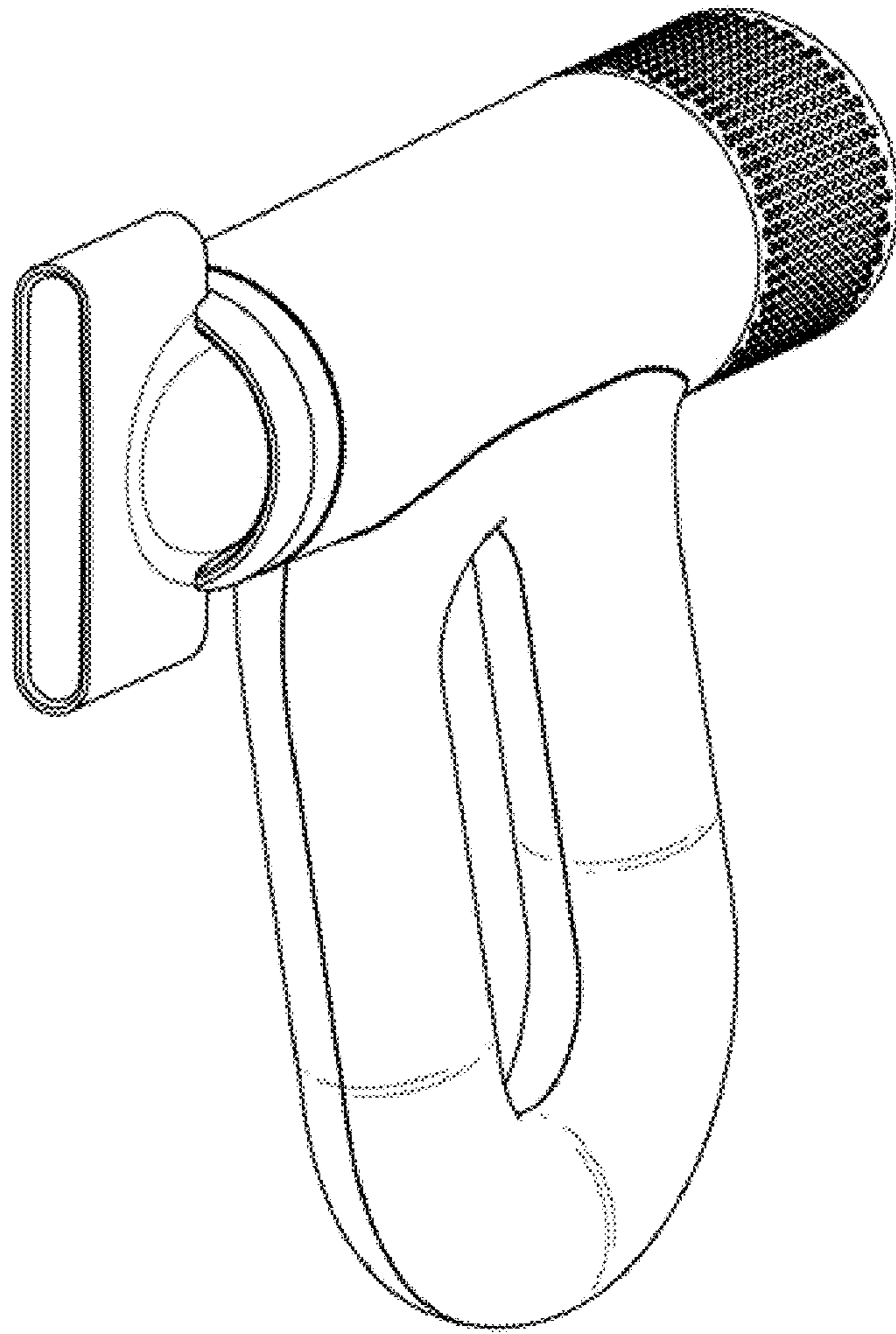


FIG. 1

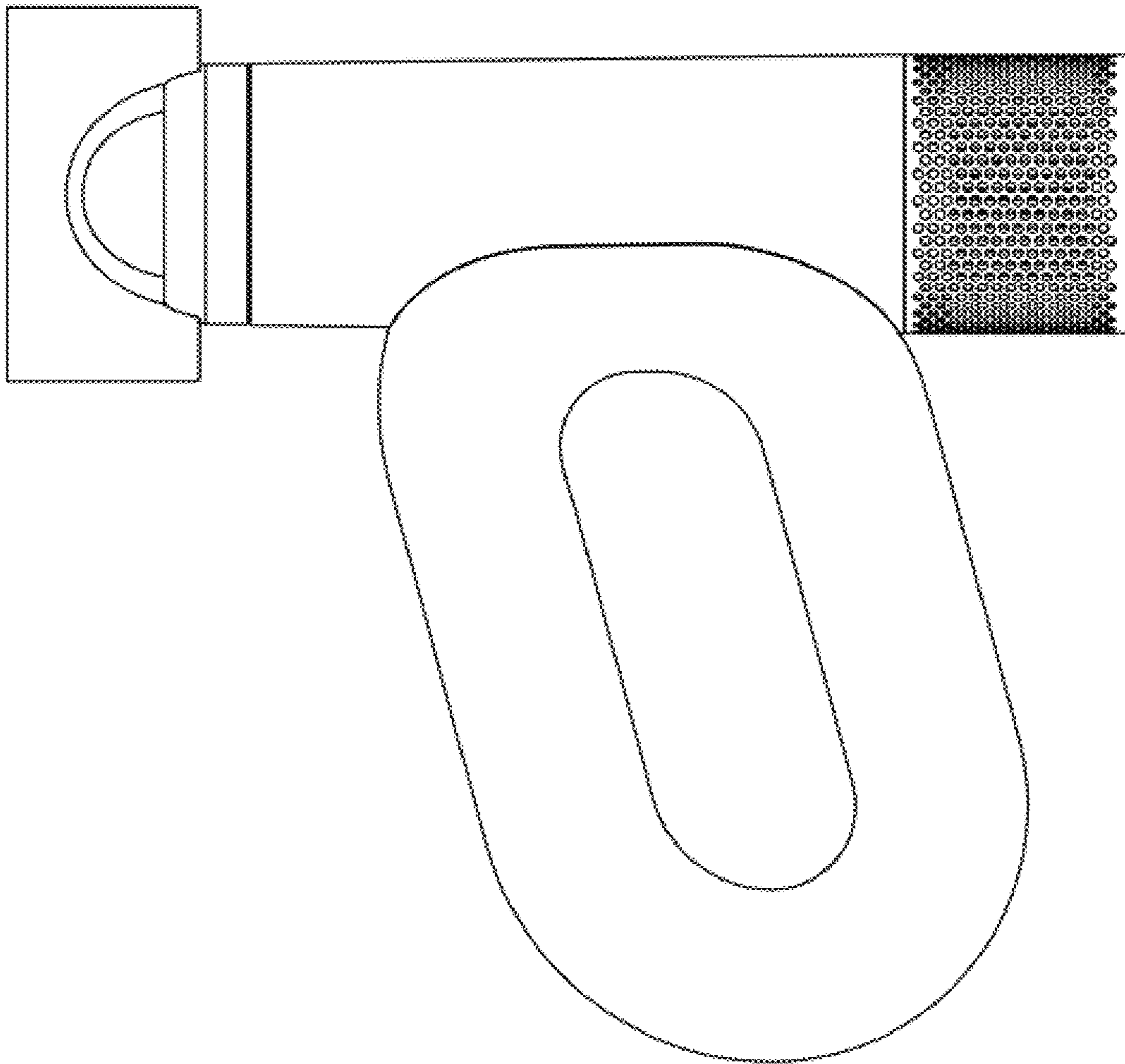


FIG. 2

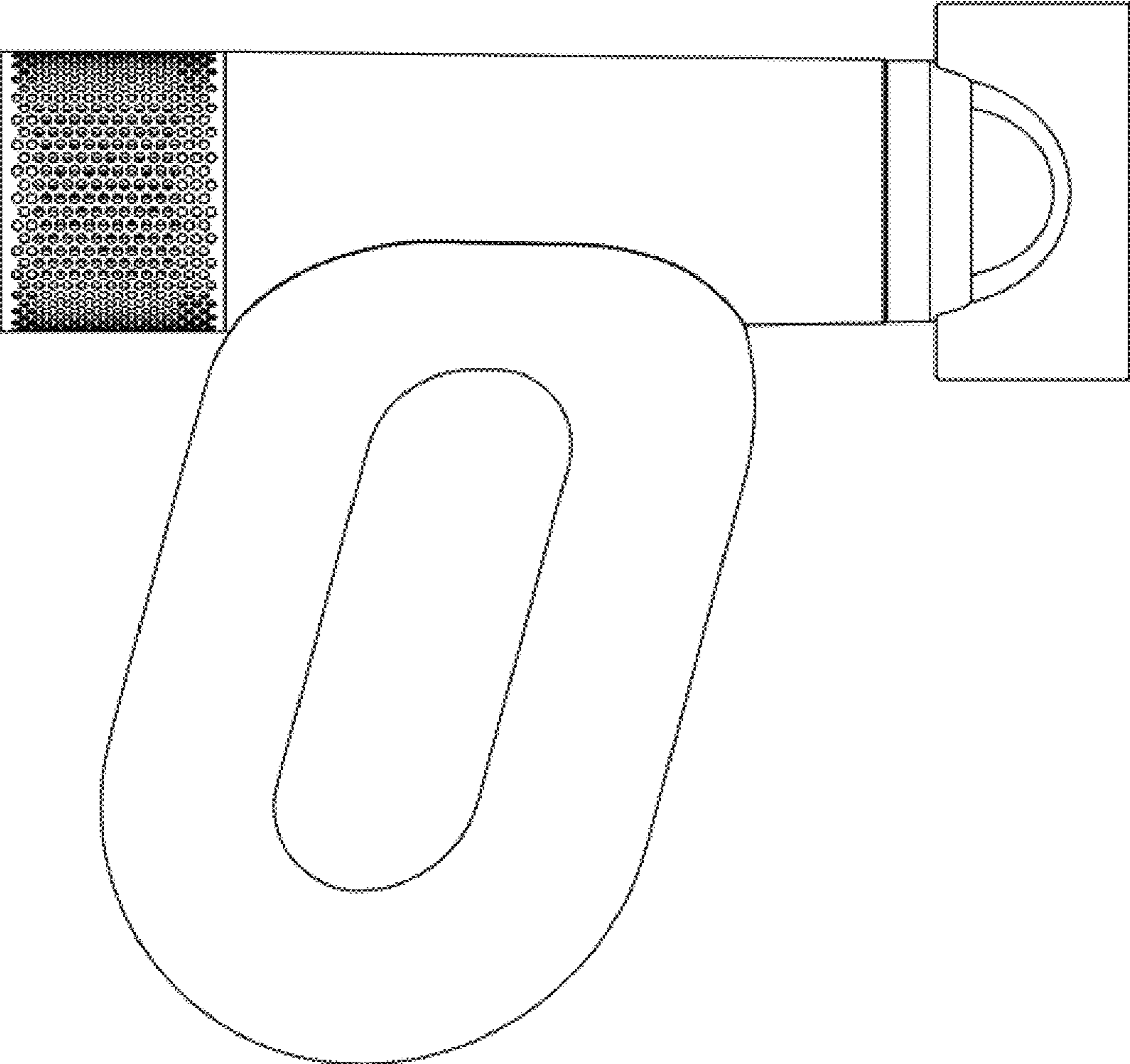


FIG. 3

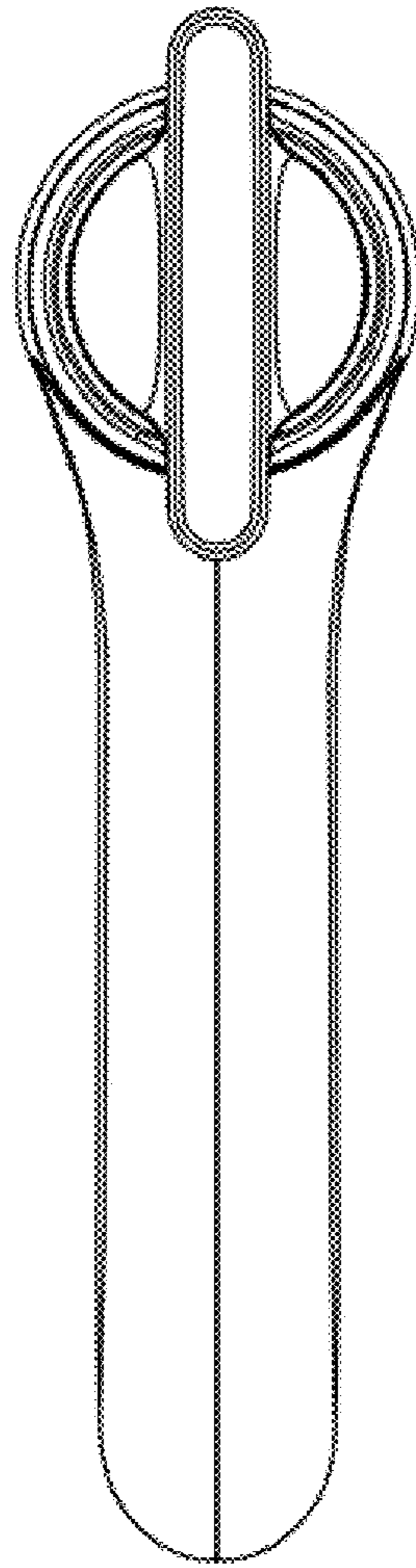


FIG. 4

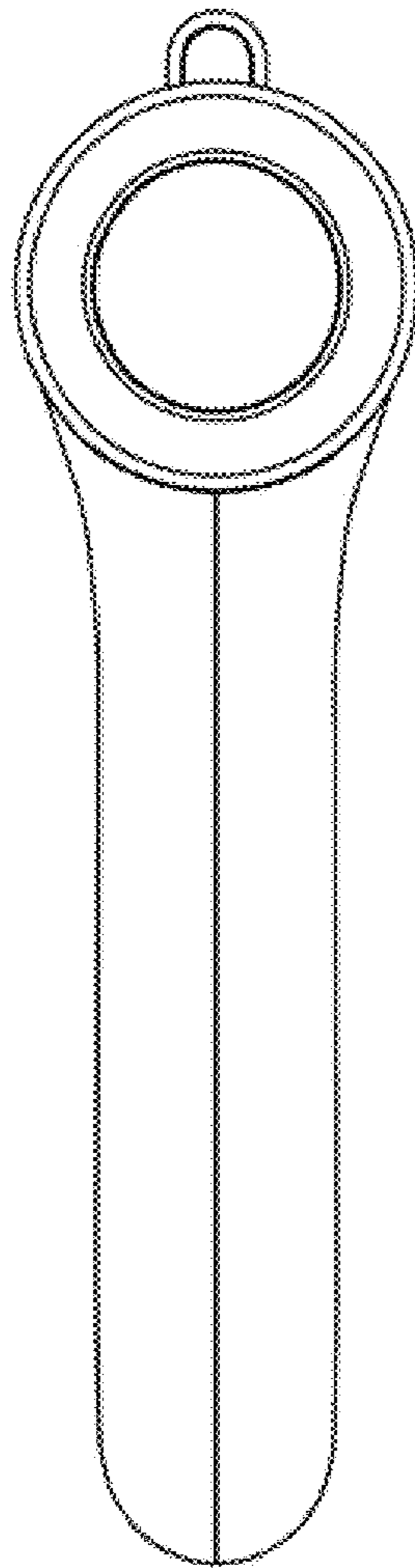


FIG. 5

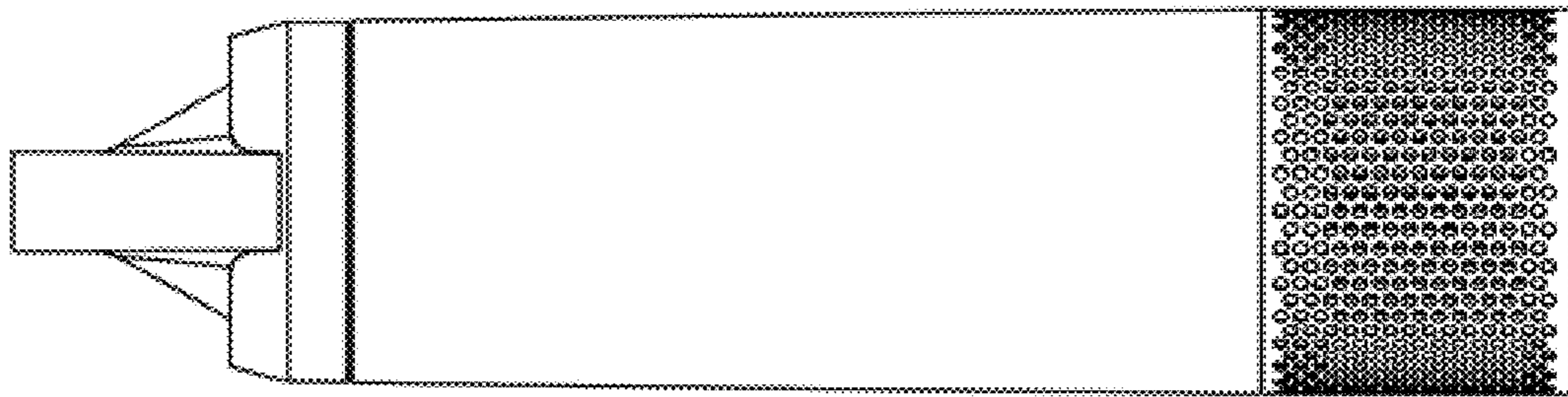


FIG. 6

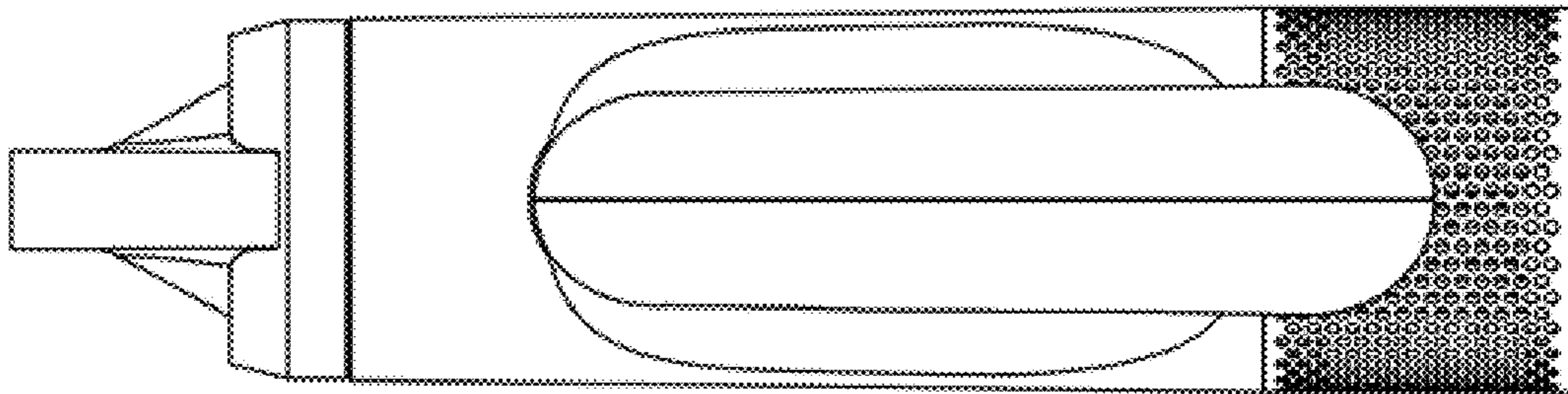


FIG. 7