



US00D954344S

(12) **United States Design Patent**
Yang

(10) **Patent No.:** **US D954,344 S**

(45) **Date of Patent:** **** Jun. 7, 2022**

(54) **ESSENTIAL OIL ATOMIZING HAIR DRYER**

(71) Applicant: **Fan Yang**, Guangzhou (CN)

(72) Inventor: **Fan Yang**, Guangzhou (CN)

(**) Term: **15 Years**

(21) Appl. No.: **29/740,226**

(22) Filed: **Jul. 1, 2020**

(51) **LOC (13) Cl.** **28-03**

(52) **U.S. Cl.**
USPC **D28/13**

(58) **Field of Classification Search**
USPC D28/12-19; D8/29.1
CPC A45D 20/00; A45D 20/04; A45D 20/08;
A45D 20/10; A45D 20/12; A45D
2020/128
See application file for complete search history.

(56) **References Cited**

U.S. PATENT DOCUMENTS

D257,491 S * 11/1980 Cousins D23/370
D270,380 S * 8/1983 Armstrong D28/13
D311,783 S * 10/1990 Howard D28/13

D335,529 S * 5/1993 San-Jou D23/324
D372,772 S * 8/1996 Dubois D23/382
D486,264 S * 2/2004 Enriquez D28/13
D729,979 S * 5/2015 Gammack D28/13
D730,575 S * 5/2015 Bates D28/13
D731,117 S * 6/2015 Bates D28/13
D899,686 S * 10/2020 Lin D28/13
D904,687 S * 12/2020 Xiong D28/13
D911,604 S * 2/2021 Chen D28/13

* cited by examiner

Primary Examiner — Zenia I Bennett

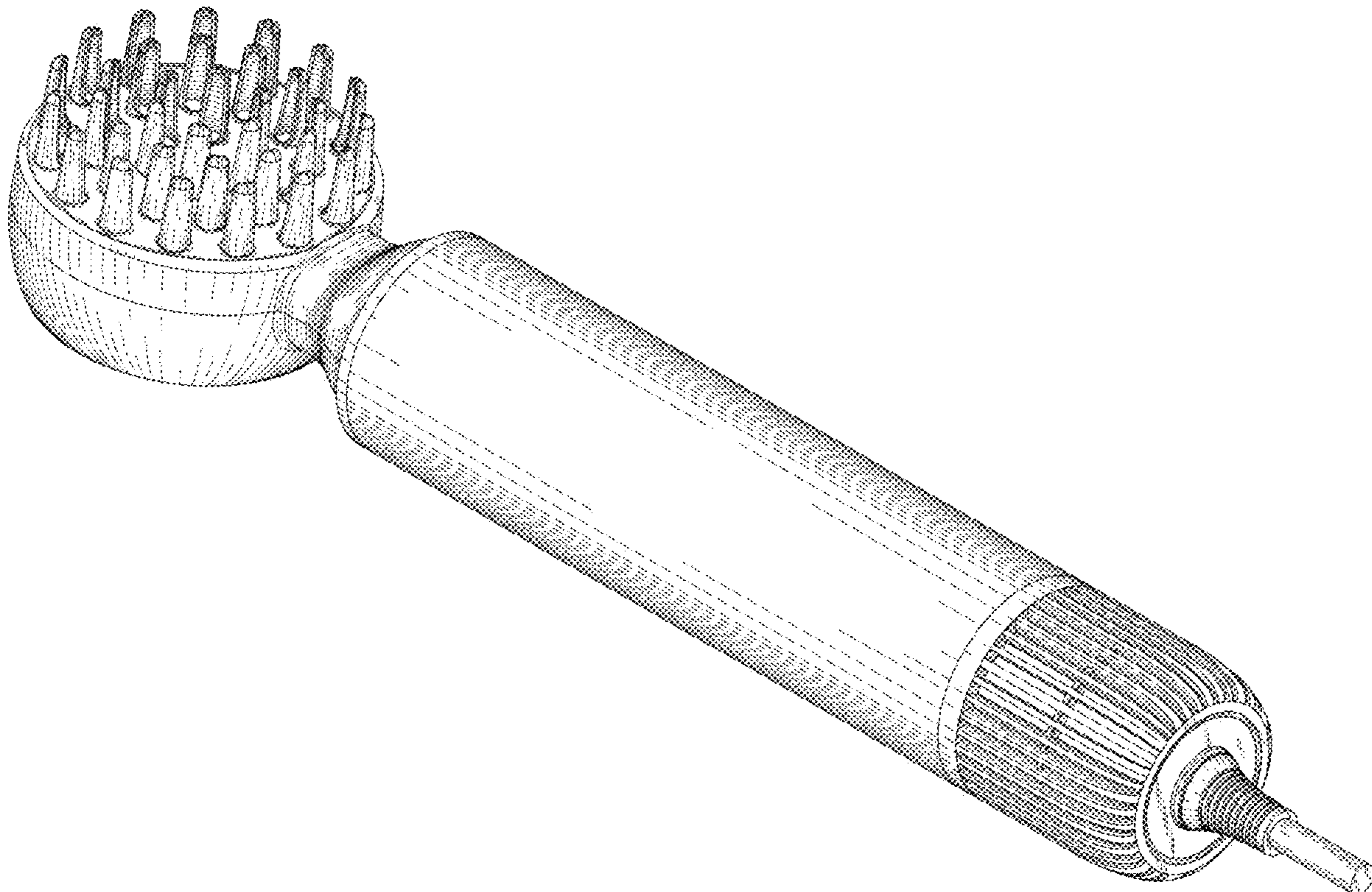
(57) **CLAIM**

The ornamental design for an essential oil atomizing hair dryer, as shown and described.

DESCRIPTION

FIG. 1 is a perspective view of an essential oil atomizing hair dryer showing my new design;
FIG. 2 is another perspective view thereof;
FIG. 3 is a front elevational view thereof;
FIG. 4 is a rear elevational view thereof;
FIG. 5 is a left elevational view thereof;
FIG. 6 is a right elevational view thereof;
FIG. 7 is a top plan view thereof; and,
FIG. 8 is a bottom plan view thereof.

1 Claim, 8 Drawing Sheets



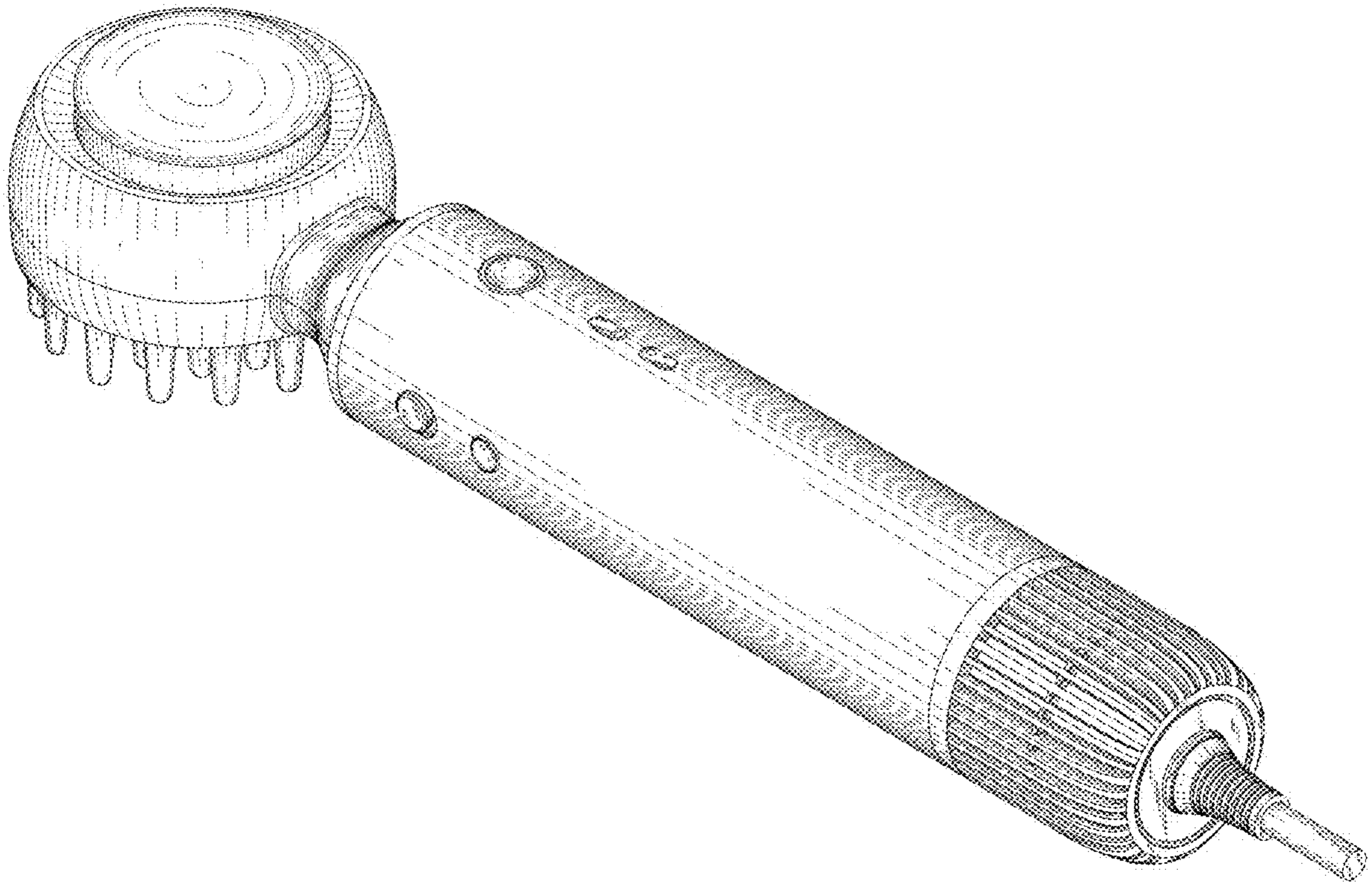


FIG.1

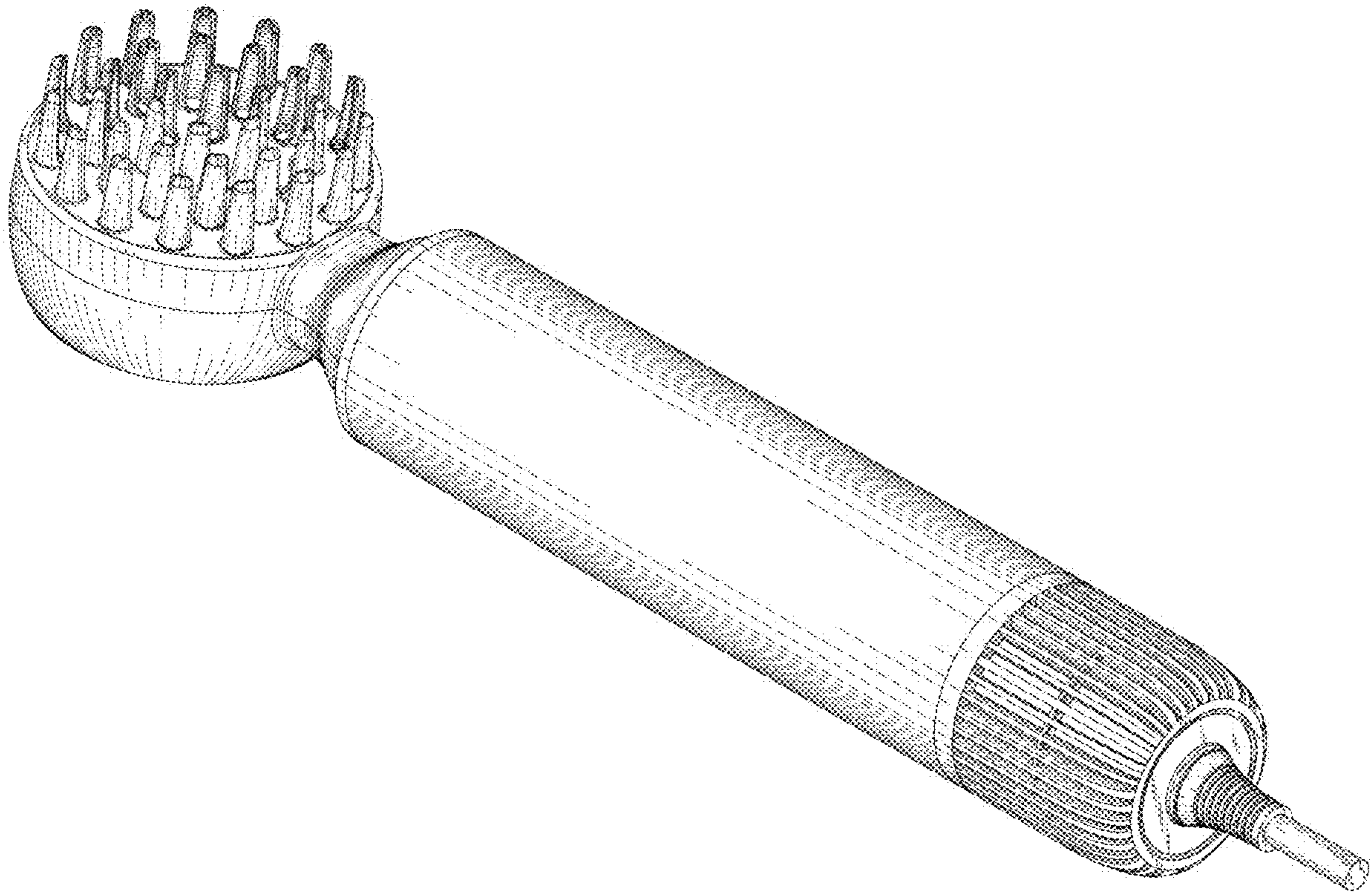


FIG.2

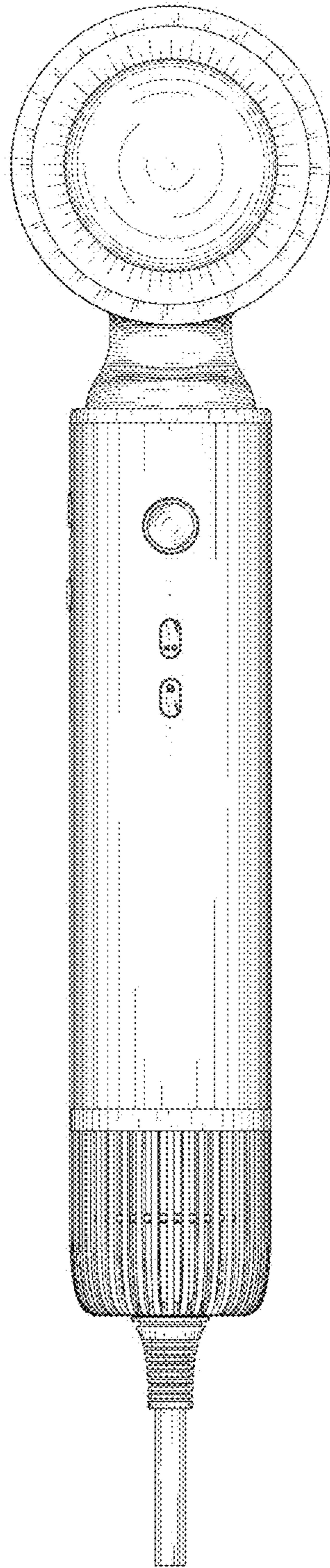


FIG.3

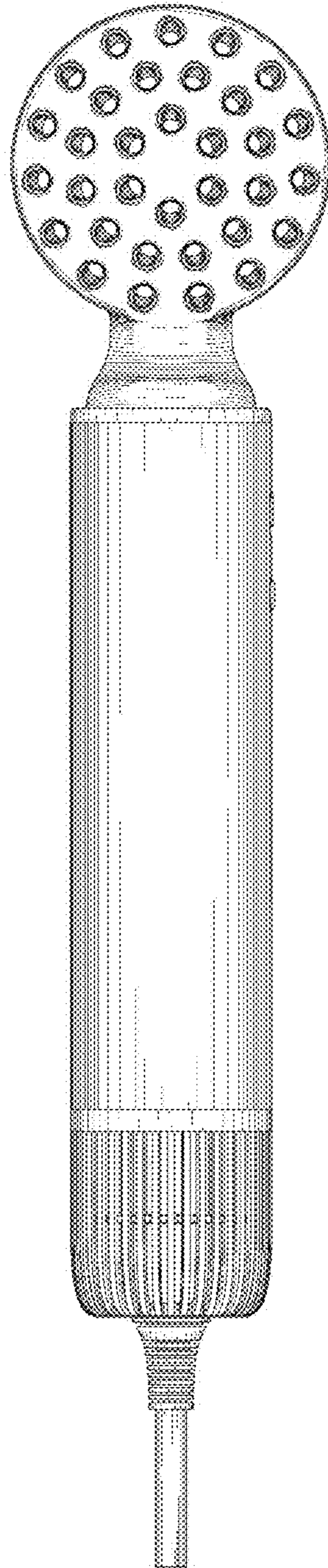


FIG.4

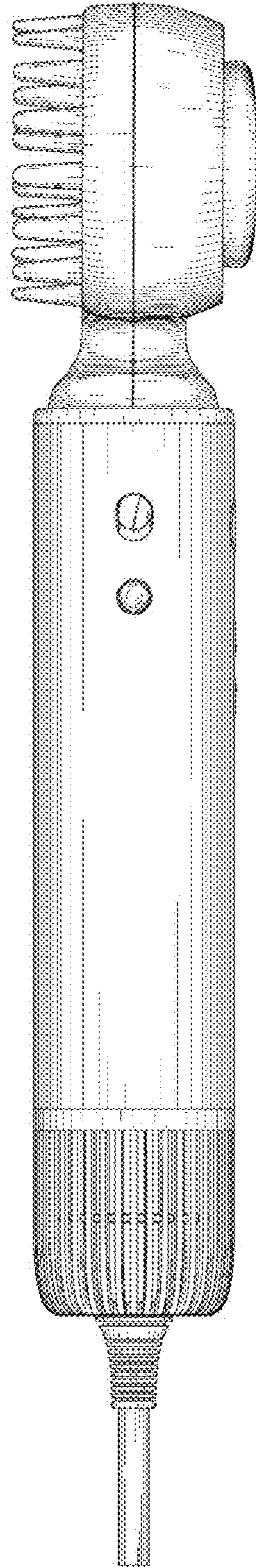


FIG.5

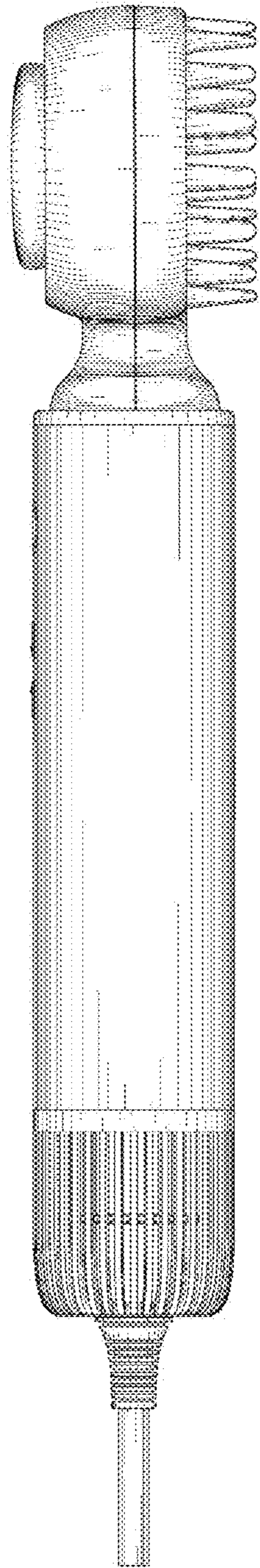


FIG.6

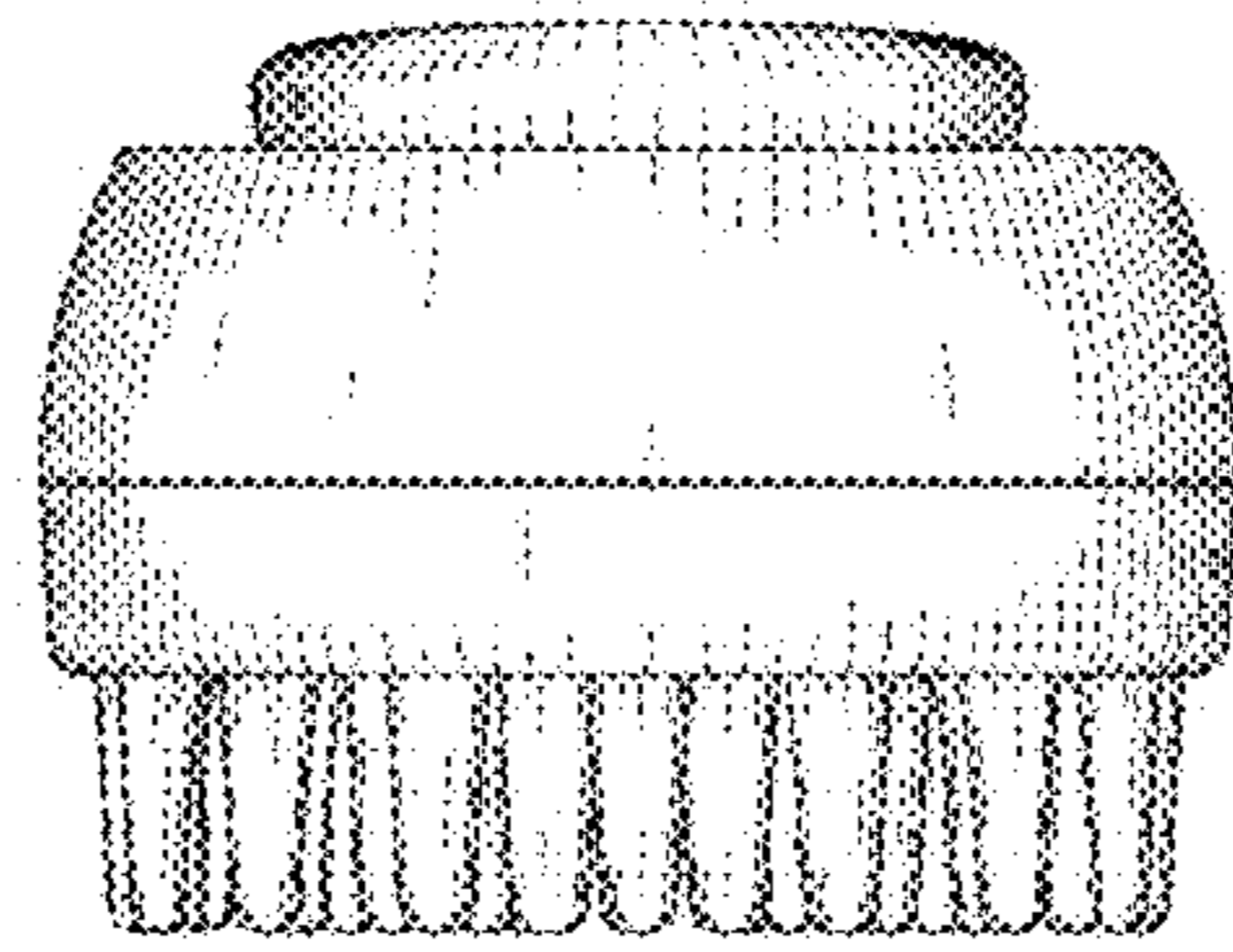


FIG.7

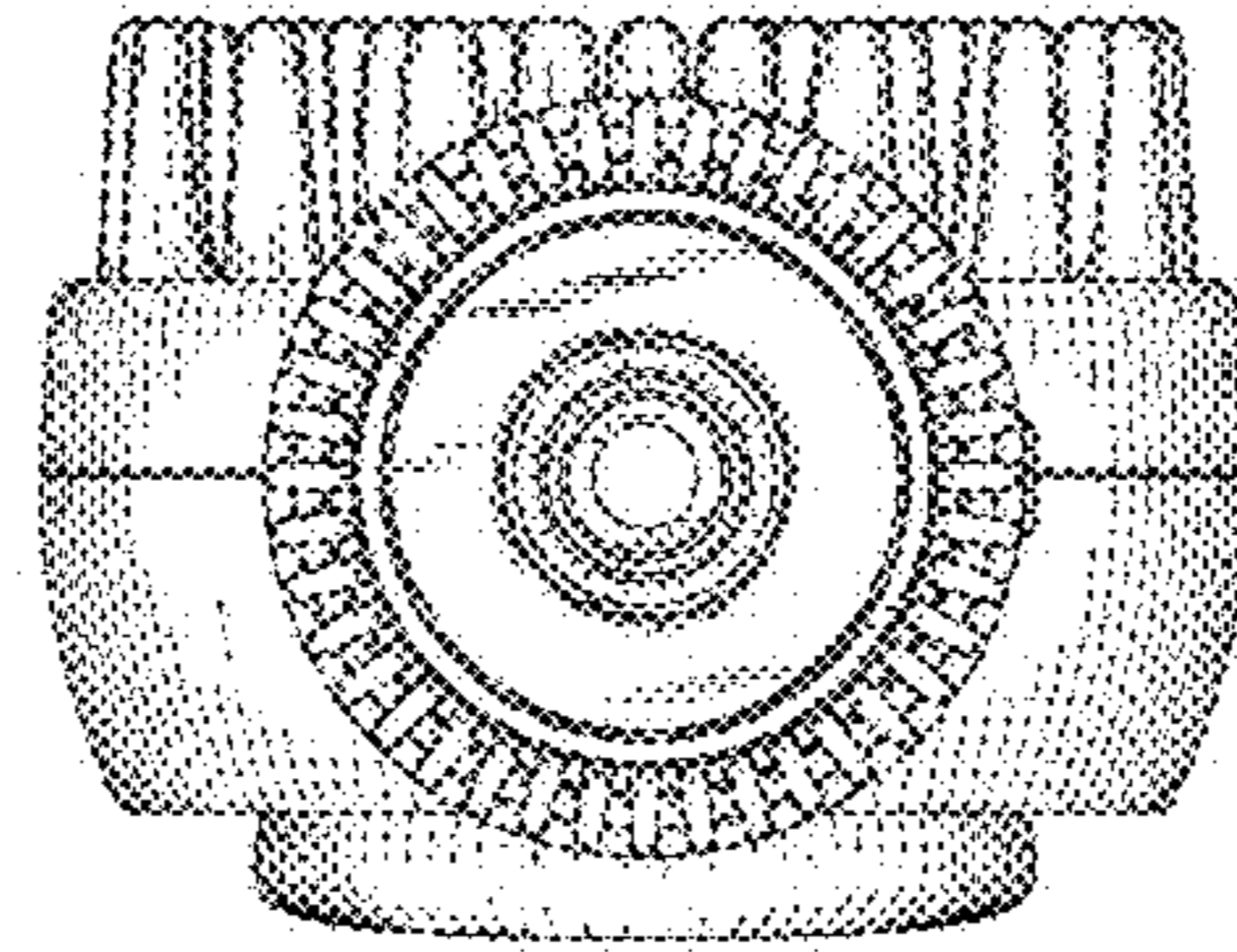


FIG.8