



US00D954342S

(12) **United States Design Patent**
Kintaka

(10) **Patent No.:** **US D954,342 S**
(45) **Date of Patent:** **** Jun. 7, 2022**

(54) **COSMETIC APPLICATOR REFILL**

(71) Applicant: **TOKIWA CORPORATION**, Gifu (JP)

(72) Inventor: **Kengo Kintaka**, Kawaguchi (JP)

(73) Assignee: **TOKIWA CORPORATION**, Gifu (JP)

(**) Term: **15 Years**

(21) Appl. No.: **35/510,441**

(22) Filed: **Mar. 27, 2020**

(80) **Hague Agreement Data**

Int. Filing Date: **Mar. 27, 2020**
Int. Reg. No.: **DM/208461**
Int. Reg. Date: **Mar. 27, 2020**
Int. Reg. Pub. Date: **Oct. 2, 2020**

(30) **Foreign Application Priority Data**

Oct. 11, 2019 (JP) 2019-022907
Oct. 11, 2019 (JP) 2019-022908

(51) **LOC (13) Cl.** **28-02**

(52) **U.S. Cl.**
USPC **D28/7**

(58) **Field of Classification Search**
USPC D28/7, 8, 20-22, 30-31, 76, 85, 99;
D19/192, 115-186, 187-191
CPC ... B43K 8/02; B43K 8/03; B43K 8/04; B43K
8/12
See application file for complete search history.

(56) **References Cited**

U.S. PATENT DOCUMENTS

D370,088 S * 5/1996 Burns D19/117
D379,256 S * 5/1997 Tipp D32/46
D399,253 S * 10/1998 Raymond D19/117
D580,489 S * 11/2008 Ma D19/117

D590,877 S * 4/2009 Ma D19/121
D742,589 S * 11/2015 Rizzo D28/7
D773,730 S * 12/2016 Rizzo D28/7
D876,542 S * 2/2020 Van Den Broecke D19/187

OTHER PUBLICATIONS

Korean Intellectual Property Office, Office Action in counterpart International Registration No. DM/208461, dated Oct. 1, 2021.

* cited by examiner

Primary Examiner — Khawaja Anwar

(74) *Attorney, Agent, or Firm* — Leydig, Voit & Mayer, Ltd.

(57) **CLAIM**

The ornamental design for a cosmetic applicator refill, as shown and described.

DESCRIPTION

1. Cosmetic applicator refill

1.1 : Perspective

1.2 : Front

1.3 : Back

1.4 : Top

1.5 : Bottom

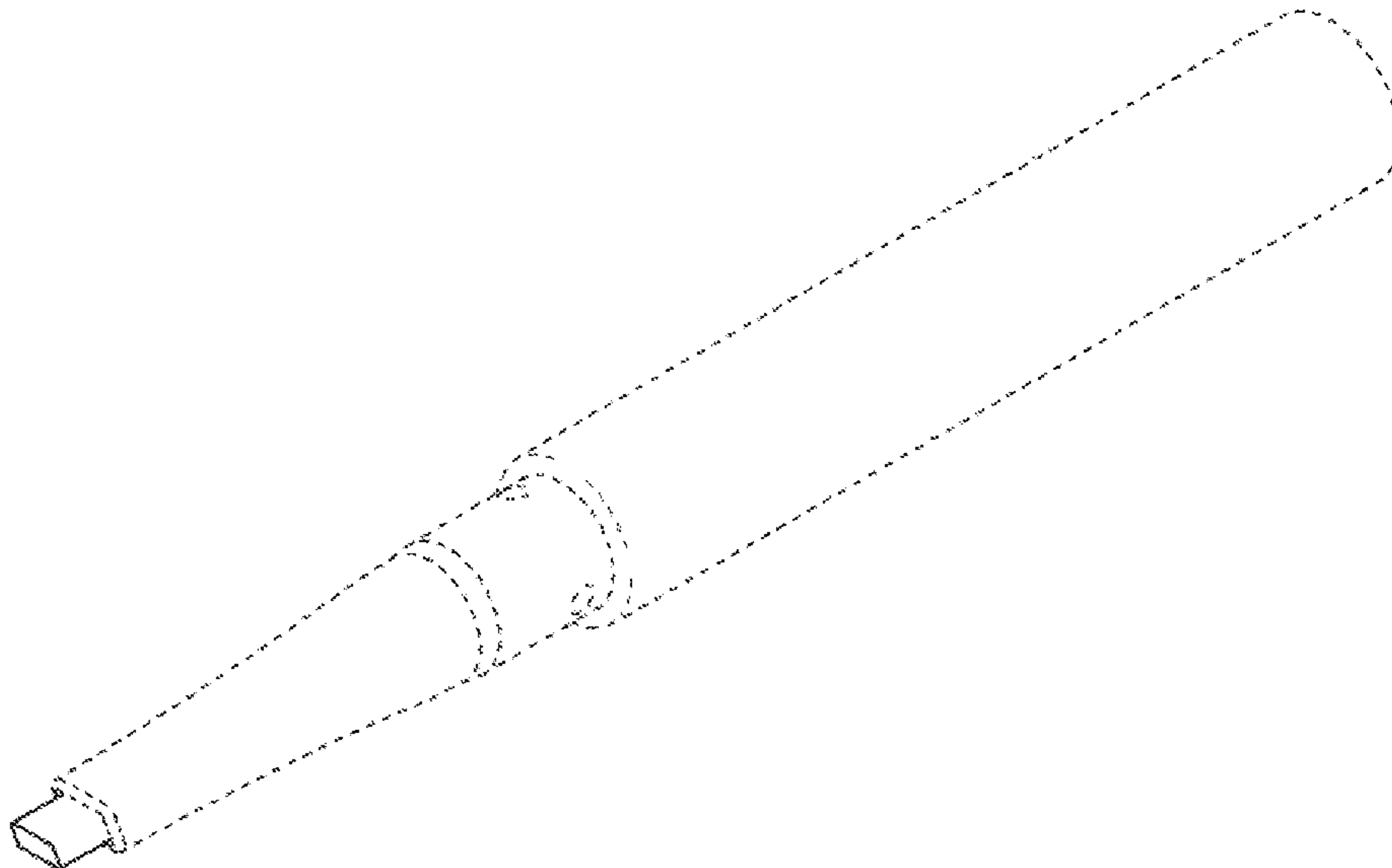
1.6 : Left

1.7 : Right

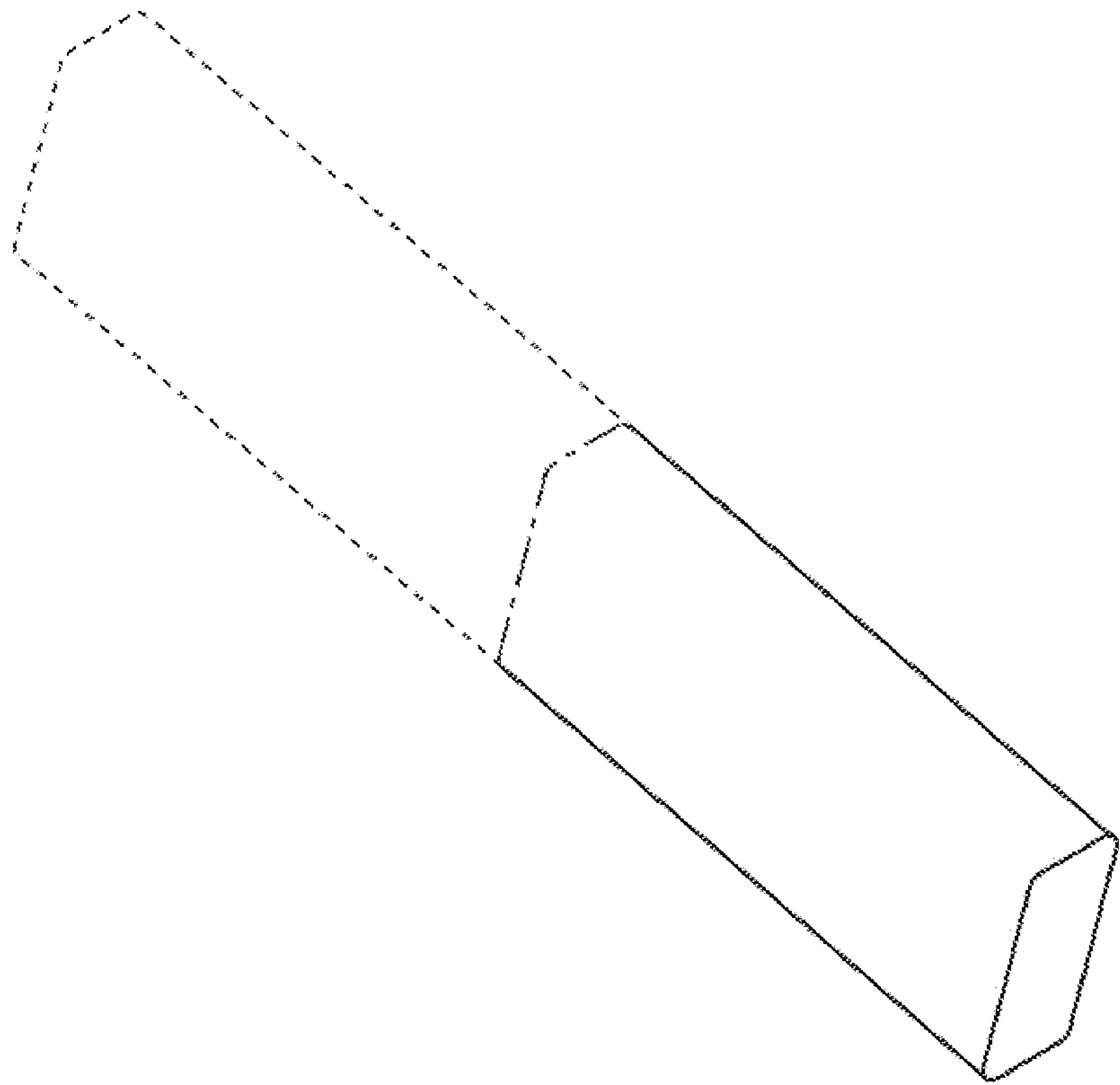
1.8 : Reference view showing the state in use

Design: the article is a cosmetic applicator refill which is used as an eyeliner, an eyebrow liner, and a lipstick; as shown in "Reference view showing the state in use", the article may be used so as to be contained in a container capable of projecting the cosmetic applicator refill. The parts shown in dotted lines do not form part of the claimed design; the broken lines having alternating long and short segments define bounds of the claimed design and form no part thereof.

1 Claim, 8 Drawing Sheets



1.1



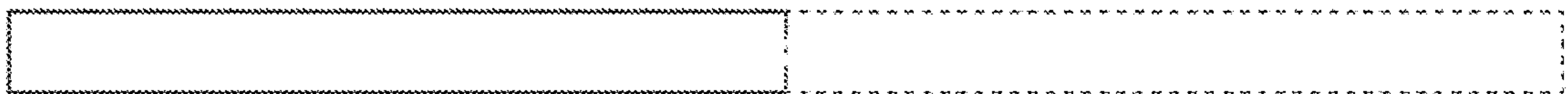
1.2



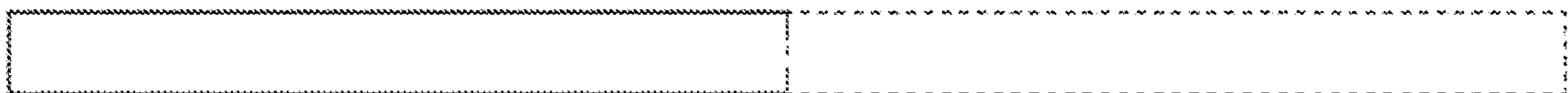
1.3



1.4



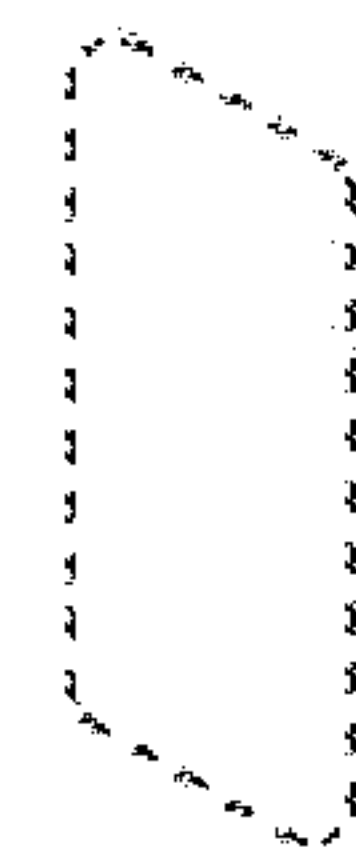
1.5



1.6



1.7



1.8

