

US00D954341S

(12) **United States Design Patent** (10) **Patent No.:** **US D954,341 S**
Steinbauer (45) **Date of Patent:** **** Jun. 7, 2022**

(54) **VAPORIZER CARTRIDGE**
(71) Applicant: **Martin Steinbauer**, Vienna (AT)
(72) Inventor: **Martin Steinbauer**, Vienna (AT)
(**) Term: **15 Years**
(21) Appl. No.: **29/687,473**
(22) Filed: **Apr. 12, 2019**
(51) **LOC (13) Cl.** **27-02**
(52) **U.S. Cl.**
USPC **D27/167**
(58) **Field of Classification Search**
USPC D27/100, 101, 139, 141, 148, 157,
D27/161-171, 183, 185-194; D13/108,
D13/144, 103, 119, 146, 168; D23/360,
D23/364-366; D24/110, 110.5, 129, 113,
D24/112; D19/925-929, 161-166, 173,
D19/66, 115, 123, 177, 923, 194-196;
D28/85, 4, 7, 88, 73-76; D3/201, 11, 13,
D3/17, 273, 300, 202; D14/411, 480.5,
D14/480.1, 480.3, 483, 484.1, 137, 250,
D14/251, 480.7, 203.1, 203.3, 203.7, 218,
D14/254, 433-435, 435.1; D9/686, 529;
D8/107; D10/119.1, 119.3, 119.2;
D17/13
CPC A24F 40/00; A24F 40/40; A24F 40/42;
A24F 40/05; A24F 40/46; A24F 47/002;
A24F 47/008; A24D 1/14; A24D 1/042;
A24D 1/02; G06F 3/03545; A61M 15/06
See application file for complete search history.

D721,202 S 1/2015 Liu
D725,310 S 3/2015 Eksouzian
D750,320 S 2/2016 Verleur et al.
D752,280 S 3/2016 Verleur et al.
D758,651 S * 6/2016 Wu D27/101
D760,948 S 7/2016 Eksouzian
D762,003 S 7/2016 Lomeli
D763,502 S 8/2016 Verleur et al.
D773,114 S 11/2016 Leidel et al.
D773,727 S 12/2016 Eksouzian
D776,338 S 1/2017 Lomeli
D779,719 S 2/2017 Qiu
D786,497 S 5/2017 Sudlow et al.
D788,362 S 5/2017 Qiu
D790,766 S 6/2017 Li

(Continued)

FOREIGN PATENT DOCUMENTS

CN 304402376 * 12/2017
CN 304580086 * 4/2018

(Continued)

Primary Examiner — Kevin K Rudzinski

(57) **CLAIM**

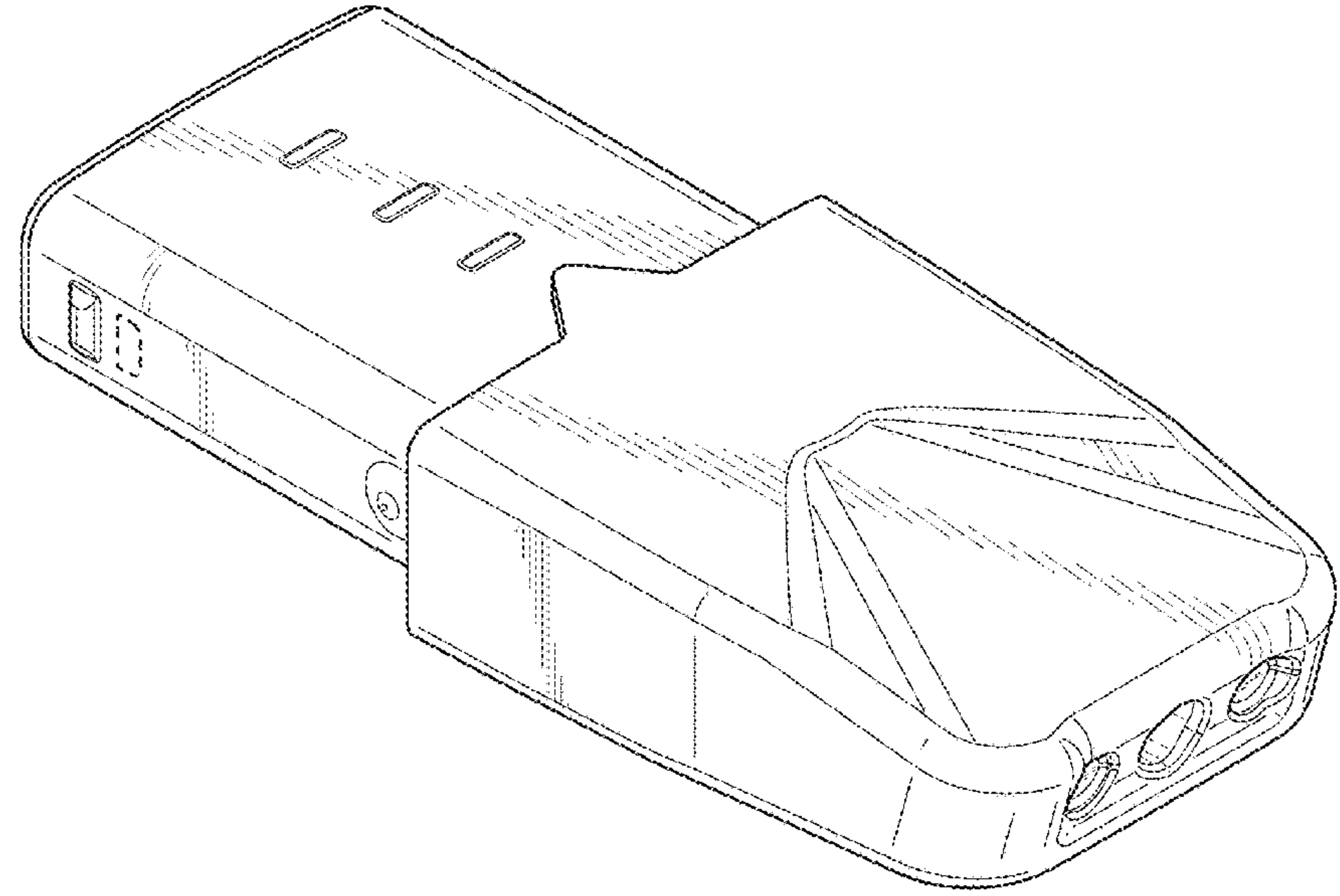
I claim the ornamental design for a vaporizer cartridge, as shown and described.

DESCRIPTION

FIG. 1 is a perspective view of my new design for a vaporizer cartridge, featuring the top, front and right sides thereof;
FIG. 2 is a front elevational view thereof;
FIG. 3 is a right side elevational view thereof;
FIG. 4 is a rear elevational view thereof;
FIG. 5 is a left side elevational view thereof;
FIG. 6 is a top plan view thereof; and,
FIG. 7 is a bottom plan view thereof.
The broken lines shown in the drawings illustrate portions of vaporizer cartridge that form no part of the claimed design.

1 Claim, 4 Drawing Sheets

(56) **References Cited**
U.S. PATENT DOCUMENTS
D347,489 S * 5/1994 Kastner D27/194
D368,552 S 4/1996 Adams
D416,857 S * 11/1999 Gauld D13/103
D579,934 S * 11/2008 Okamoto D14/435.1



(56)

References Cited

U.S. PATENT DOCUMENTS

D792,643 S 7/2017 Wong et al.
 D799,110 S 10/2017 Qiu
 D799,111 S 10/2017 Qiu
 D799,112 S 10/2017 Qiu
 D799,113 S 10/2017 Qiu
 D799,744 S 10/2017 Qiu
 D802,206 S 11/2017 Huang et al.
 D806,311 S 12/2017 Smith
 D809,191 S 1/2018 Li
 D809,192 S 1/2018 Liu
 D825,102 S 8/2018 Bowen et al.
 D825,844 S 8/2018 Verleur et al.
 D832,500 S * 10/2018 Qiu D27/162
 D833,064 S 11/2018 Verleur et al.
 D834,246 S * 11/2018 Qiu D27/162
 D836,831 S * 12/2018 Cividi D27/162
 D837,446 S * 1/2019 Durand D27/101
 D842,536 S 3/2019 Bowen et al.
 D843,644 S 3/2019 Qiu
 D844,235 S * 3/2019 Cividi D27/167
 D849,996 S 5/2019 Duque et al.
 D853,633 S 7/2019 Zeng
 D855,251 S 7/2019 Qiu et al.
 D858,868 S 9/2019 Bowen et al.
 D858,869 S 9/2019 Bowen et al.
 D858,870 S 9/2019 Bowen et al.
 D859,735 S * 9/2019 Qiu D27/162
 D860,519 S 9/2019 Cividi
 D860,520 S 9/2019 Cividi
 D861,973 S 10/2019 Qiu et al.
 D864,471 S * 10/2019 Cheng D27/101
 D863,665 S 11/2019 Huang et al.
 D866,064 S 11/2019 Powell et al.
 D866,852 S * 11/2019 Cividi D27/101
 D868,361 S 11/2019 Stone
 D870,368 S 12/2019 Leon Duque et al.
 D870,370 S 12/2019 Greenbaum et al.
 D870,373 S * 12/2019 Greenbaum D27/169
 D870,374 S 12/2019 Greenbaum et al.
 D870,961 S 12/2019 Levinson
 D871,669 S 12/2019 Lee
 D875,302 S 2/2020 Pan
 D875,303 S 2/2020 Pan
 D875,305 S 2/2020 Lai
 D875,306 S 2/2020 Pan
 D876,006 S * 2/2020 Qiu D27/162
 D877,971 S 3/2020 Bowen et al.
 D877,976 S * 3/2020 Ding D27/162
 D877,977 S * 3/2020 Ding D27/162
 D880,053 S * 3/2020 Han D27/162
 D880,054 S 3/2020 Barbaric et al.
 10,602,780 B2 * 3/2020 Chen A61M 15/06
 D881,460 S * 4/2020 Han D27/162
 D887,629 S 6/2020 Pierce et al.
 D887,632 S 6/2020 Duque et al.
 D888,327 S 6/2020 Murray et al.
 D888,934 S 6/2020 Nguyen
 D889,033 S 6/2020 Murray et al.
 D889,736 S * 7/2020 Han D27/162

D889,737 S 7/2020 Vora et al.
 D890,417 S * 7/2020 Austin D27/162
 D891,691 S * 7/2020 Chen D27/162
 D891,692 S 7/2020 Barbaric et al.
 10,701,975 B2 7/2020 Bowen et al.
 10,709,173 B2 7/2020 Monsees et al.
 D893,096 S 8/2020 Leon Duque et al.
 D896,436 S * 9/2020 Huang D27/162
 D897,595 S * 9/2020 Guo D27/162
 10,757,980 B1 9/2020 Greenbaum
 10,786,013 B2 9/2020 Greenbaum
 D898,280 S * 10/2020 Li D27/162
 D901,067 S 11/2020 Powell et al.
 D901,069 S 11/2020 Stone
 D902,473 S * 11/2020 Li D27/101
 D902,480 S * 11/2020 Chen D27/194
 10,821,240 B2 11/2020 McCullough
 D903,937 S 12/2020 Chimbuya et al.
 D907,844 S * 1/2021 Pan D27/162
 D910,235 S 2/2021 Barbaric et al.
 D910,913 S * 2/2021 Kauss D27/194
 D912,309 S 3/2021 Bowen et al.
 D913,579 S 3/2021 Bowen et al.
 D913,583 S 3/2021 Leon Duque et al.
 D914,274 S * 3/2021 Vora D27/162
 10,952,476 B2 3/2021 Greenbaum
 D919,881 S 5/2021 Carlberg et al.
 D920,568 S 5/2021 Liu
 D920,571 S 5/2021 Jones et al.
 11,019,685 B2 5/2021 Bowen et al.
 D921,280 S 6/2021 Rasmussen et al.
 D921,284 S 6/2021 Belisle et al.
 D923,240 S * 6/2021 Wang D27/162
 D923,241 S 6/2021 Markovic et al.
 D923,864 S 6/2021 Carlberg et al.
 D927,061 S 8/2021 Leon Duque et al.
 D927,773 S 8/2021 Jones et al.
 D928,395 S * 8/2021 Li D27/162
 D929,034 S * 8/2021 Li D27/162
 D929,036 S 8/2021 Leon Duque et al.
 D931,524 S 9/2021 Greenbaum et al.
 11,129,410 B2 9/2021 Barbaric et al.
 D932,686 S 10/2021 Chen
 D933,286 S * 10/2021 Weiss D27/162
 11,140,918 B2 10/2021 Vora et al.
 D940,951 S * 1/2022 Ding D27/162
 2015/0008149 A1 * 1/2015 Liu A24F 15/01
 206/257
 2018/0098568 A1 * 4/2018 Qiu A24F 47/008
 2019/0335809 A1 * 11/2019 Han A24F 40/485
 2020/0178616 A1 * 6/2020 Yu A61M 15/0083
 2020/0214353 A1 * 7/2020 Hu A24F 40/49
 2020/0288788 A1 * 9/2020 Vora A24F 40/40
 2020/0359702 A1 * 11/2020 Cheng H05B 1/0297

FOREIGN PATENT DOCUMENTS

JP D1613382 * 9/2018
 WO WO D208392-001 * 6/2020
 WO WO D208392-002 * 6/2020

* cited by examiner

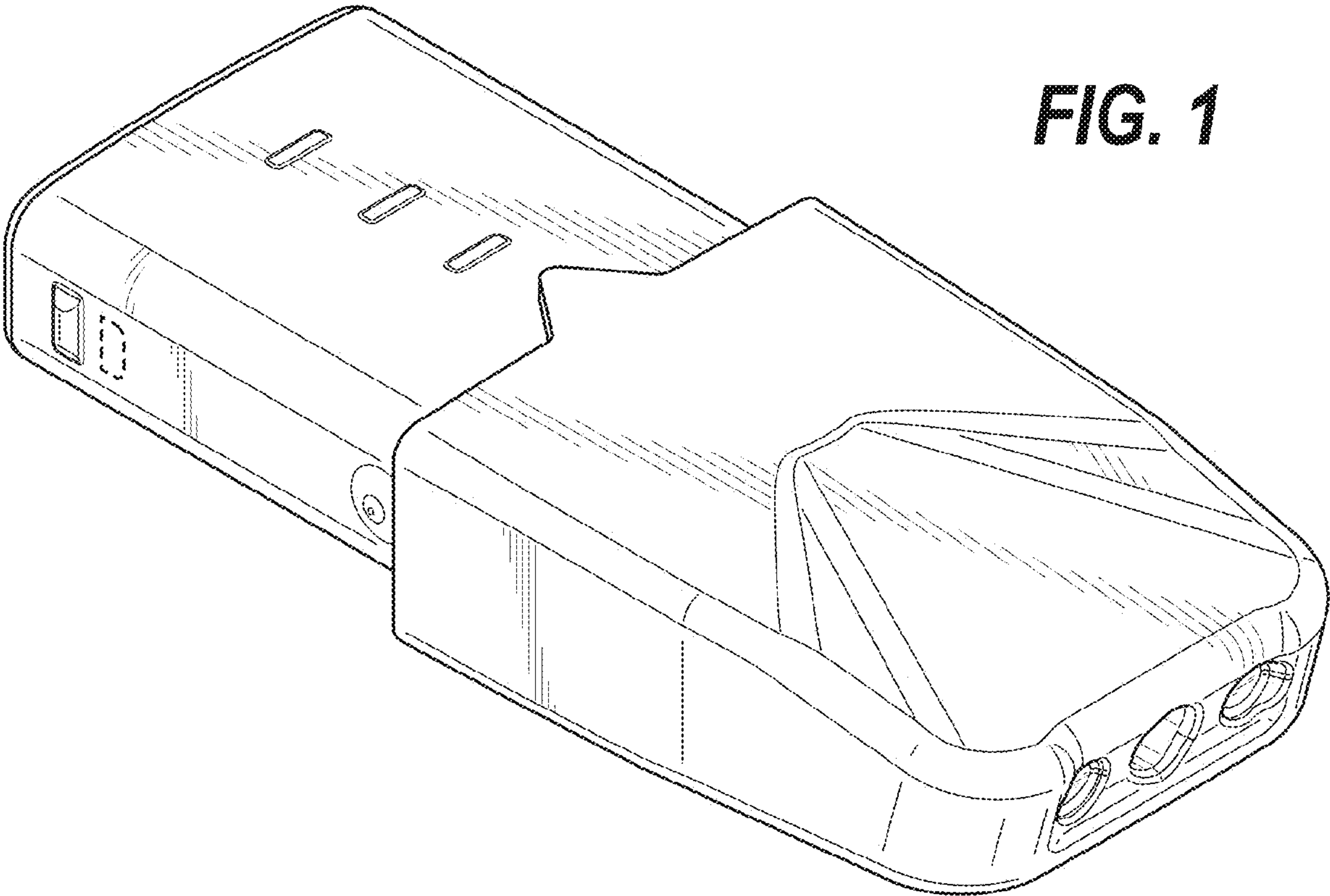


FIG. 1

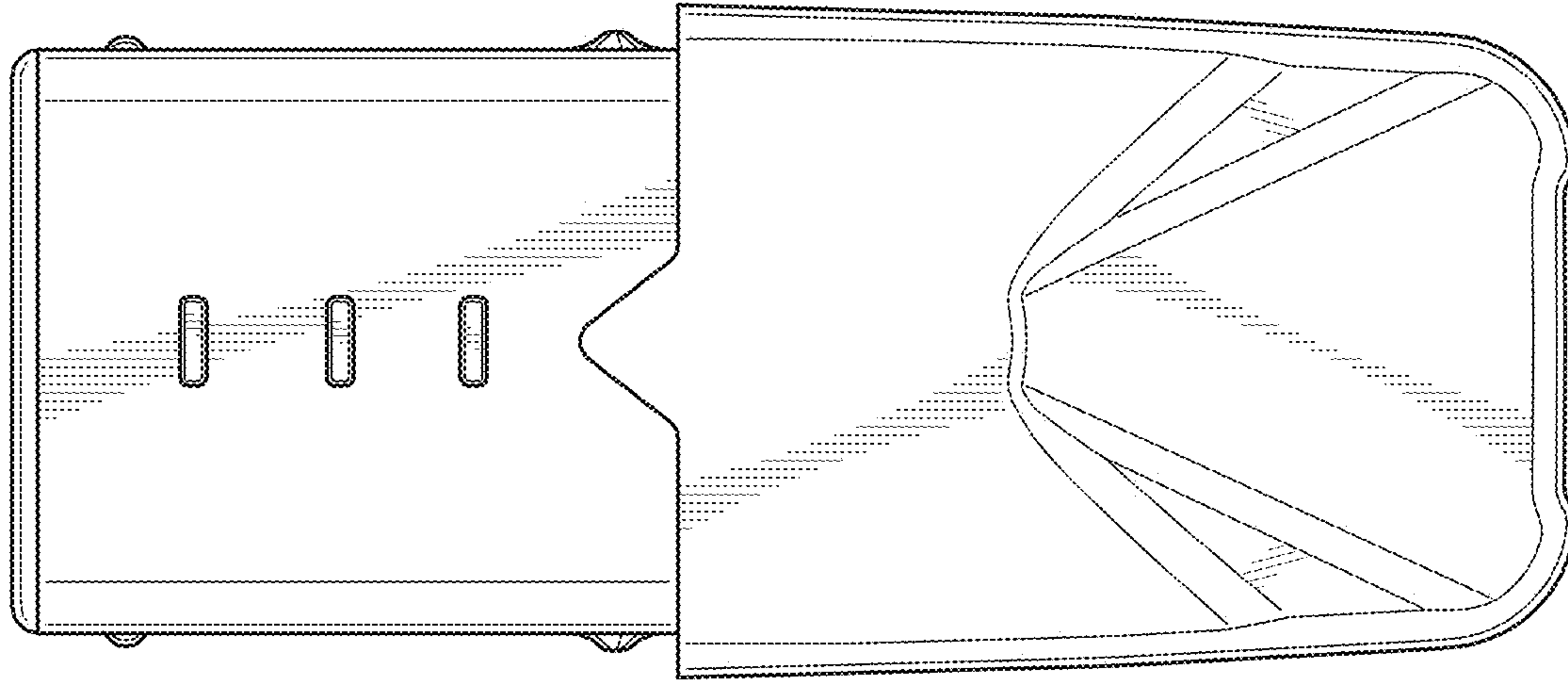


FIG. 2

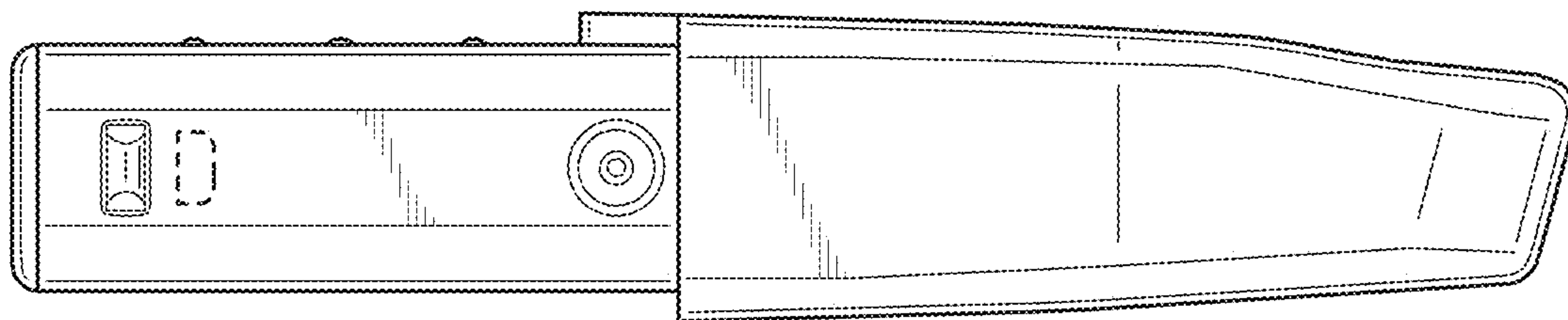


FIG. 3

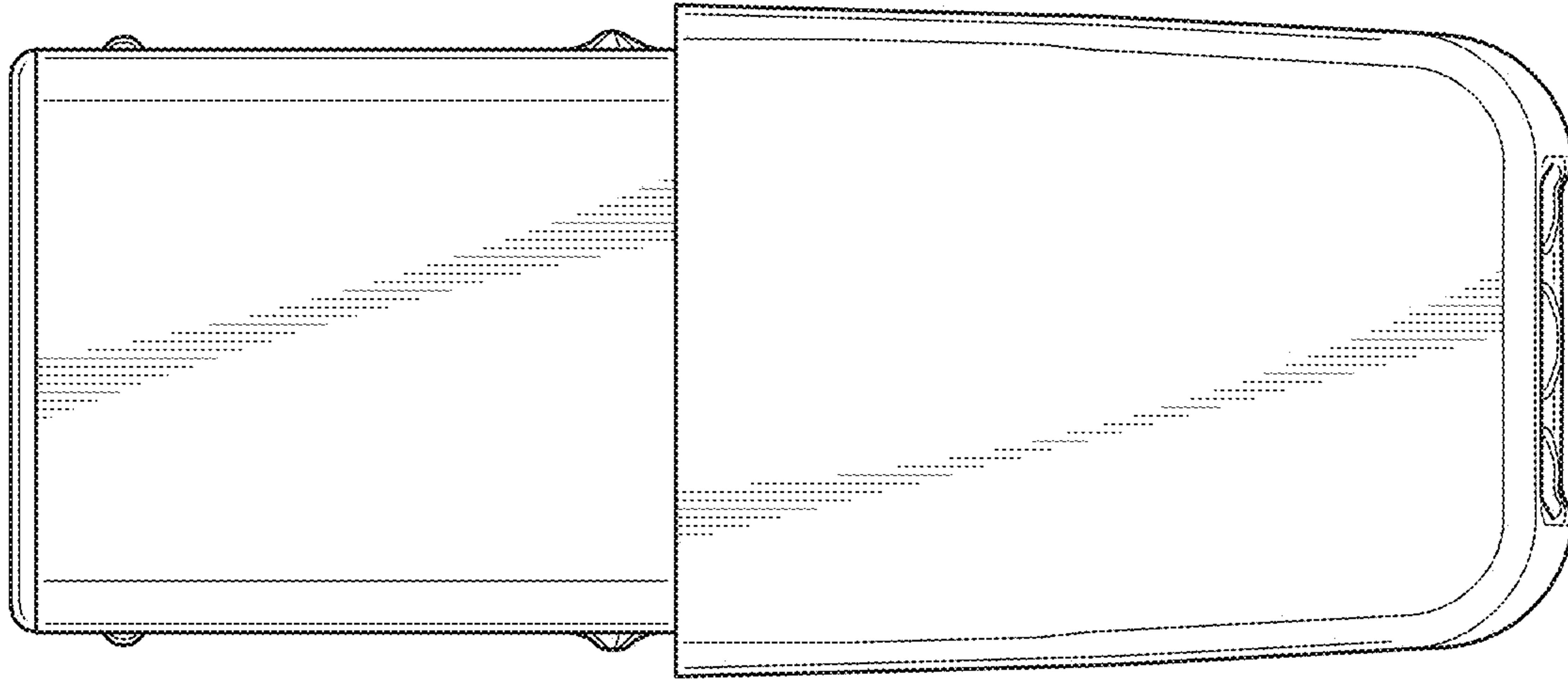


FIG. 4

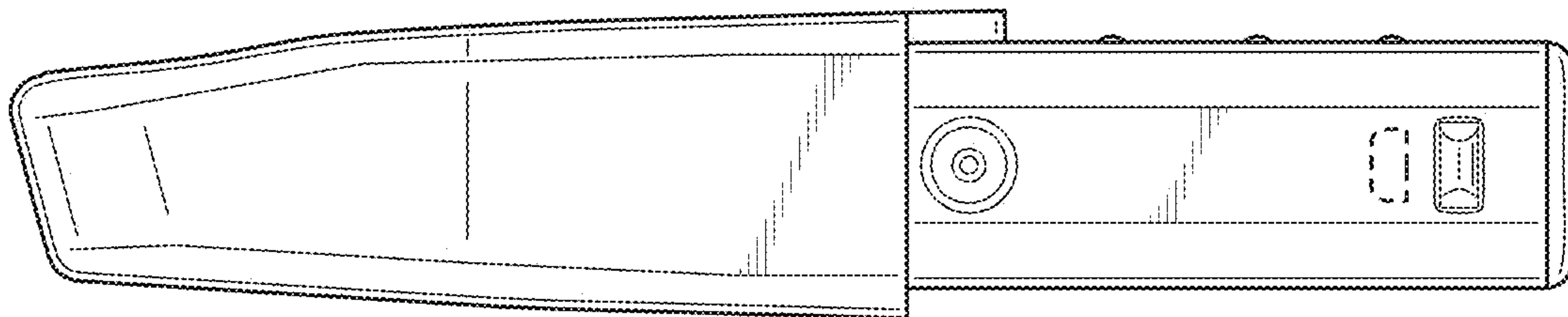


FIG. 5

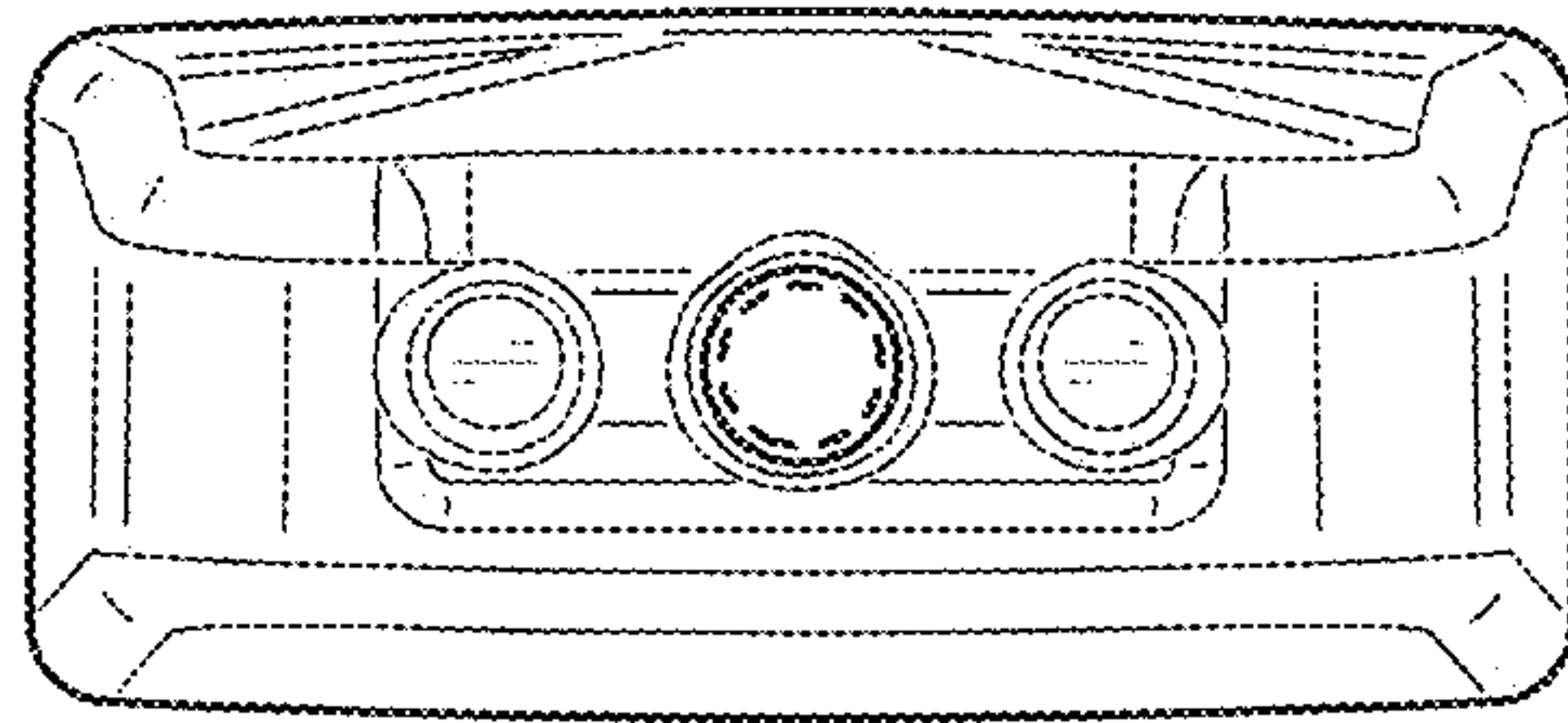


FIG. 6

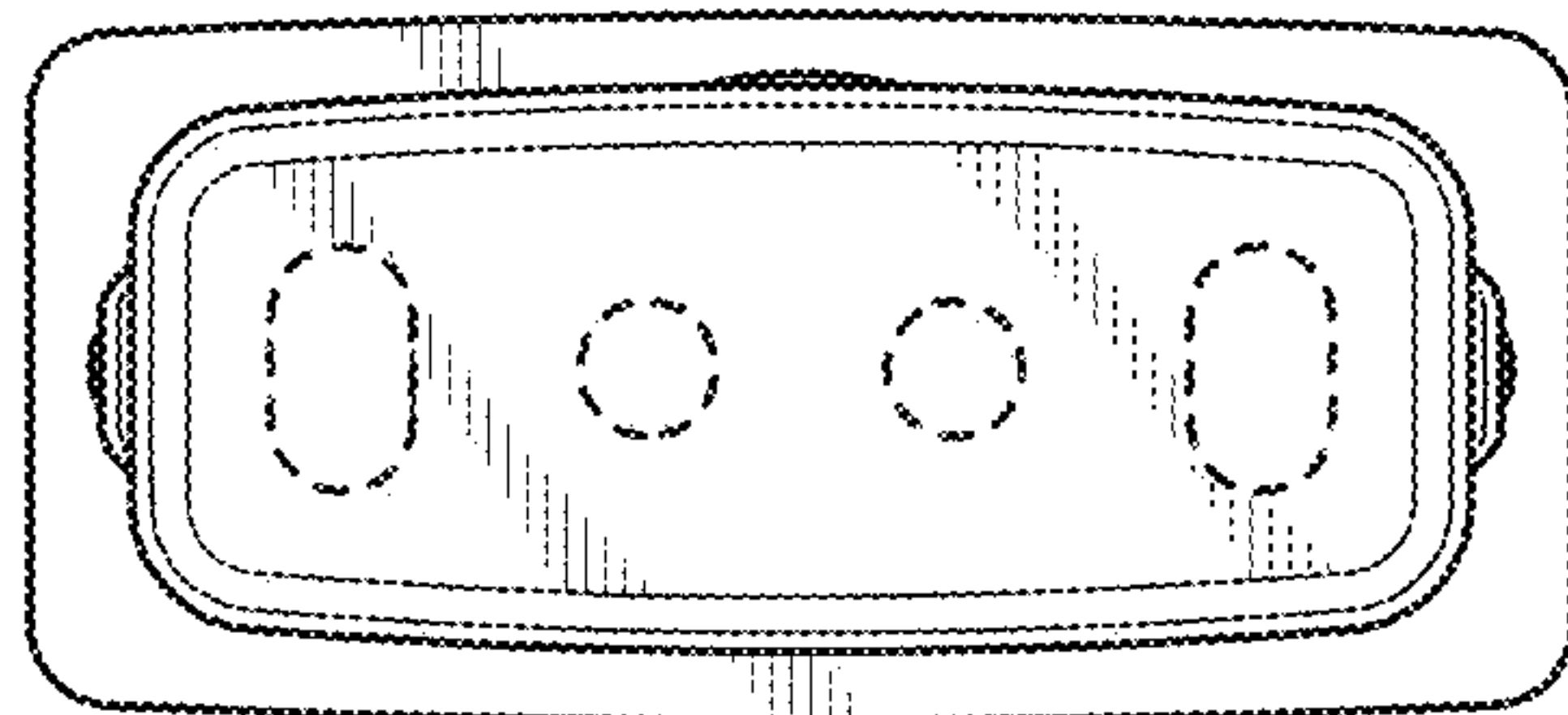


FIG. 7