



US00D954340S

(12) **United States Design Patent**
Liu et al.

(10) **Patent No.:** **US D954,340 S**
(45) **Date of Patent:** **** Jun. 7, 2022**

(54) **ELECTRONIC ATOMIZING DEVICE**

Primary Examiner — Marissa J Cash
Assistant Examiner — William B Melliar

(71) Applicant: **Shenzhen Smoore Technology Limited**, Shenzhen (CN)

(72) Inventors: **Yu Liu**, Shenzhen (CN); **Baosheng Lai**, Shenzhen (CN)

(57) **CLAIM**

(73) Assignee: **SHENZHEN SMOORE TECHNOLOGY LIMITED**, Shenzhen (CN)

The ornamental design for an electronic atomizing device assembly, as shown and described.

(**) Term: **15 Years**

DESCRIPTION

(21) Appl. No.: **29/736,109**

(22) Filed: **May 27, 2020**

(30) **Foreign Application Priority Data**

Dec. 24, 2019 (CN) 201930724239.7

(51) **LOC (13) Cl.** **27-07**

(52) **U.S. Cl.**
USPC **D27/162**

(58) **Field of Classification Search**
USPC D27/100–101, 162–196; D23/360, 362;
D28/91.1; D24/110, 110.4–110.6, 113
(Continued)

(56) **References Cited**

U.S. PATENT DOCUMENTS

D751,249 S * 3/2016 Chen D27/101
D779,115 S * 2/2017 Stoll D27/153
(Continued)

FOREIGN PATENT DOCUMENTS

CN 202030150559.9 * 9/2020
CN 202030470708.X * 3/2021
CN 202030566997.3 * 3/2021

OTHER PUBLICATIONS

Vapresso Target PM30—Quick Look. By Richard Vick. Dated May 17, 2020. Found online [Oct. 5, 2021]. <https://www.youtube.com/watch?v=PZ8FjZln3yw> (Year: 2020).*

FIG. 1 is a perspective view of an electronic atomizing device assembly shown in an assembled configuration of use according to a first embodiment;
FIG. 2 is another perspective view thereof;
FIG. 3 is a front elevational view thereof;
FIG. 4 is a rear elevational view thereof;
FIG. 5 is a left side elevational view thereof;
FIG. 6 is a right side elevational view thereof;
FIG. 7 is a top plan view thereof;
FIG. 8 is a bottom plan view thereof;
FIG. 9 is a perspective view of the electronic atomizing device assembly shown in FIG. 1, in an opening state;
FIG. 10 is a perspective view of an electronic atomizing device assembly showing a first component removed from the assembly in FIGS. 1-8 for clarity of disclosure;
FIG. 11 is another perspective view thereof;
FIG. 12 is a front elevational view thereof;
FIG. 13 is a rear elevational view thereof;
FIG. 14 is a left side elevational view thereof;
FIG. 15 is a right side elevational view thereof;
FIG. 16 is a top plan view thereof;
FIG. 17 is a bottom plan view thereof;
FIG. 18 is a perspective view of an electronic atomizing device assembly showing a second component removed from the assembly in FIGS. 1-8 for clarity of disclosure;
FIG. 19 is another perspective view thereof;
FIG. 20 is a front elevational view thereof;
FIG. 21 is a rear elevational view thereof;
FIG. 22 is a left side elevational view thereof;
FIG. 23 is a right side elevational view thereof;
FIG. 24 is a top plan view thereof;

(Continued)

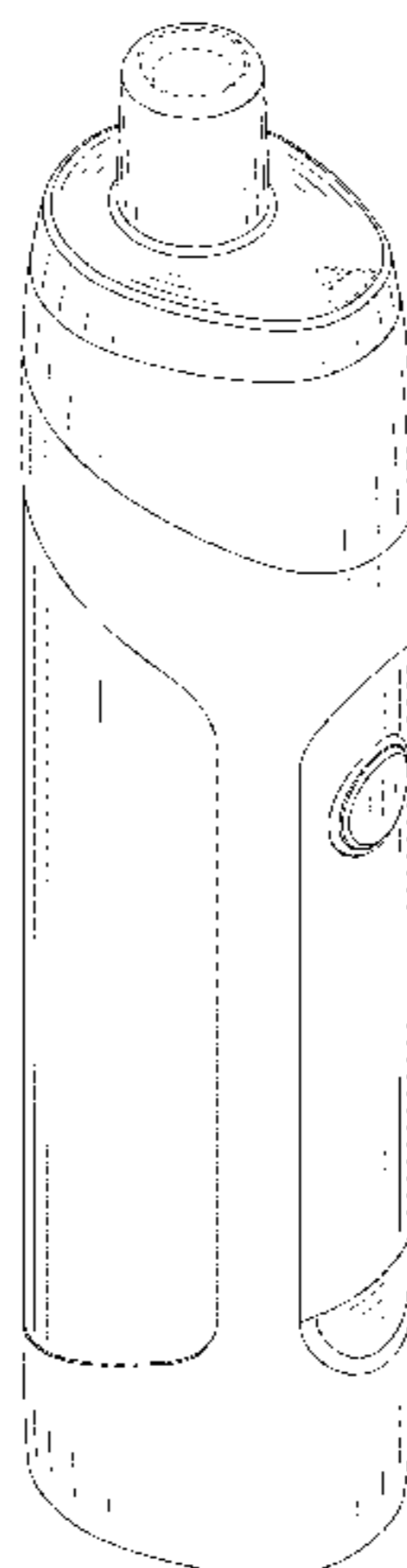


FIG. 25 is a bottom plan view thereof;
 FIG. 26 is a perspective view of an electronic atomizing device assembly shown in an assembled configuration of use according to a second embodiment;
 FIG. 27 is another perspective view thereof;
 FIG. 28 is a front elevational view thereof;
 FIG. 29 is a rear elevational view thereof;
 FIG. 30 is a left side elevational view thereof;
 FIG. 31 is a right side elevational view thereof;
 FIG. 32 is a top plan view thereof;
 FIG. 33 is a bottom plan view thereof;
 FIG. 34 is a perspective view of an electronic atomizing device assembly showing a first component removed from the assembly in FIGS. 26-33 for clarity of disclosure;
 FIG. 35 is another perspective view thereof;
 FIG. 36 is a front elevational view thereof;
 FIG. 37 is a rear elevational view thereof;
 FIG. 38 is a left side elevational view thereof;
 FIG. 39 is a right side elevational view thereof;
 FIG. 40 is a top plan view thereof; and,
 FIG. 41 is a bottom plan view thereof.

The broken lines in the drawings depict portions of the electronic atomizing device assembly that form no part of the claimed design.

The shade lines in the figures show contour and not surface ornamentation.

The oblique shade lines in the drawings indicate transparency

1 Claim, 41 Drawing Sheets

(58) Field of Classification Search

CPC A24F 40/10; A24F 40/46; A24F 40/485; A24F 40/40; A24F 40/44; A24F 40/42; A24F 40/48; A24F 40/05; A24F 40/60; A24F 40/70; A24F 15/015; A24F 40/49; A24F 40/50; A24F 40/465; A24F 7/00; A24F 1/00; A24F 1/02; A24F 1/32; A24F 40/20; A24F 40/30; A24F 40/51; A24F 40/57; A24F 40/95; A24F 7/02; A24F 9/16; A24F 40/90; A24F 40/53; A24F 40/65; A24F 47/00; A24F 15/01; A24F 40/00; A24F 13/00; A24F 13/14; A24F 15/18; A24F 40/85; A24F 42/80; A24F 42/60; A24F 2700/03; A24F 1/28; A24F 42/00; A24F 42/10; A24F 42/20; A24F 7/04; A61M 11/042; A61M 15/06; A61M 2205/8206; A61M 2202/0468; A61M 15/0021; A61M 2205/3653; A61M

11/005; A61M 11/04; A61M 15/0001; A61M 2202/0007; A61M 2205/3368; A61M 11/02; A61M 15/002; A61M 15/0025; A61M 15/0065; A61M 15/0066; A61M 15/0085; A61M 2016/0021; A61M 2205/3592; A61M 2205/6018; A61M 35/003; A61M 35/25; A61M 11/00; A61M 11/003; A61M 11/006; A61M 11/007; A61M 11/041; A61M 11/044; A61M 15/00; A61M 15/0003; A61M 15/0006; A61M 15/001; A61M 15/0023; A61M 15/0035; A61M 16/06; A61M 16/142; A61M 2016/0027; A61M 2016/0036; A61M 2016/0039; A61M 21/02; A61M 2202/04; A61M 2205/0205; A61M 2205/0233; A61M 2205/0238; A61M 2205/0288; A61M 2205/051; A61M 2205/07; A61M 2205/103; A61M 2205/12; A61M 2205/13; A61M 2205/18; A61M 2205/3317; A61M 2205/3327; A61M 2205/3331; A61M 2205/3337; A61M 2205/3372; A61M 2205/3375; A61M 2205/3553; A61M 2205/3561; A61M 2205/3569; A61M 2205/3584; A61M 2205/42; A61M 2205/50; A61M 2205/505; A61M 2205/52; A61M 2205/581; A61M 2205/583; A61M 2205/59; A61M 2205/6009; A61M 2205/6054; A61M 2205/6063; A61M 2205/82; A61M 2205/8243; A61M 2205/8262; A61M 2206/14; A61M 2206/16; A61M 2206/18; A61M 2207/00; A61M 2209/045; A61M 2209/086; A61M 2209/10; A61M 2210/04; A61M 2210/0612; A61M 2230/005; A61M 2230/42; A61M 2230/65; A61M 2240/00; A61M 35/00; A61M 35/30; A61M 39/24

See application file for complete search history.

(56)

References Cited

U.S. PATENT DOCUMENTS

D889,740	S	*	7/2020	Beer	D27/194
D928,941	S	*	8/2021	Cammish	D24/113
D928,942	S	*	8/2021	Cammish	D24/113
D929,647	S	*	8/2021	Liu	D27/162
D932,096	S	*	9/2021	Liu	D27/162
D943,154	S	*	2/2022	Liu	D27/162
2018/0310628	A1	*	11/2018	Qiu	A24F 40/485

* cited by examiner

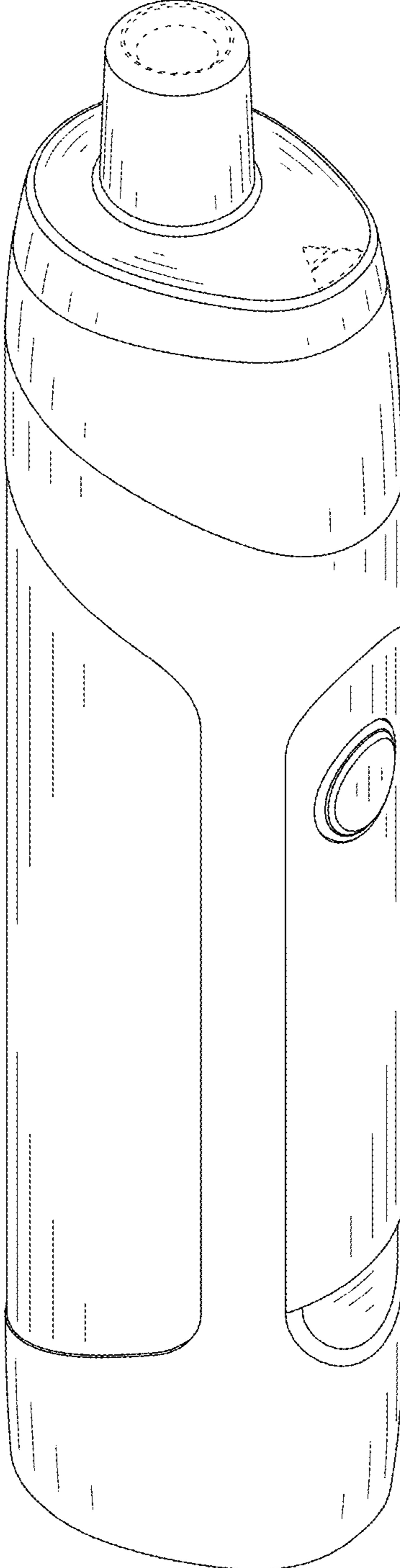


FIG. 1

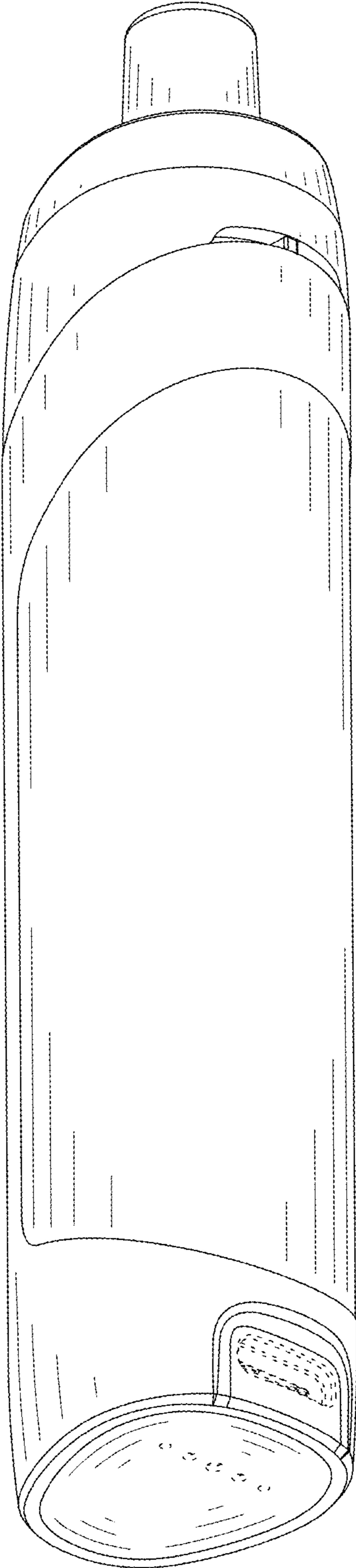


FIG. 2

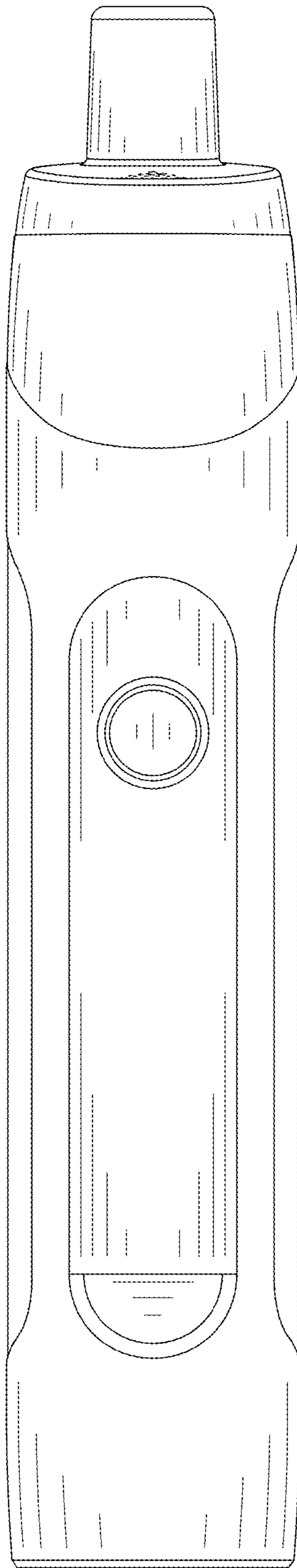


FIG. 3

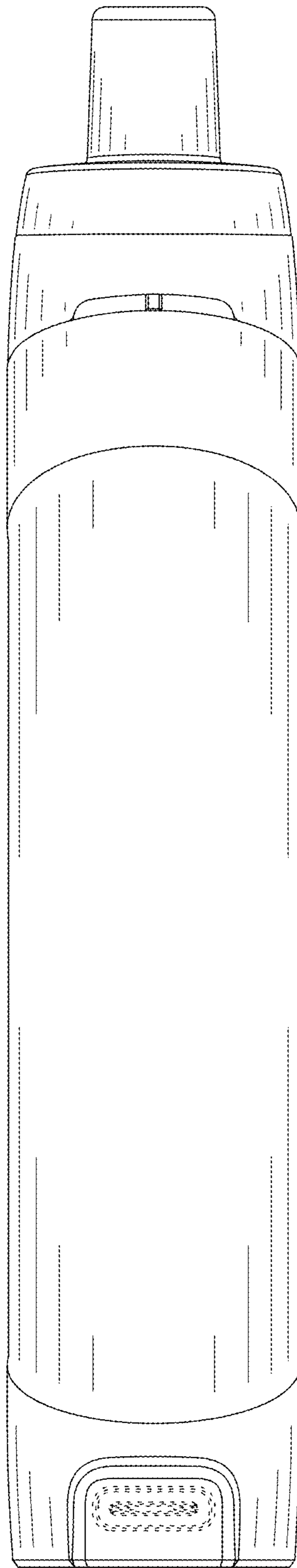


FIG. 4

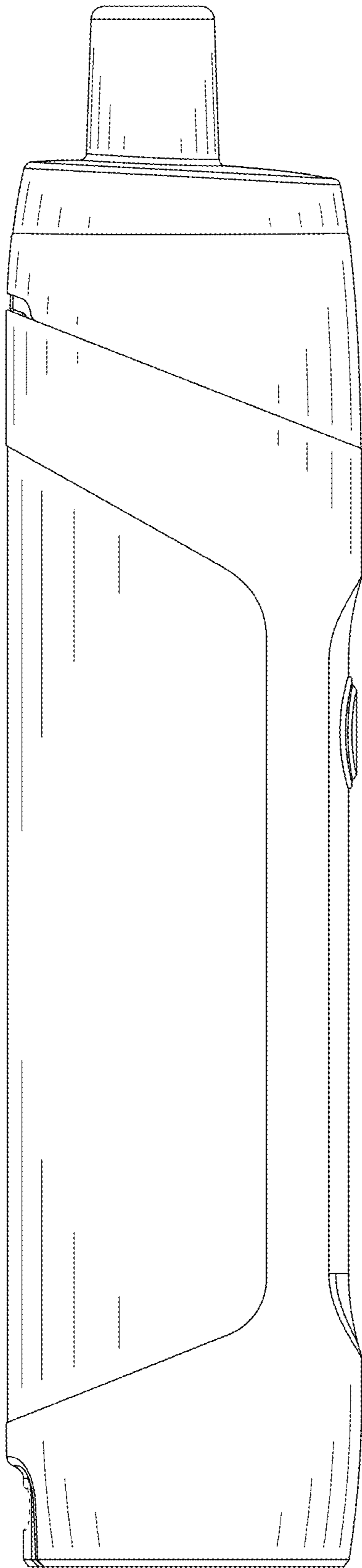


FIG. 5

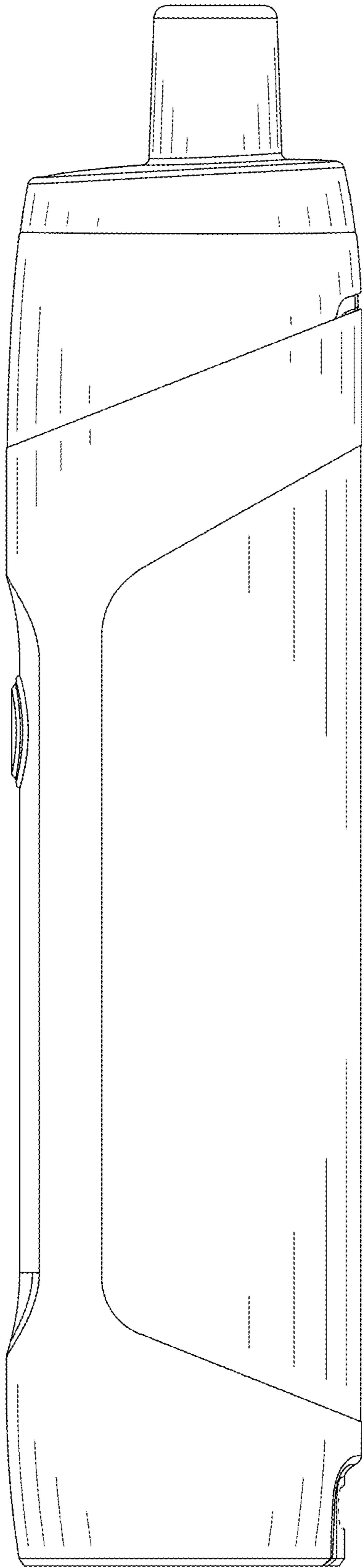


FIG. 6

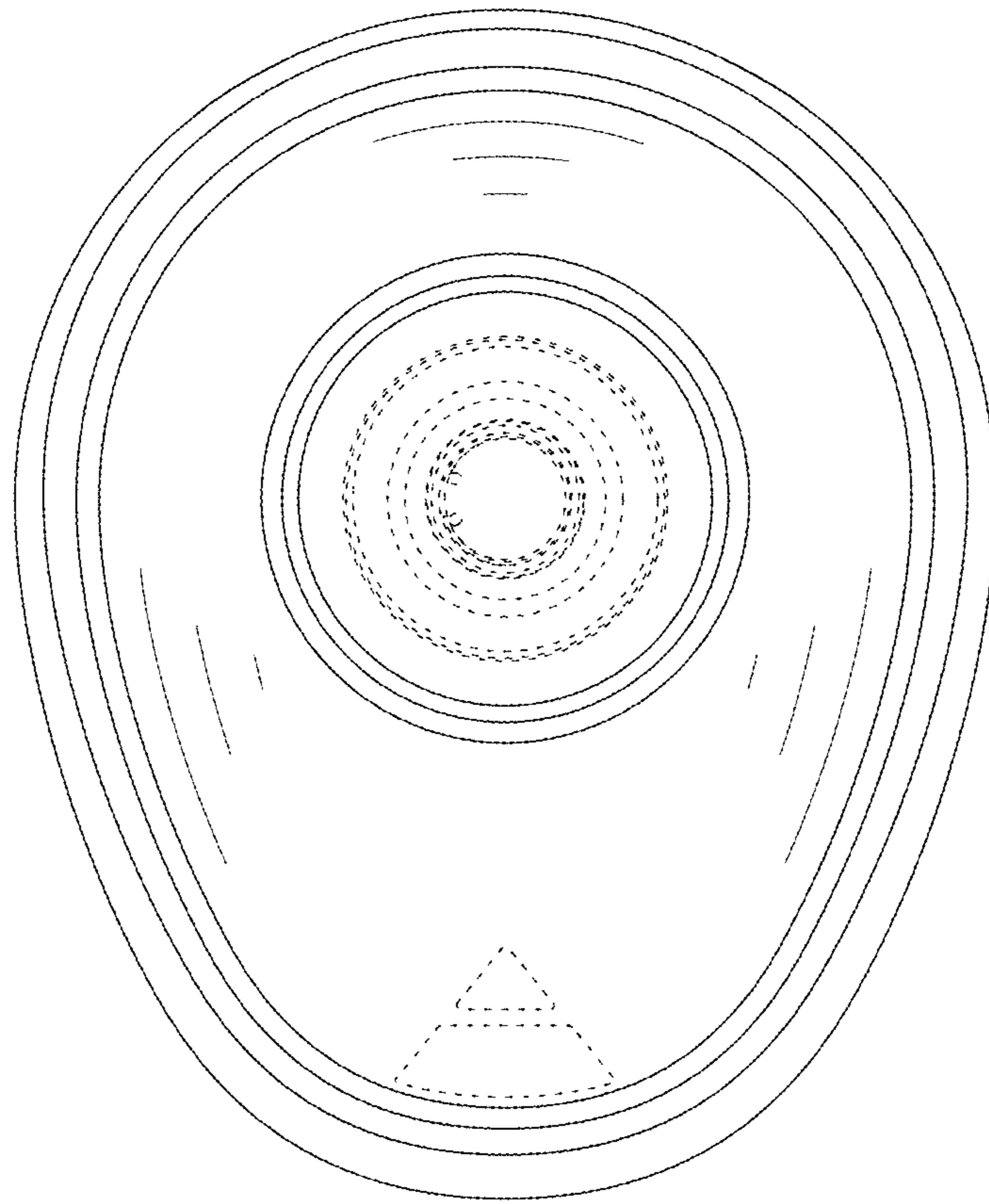


FIG. 7

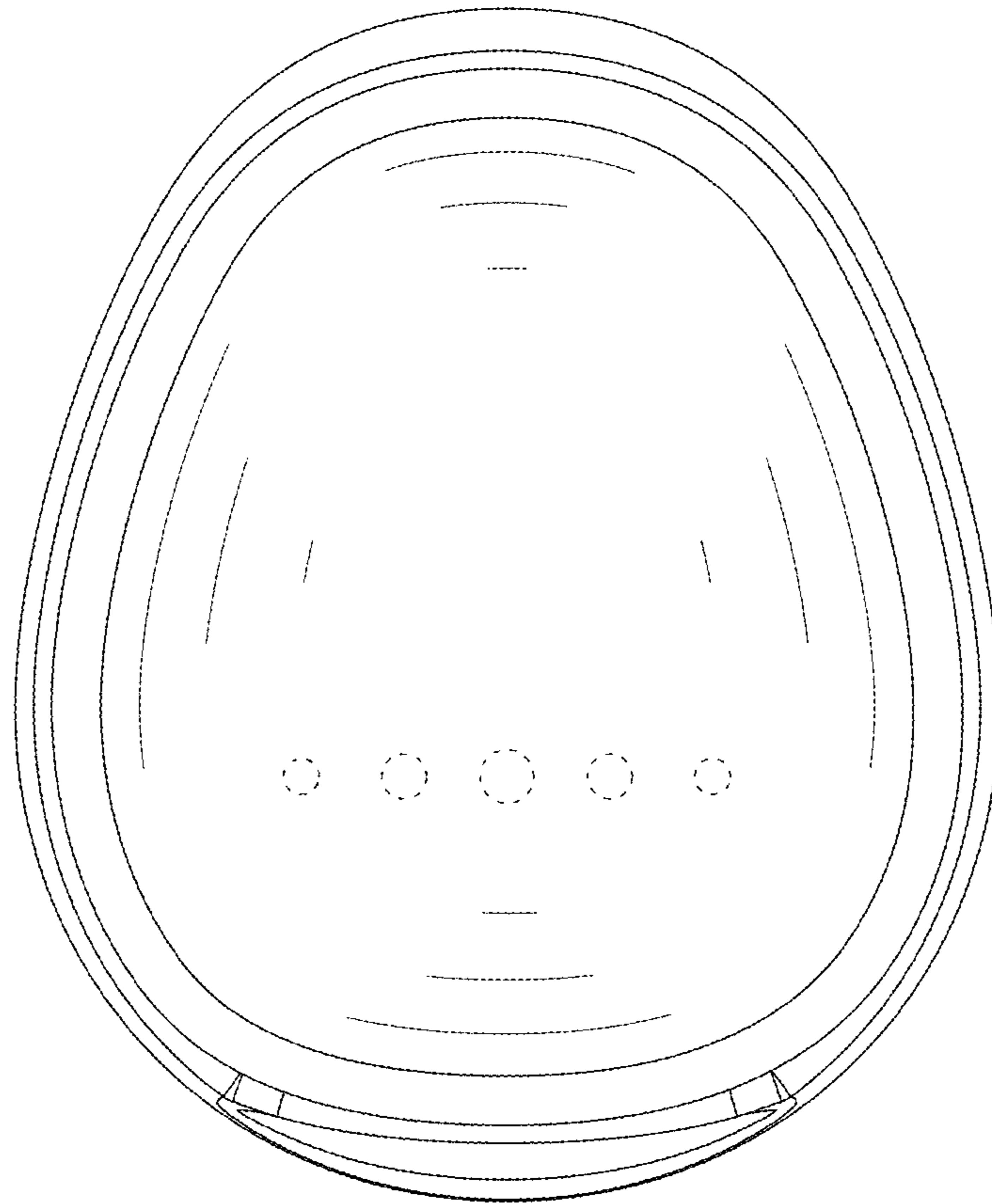


FIG. 8

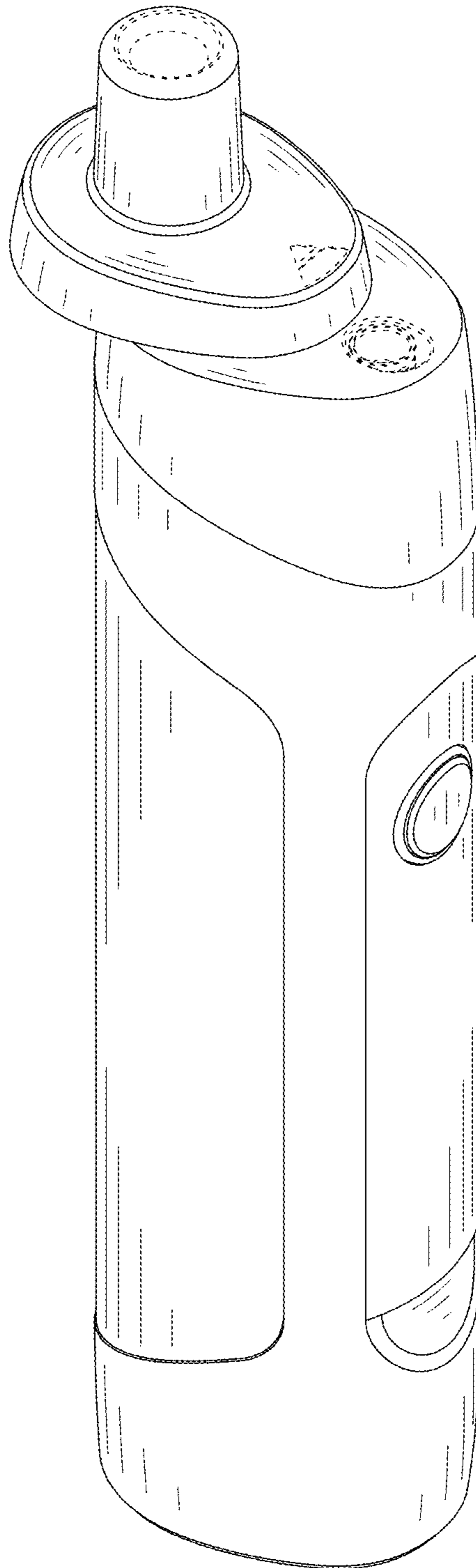


FIG. 9

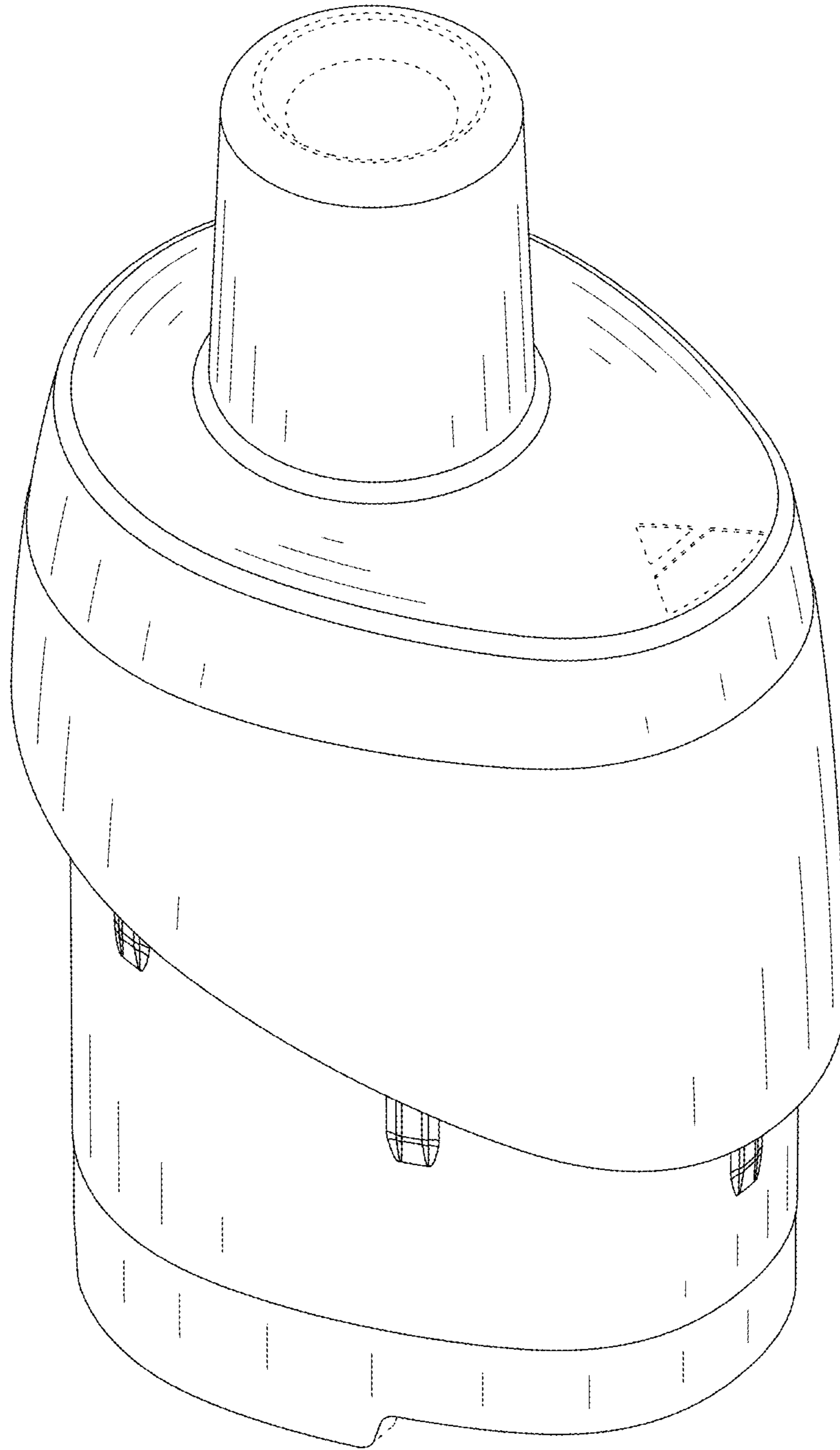


FIG. 10

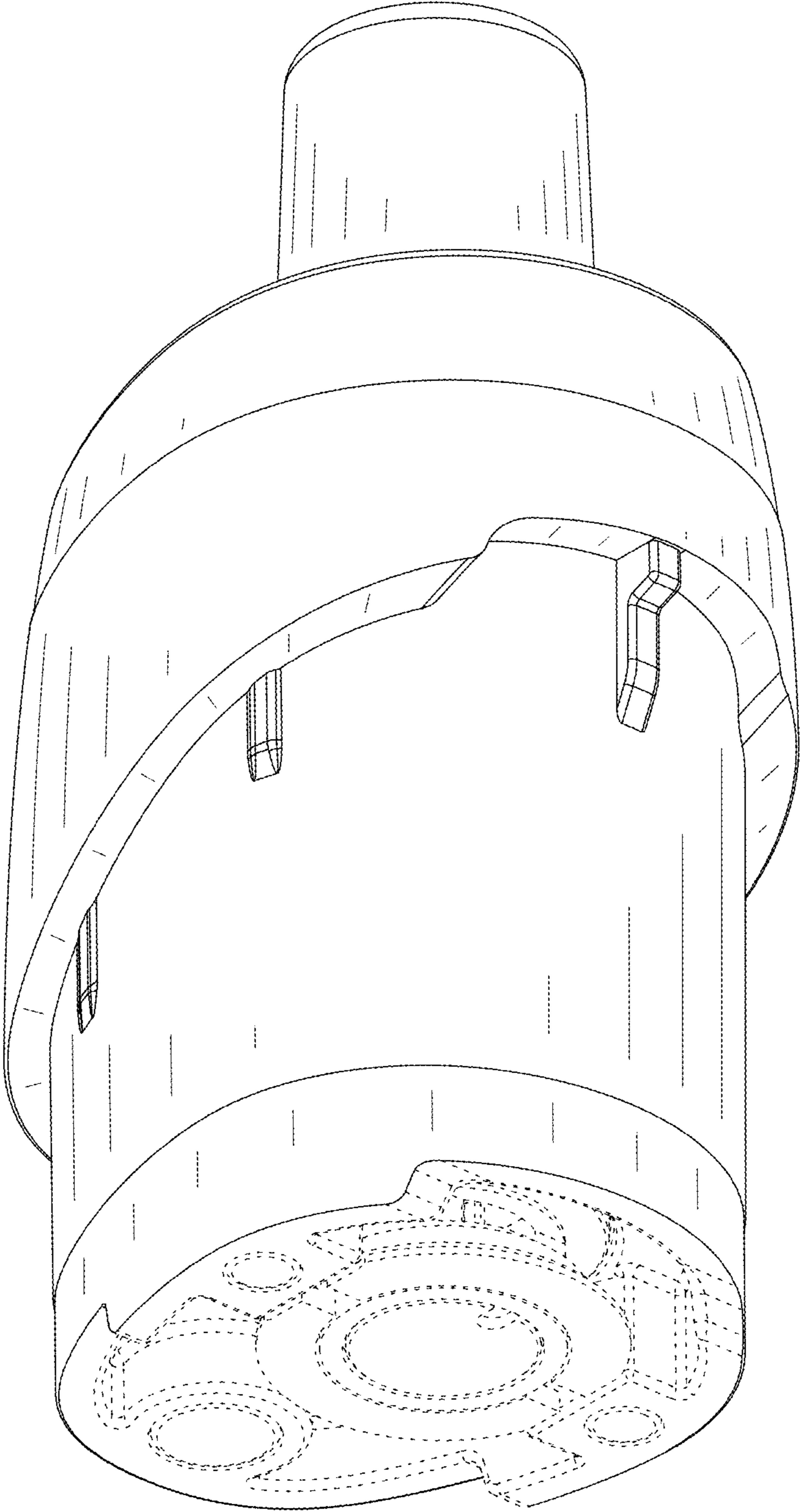


FIG. 11

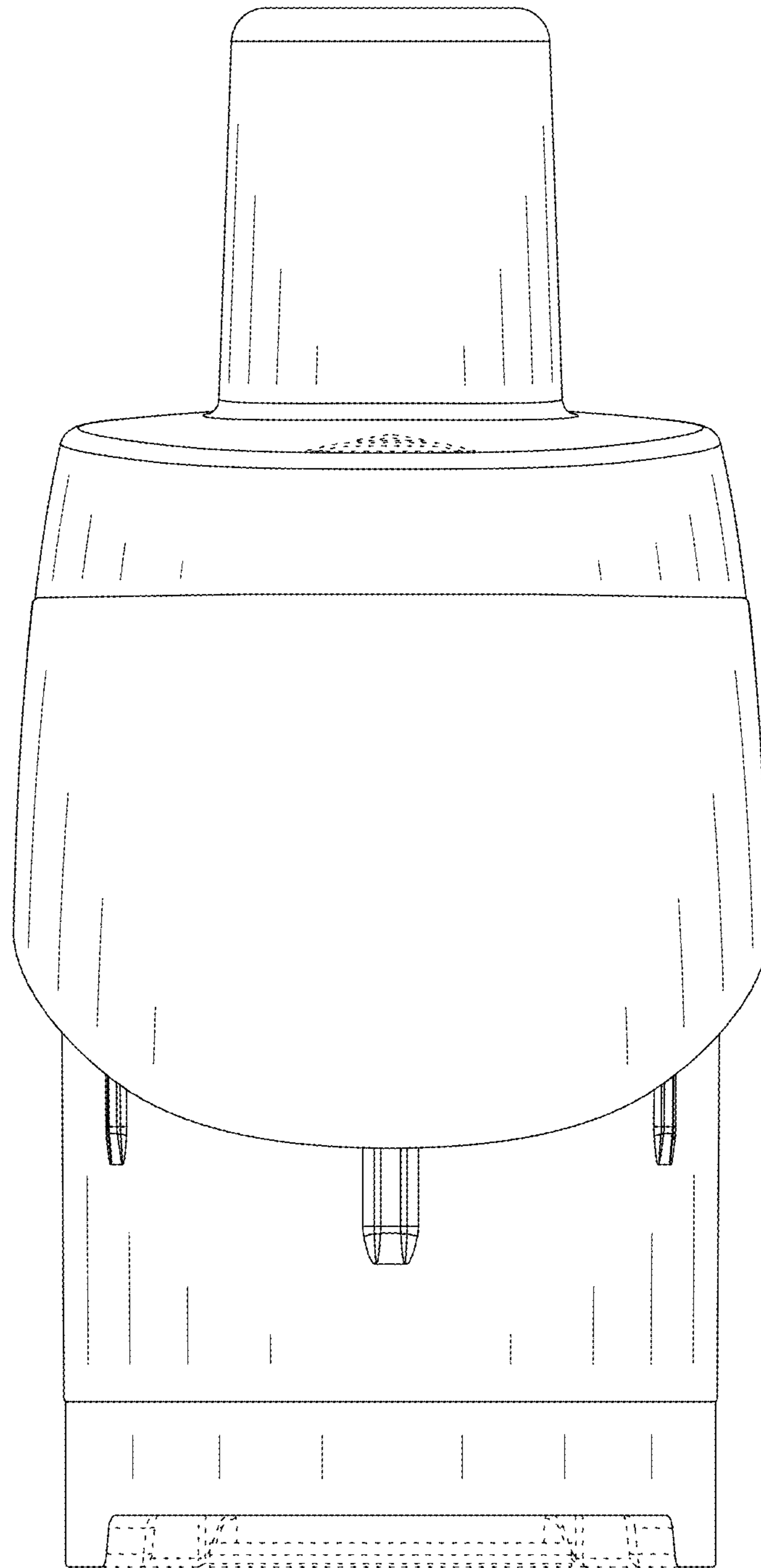


FIG. 12

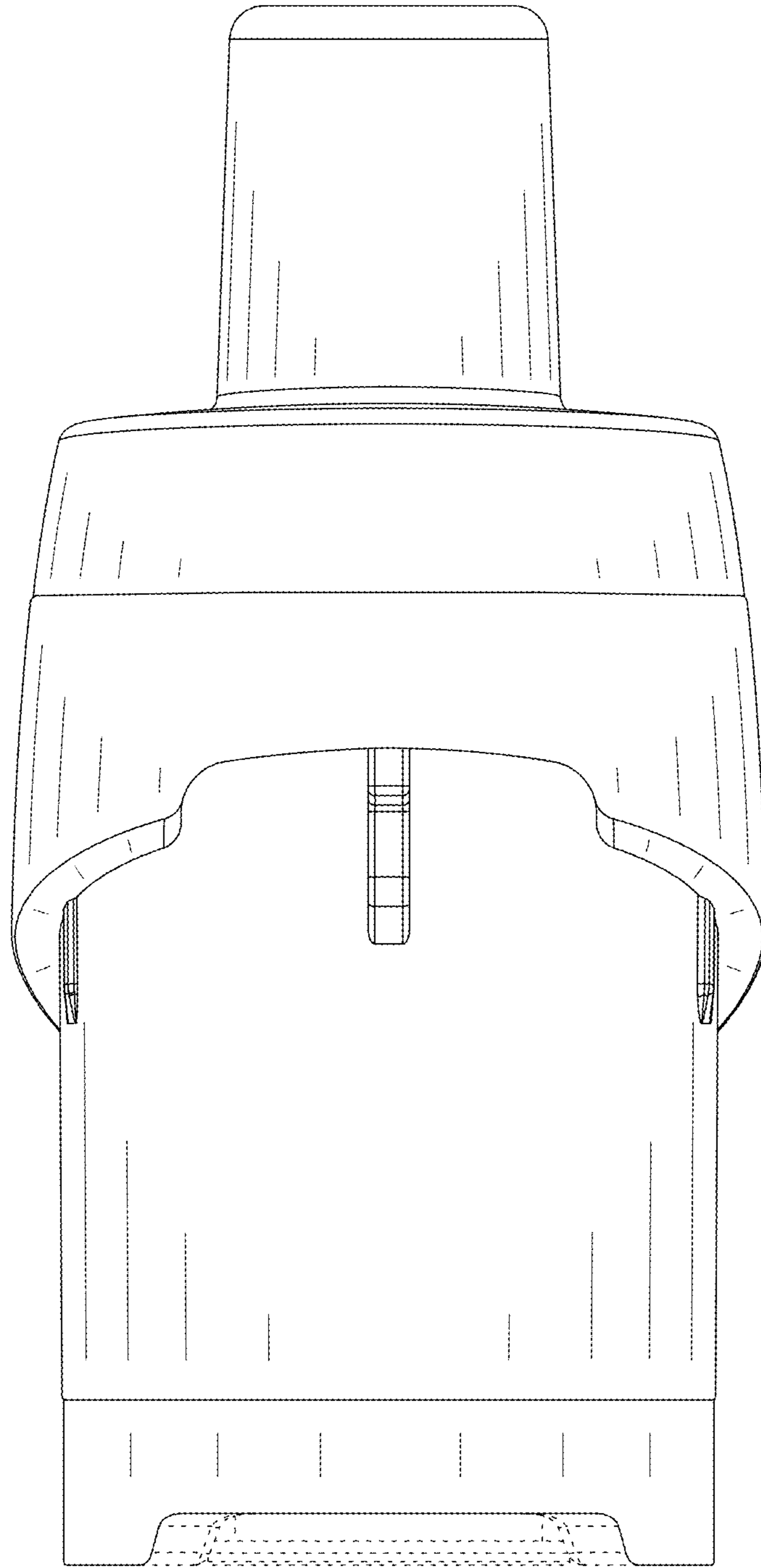


FIG. 13

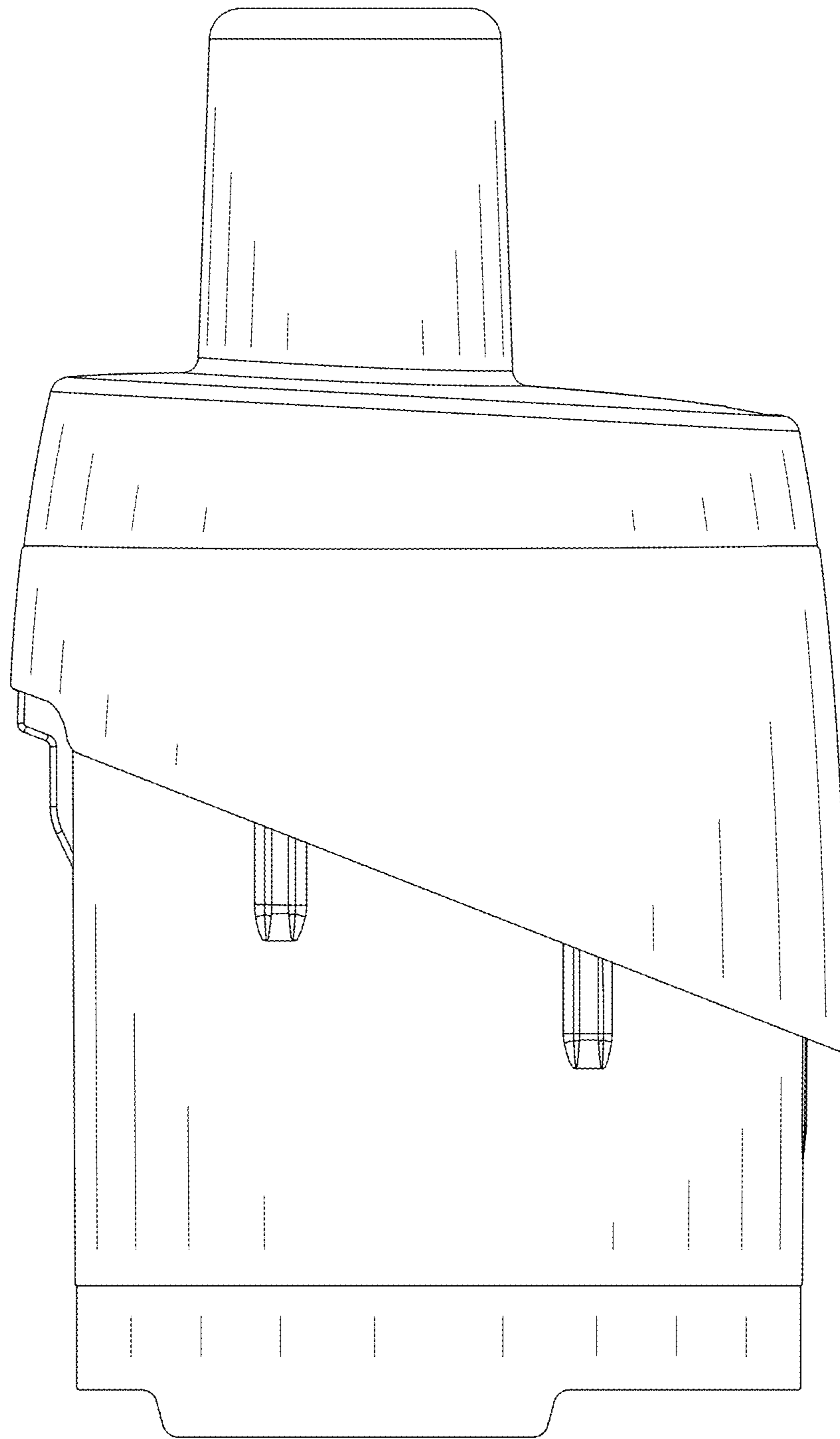


FIG. 14

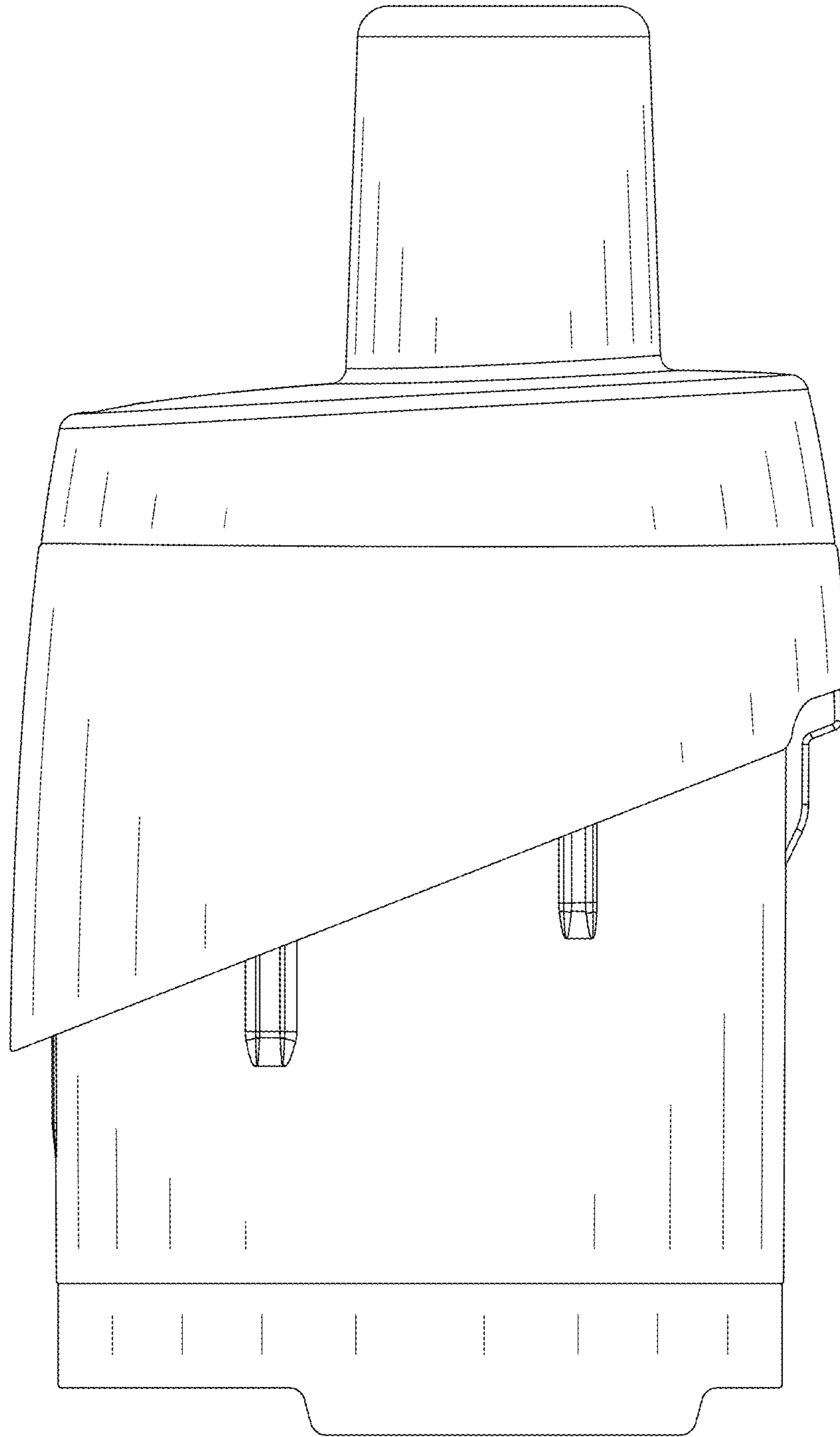


FIG. 15

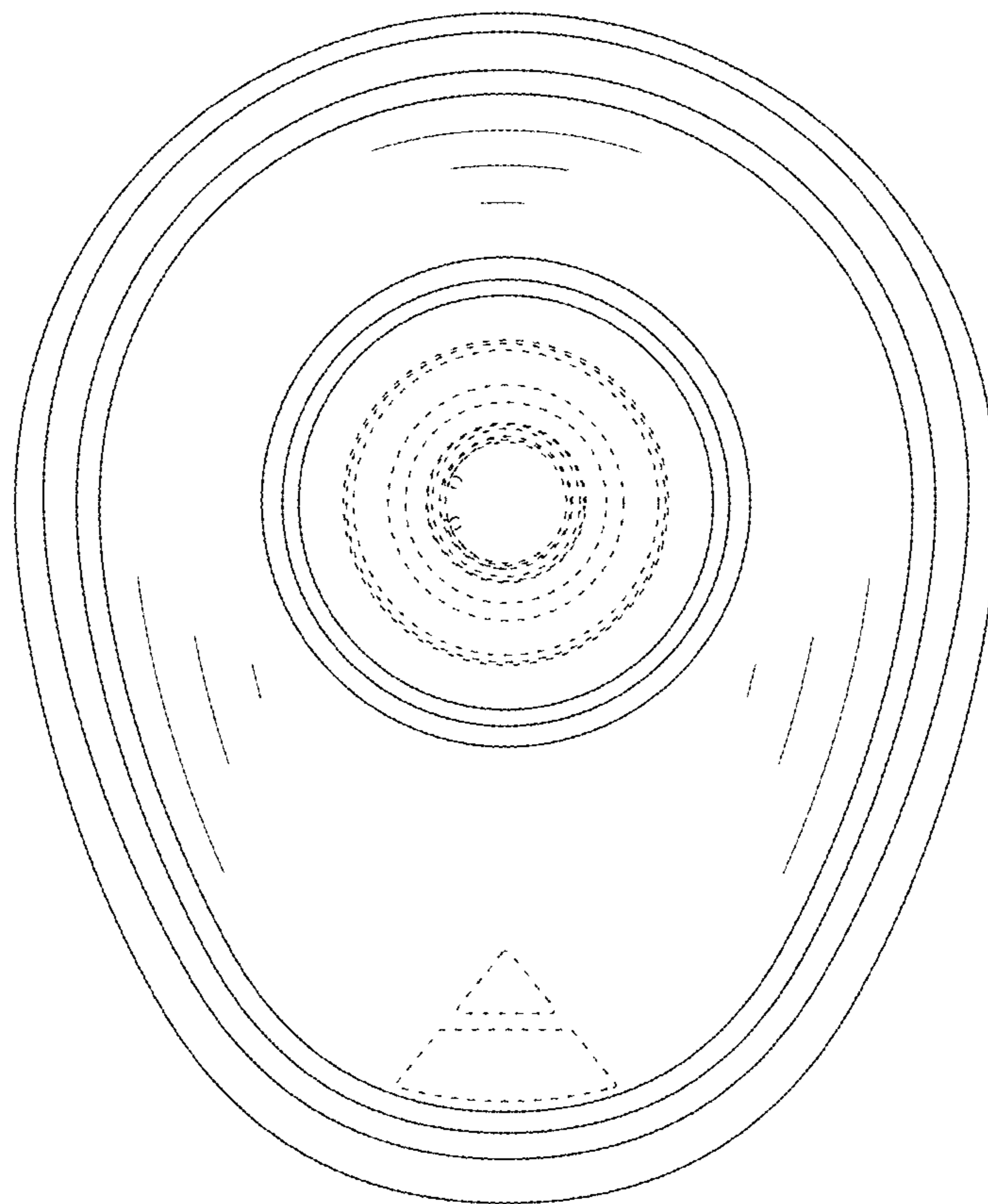


FIG. 16

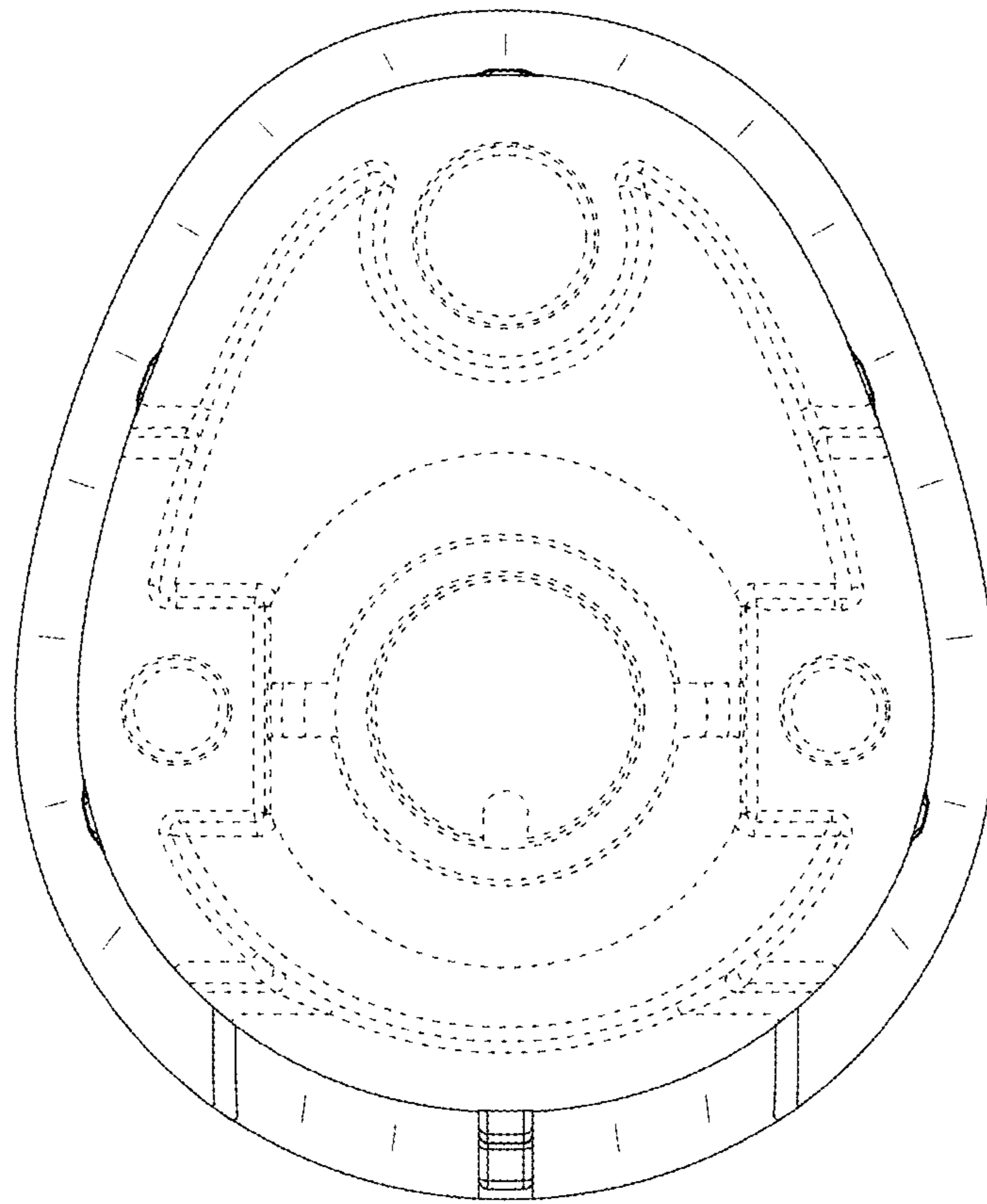


FIG. 17

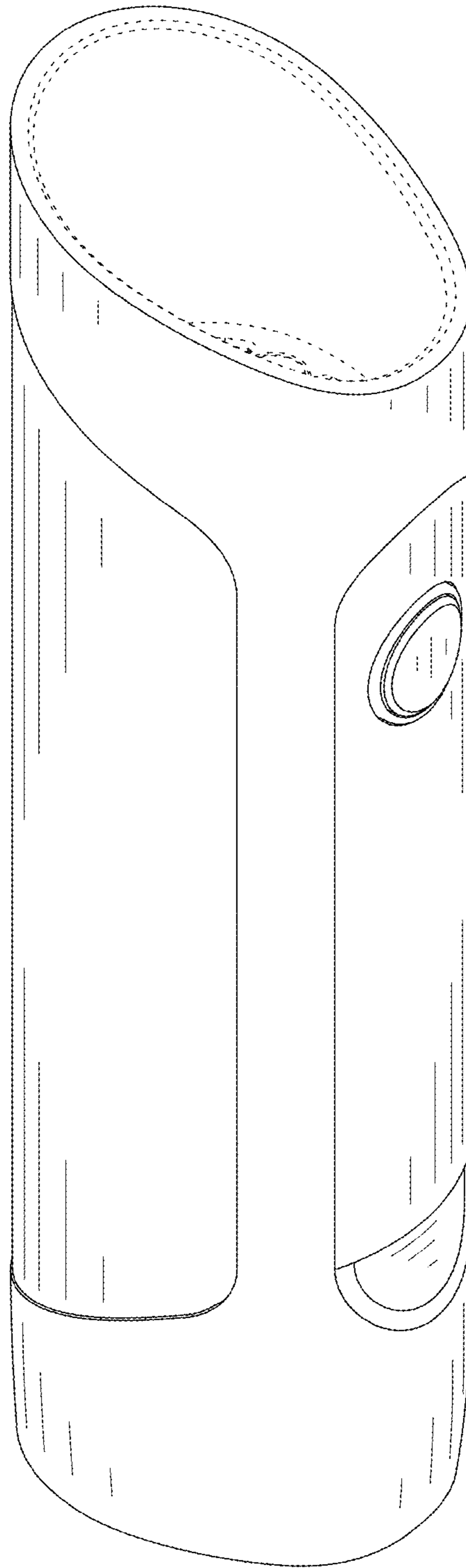


FIG. 18

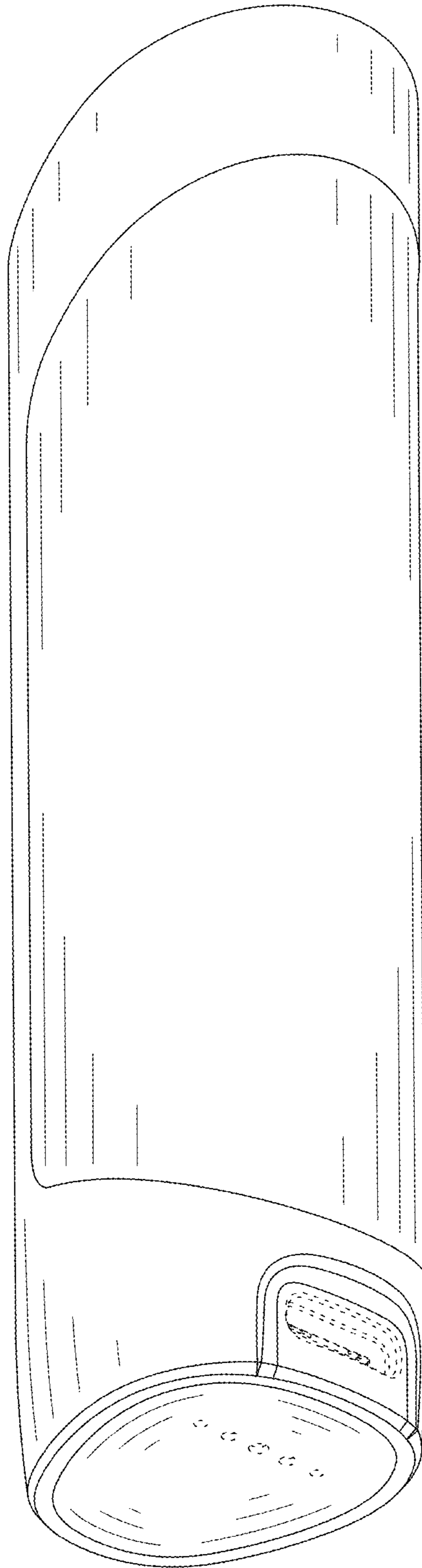


FIG. 19

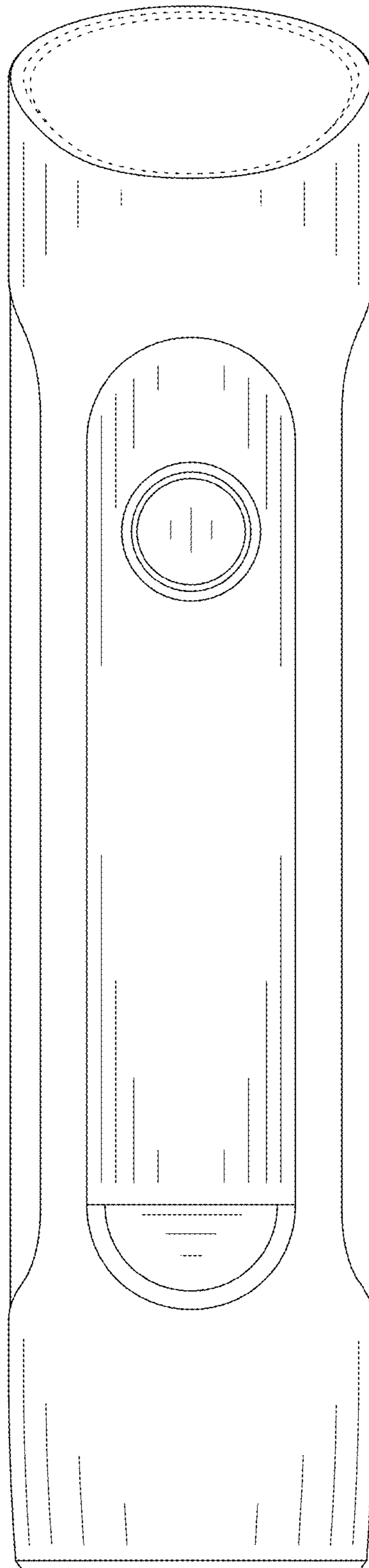


FIG. 20

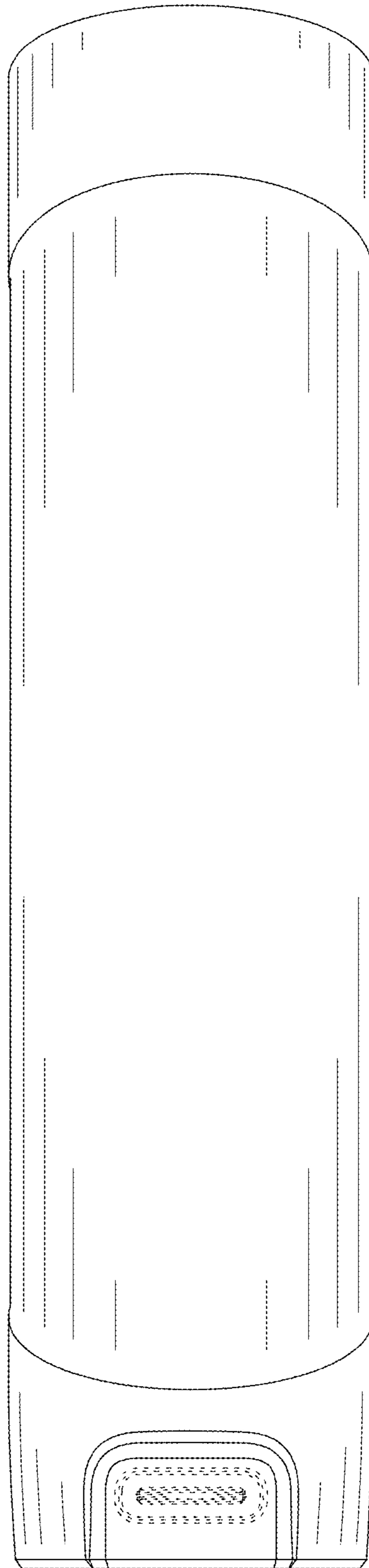


FIG. 21

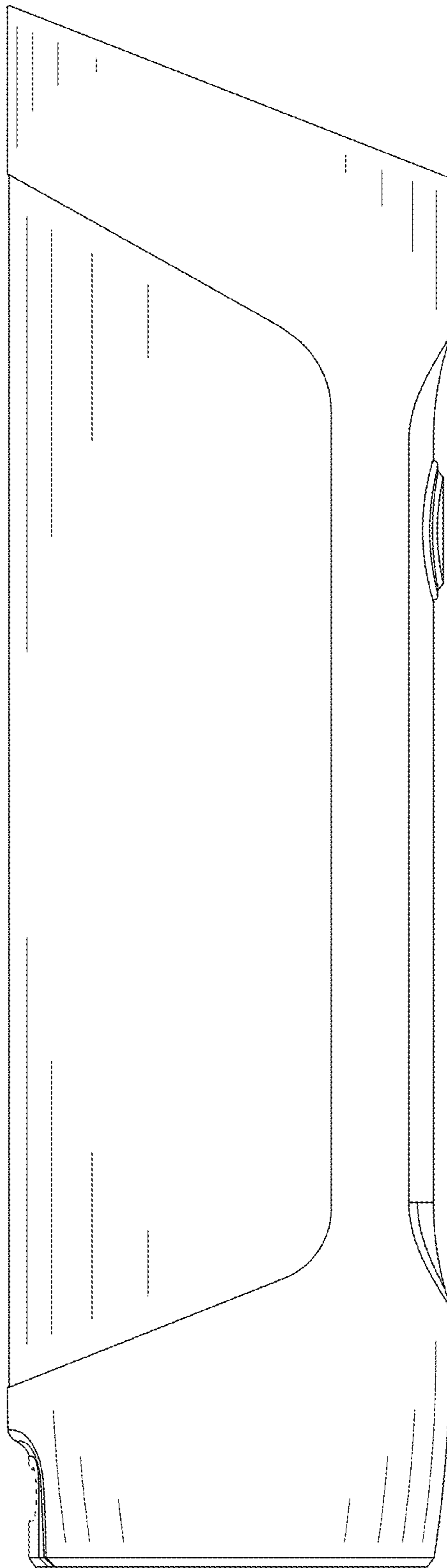


FIG. 22

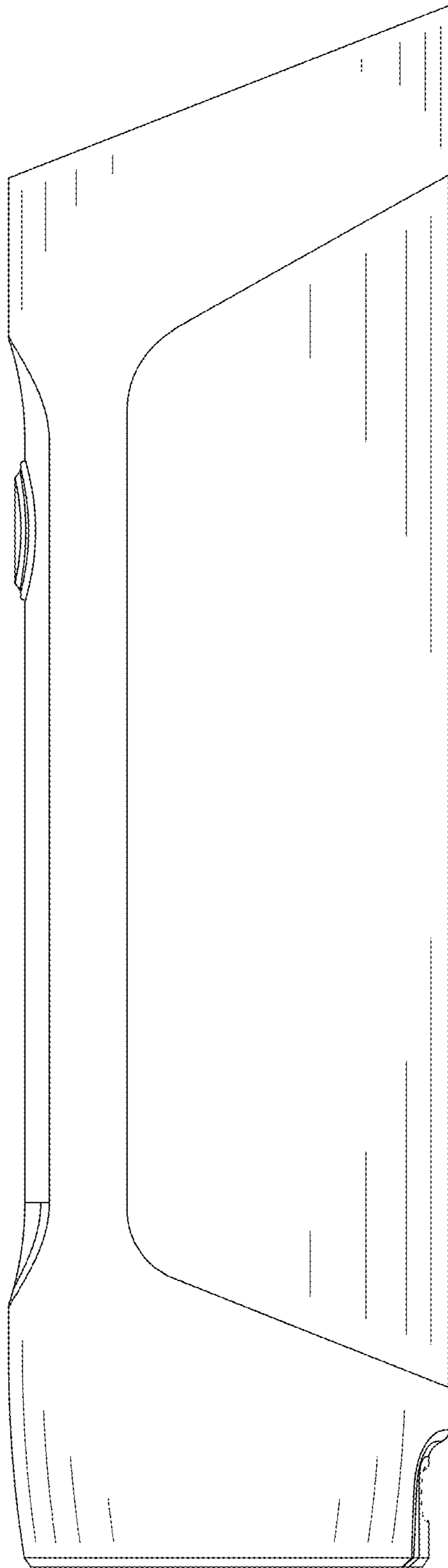


FIG. 23

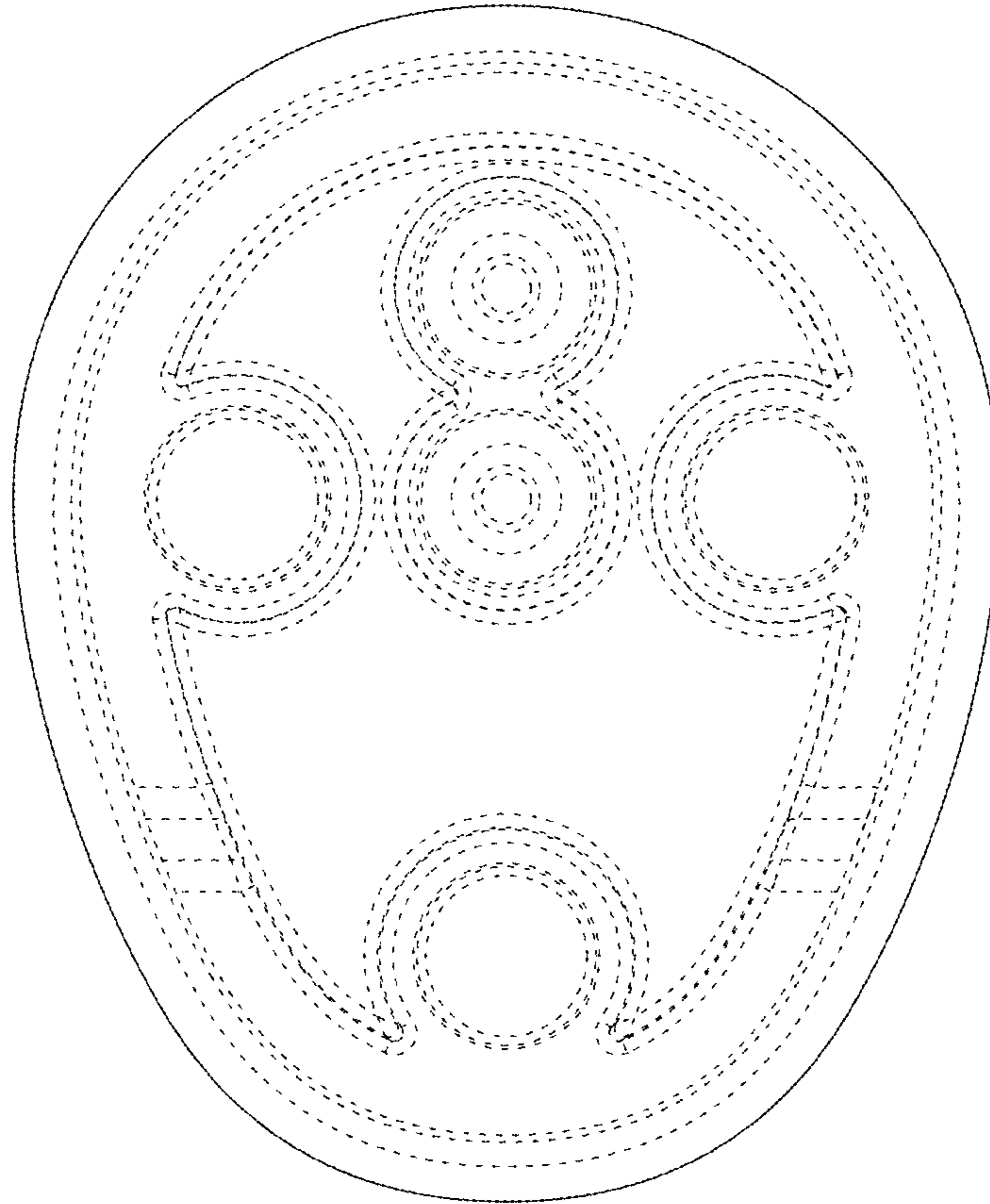


FIG. 24

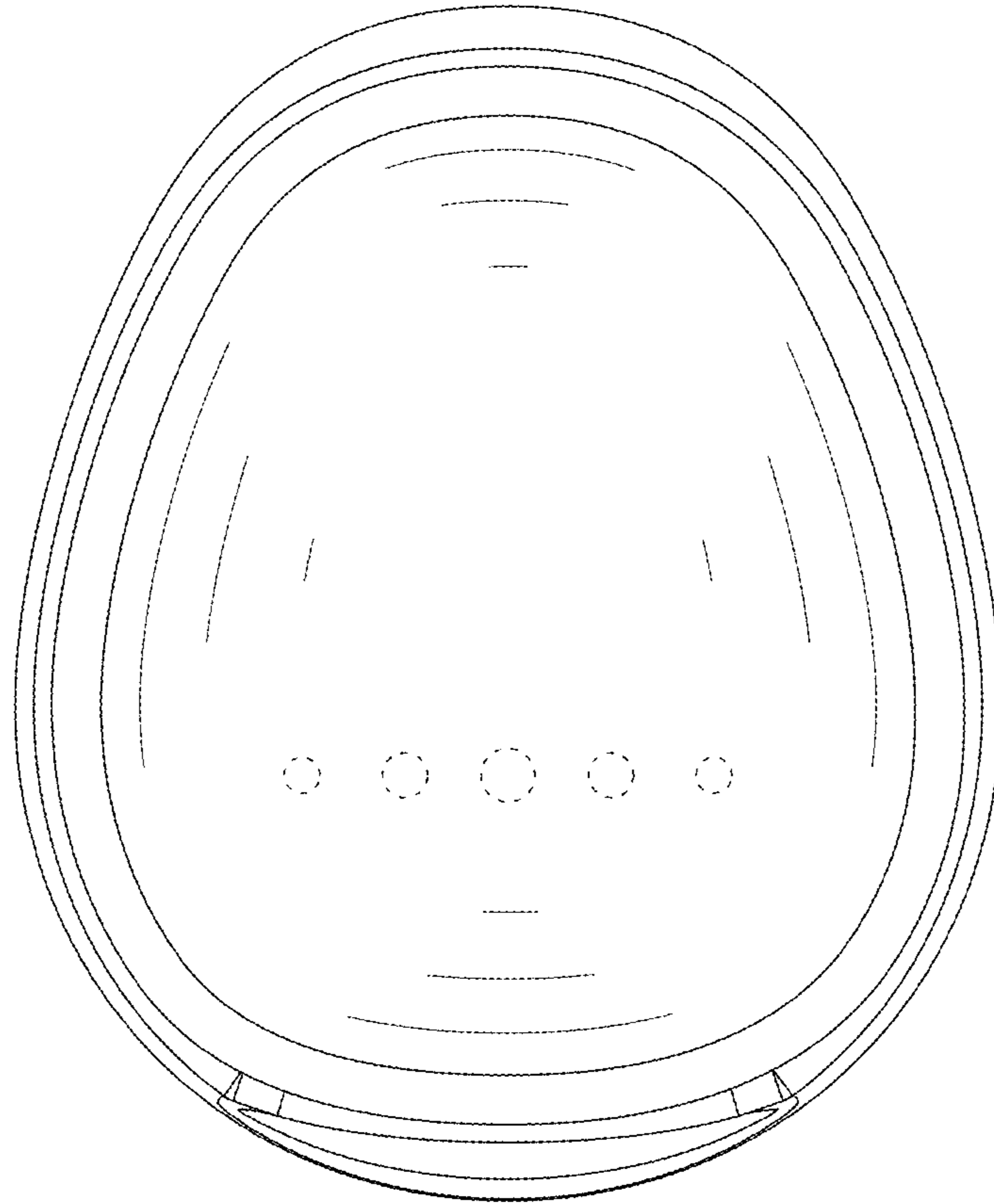


FIG. 25

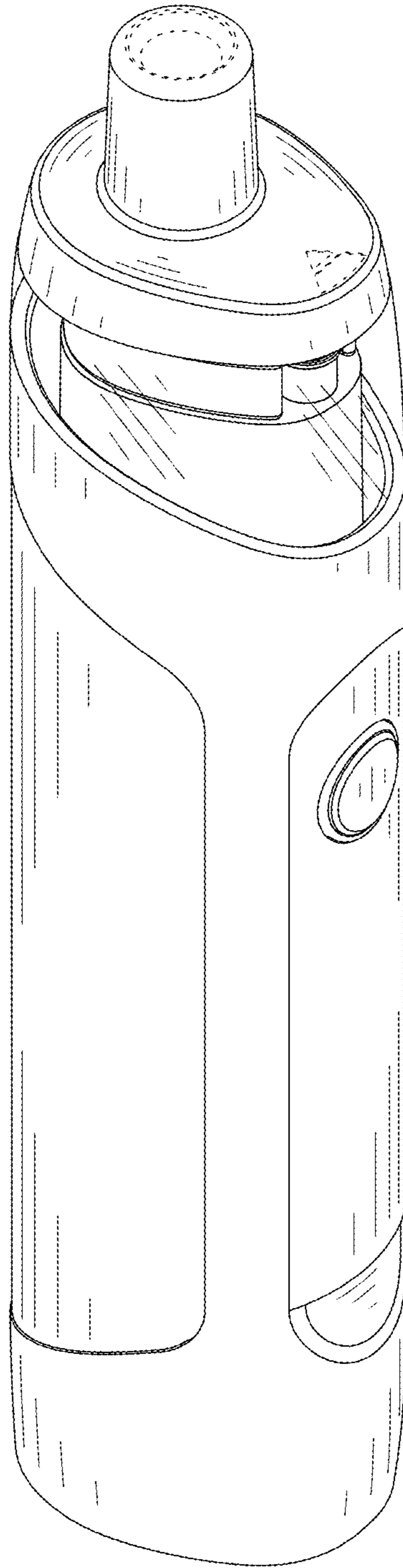


FIG. 26

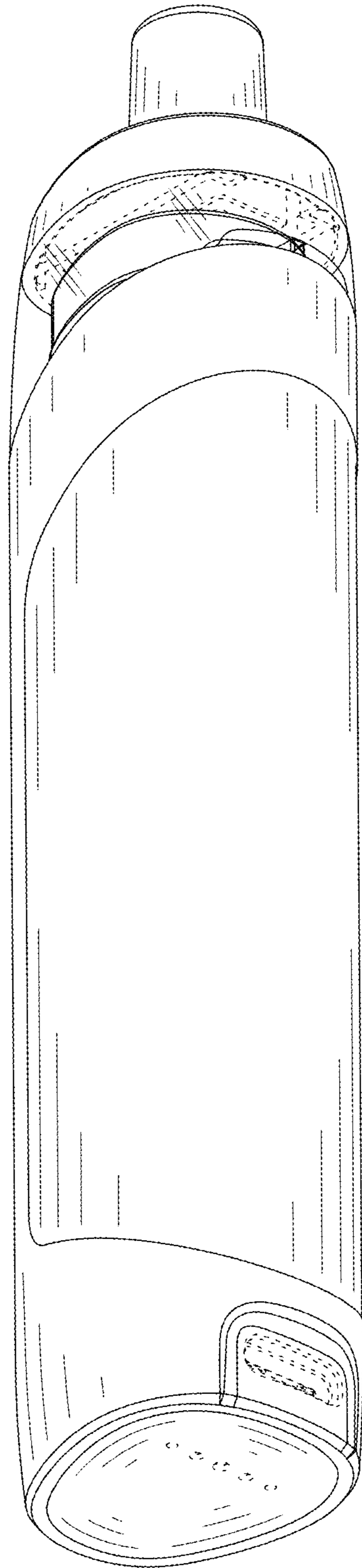


FIG. 27

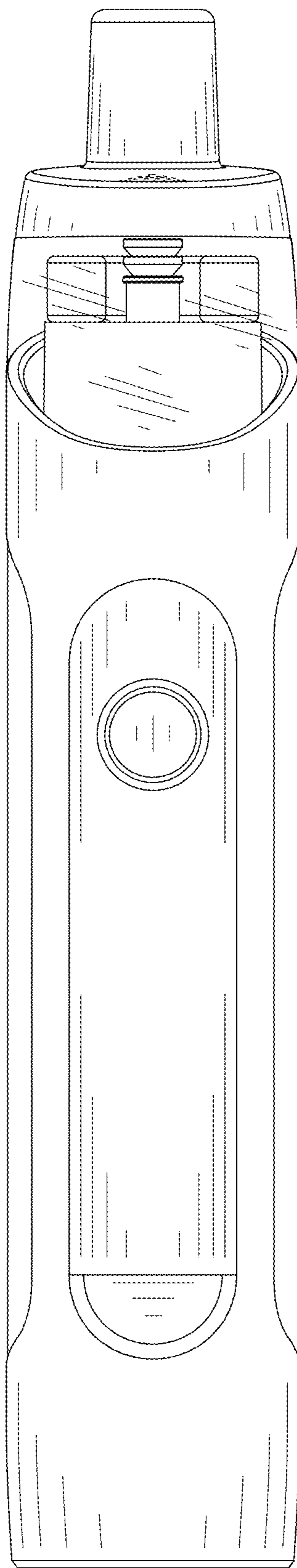


FIG. 28

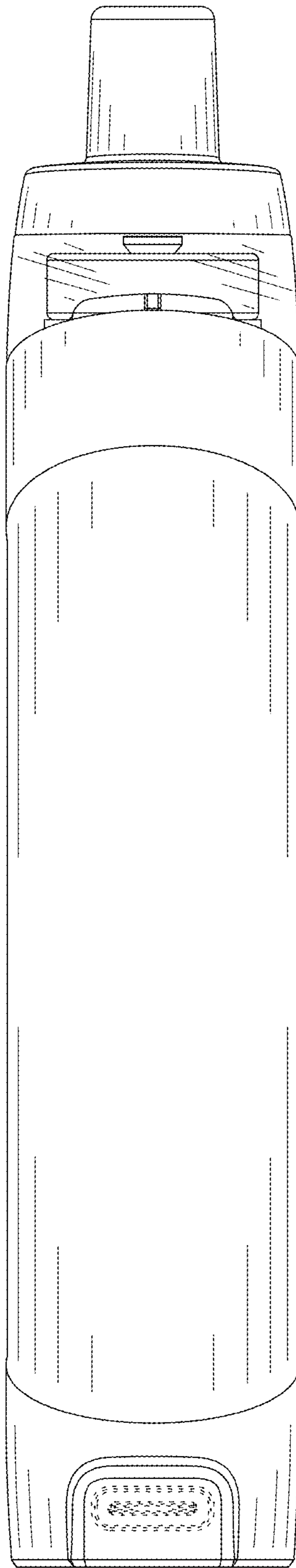


FIG. 29

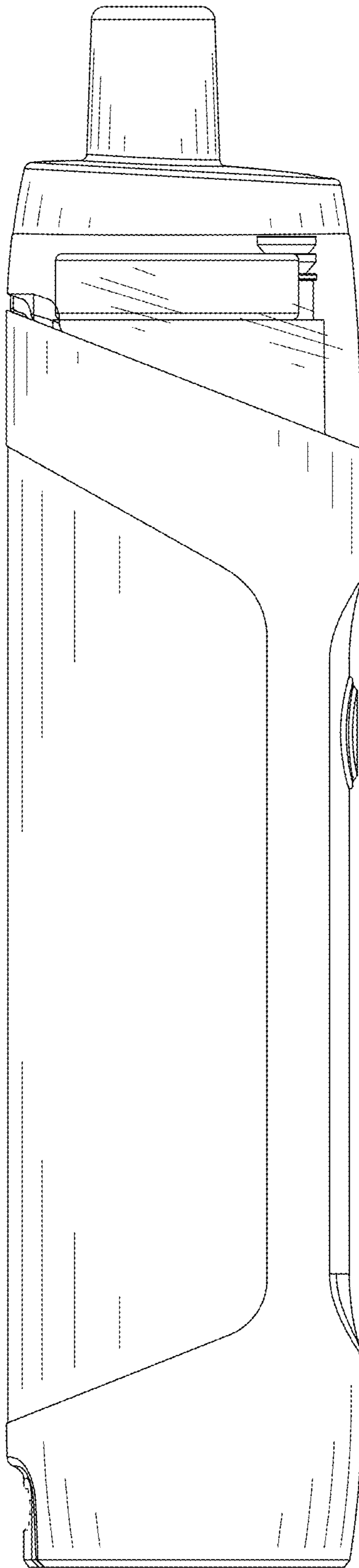


FIG. 30

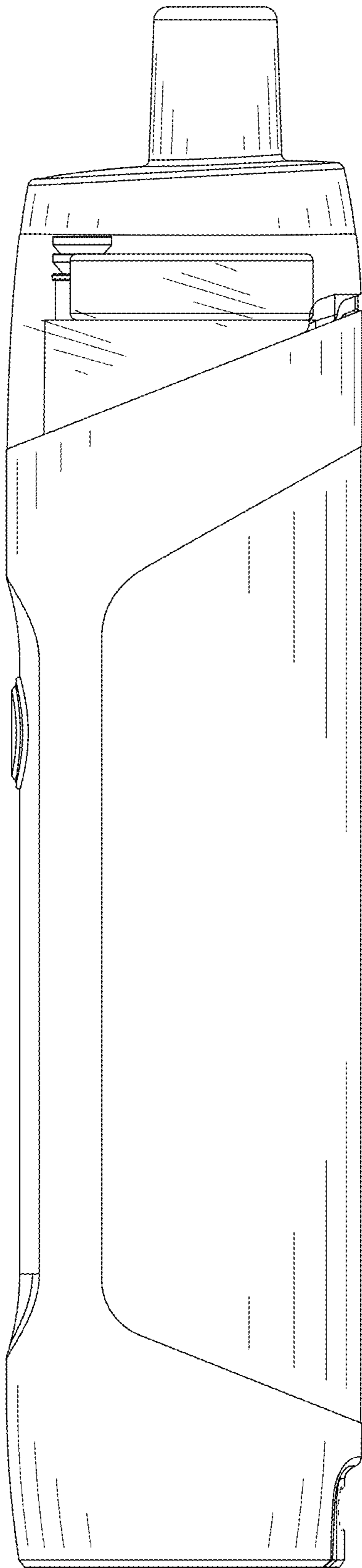


FIG. 31

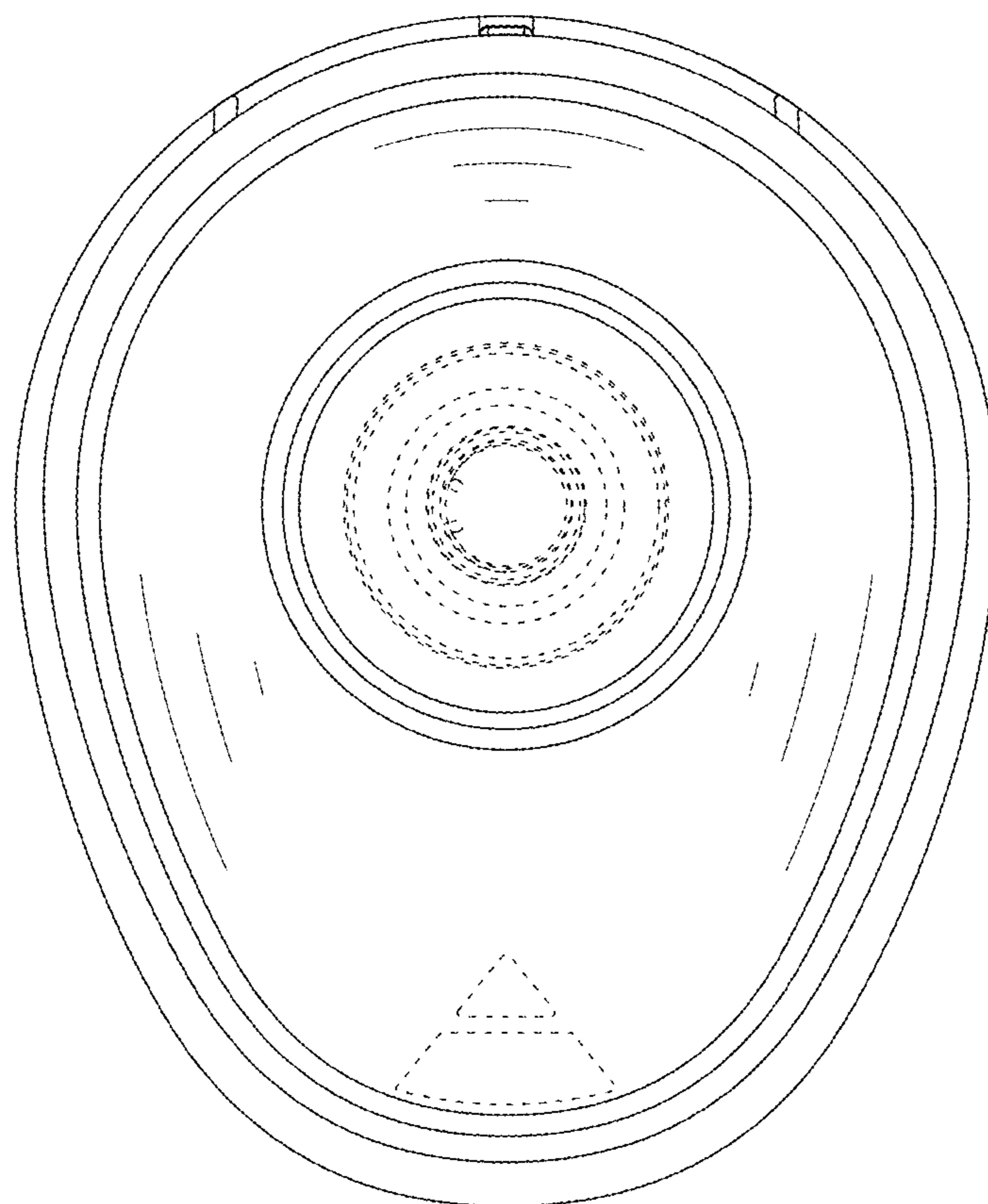


FIG. 32

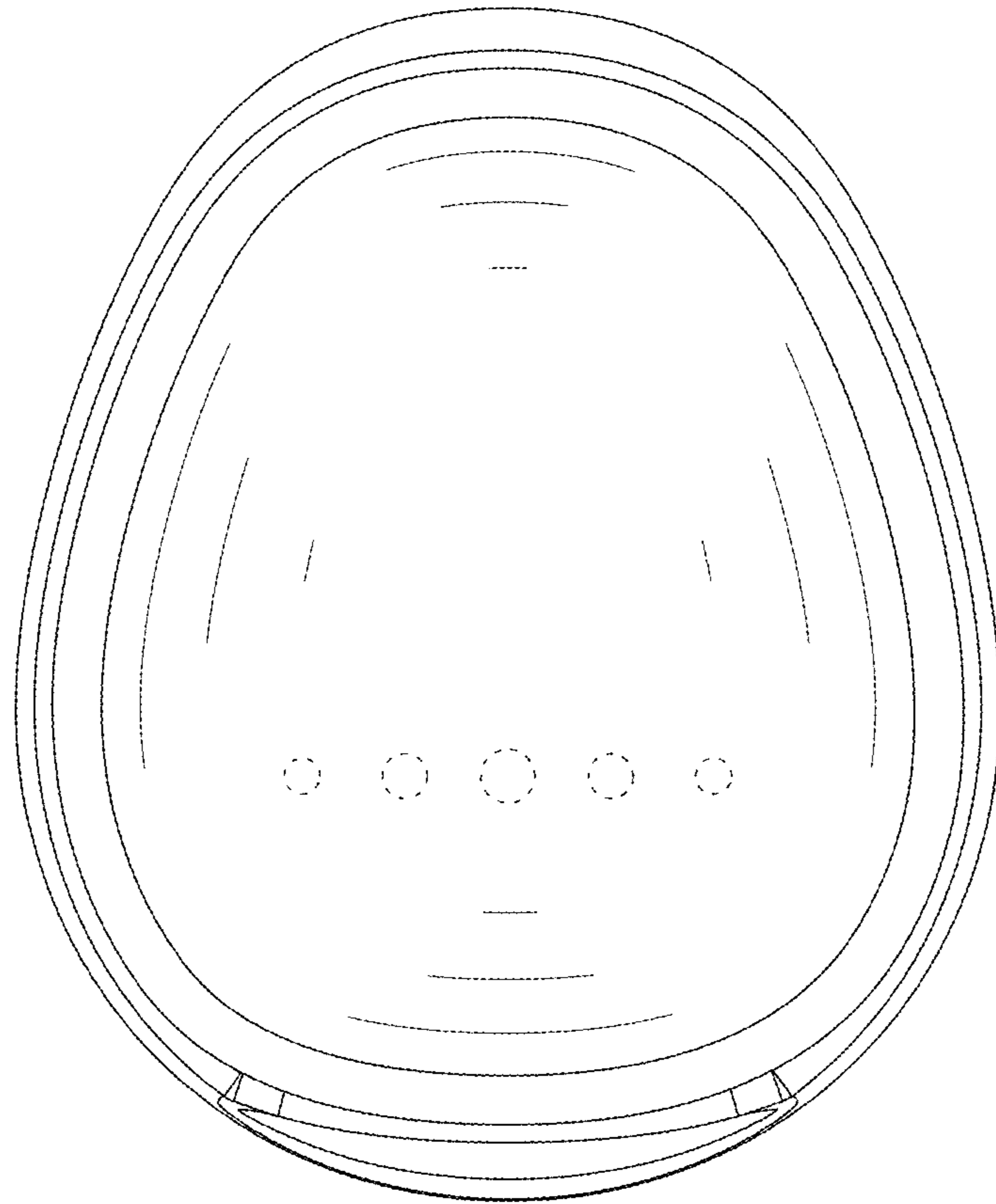


FIG. 33

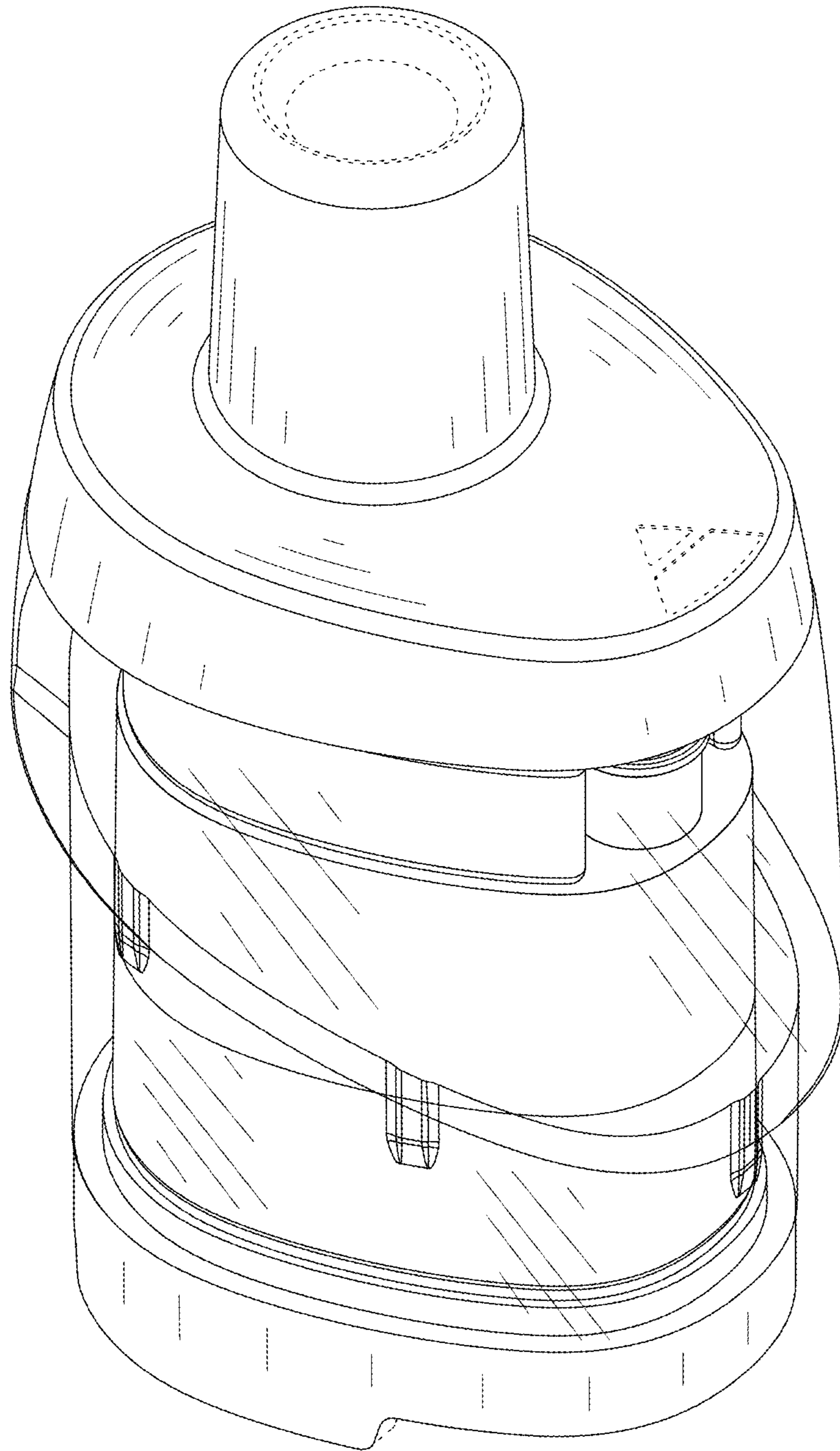


FIG. 34

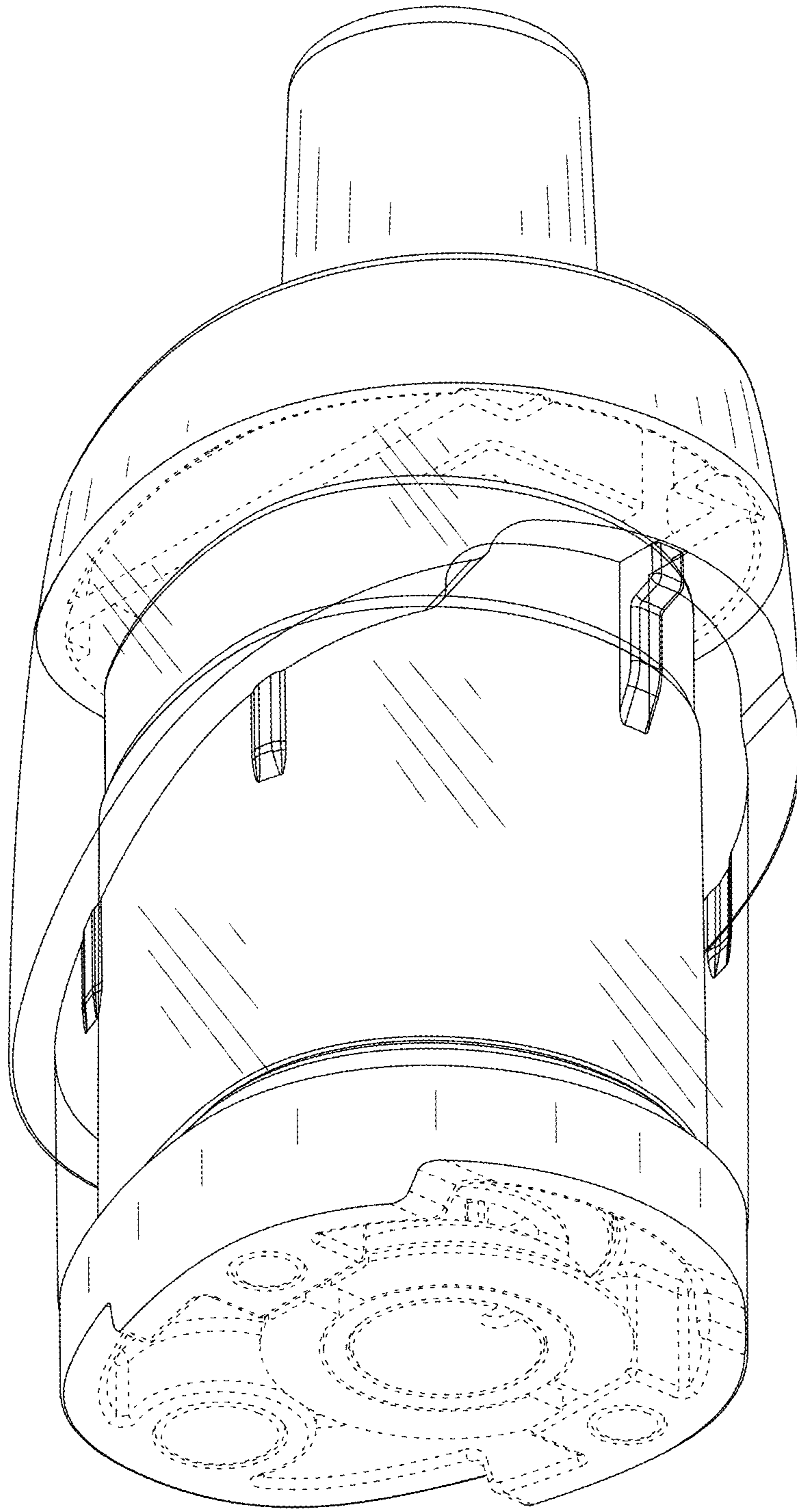


FIG. 35

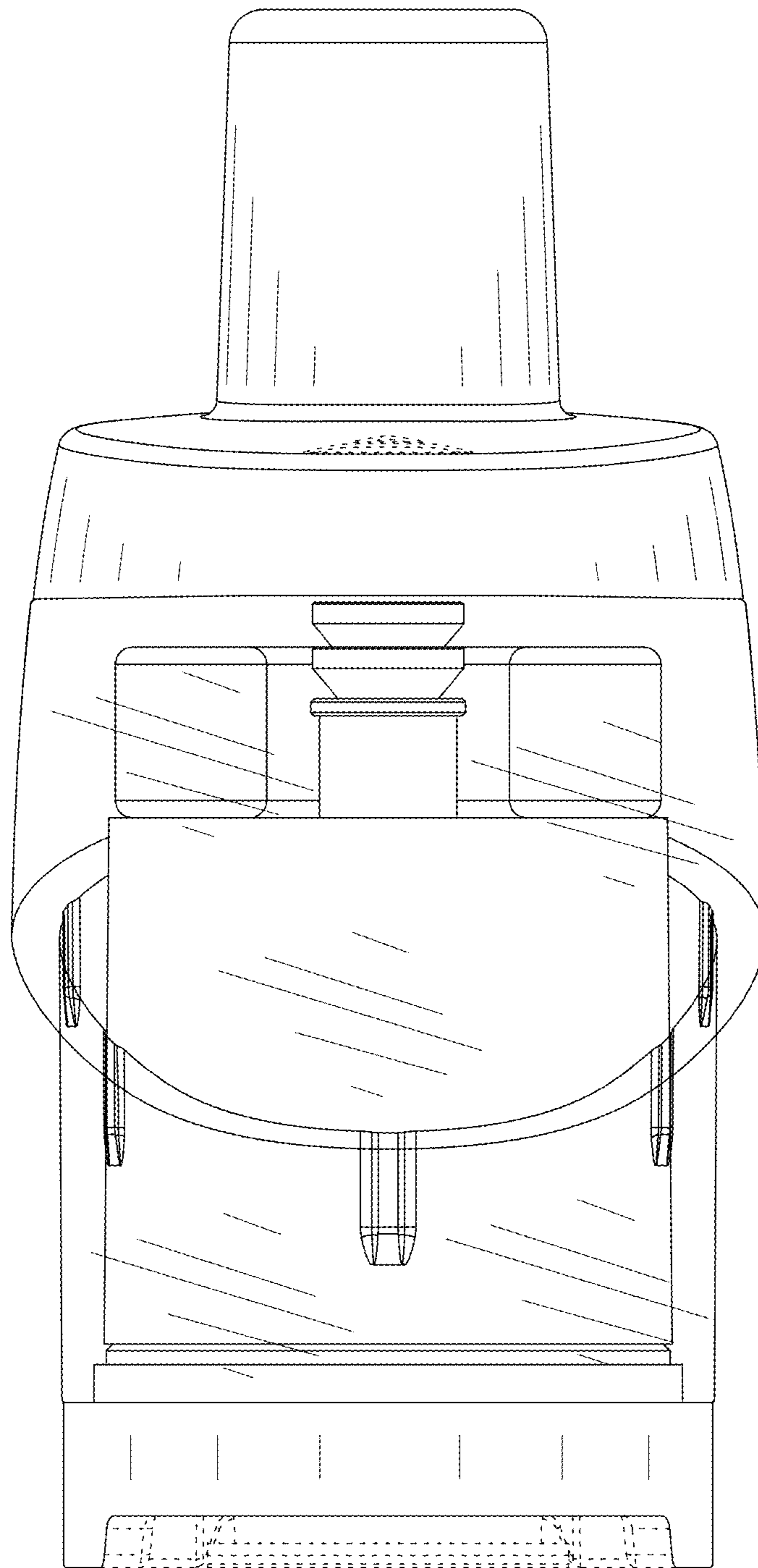


FIG. 36

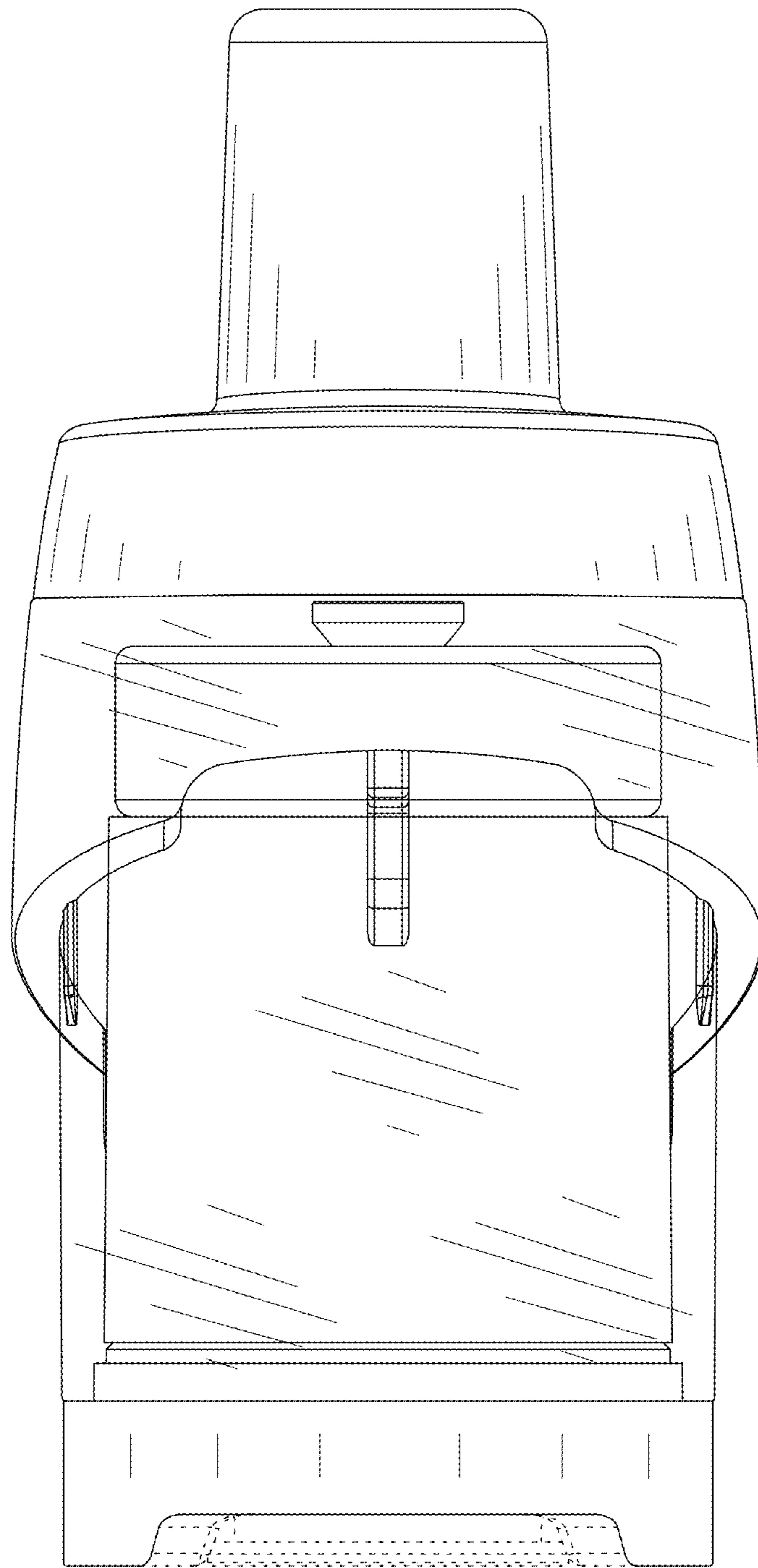


FIG. 37

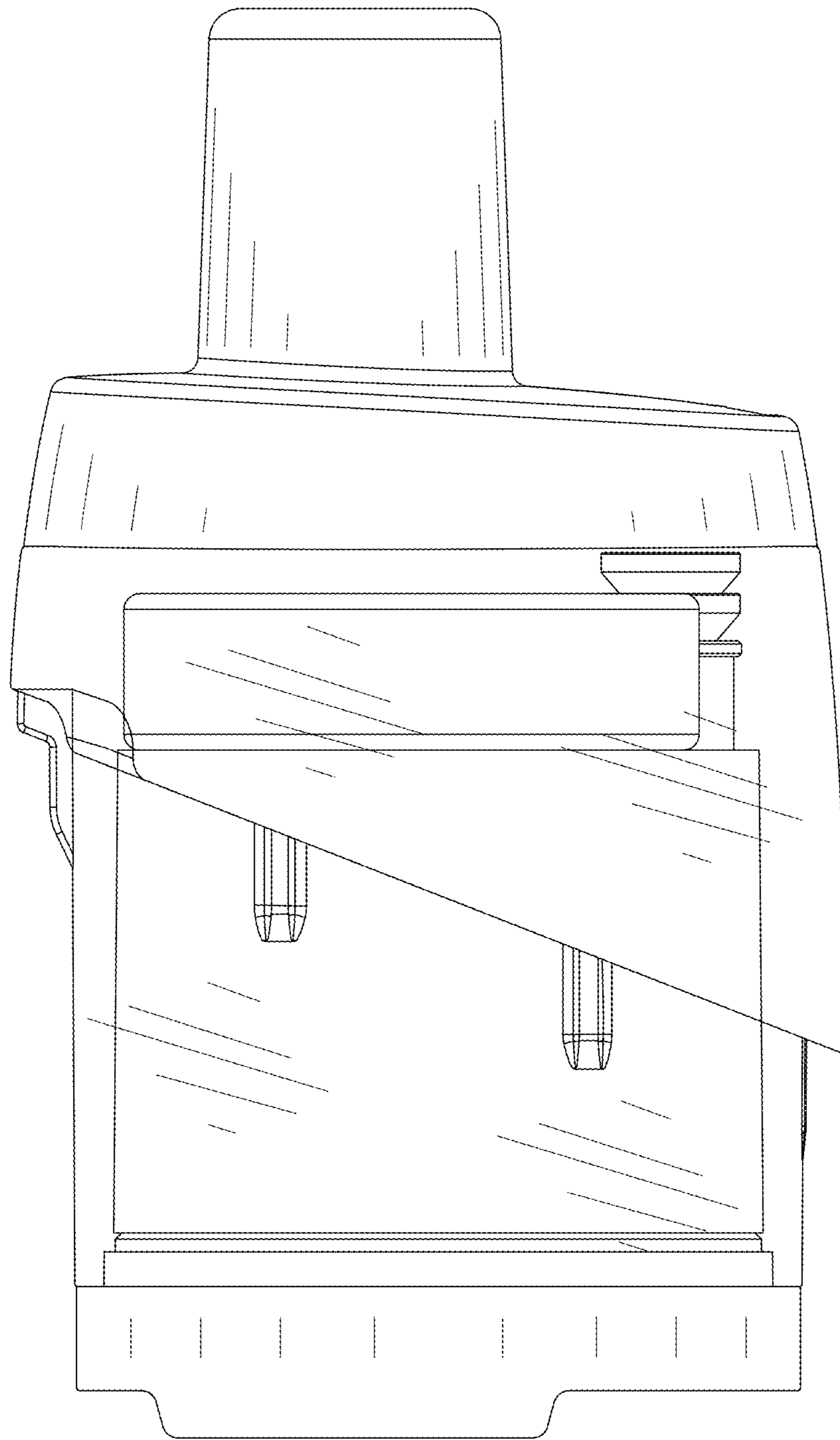


FIG. 38

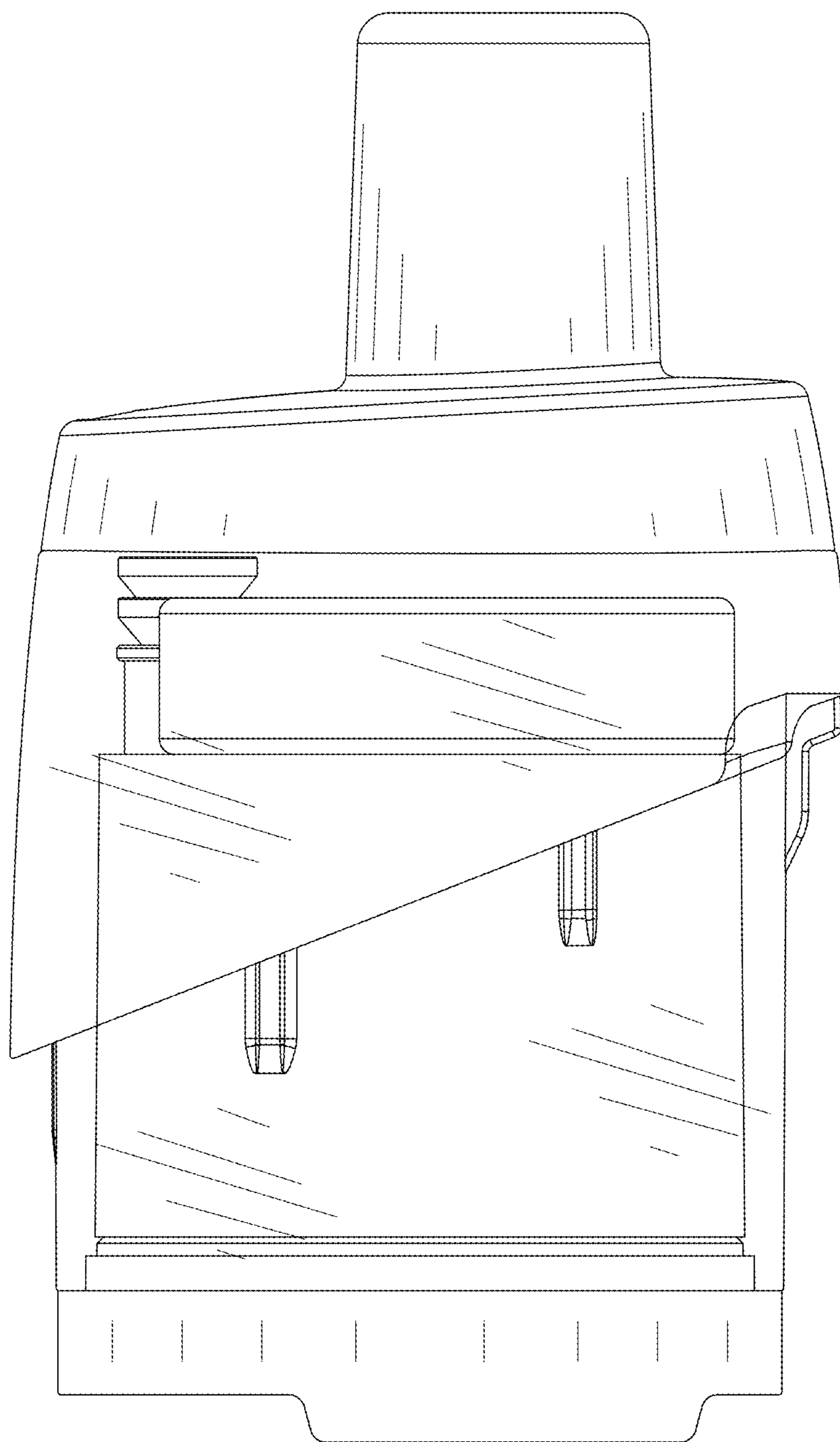


FIG. 39

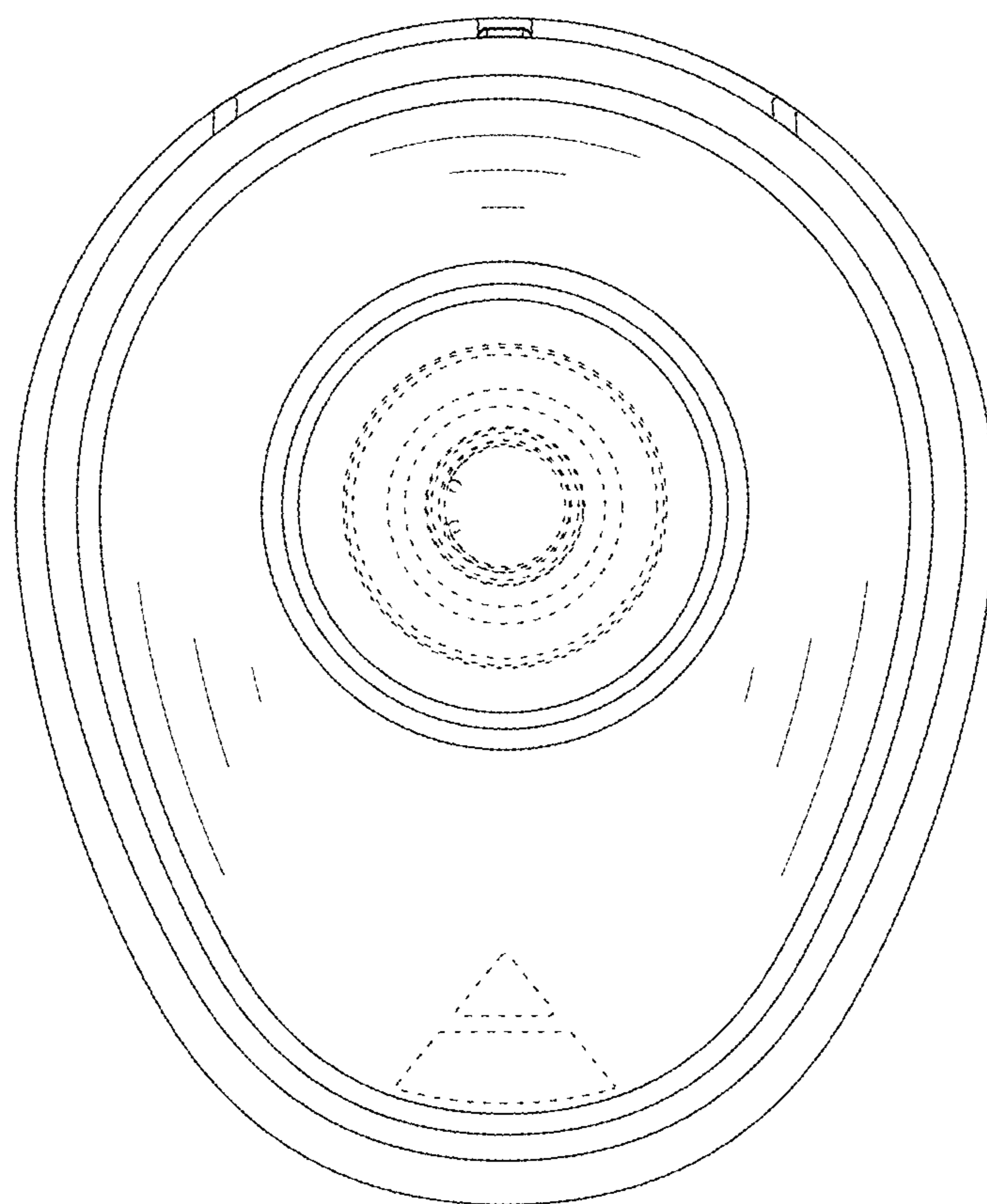


FIG. 40

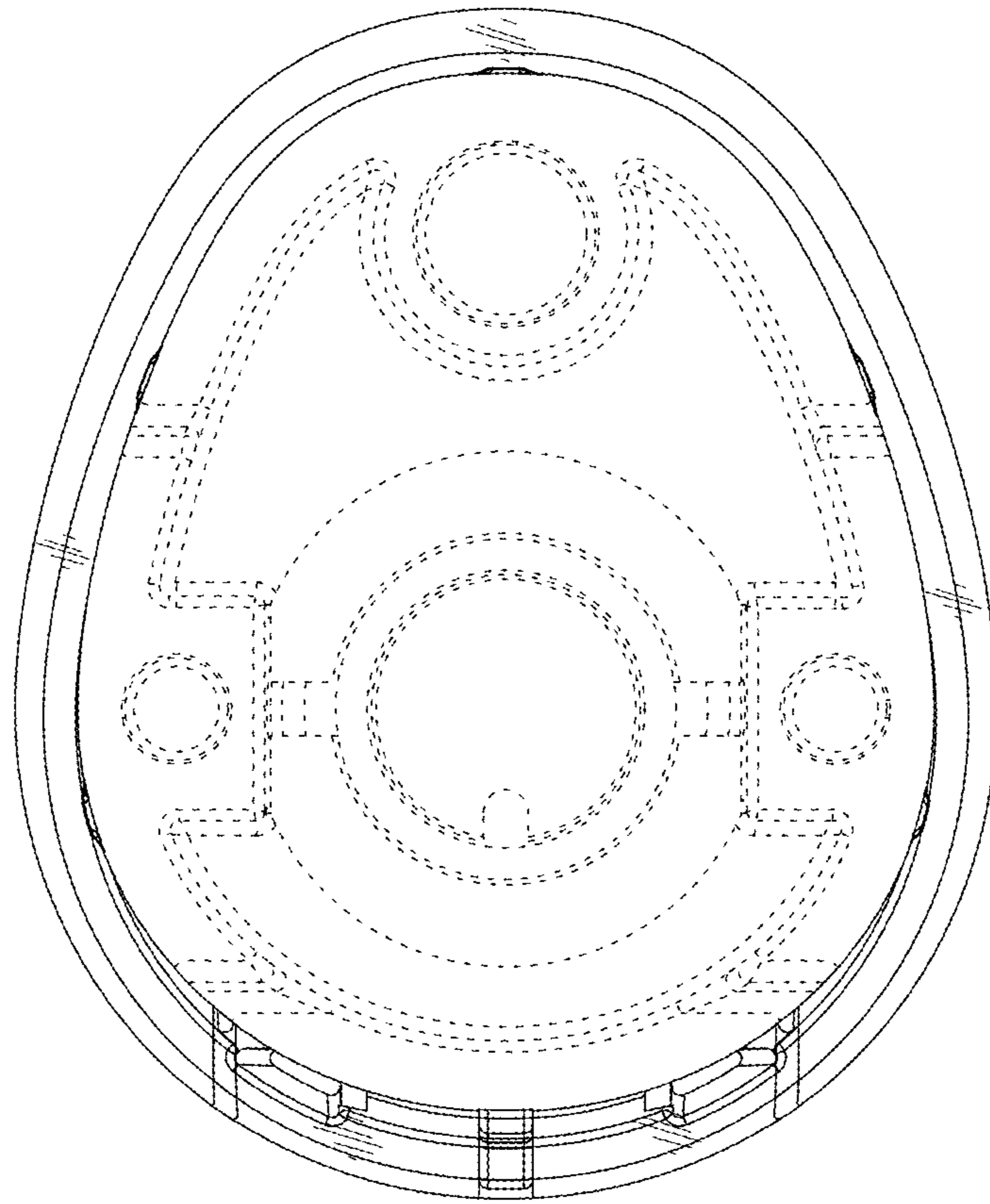


FIG. 41