



US00D954336S

(12) **United States Design Patent**  
**Chen**

(10) **Patent No.:** **US D954,336 S**  
(45) **Date of Patent:** **\*\* Jun. 7, 2022**

(54) **LAMP**

(71) Applicant: **Honghong Chen**, Shenzhen (CN)

(72) Inventor: **Honghong Chen**, Shenzhen (CN)

(\*\*) Term: **15 Years**

(21) Appl. No.: **29/778,558**

(22) Filed: **Apr. 14, 2021**

(51) **LOC (13) Cl.** ..... **26-05**

(52) **U.S. Cl.**  
USPC ..... **D26/104; D26/63**

(58) **Field of Classification Search**  
USPC ..... D26/24, 36, 38, 40, 44, 50, 51, 60, 61,  
D26/63, 66, 93, 104, 106, 107, 108, 119,  
D26/123, 124; D16/237, 244;  
D10/104.1, 111, 114.2, 114.5, 114.8  
CPC .... F21S 6/00; F21S 6/002; F21S 6/003; F21S  
6/004; F21S 6/005; F21S 6/006; F21S  
8/00; F21S 8/035; F21S 8/036; F21S  
8/043; F21S 10/00; F21S 10/06; F21S  
10/063; F21S 13/00; F21S 13/14; F21S  
4/00; F21S 4/15; F21W 2131/30; F21V  
21/08

See application file for complete search history.

(56) **References Cited**

**U.S. PATENT DOCUMENTS**

D121,503 S *	7/1940	Bahr	.....	D26/36
D182,994 S *	6/1958	Freeman	.....	D10/114.8
D214,253 S *	5/1969	Sonneman	.....	D26/104
D376,665 S *	12/1996	Chan	.....	D26/63
5,765,793 A *	6/1998	Yu	.....	F21V 21/08 362/396
D415,805 S *	10/1999	Wygonik	.....	D16/244

D529,651 S *	10/2006	Chan	.....	D26/62
D617,930 S *	6/2010	Chen	.....	D26/63
D670,845 S *	11/2012	Hsu	.....	D26/62
D698,984 S *	2/2014	Meise	.....	D26/93
D791,381 S *	7/2017	Chang	.....	D26/63
9,857,061 B1 *	1/2018	Deng	.....	F21V 15/01
D810,349 S *	2/2018	Sempé'	.....	D26/104
D814,090 S *	3/2018	Deng	.....	D26/63
D829,355 S *	9/2018	Li	.....	D26/62
D887,052 S *	6/2020	Xu	.....	
D890,974 S *	7/2020	Huang	.....	D26/63
D896,302 S *	9/2020	Chen	.....	D16/244
D898,256 S *	10/2020	Peng	.....	
D917,605 S *	4/2021	Shen	.....	D16/244
D931,515 S *	9/2021	Zhang	.....	D26/63

\* cited by examiner

*Primary Examiner* — Wan Laymon  
*Assistant Examiner* — Clint A Samuel

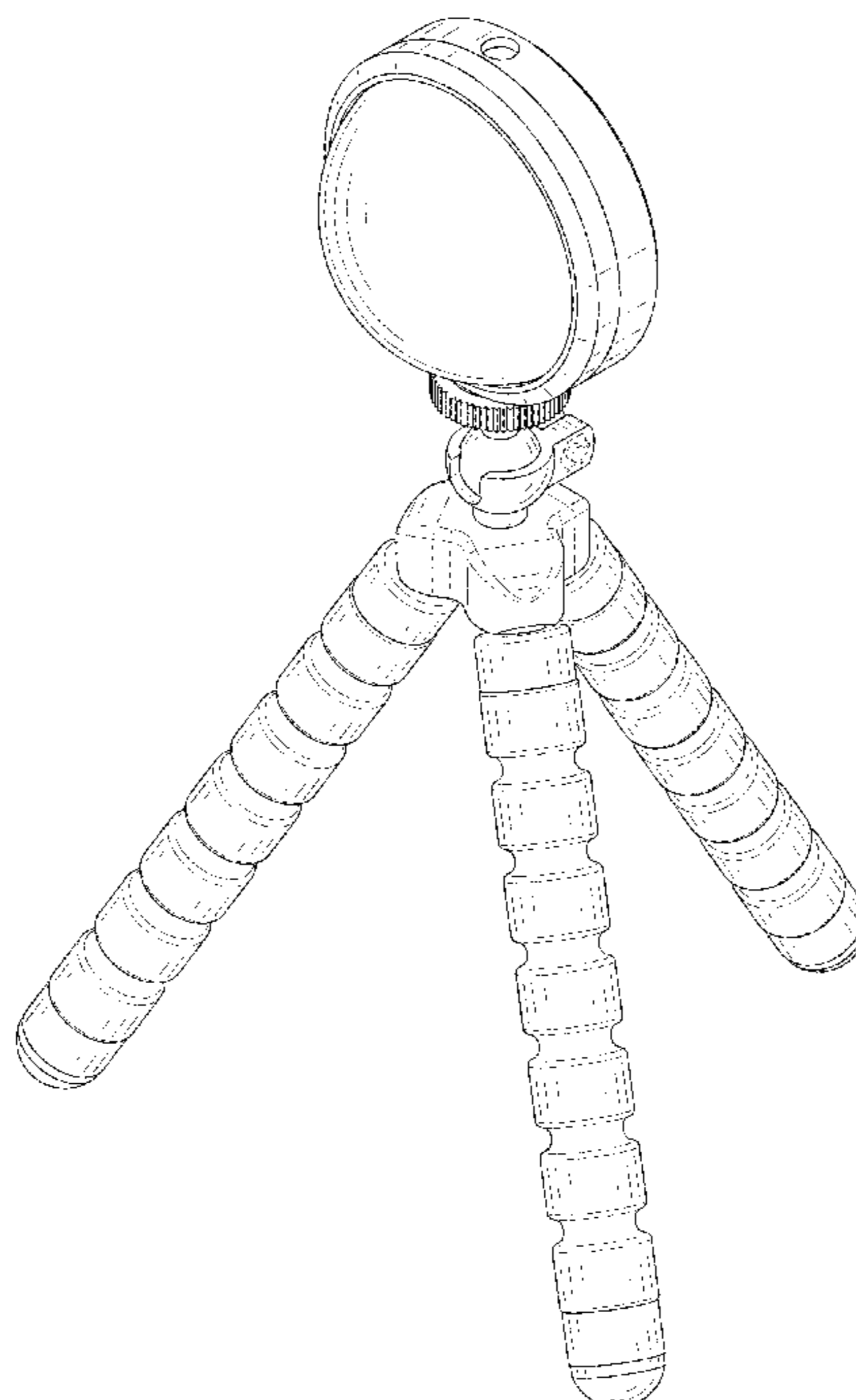
(57) **CLAIM**

The ornamental design for a lamp, as shown and described.

**DESCRIPTION**

FIG. 1 is a perspective view of a lamp showing my new design;  
FIG. 2 is another perspective view thereof;  
FIG. 3 is a front elevational view thereof;  
FIG. 4 is a rear elevational view thereof;  
FIG. 5 is a left side elevational view thereof;  
FIG. 6 is a right side elevational view thereof;  
FIG. 7 is a top plan view thereof;  
FIG. 8 is a bottom plan view thereof; and,  
FIG. 9 is an enlarged view of portion 9 shown in FIG. 2.  
The broken lines in the drawings depict portions of the lamp that form no part of the claimed design.

**1 Claim, 9 Drawing Sheets**



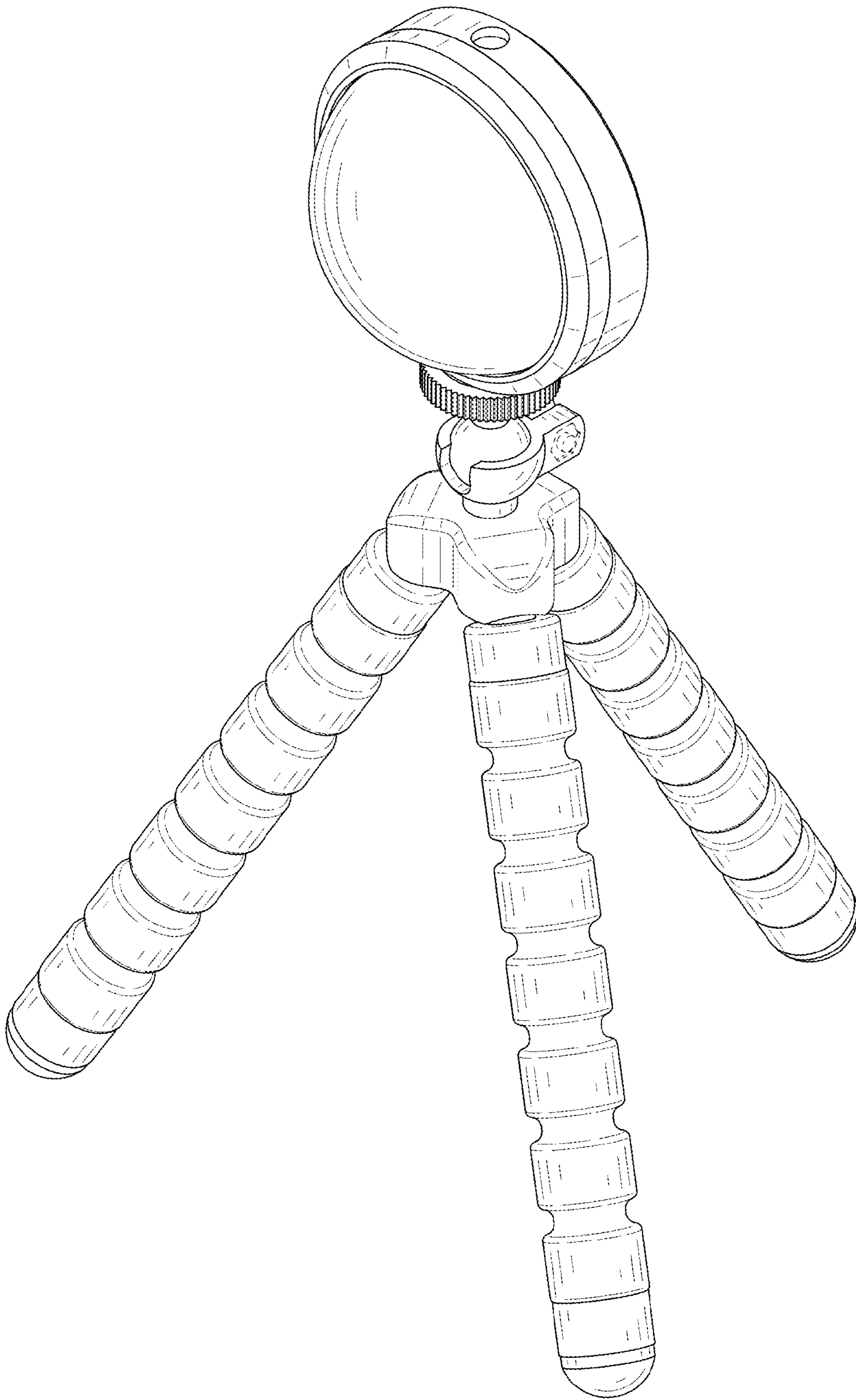


FIG. 1

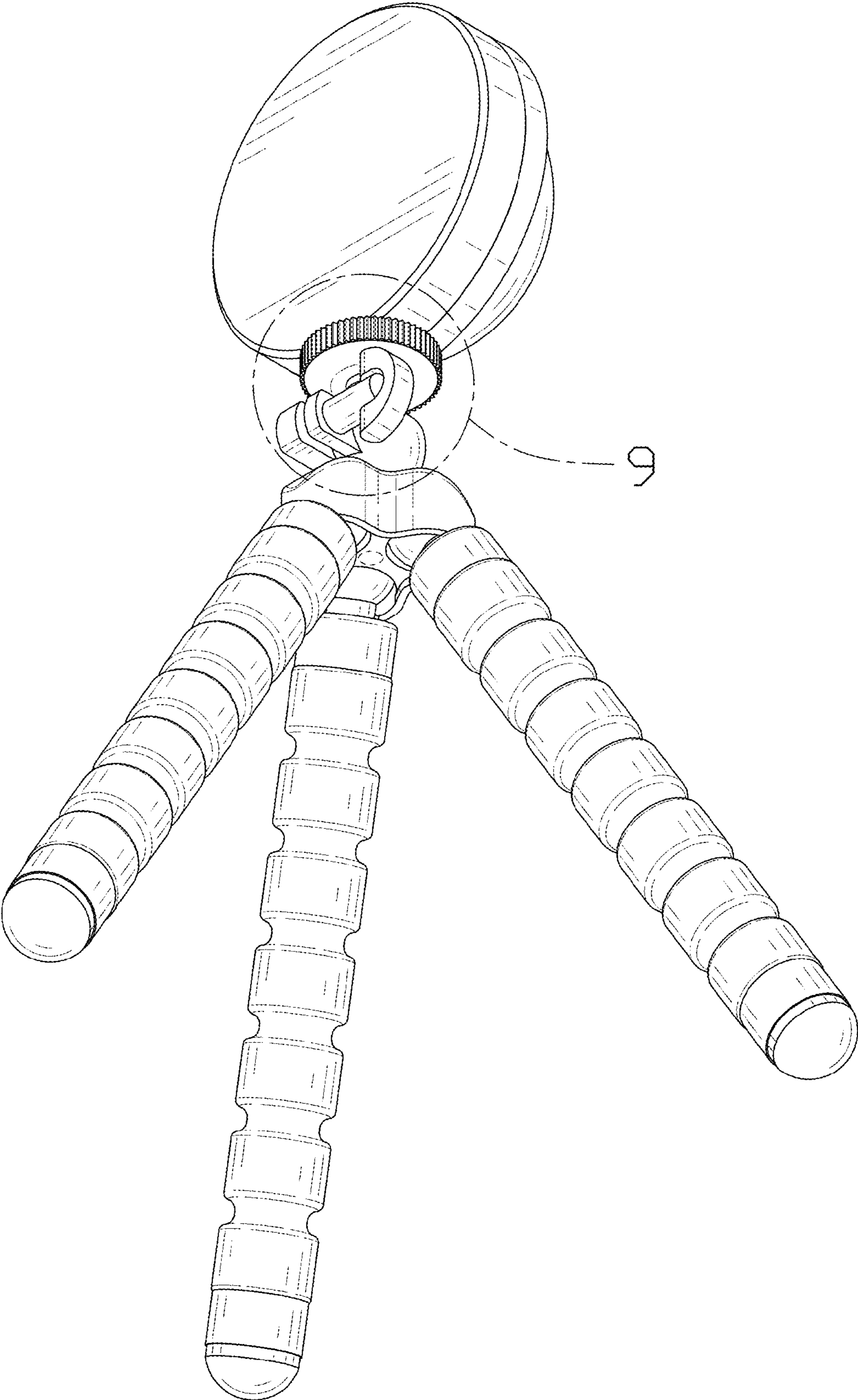


FIG. 2

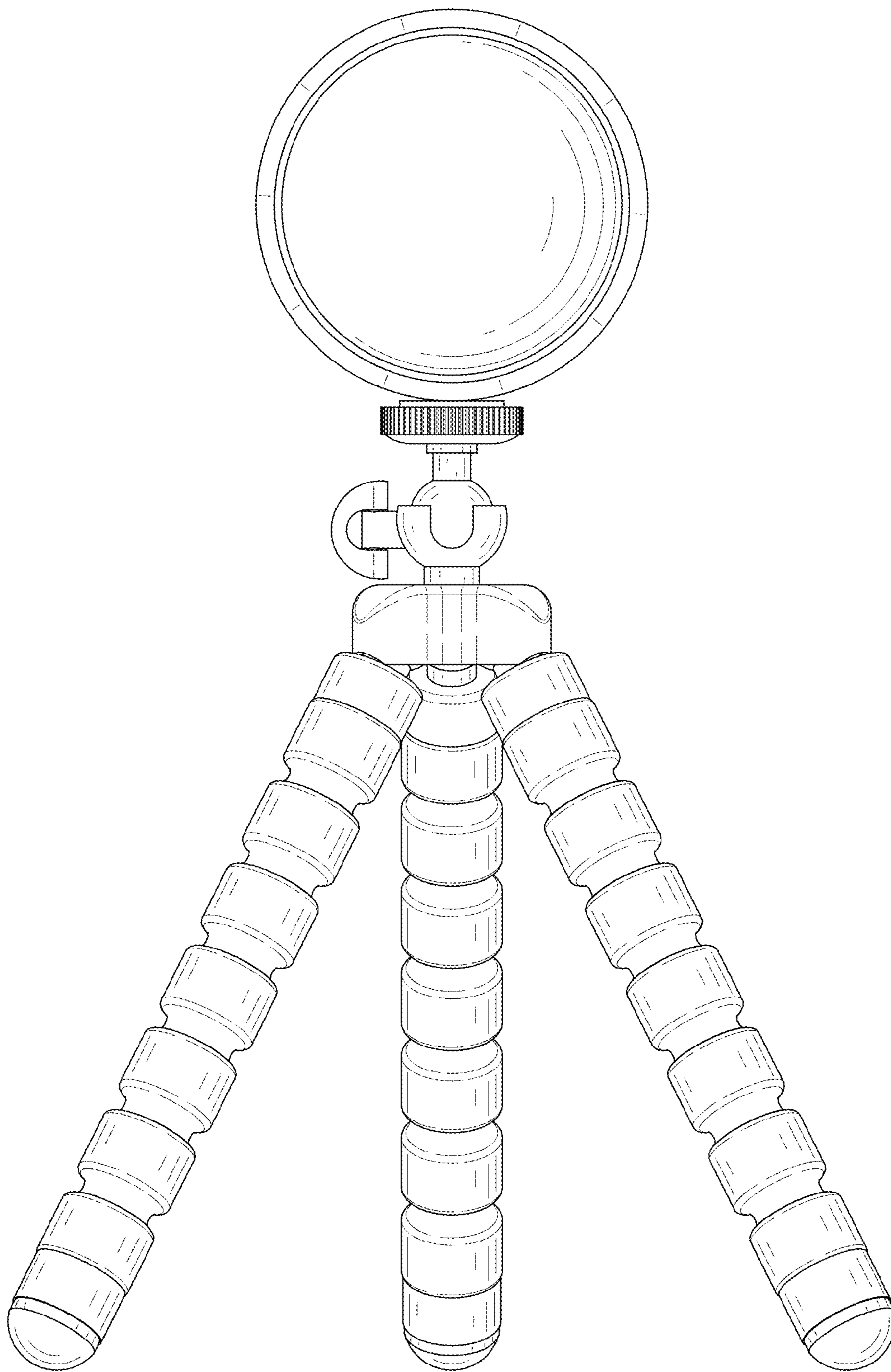


FIG. 3

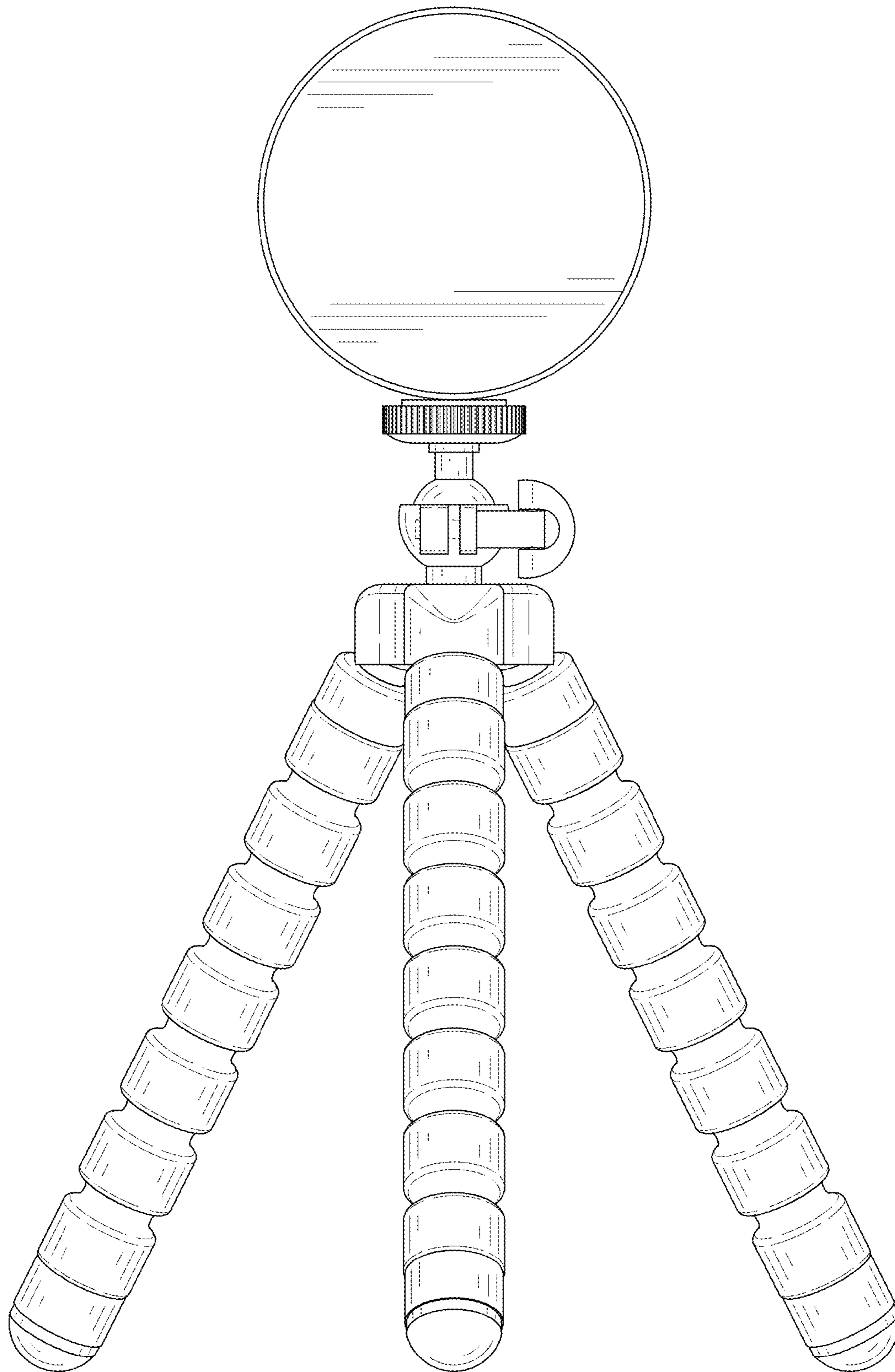


FIG. 4

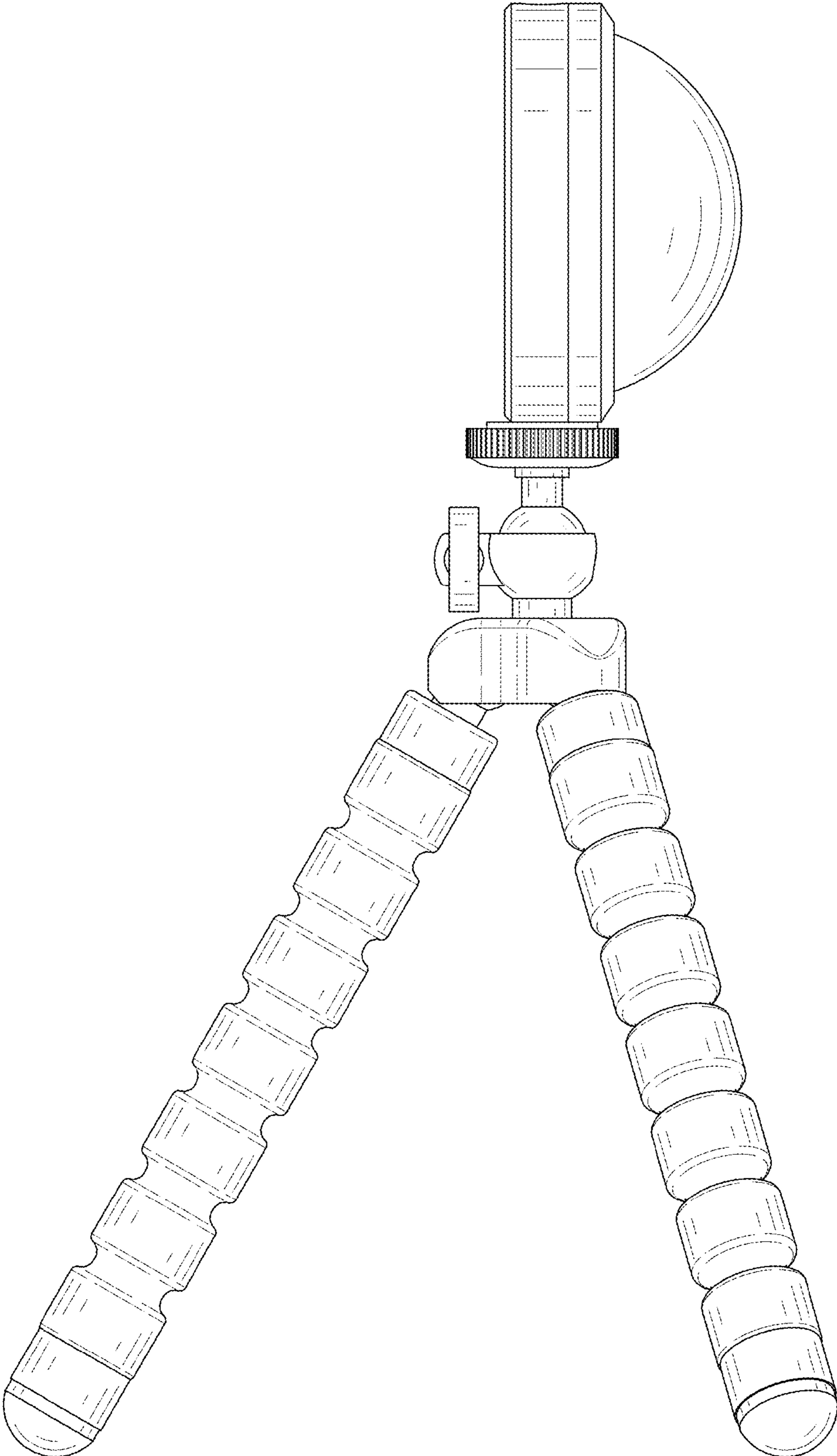


FIG. 5

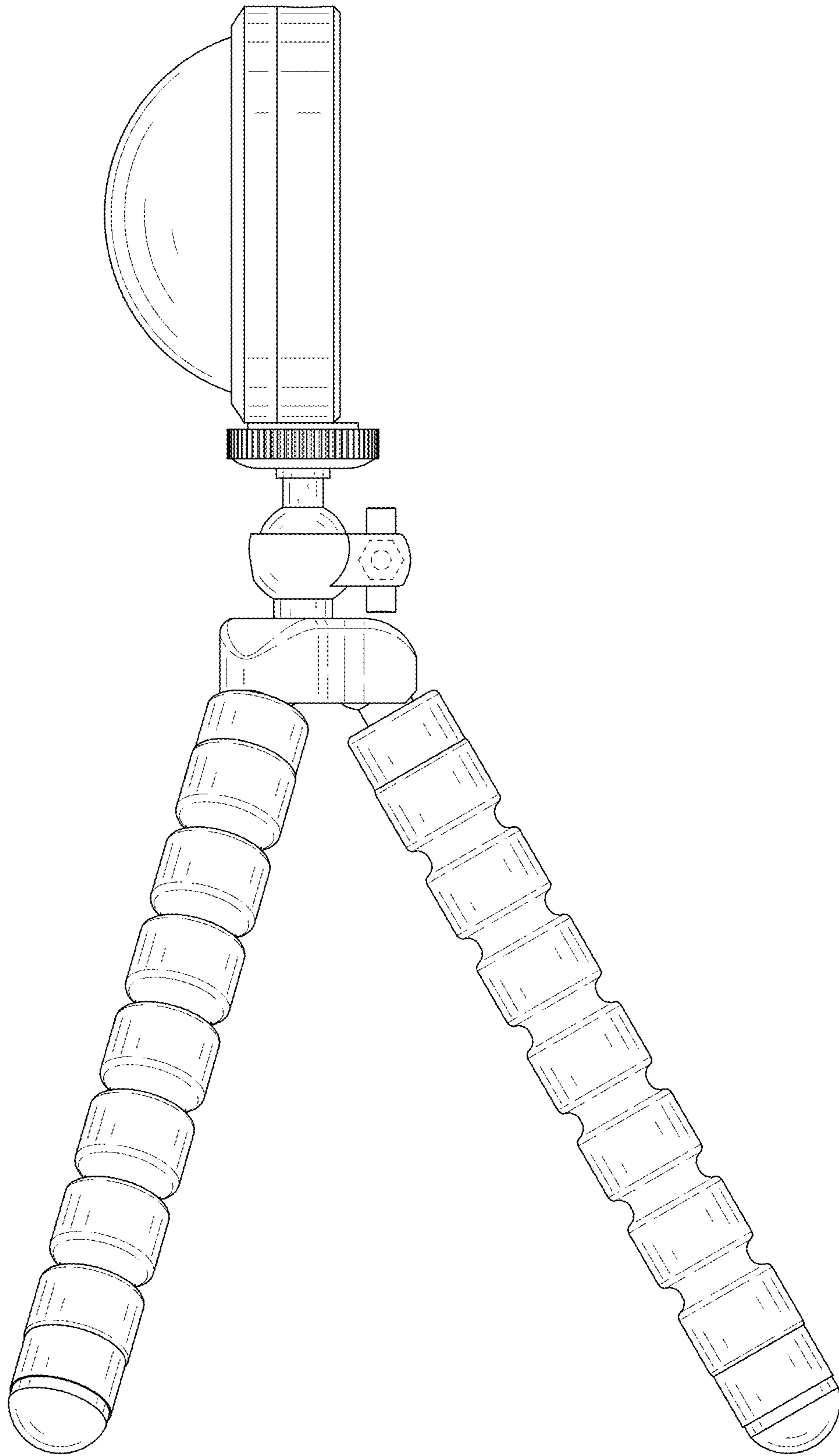


FIG. 6

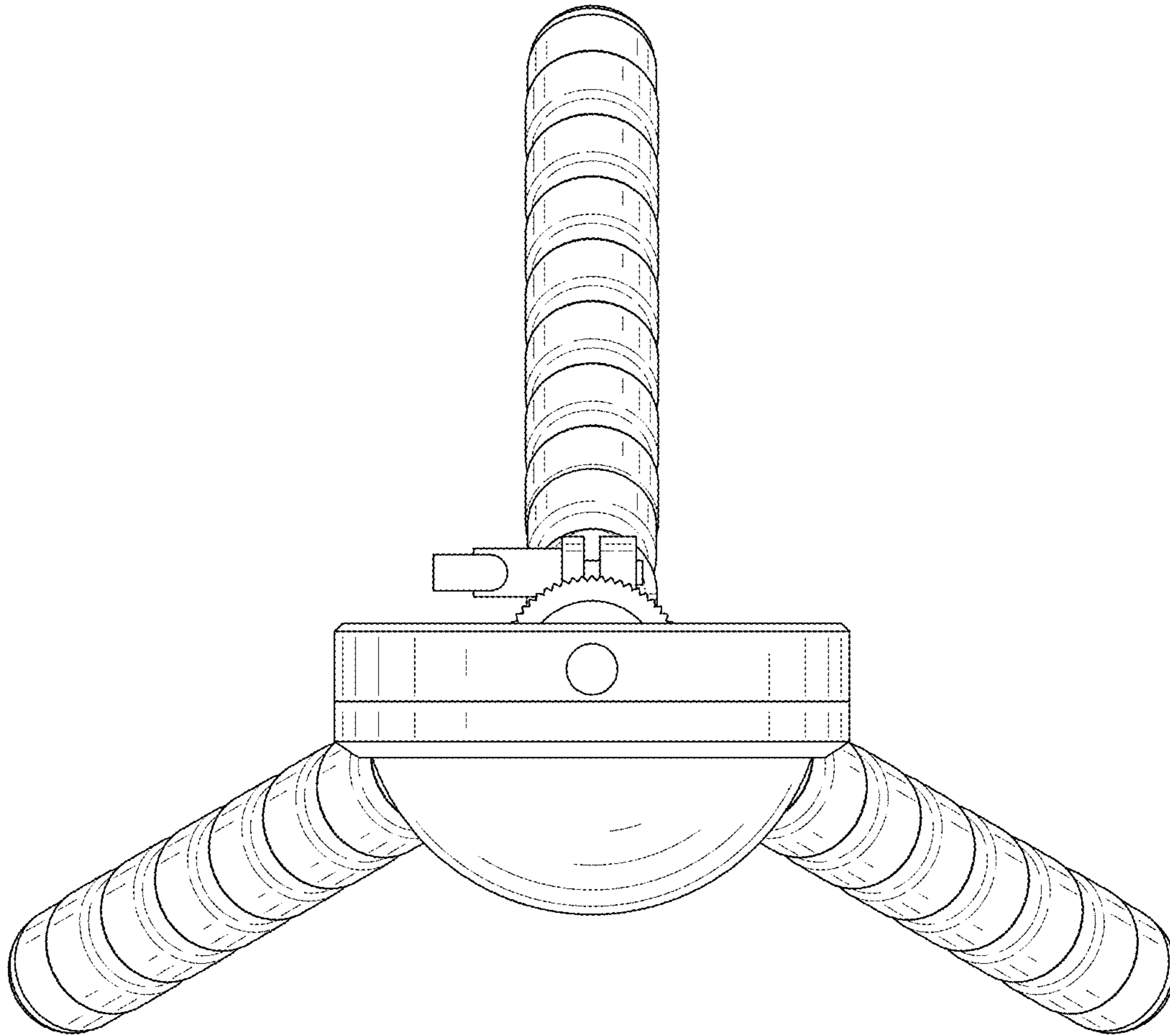


FIG. 7



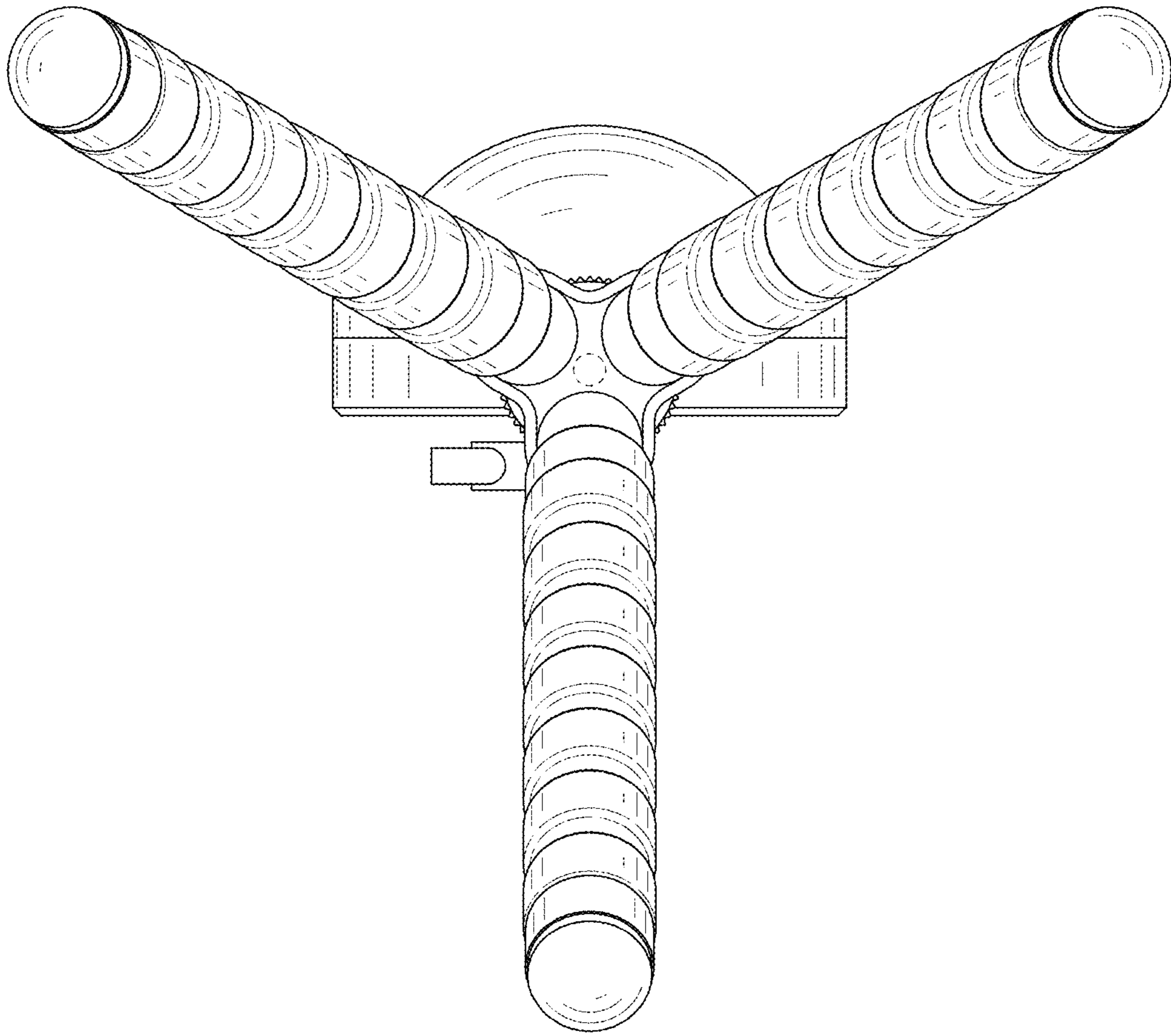


FIG. 8

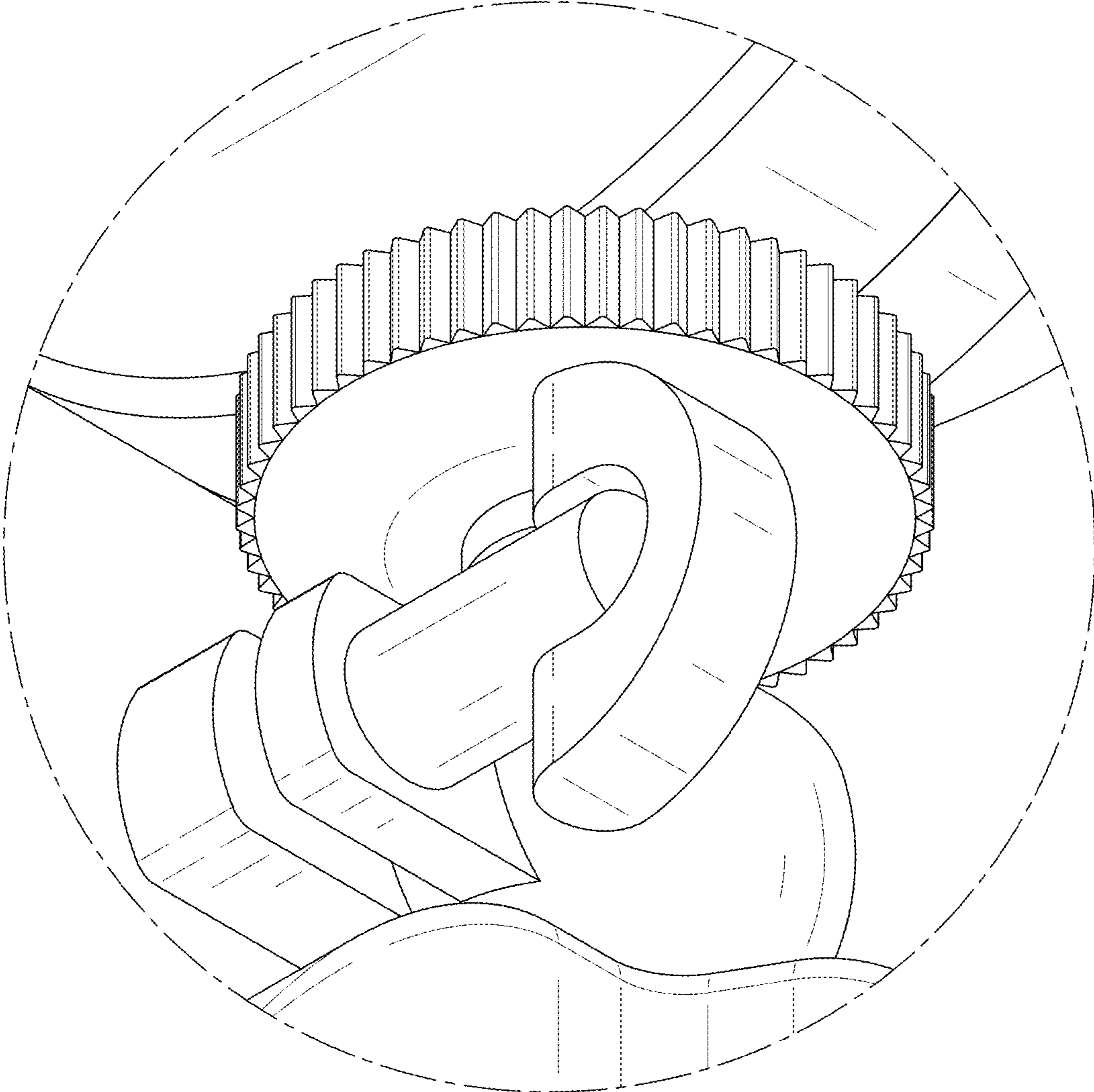


FIG. 9