



US00D954334S

(12) **United States Design Patent**
Liu

(10) **Patent No.:** **US D954,334 S**
(45) **Date of Patent:** **** Jun. 7, 2022**

(54) **LIGHT**

(71) Applicant: **Jiangmen Goodia Lighting Technology Co., Ltd., Jiangmen (CN)**

(72) Inventor: **Shouhui Liu, Jiangmen (CN)**

(**) Term: **15 Years**

(21) Appl. No.: **29/739,885**

(22) Filed: **Jun. 30, 2020**

(51) **LOC (13) Cl.** **26-05**

(52) **U.S. Cl.**
USPC **D26/87**

(58) **Field of Classification Search**

USPC D26/26, 72, 80, 81, 82, 84-90, 92
CPC F21S 8/04; F21S 8/043; F21S 8/046; F21S 8/06; F21S 8/061; F21S 8/063; F21S 8/065; F21S 8/066; F21S 8/068

See application file for complete search history.

(56) **References Cited**

U.S. PATENT DOCUMENTS

D608,488 S *	1/2010	Miranda	D26/86
D646,424 S *	10/2011	Ho	D26/85
D701,634 S *	3/2014	Tomlinson	D26/85
D787,733 S *	5/2017	Sonneman	D26/85
D816,882 S *	5/2018	Qiao	D26/86
D869,730 S *	12/2019	Lin	D26/80
D879,353 S *	3/2020	Lin	D26/86
D898,269 S *	10/2020	Huang	D26/86
D906,574 S *	12/2020	Jiang	D26/85
D908,265 S *	1/2021	Zheng	D26/86
D917,768 S *	4/2021	Chen	D26/87

OTHER PUBLICATIONS

Dailyart, Modern Luxury LED Vanity Light. First available Feb. 22, 2021. Searched on Apr. 8, 2022. [https://www.amazon.com/Dailyart-Bathroom-Lighting-Fixtures-Elegant/dp/B08MW75J18/](Year: 2019).*

Eglo Lighting, LED Vanity Light Madrona Collection. First available Mar. 5, 2020. Searched Mar. 23, 2022. [https://www.amazon.com/Eglo-Lighting-204488A-Madrona-Collection/dp/B085HSJ74Y/](Year: 2020).*
Artika For Living, Bubble Cube LED Vanity. First available Aug. 16, 2019. Searched Mar. 23, 2022. [https://www.amazon.com/Artika-Bubble-4-LED-Vanity-Light/dp/B07WDYBCHT](Year: 2019).*
Solfart, LED Modern Vanity Light. First available May 11, 2020. Searched Mar. 23, 2022. [https://www.amazon.com/SOLFART-Modern-Bathroom-Acrylic-Lighting/dp/B088F9DRFM?th=1](Year: 2020).*

* cited by examiner

Primary Examiner — Samantha Q Lawrence
Assistant Examiner — Melissa Adriane Santos
(74) *Attorney, Agent, or Firm* — Runit Ranjit Kanakia

(57) **CLAIM**

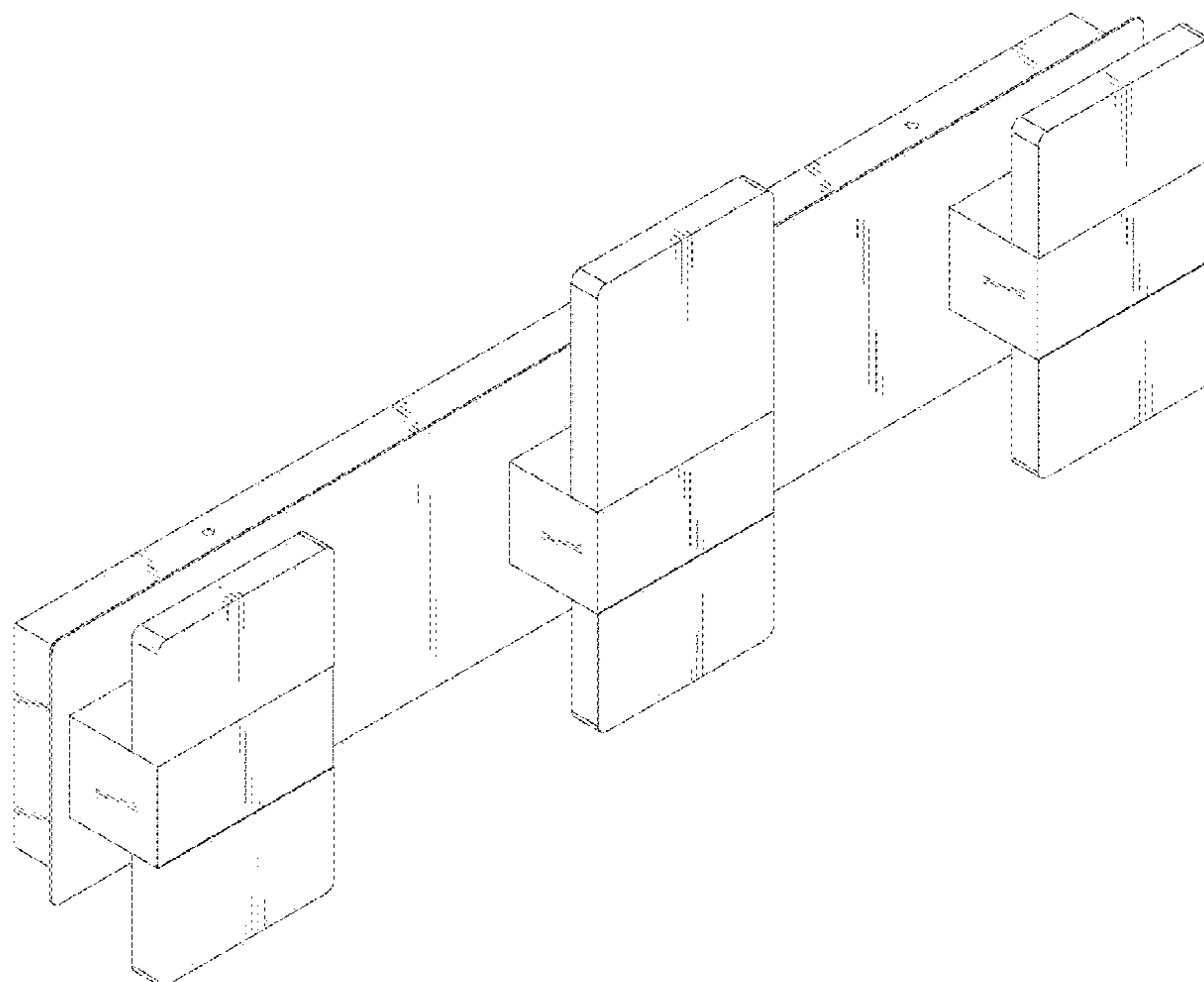
I claim the ornamental design for a light, as shown and described.

DESCRIPTION

FIG. 1 is a Perspective view of a light showing my new design;
FIG. 2 is Back perspective view thereof;
FIG. 3 is a Front view thereof;
FIG. 4 is a Back view thereof;
FIG. 5 is a Right-side view thereof;
FIG. 6 is a Left-side view thereof;
FIG. 7 is a Top view thereof; and,
FIG. 8 is a Bottom thereof.

The broken lines are for the purpose of illustrating portions of the article that form no part of the claim.

1 Claim, 8 Drawing Sheets



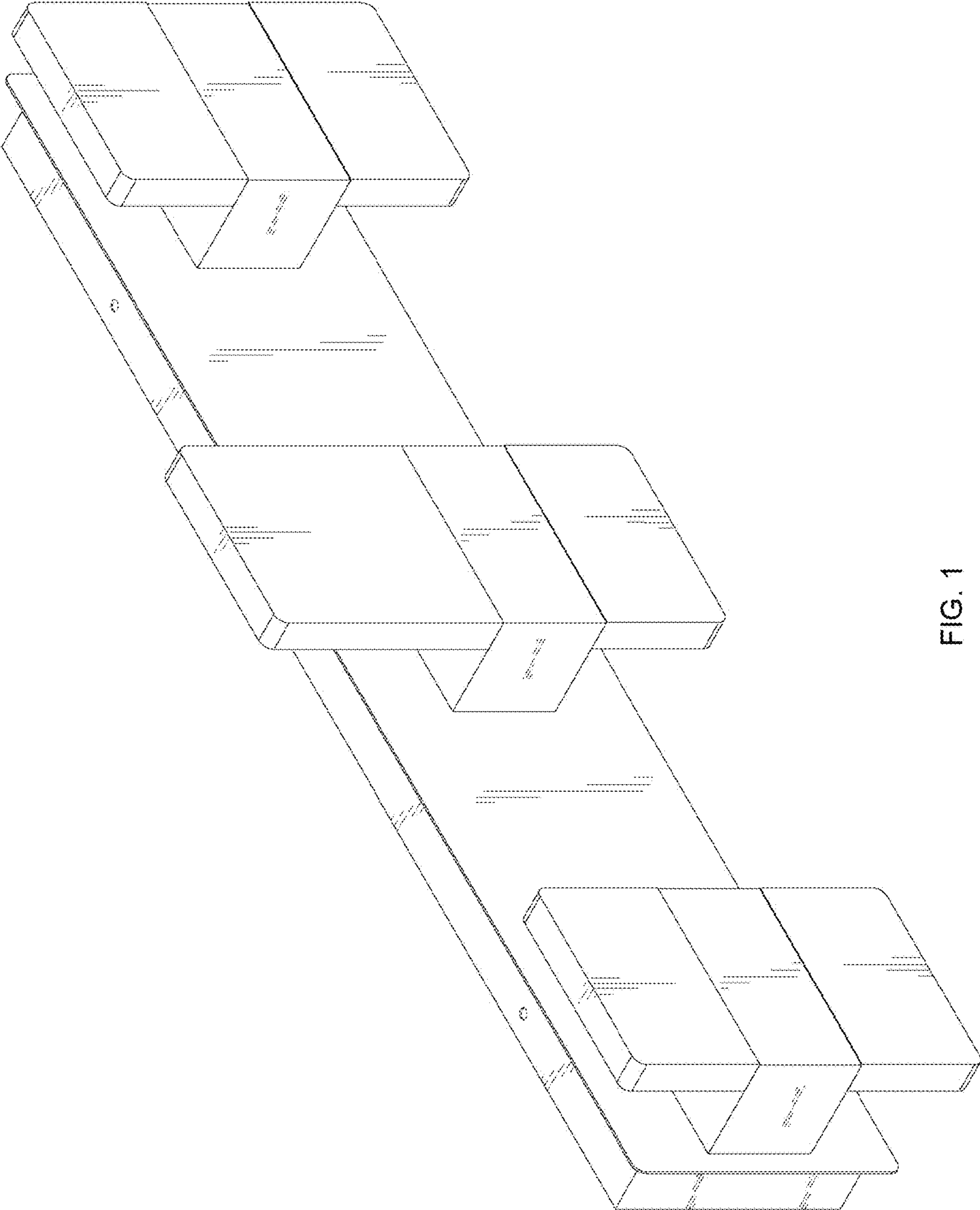


FIG. 1

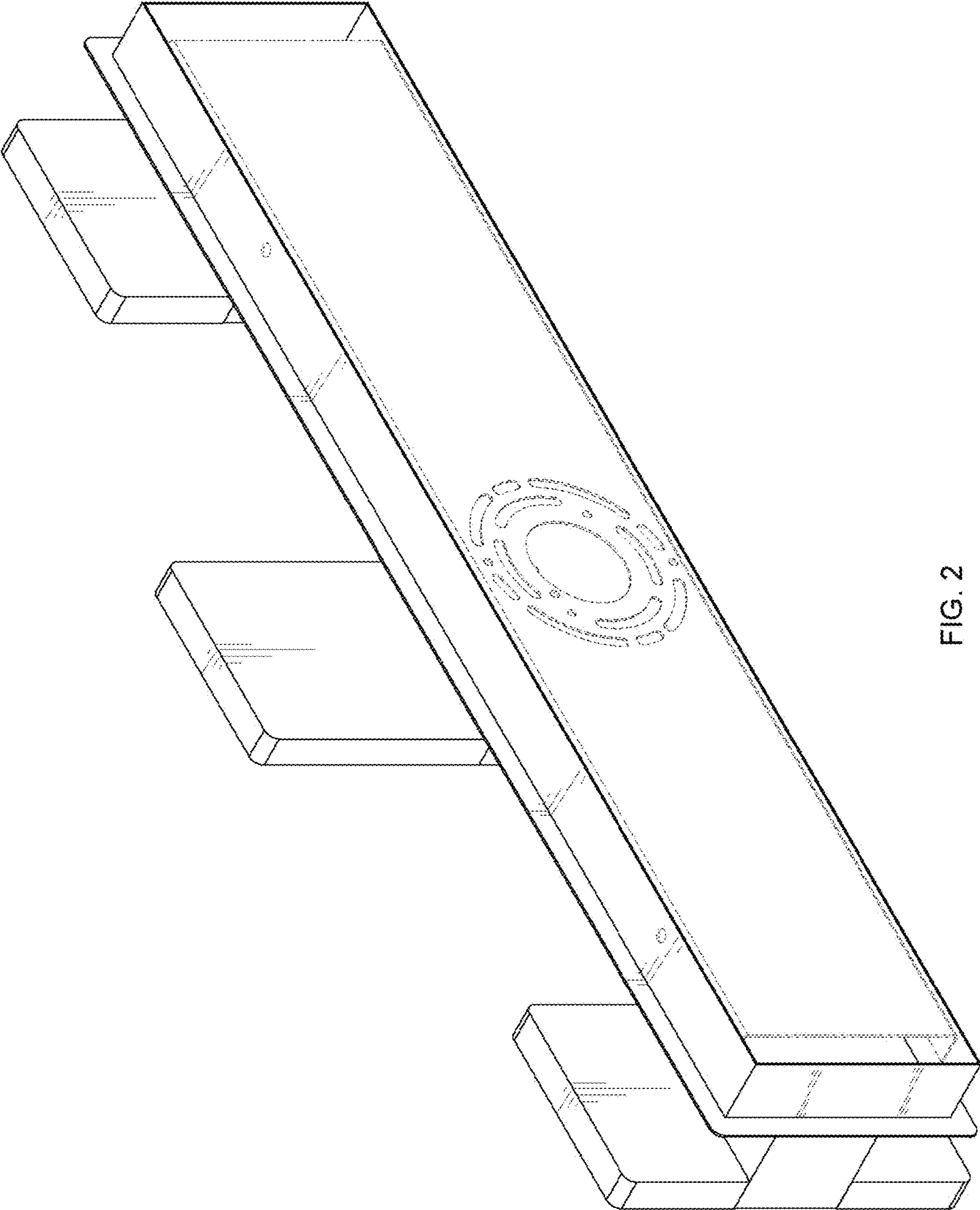


FIG. 2

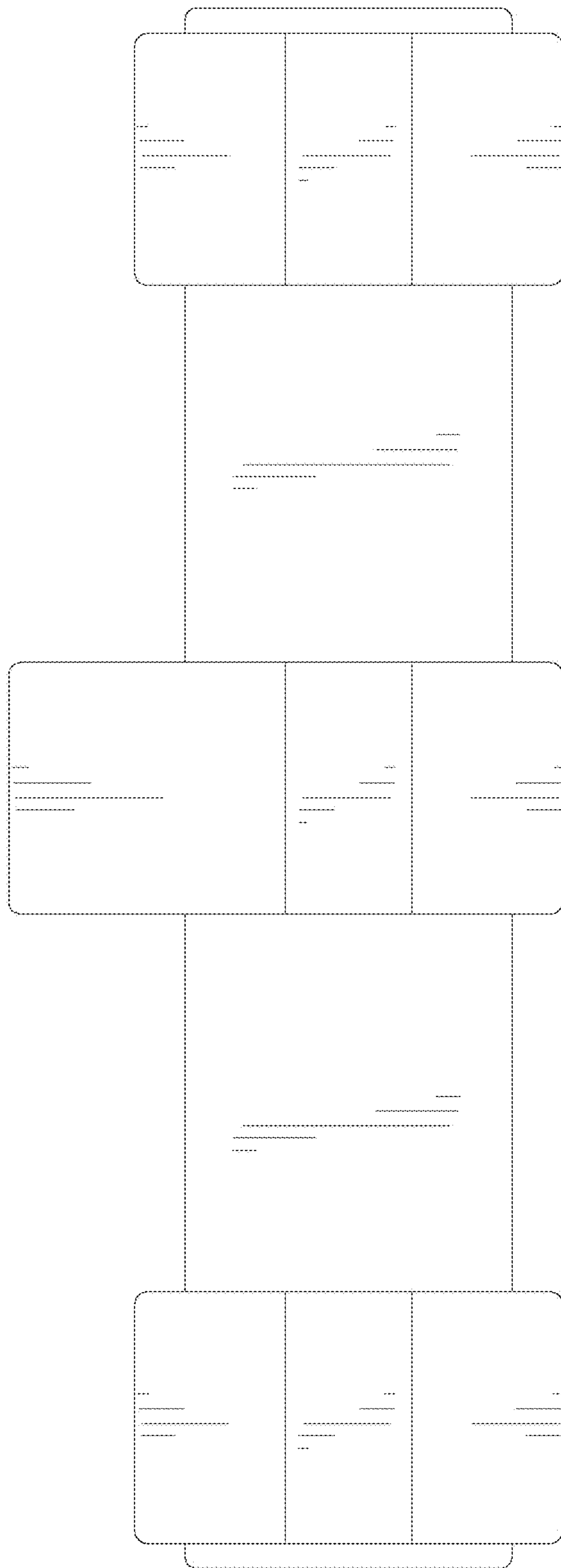


FIG. 3

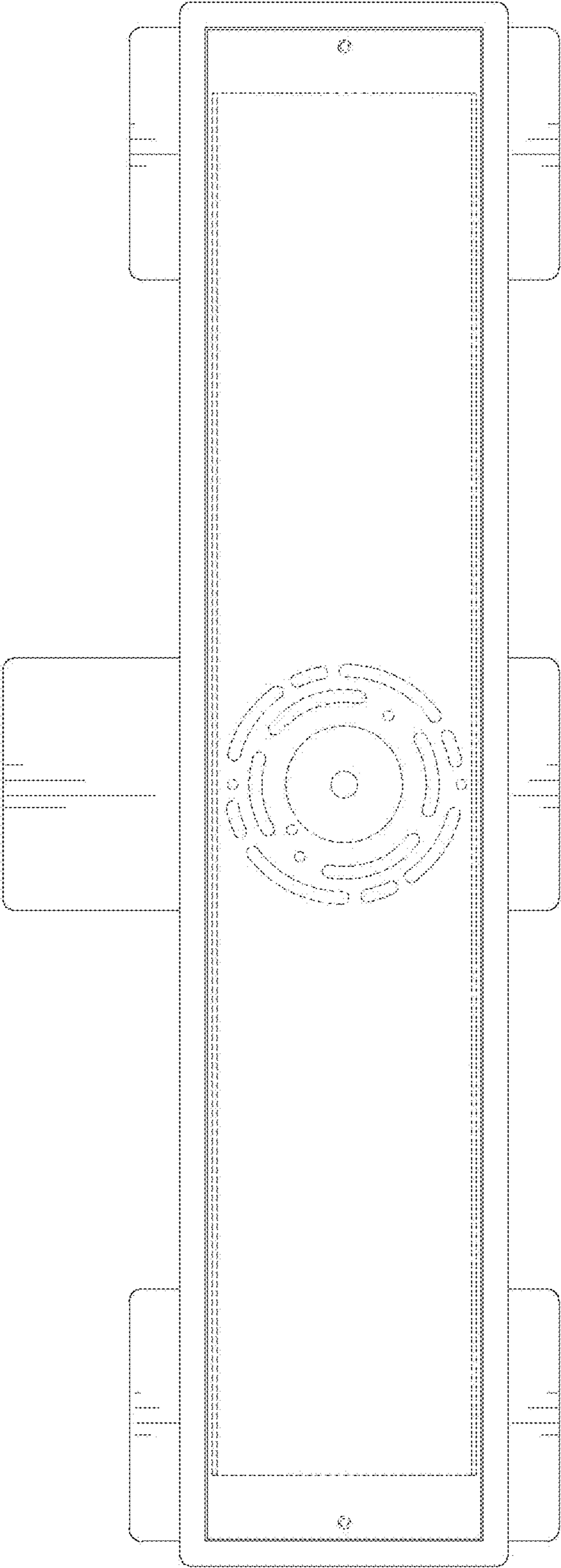


FIG. 4

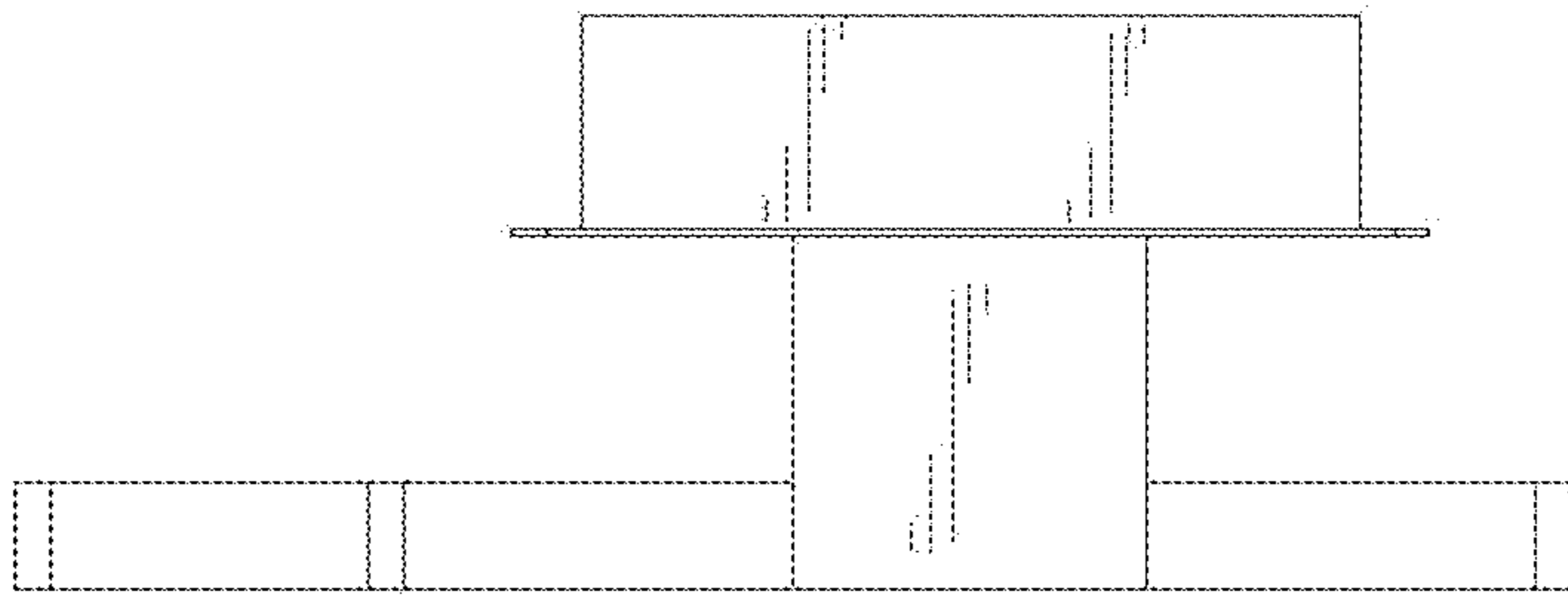


FIG. 5

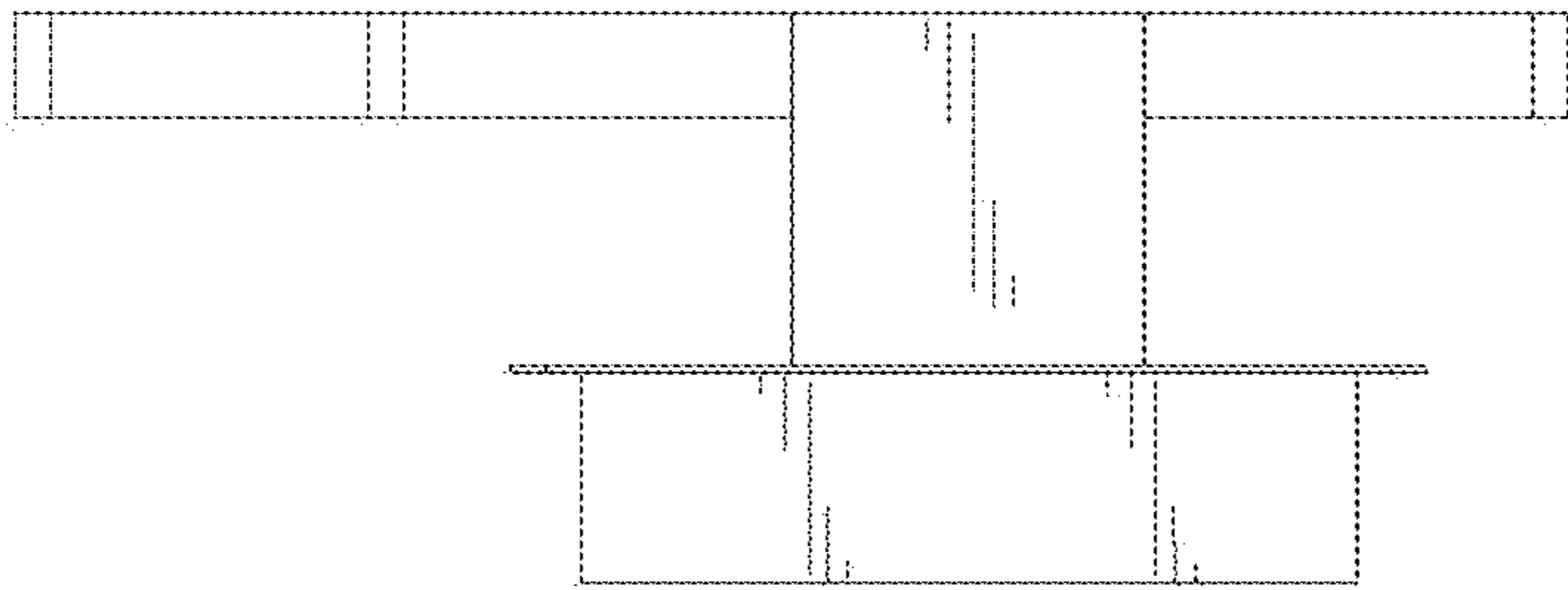


FIG. 6

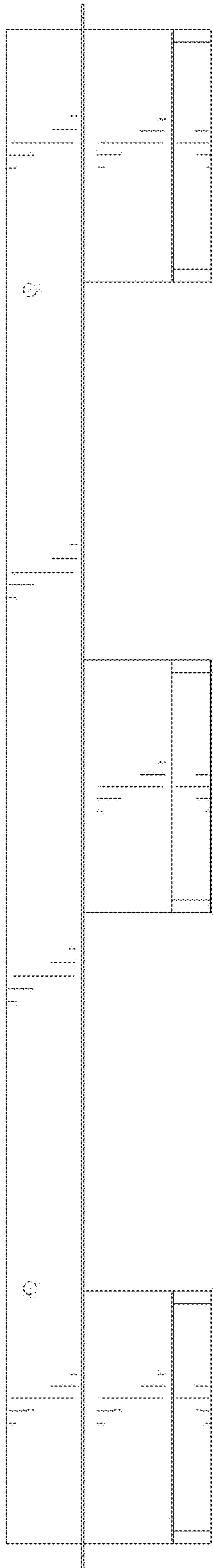


FIG. 7

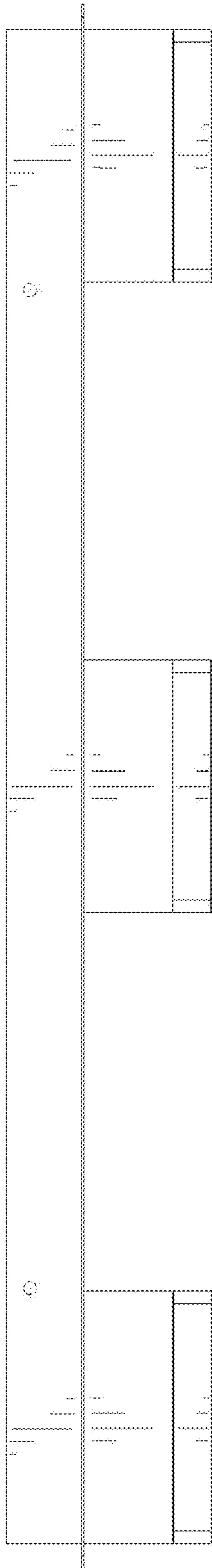


FIG. 8