



US00D954333S

(12) **United States Design Patent**
Huang

(10) **Patent No.:** **US D954,333 S**

(45) **Date of Patent:** **** Jun. 7, 2022**

(54) **PLANT LAMP**

(71) Applicant: **SHENZHEN HONDO LIGHTING TECHNOLOGY CO., LTD.**, Shenzhen (CN)

(72) Inventor: **Juanjuan Huang**, Shenzhen (CN)

(**) Term: **15 Years**

(21) Appl. No.: **29/801,665**

(22) Filed: **Jul. 30, 2021**

(51) **LOC (13) Cl.** **26-04**

(52) **U.S. Cl.**
USPC **D26/76**

(58) **Field of Classification Search**

USPC D26/72, 74, 76, 78-83, 85, 86, 88, 90,
D26/93, 111, 113, 118-122, 138, 139,
D26/140, 141, 142, 152

CPC F21S 2/00; F21S 4/00; F21S 4/003; F21S
4/005; F21S 4/006; F21S 4/007; F21S
4/008; F21S 6/00; F21S 8/00; F21S
8/024; F21S 8/026; F21S 8/031; F21S
8/033; F21S 8/035-037; F21S 8/04; F21S
8/043; F21S 8/063

See application file for complete search history.

(56) **References Cited**

U.S. PATENT DOCUMENTS

D544,985 S	*	6/2007	Hargreaves	D26/78
D804,077 S	*	11/2017	Ma	D26/76
D857,273 S		8/2019	Zou		
D893,076 S	*	8/2020	Liu	D26/76
D893,077 S	*	8/2020	Liu	D26/76
D893,078 S	*	8/2020	Liu	D26/76

D910,222 S	*	2/2021	Zhang	D26/72
D922,667 S	*	6/2021	Hu	D26/118
D925,105 S	*	7/2021	Johnson	D26/118
D927,770 S	*	8/2021	Hu	D26/118
D933,876 S	*	10/2021	Lin	D26/118

* cited by examiner

Primary Examiner — **Natasha Vujcic**

(57) **CLAIM**

The ornamental design for a plant lamp, as shown and described.

DESCRIPTION

FIG. 1 is a front and top perspective view of a plant lamp, showing my new design;

FIG. 2 is a rear and bottom perspective view thereof;

FIG. 3 is a front elevation view thereof;

FIG. 4 is a rear elevation view thereof;

FIG. 5 is a left side elevation view thereof;

FIG. 6 is a right side elevation view thereof;

FIG. 7 is a top plan view thereof;

FIG. 8 is a bottom plan view thereof;

FIG. 9 is an enlarged view of a portion labeled of a portion indicated with numeric 9 in FIG. 1;

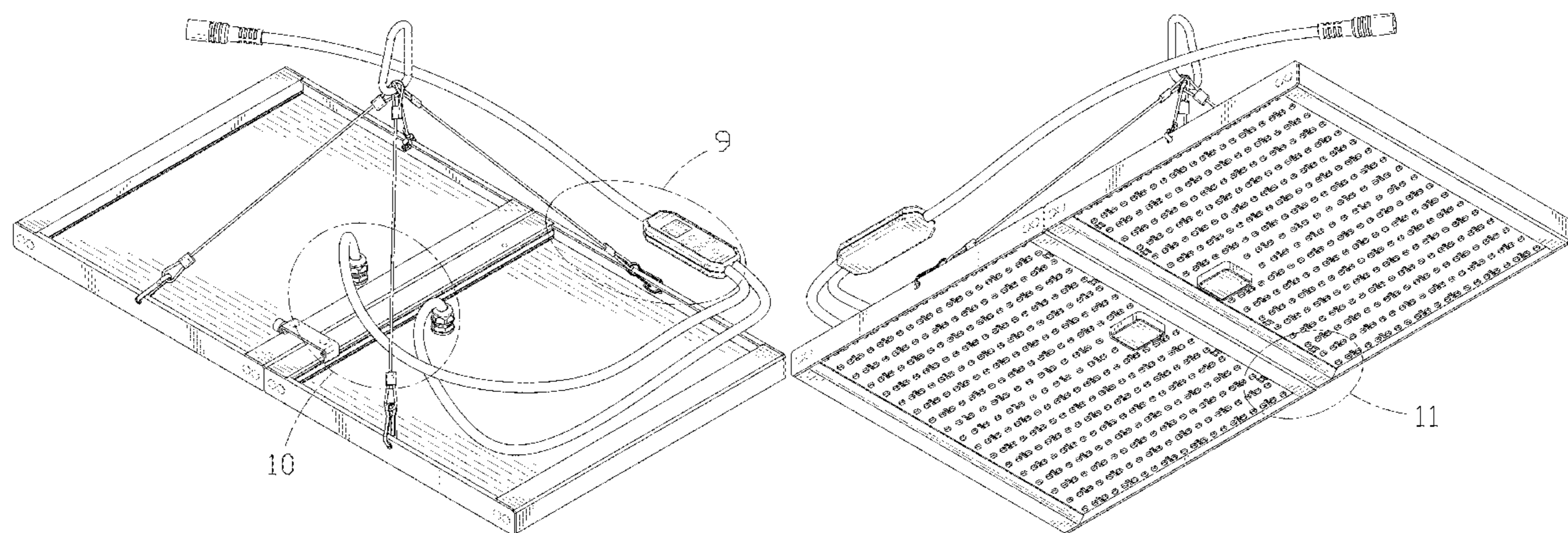
FIG. 10 is an enlarged view of a portion labeled of a portion indicated with numeric 10 in FIG. 1;

FIG. 11 is an enlarged view of a portion labeled of a portion indicated with numeric 11 in FIG. 2; and,

FIG. 12 is exploded view thereof.

The broken lines in the figures illustrate portions of the plant lamp that form no part of the claimed design. The dash dot dash lines in FIGS. 1, 2, 9, 10 and 11 are for the purpose of depicting the boundary lines of the enlarged views and form no part of the claimed design.

1 Claim, 12 Drawing Sheets



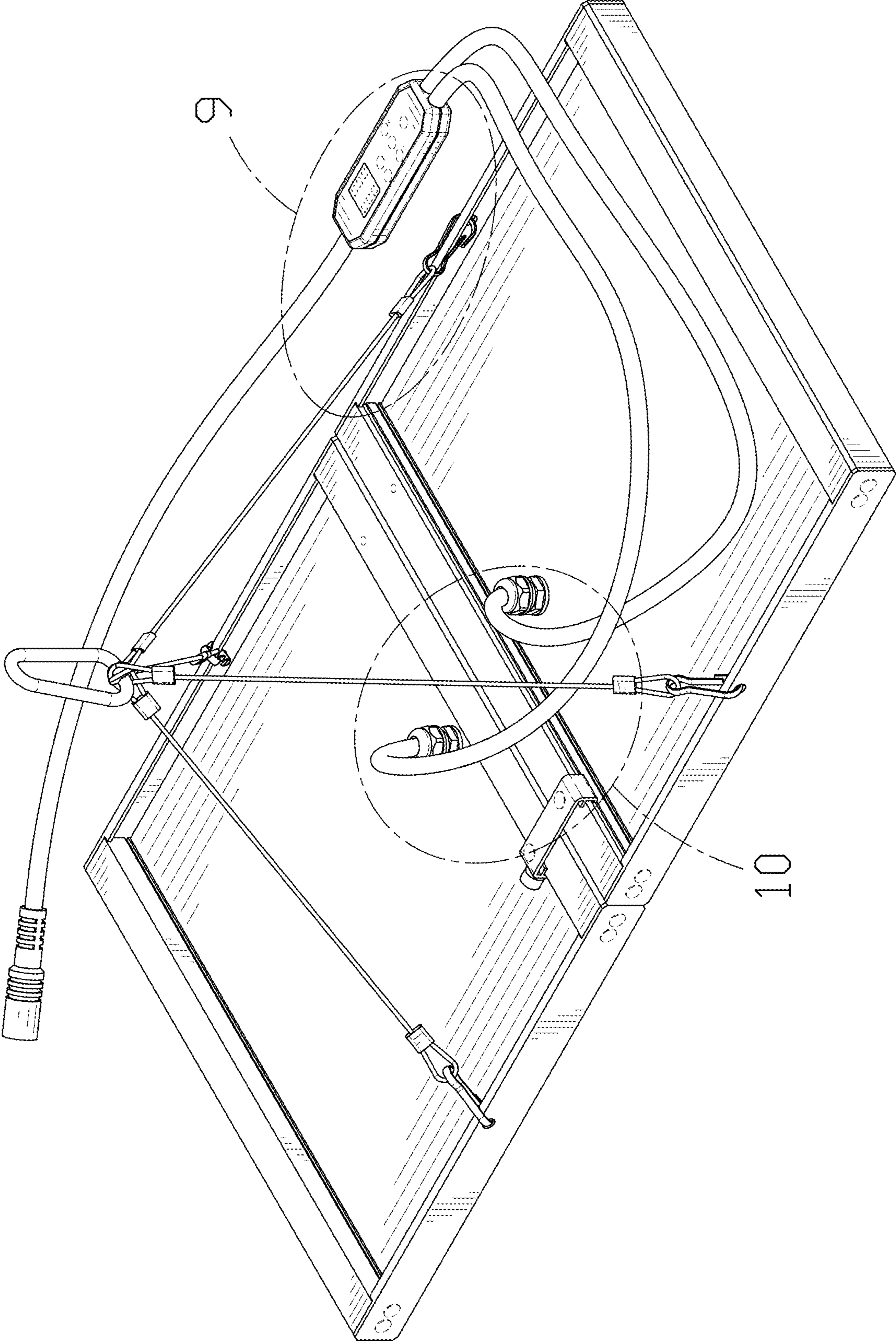


FIG. 1

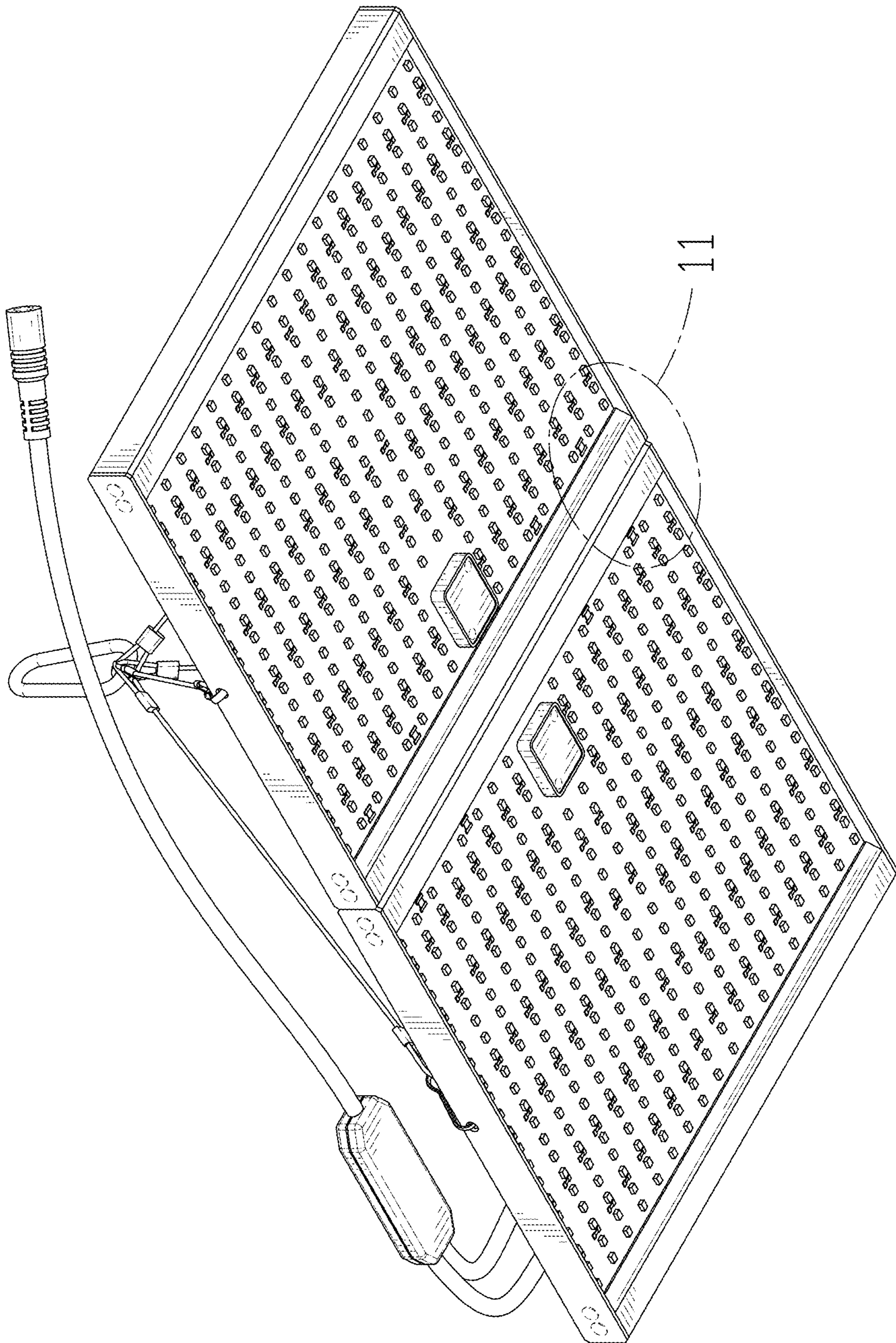


FIG. 2

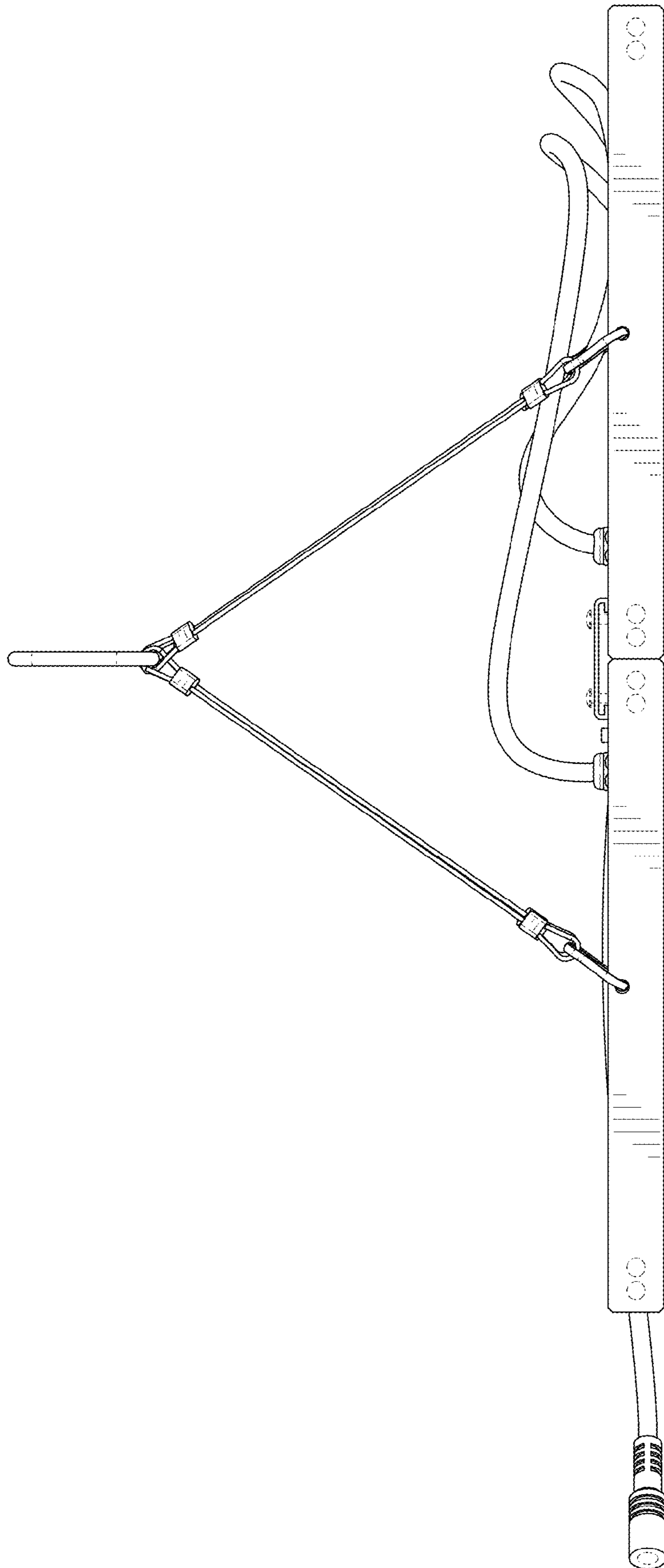


FIG. 3

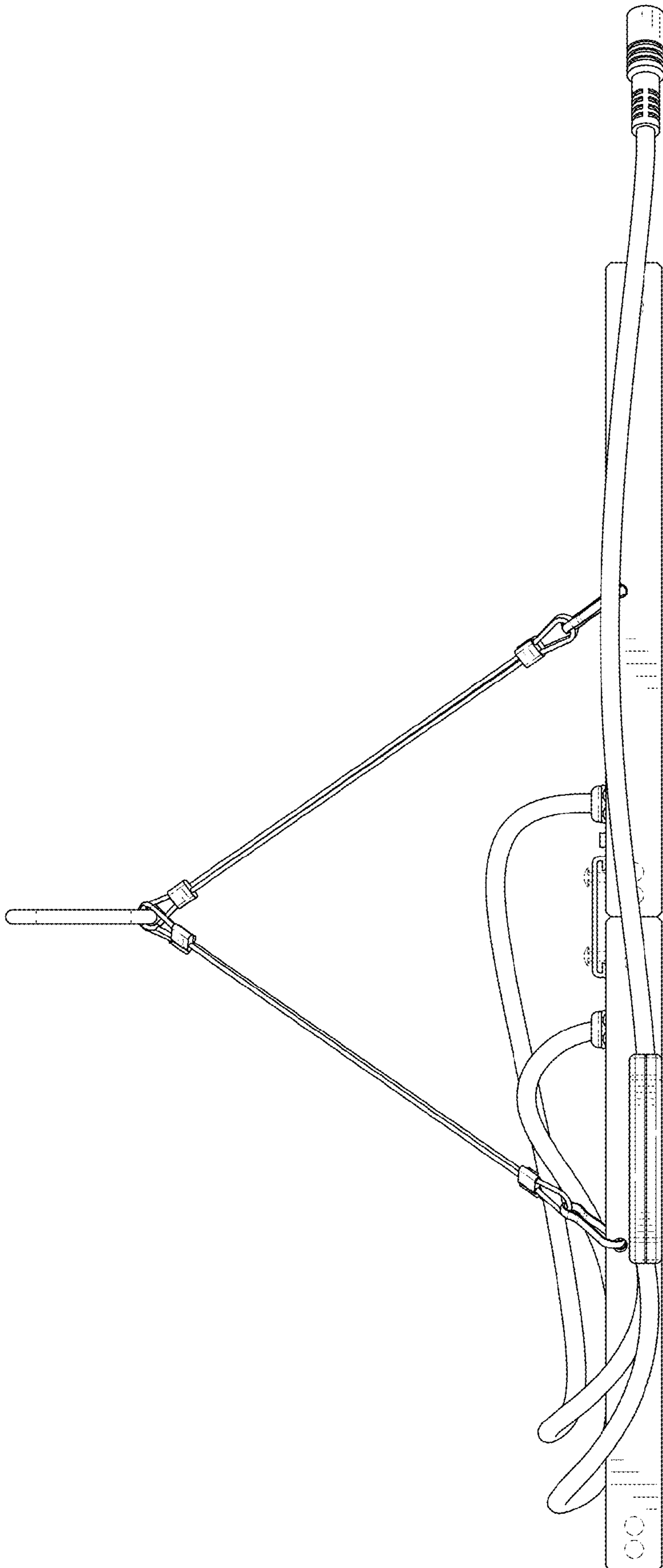


FIG. 4

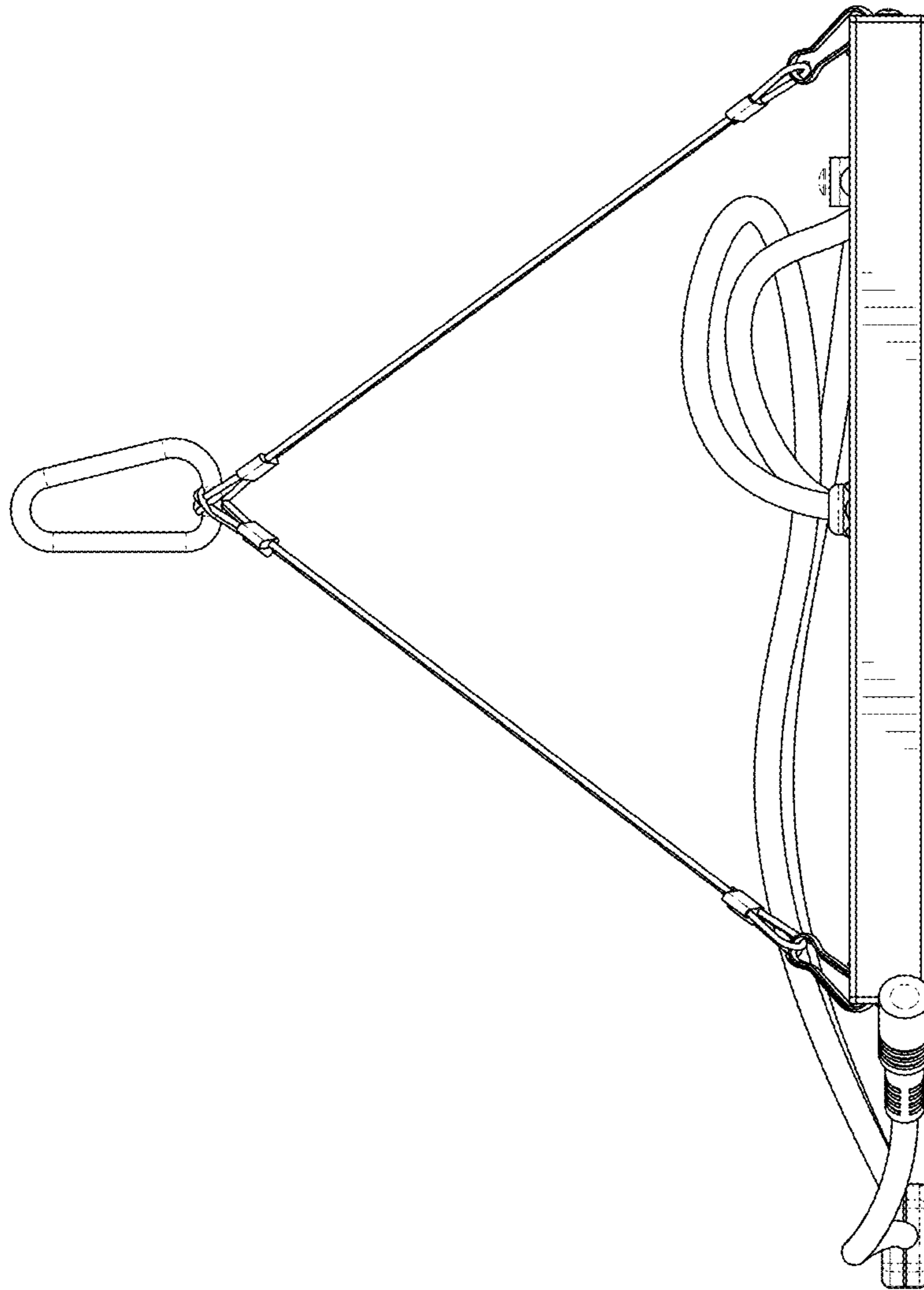


FIG. 5

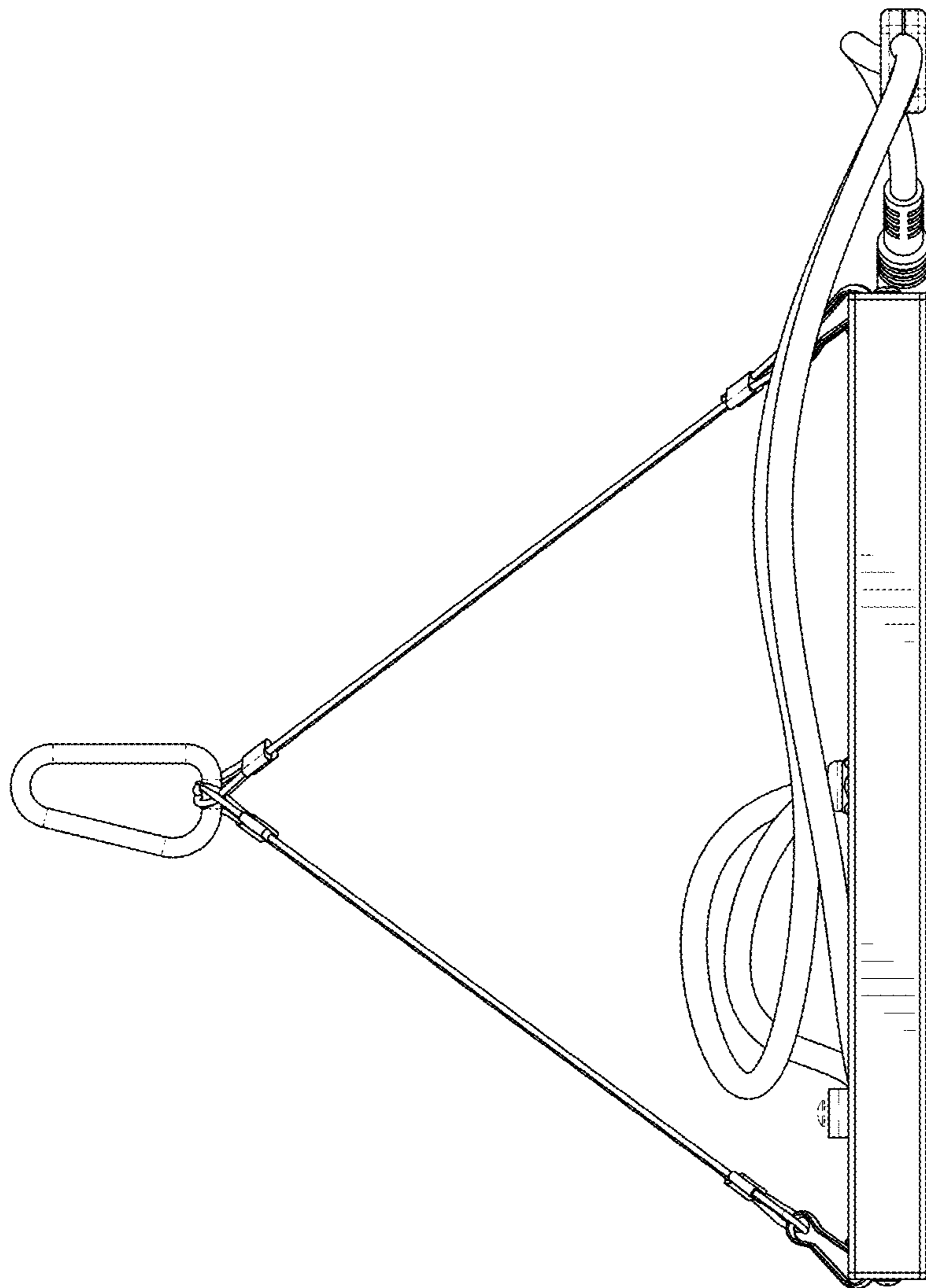


FIG. 6

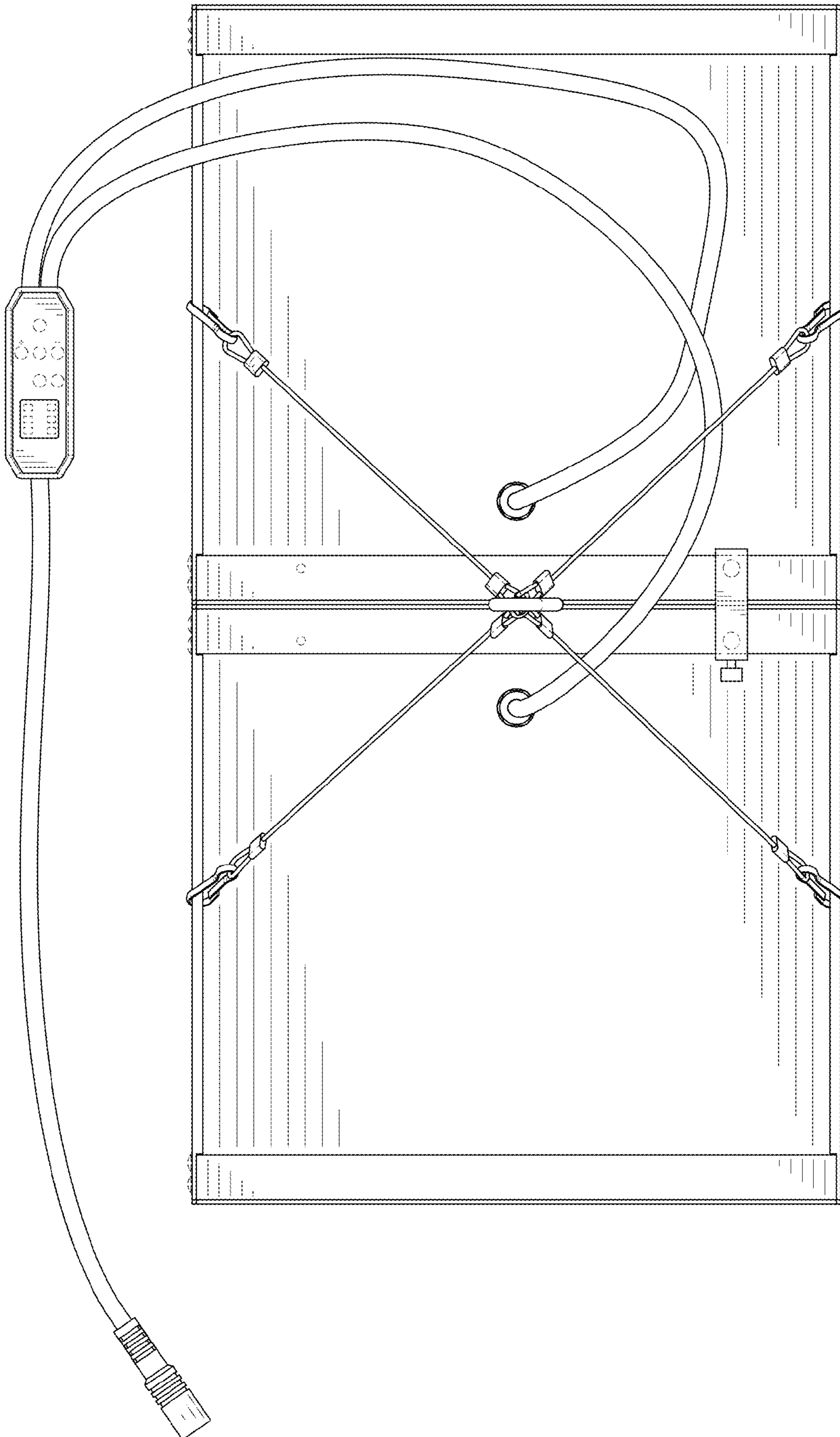


FIG. 7

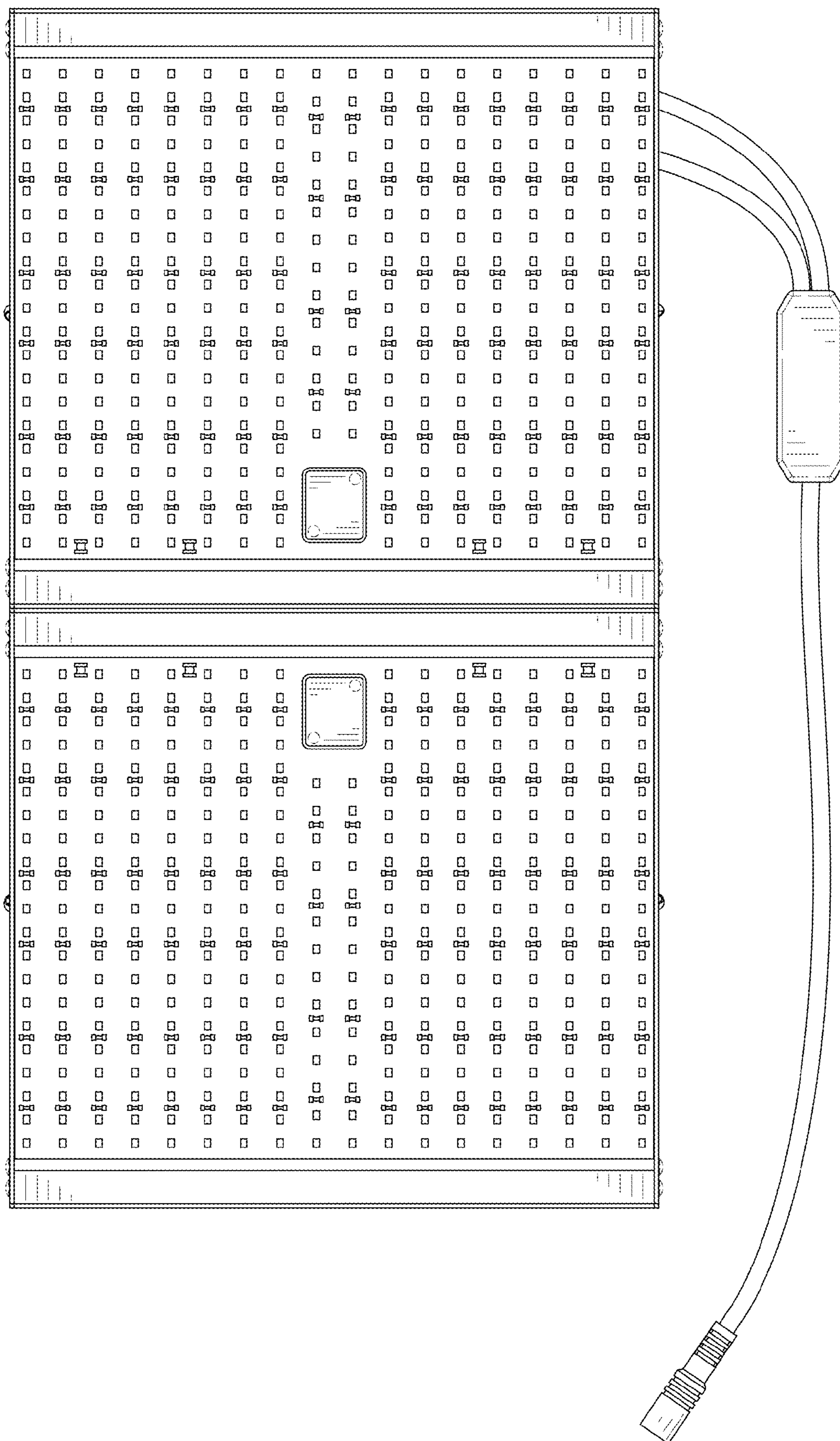


FIG. 8

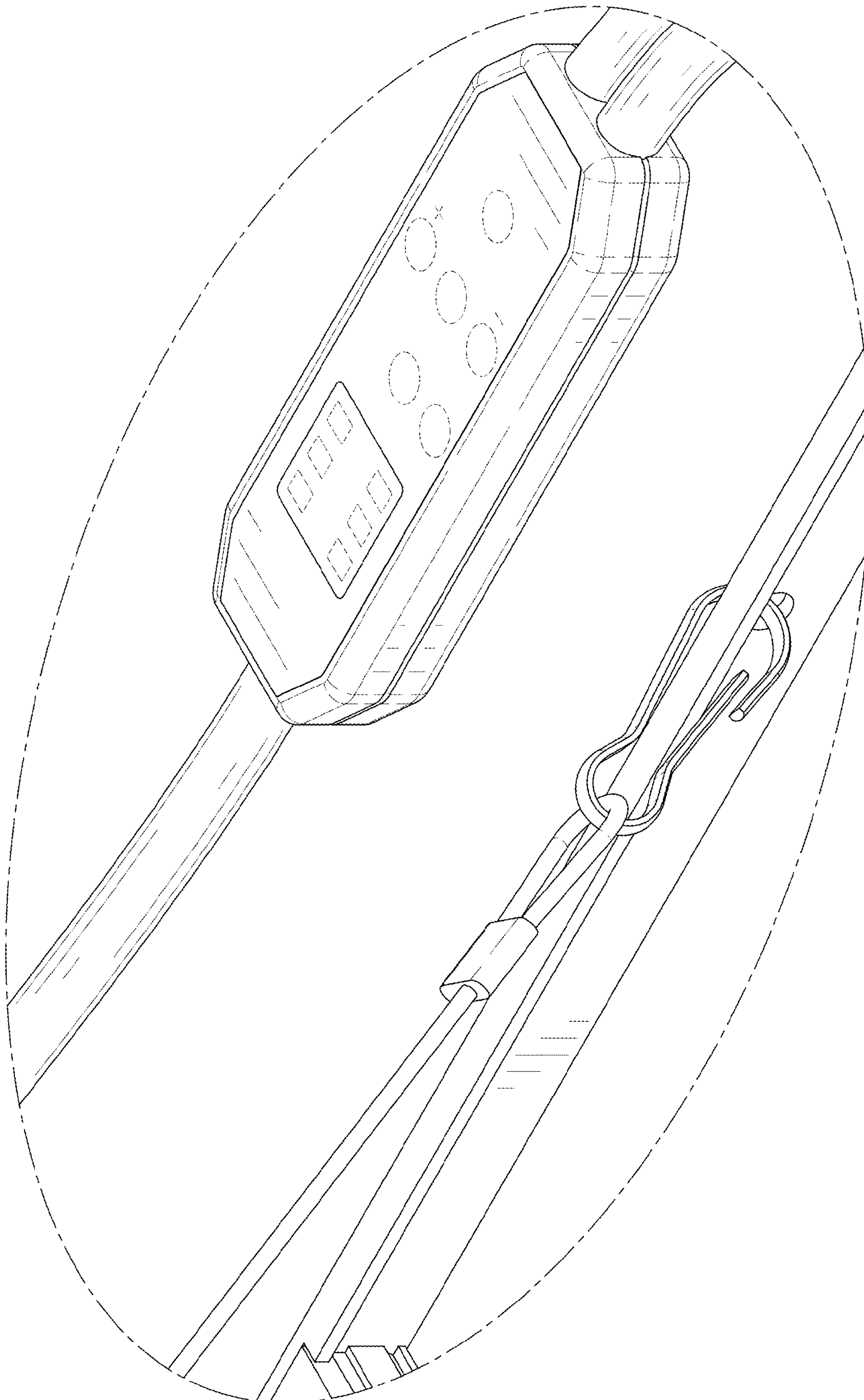


FIG. 9

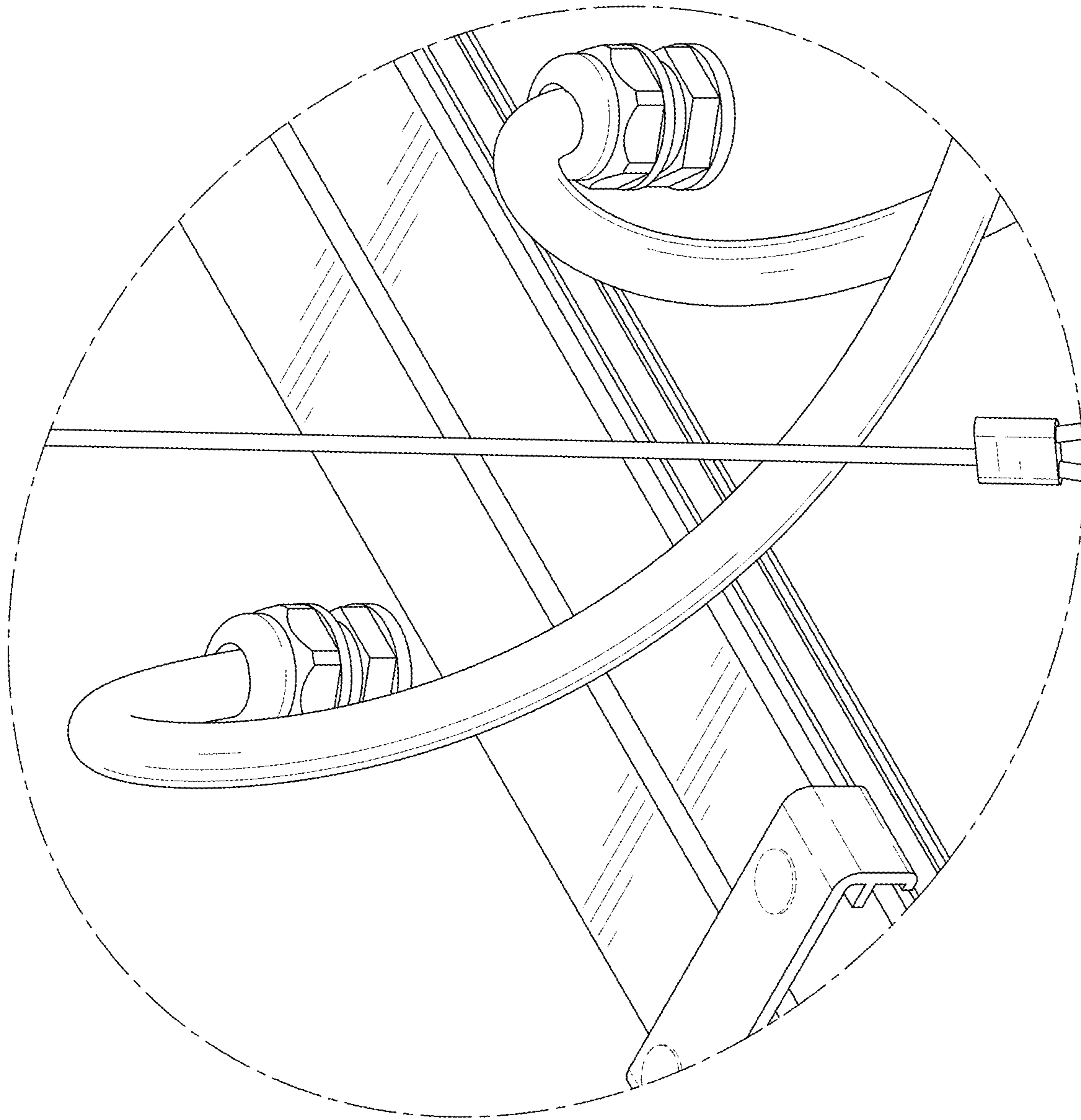


FIG. 10

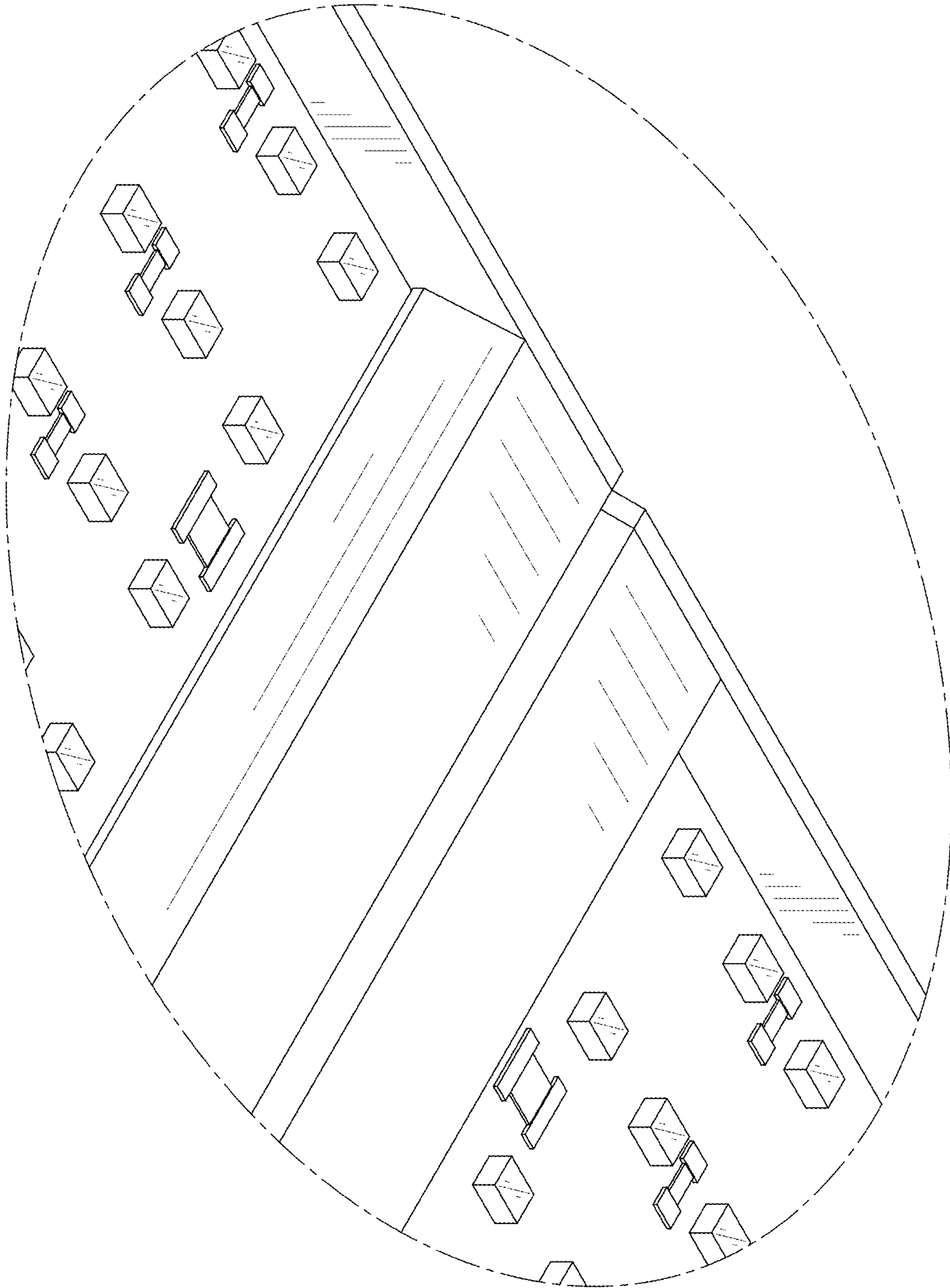


FIG. 11

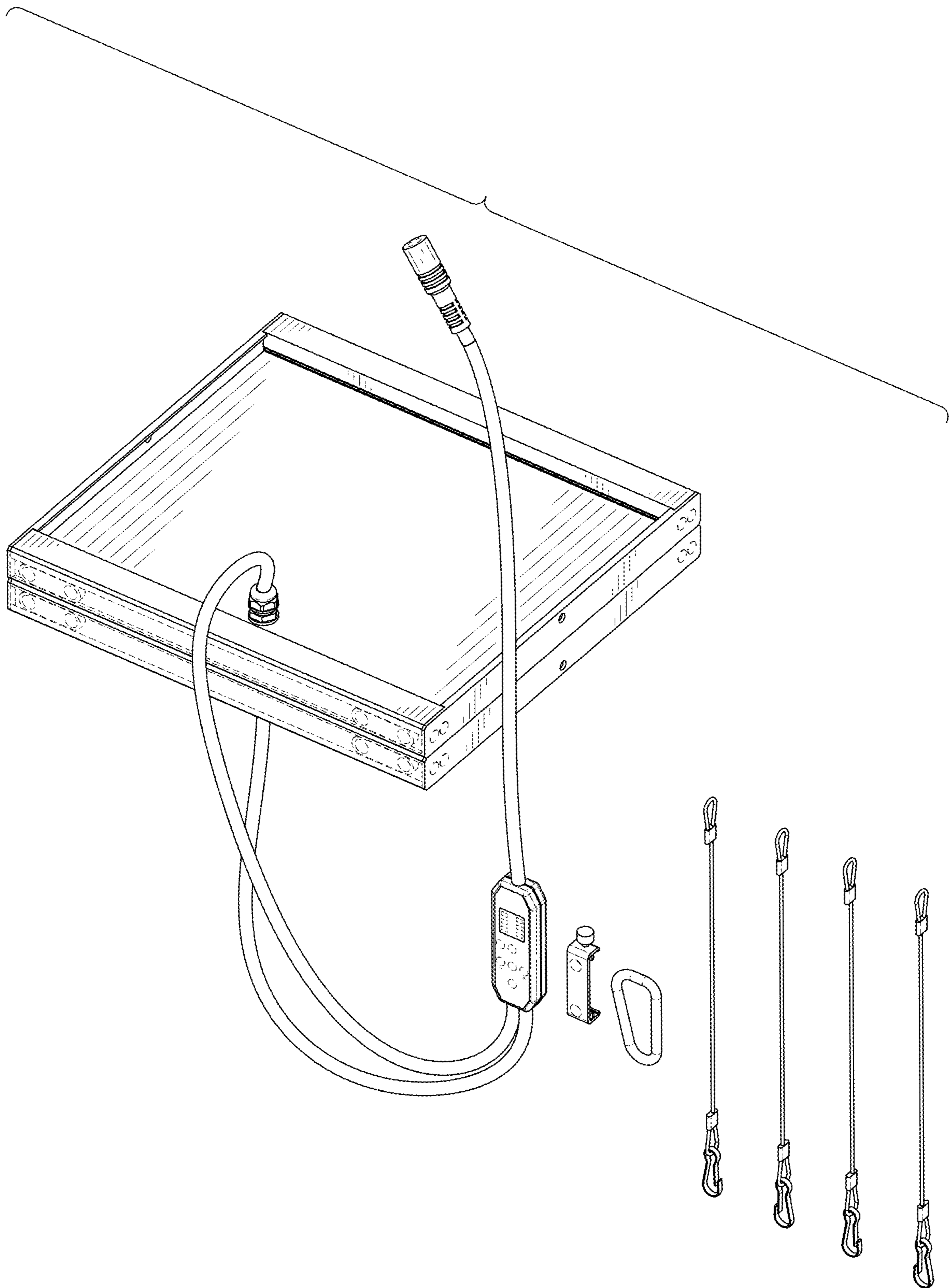


FIG. 12