

US00D954332S

(12) **United States Design Patent**
Yang et al.

(10) **Patent No.:** **US D954,332 S**
(45) **Date of Patent:** **** Jun. 7, 2022**

- (54) **LED LIGHT FIXTURE**
- (71) Applicant: **EATON INTELLIGENT POWER LIMITED**, Dublin (IE)
- (72) Inventors: **Yang Yang**, Dublin (IE); **Srinath K. Aanegola**, Dublin (IE); **Peihuan Liu**, Dublin (IE)
- (73) Assignee: **EATON INTELLIGENT POWER LIMITED**, Dublin (IE)

D841,860	S	*	2/2019	Honda	D26/76
D854,727	S	*	7/2019	Cole	D26/76
D869,051	S	*	12/2019	Scarlata	D26/76
D878,658	S	*	3/2020	Cercone	D26/76
10,584,831	B2	*	3/2020	Honda	F21V 15/01
10,775,035	B2	*	9/2020	Treible, Jr.	F21V 25/12
D921,956	S	*	6/2021	Agee	D26/76
D928,350	S	*	8/2021	Burmeister	D26/24
D929,015	S	*	8/2021	Lewis, Jr.	D26/76
D938,091	S	*	12/2021	Fang	D26/76

(Continued)

(**) Term: **15 Years**

(21) Appl. No.: **29/739,547**

(22) Filed: **Jun. 26, 2020**

(30) **Foreign Application Priority Data**

Dec. 27, 2019 (CN) 201930734575.X

(51) **LOC (13) Cl.** **26-04**

(52) **U.S. Cl.**
USPC **D26/76**

(58) **Field of Classification Search**
USPC D26/72, 74-77, 80, 85, 89, 90, 118;
362/249.02, 249.01, 373, 382
CPC F21V 31/04; F21V 23/00; F21V 23/003;
F21V 23/007; F21V 25/12; F21V 3/062;
F21V 15/01; F21Y 2103/00

See application file for complete search history.

(56) **References Cited**

U.S. PATENT DOCUMENTS

D496,122	S	*	9/2004	Kan	D26/76
D704,877	S	*	5/2014	Szoke	D26/76
D736,990	S	*	8/2015	Chen	D26/120
D758,634	S	*	6/2016	Burmeister	D26/77
D760,416	S	*	6/2016	Hoch	D26/72
D760,418	S	*	6/2016	Muchandi	D26/76
D773,108	S	*	11/2016	Anderson	D26/118
D787,107	S	*	5/2017	Burmeister	D26/76

FOREIGN PATENT DOCUMENTS

EP 3073187 A1 9/2016

OTHER PUBLICATIONS

RAB Lighting INC, Waterproof LED Light Fixture. First available Oct. 28, 2015. Searched on Jan. 26, 2022. Questel serial number of registration 161836 (Year: 2015).*

(Continued)

Primary Examiner — Samantha Q Lawrence
Assistant Examiner — Melissa Adriane Santos
(74) *Attorney, Agent, or Firm* — Armstrong Teasdale LLP

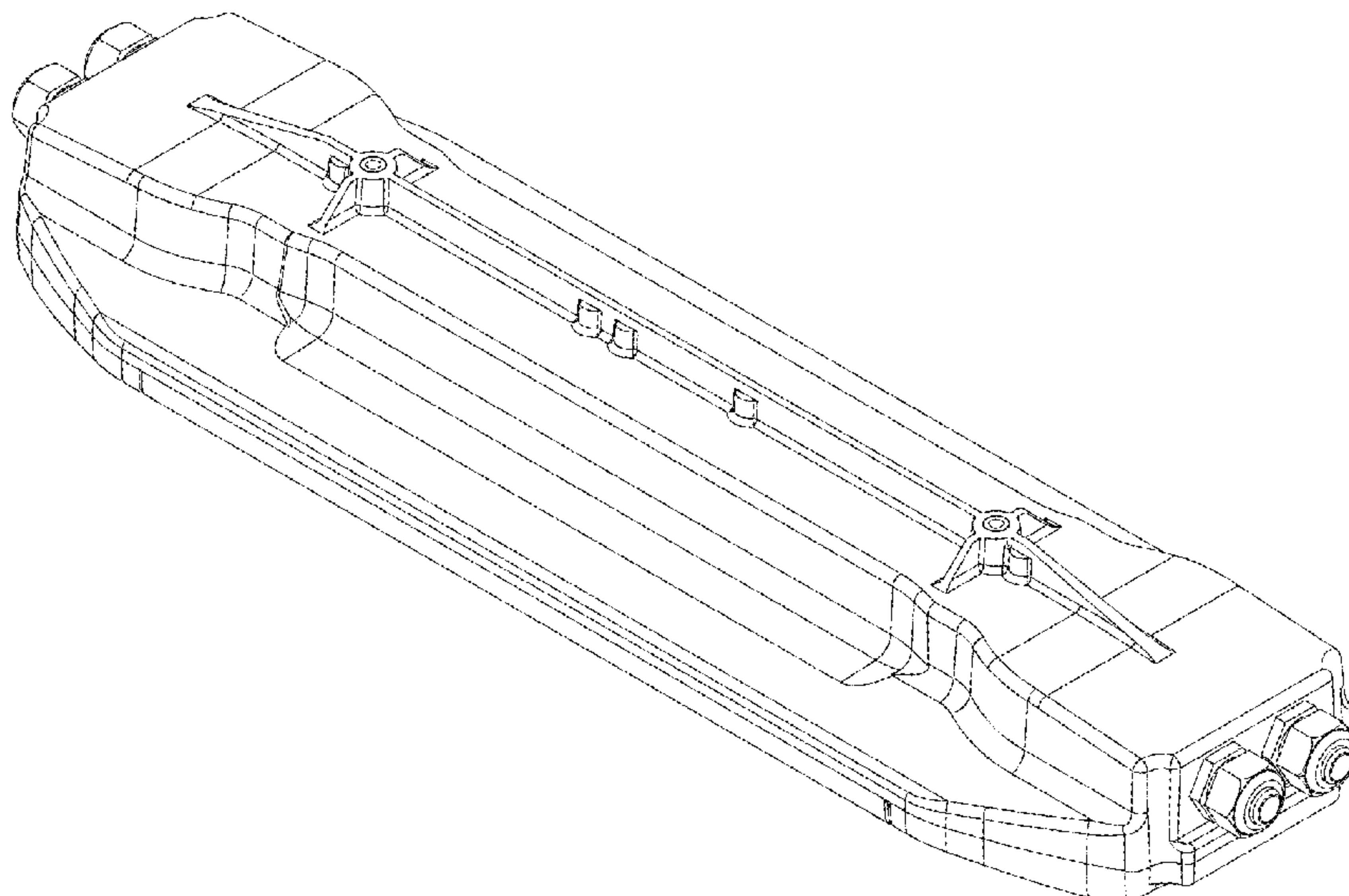
(57) **CLAIM**

We claim the ornamental design for an LED light fixture, as substantially shown and described.

DESCRIPTION

FIG. 1 is a top perspective view of an LED light fixture;
FIG. 2 is a bottom perspective view thereof;
FIG. 3 is a bottom view thereof;
FIG. 4 is a top view thereof;
FIG. 5 is a front view thereof;
FIG. 6 is a rear view thereof;
FIG. 7 is a left side view thereof; and,
FIG. 8 is a right side view thereof.

1 Claim, 8 Drawing Sheets



(56)

References Cited

U.S. PATENT DOCUMENTS

2007/0153520 A1* 7/2007 Curran F21V 31/04
362/253
2010/0157596 A1* 6/2010 Wen F21V 31/005
362/235
2011/0199766 A1* 8/2011 Shibusawa F21V 7/28
362/235
2012/0217883 A1 8/2012 Cho et al.
2012/0250302 A1 10/2012 Edwards et al.
2013/0314921 A1* 11/2013 Chen F21V 25/12
362/249.02
2014/0204570 A1* 7/2014 Burmeister F21V 17/164
362/218
2015/0128409 A1* 5/2015 Chen F21V 27/02
29/829
2016/0126427 A1* 5/2016 Chen F21V 29/74
362/294
2016/0356475 A1* 12/2016 Honda F21V 5/04
2018/0313503 A1 11/2018 Sonneman
2019/0101275 A1 4/2019 Lin et al.
2020/0386397 A1* 12/2020 Lewis, Jr. F21K 9/275
2021/0199278 A1* 7/2021 Yang H05B 45/56

OTHER PUBLICATIONS

Dialight, SafeSite® LED Linear Light. First available unknown. Searched on Jan. 26, 2022. [<https://www.dialight.com/product/products-solutions/linear-lights/safesite-grp-linear/>] (Year: 2022).*

LED Lighting Supply, 20W LED Vapor Proof Light. First available unknown. Searched on Jan. 26, 2022. [<https://www.ledlightingsupply.com/industrial-lighting/led-explosion-proof/20-watt-vapor-proof-light-2600-lumens>] (Year: 2022).*

Raytec, Spartan SPX Linear LED Zone 1/21 Linear Luminaire. First available unknown. Searched on Jan. 26, 2022. [<https://www.heatingandprocess.com/product/product-category/atex-light-fittings-zone-1-wl84-3065-lumens/>] (Year: 2022).*

Appleton, ATX FE Series Nonmetallic Fluorescent Luminaires. First available unknown. Searched on Jan. 26, 2022. [<https://www.appleton.emerson.com/catalog/en-us/shop/appleton/task-lighting/appleton-sku-feb118busn?locale=en-us>] (Year: 2022).*

Extended European Search Report for EP Patent Application No. 20217919.8, dated May 14, 2021, 10 pages.

* cited by examiner

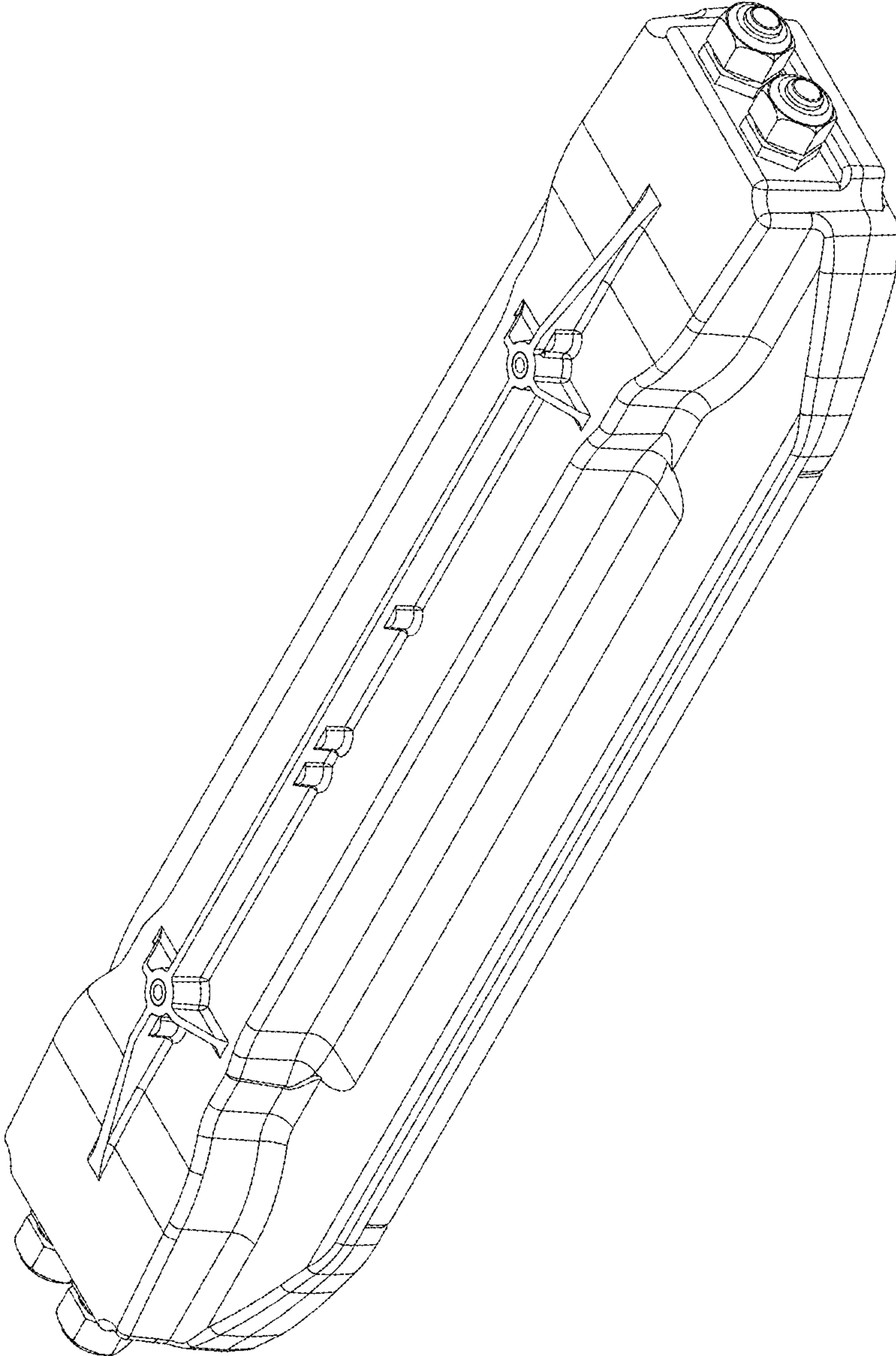


FIG. 1

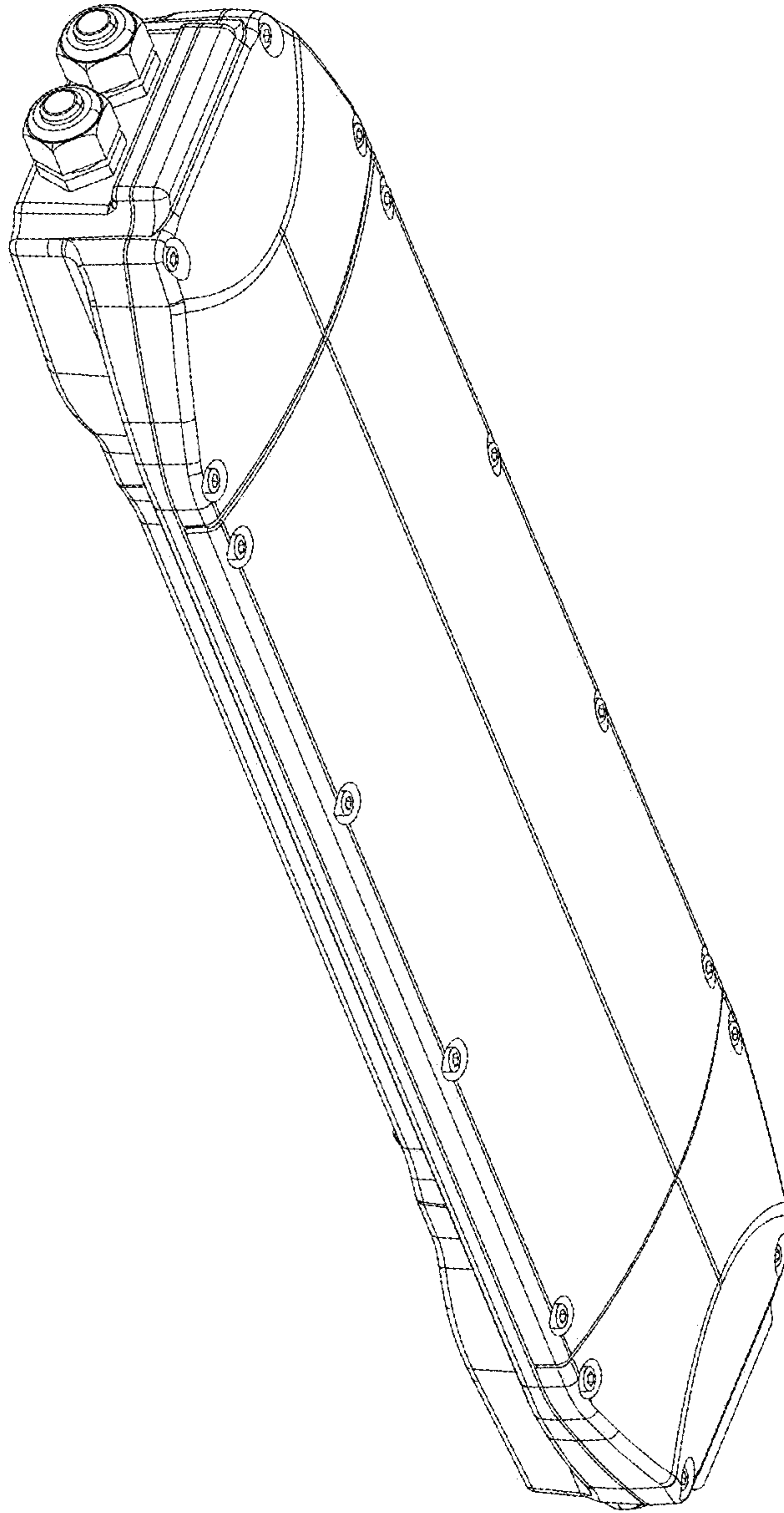


FIG. 2

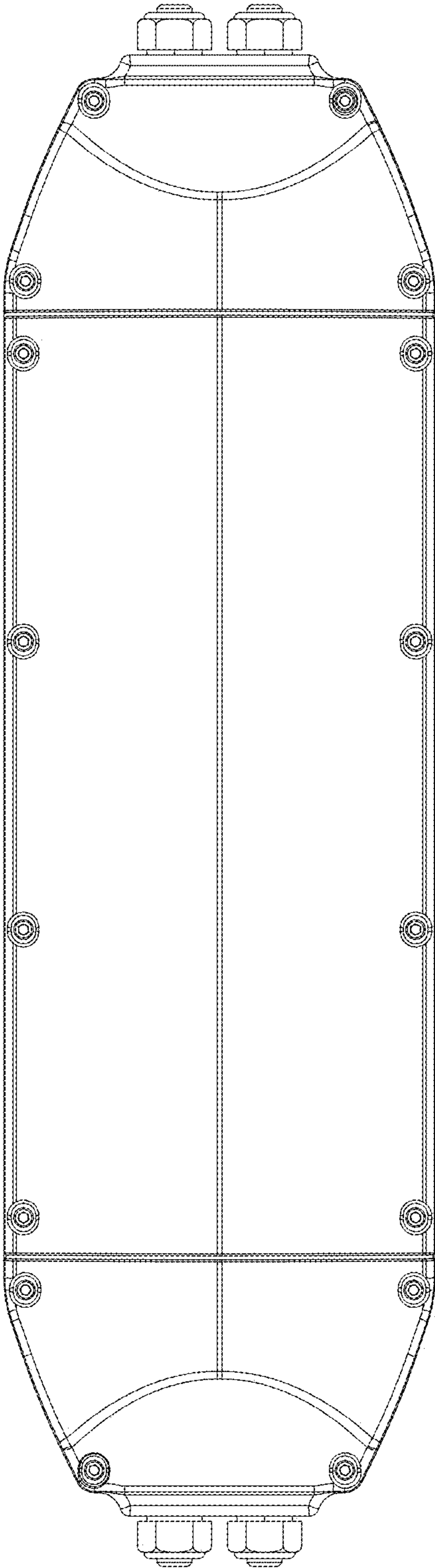


FIG. 3

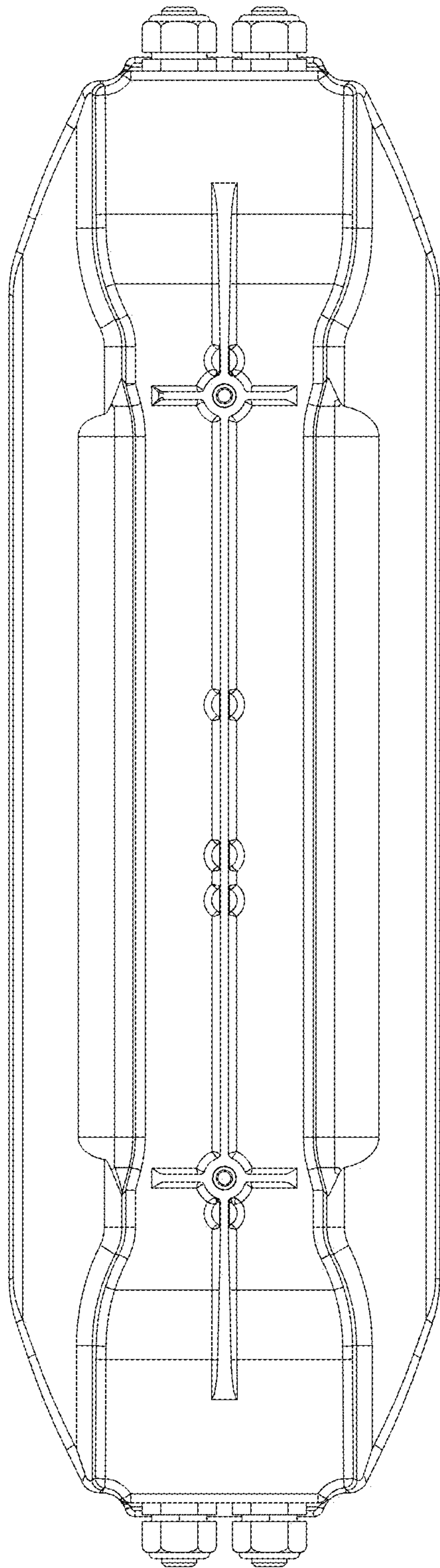


FIG. 4

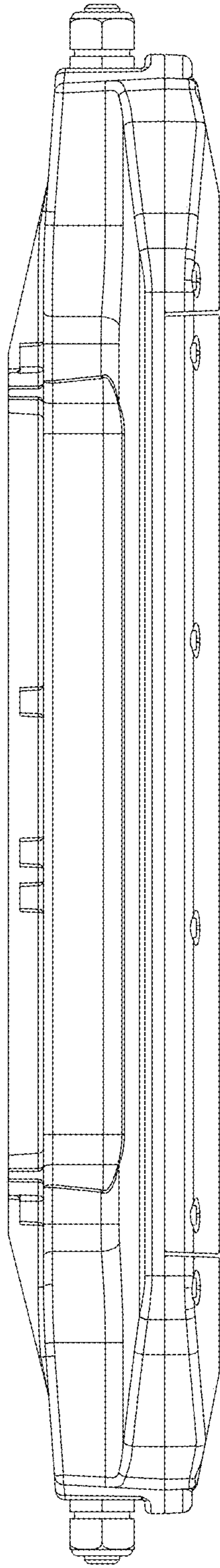


FIG. 5

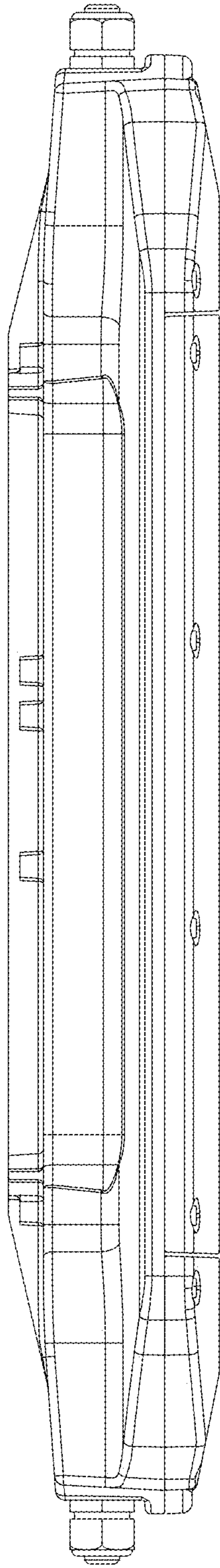


FIG. 6

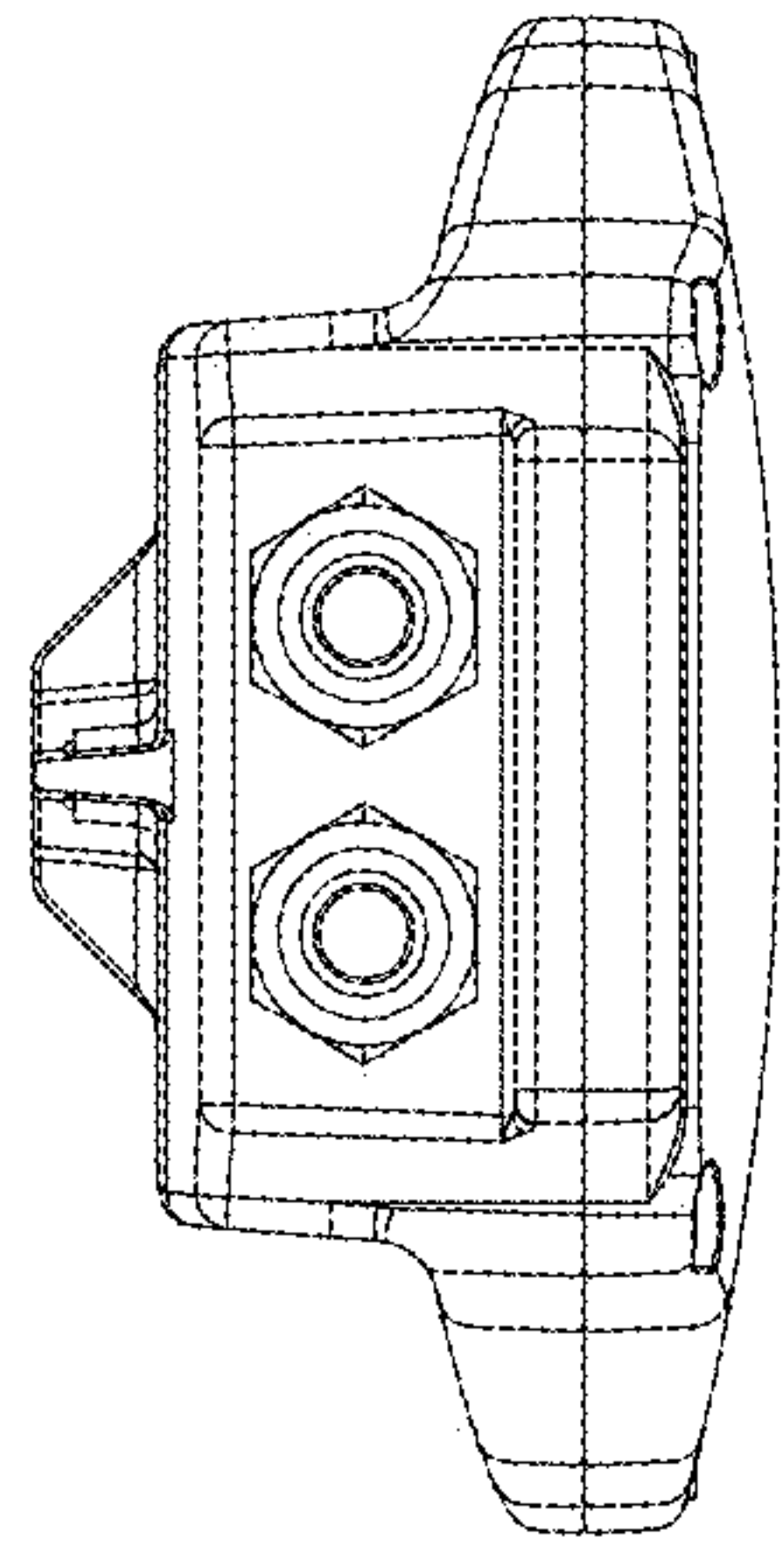


FIG. 7

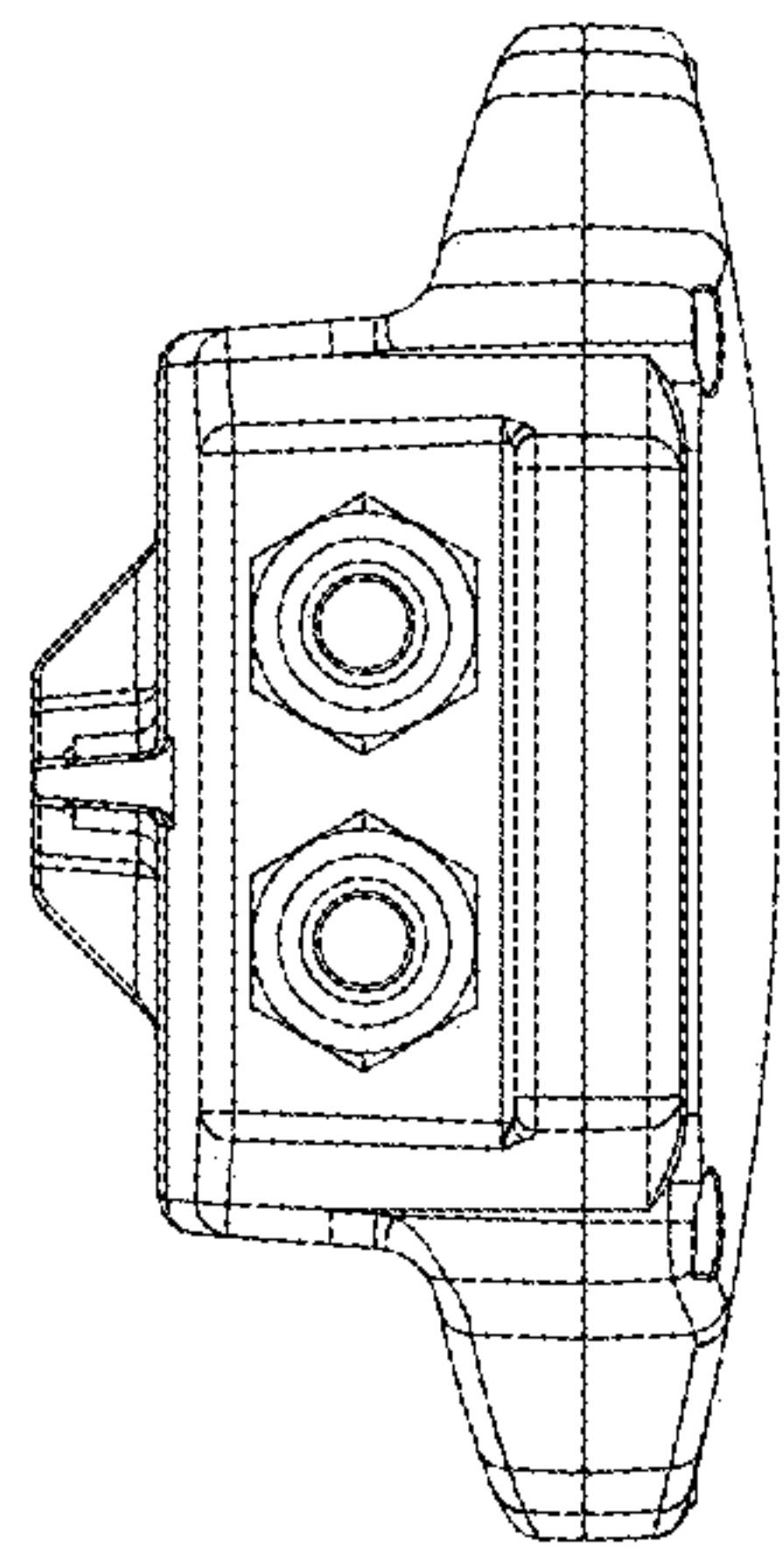


FIG. 8