



US00D954331S

(12) **United States Design Patent** (10) **Patent No.:** **US D954,331 S**
Wilcox et al. (45) **Date of Patent:** **** Jun. 7, 2022**

(54) **LUMINAIRE**

- (71) Applicant: **Hubbell Lighting, Inc.**, Shelton, CT (US)
- (72) Inventors: **Shawn Wilcox**, Gray Court, SC (US);
Connie Steadman, Taylors, SC (US)
- (73) Assignee: **Hubbell Incorporated**, Shelton, CT (US)
- (**) Term: **15 Years**
- (21) Appl. No.: **29/761,307**
- (22) Filed: **Dec. 8, 2020**

Related U.S. Application Data

- (62) Division of application No. 29/723,066, filed on Feb. 4, 2020, now Pat. No. Des. 904,664, which is a division of application No. 29/619,353, filed on Sep. 28, 2017, now Pat. No. Des. 877,956.
- (51) **LOC (13) Cl.** **26-05**
- (52) **U.S. Cl.**
USPC **D26/74**
- (58) **Field of Classification Search**
USPC D26/24, 74
CPC .. F21S 8/02; F21S 8/026; F21V 21/04; F21V 21/044; F21V 29/78; F21V 7/00; F21Y 2101/00; F21Y 2115/10
See application file for complete search history.

(56) **References Cited**

U.S. PATENT DOCUMENTS

D321,949 S	11/1991	Miller
D448,880 S	10/2001	Benghozi
D591,894 S	5/2009	Flank
D610,280 S	2/2010	Hua
D640,819 S	6/2011	Pan
D646,011 S	9/2011	Rashidi
D656,262 S	3/2012	Yoshinobu
D659,879 S	5/2012	Rashidi

(Continued)

OTHER PUBLICATIONS

AL-D2LED Prescolite. Found online Mar. 25, 2019 at www.archlighting.com. Page dated May 1, 2010. Retrieved from URL:https://www.archlighting.com/products/wallwashers/d2led-prescolite_o (Year 2012).

(Continued)

Primary Examiner — Mary Ann Calabrese
Assistant Examiner — Katelin G Kloberg
(74) *Attorney, Agent, or Firm* — Michael Best & Friedrich LLP

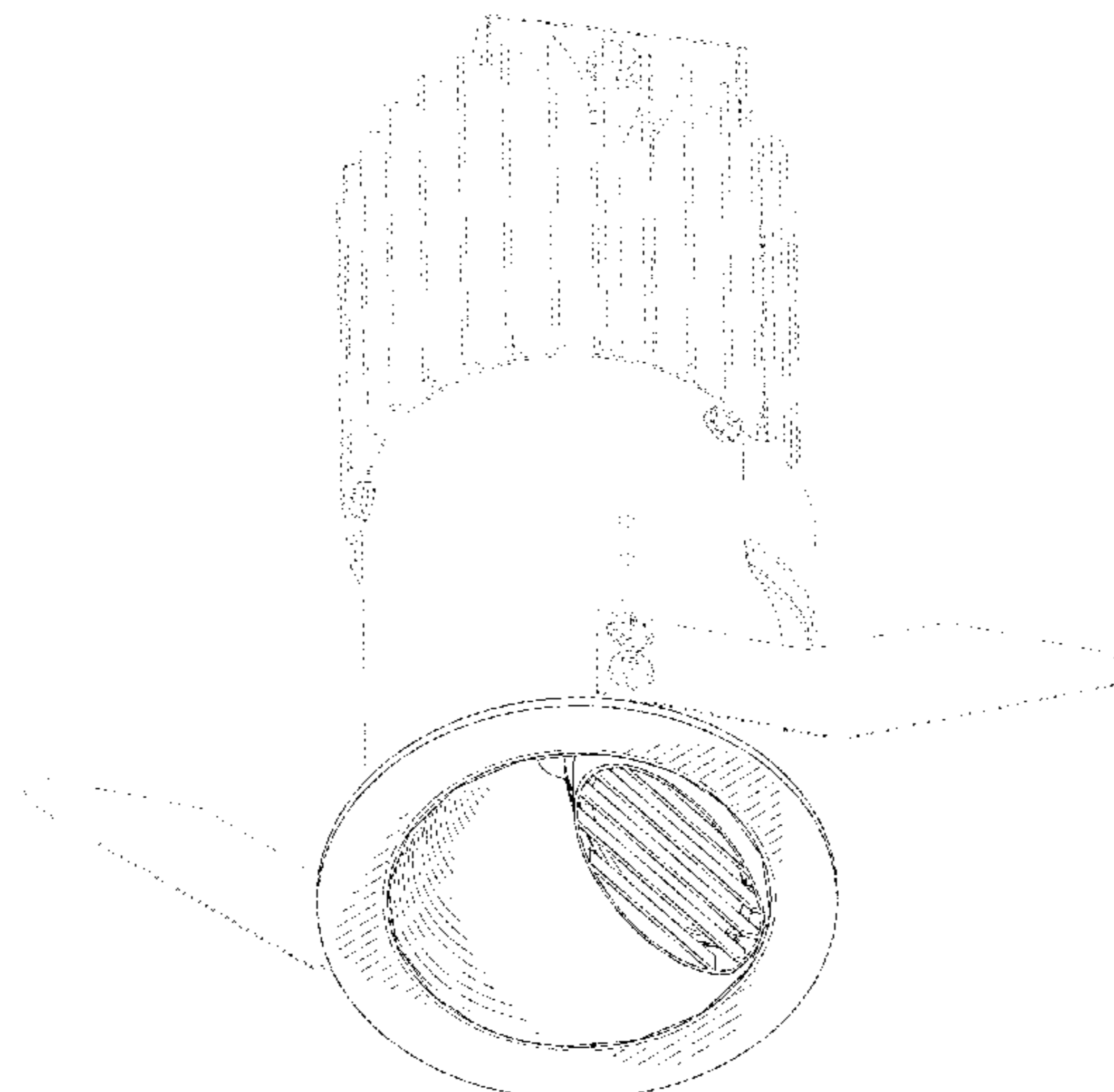
(57) **CLAIM**

We claim the ornamental design for a luminaire, as shown and described.

DESCRIPTION

FIG. 1 is a first perspective view of a luminaire according to a new design.
FIG. 2 is a second perspective view of the luminaire of FIG. 1.
FIG. 3 is a third perspective view of the luminaire of FIG. 1.
FIG. 4 is a first side elevation view of the luminaire of FIG. 1.
FIG. 5 is a second side elevation view of the luminaire of FIG. 1.
FIG. 6 is a third side elevation view of the luminaire of FIG. 1.
FIG. 7 is a fourth side elevation view of the luminaire of FIG. 1.
FIG. 8 is a top plan view of the luminaire of FIG. 1; and, FIG. 9 is a bottom plan view of the luminaire of FIG. 1.
The elements shown in broken lines are included for the purpose of illustrating portions of the luminaire that form no part of the claimed design.

1 Claim, 9 Drawing Sheets



(56)

References Cited

U.S. PATENT DOCUMENTS

8,215,805 B2 7/2012 Cogliano et al.
 8,226,278 B2 7/2012 Ward et al.
 D667,155 S 9/2012 Rashidi
 8,262,255 B1 9/2012 Rashidi
 D669,620 S 10/2012 Rashidi
 D681,859 S 5/2013 Beregszaszi
 D690,864 S 10/2013 Rashidi
 D691,315 S 10/2013 Samson
 D692,172 S 10/2013 Rashidi
 D694,942 S * 12/2013 Lindsley D26/88
 D696,448 S 12/2013 Huh
 D697,651 S 1/2014 Carpenter
 D698,067 S 1/2014 Rashidi
 D710,047 S 7/2014 Hildebrandt
 8,770,779 B2 7/2014 Steadman et al.
 D726,360 S 4/2015 Messiaen
 D726,949 S 4/2015 Redfern
 9,243,786 B1 1/2016 Onda
 D768,326 S 10/2016 Guzzini
 D777,967 S 1/2017 Redfern
 D778,483 S 2/2017 Guzzini
 D786,472 S 5/2017 Redfern
 D790,102 S 6/2017 Guzzini
 D809,176 S 1/2018 Partington
 D810,345 S 2/2018 Redfern
 D827,903 S 9/2018 Wu
 D831,256 S 10/2018 Partington

D834,234 S * 11/2018 Sayers D26/74
 D841,217 S 2/2019 Rybol
 D845,539 S 4/2019 Deng
 D867,645 S 11/2019 Ye
 D877,956 S * 3/2020 Wilcox D26/74
 D904,664 S * 12/2020 Wilcox D26/74
 D912,295 S * 3/2021 Sayers D26/74
 2009/0296414 A1 12/2009 Moriyama
 2010/0002453 A1 1/2010 Wu
 2012/0287616 A1 11/2012 Wilcox
 2013/0322084 A1 12/2013 Ebisawa
 2014/0003039 A1 1/2014 Steadman
 2019/0154238 A1 5/2019 Wilcox

OTHER PUBLICATIONS

Acuity Brands Lighting, Inc., Gotham Incito 2" Adjustable/Lensed Adjustable Brochure, 2015 (2 pages).
 Lucifer Lighting Company, DL8ZP (LEDX) Recessed LED Downlight Brochure, Jan. 7, 2014 (4 pages).
 ConTech Lighting, R2ARM 2" LED Adjustable Recessed Downlight Specifications/Features, available on or before Sep. 27, 2017 (4 pages).
 ConTech Lighting, 2" Adjustable Downlight Series: R2A Installation instructions, available on or before Sep. 27, 2017 (2 pages).
 U.S. Appl. No. 29/619,353, filed Sep. 28, 2017, now U.S. Pat. No. D. 877,956.

* cited by examiner

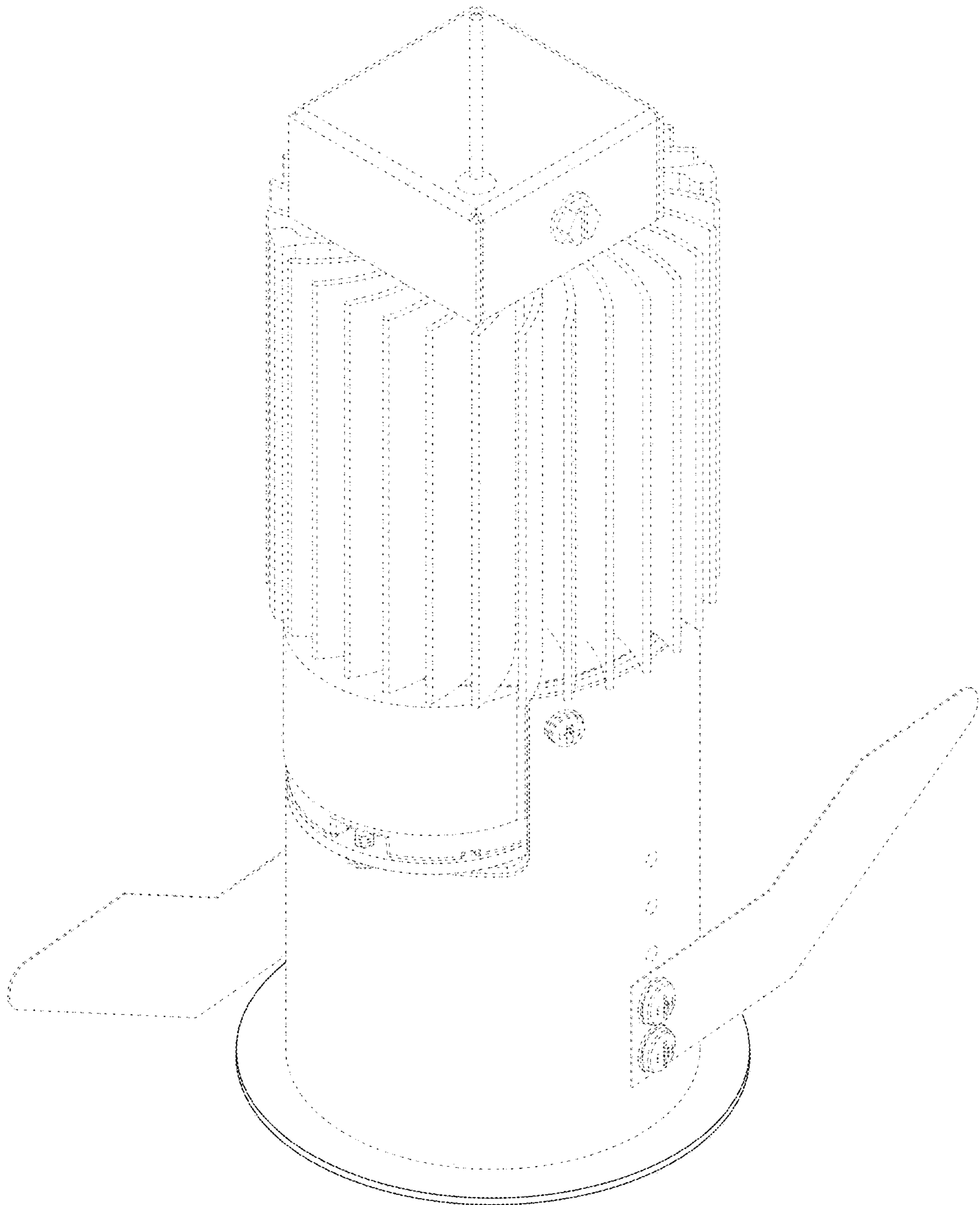


FIG. 1

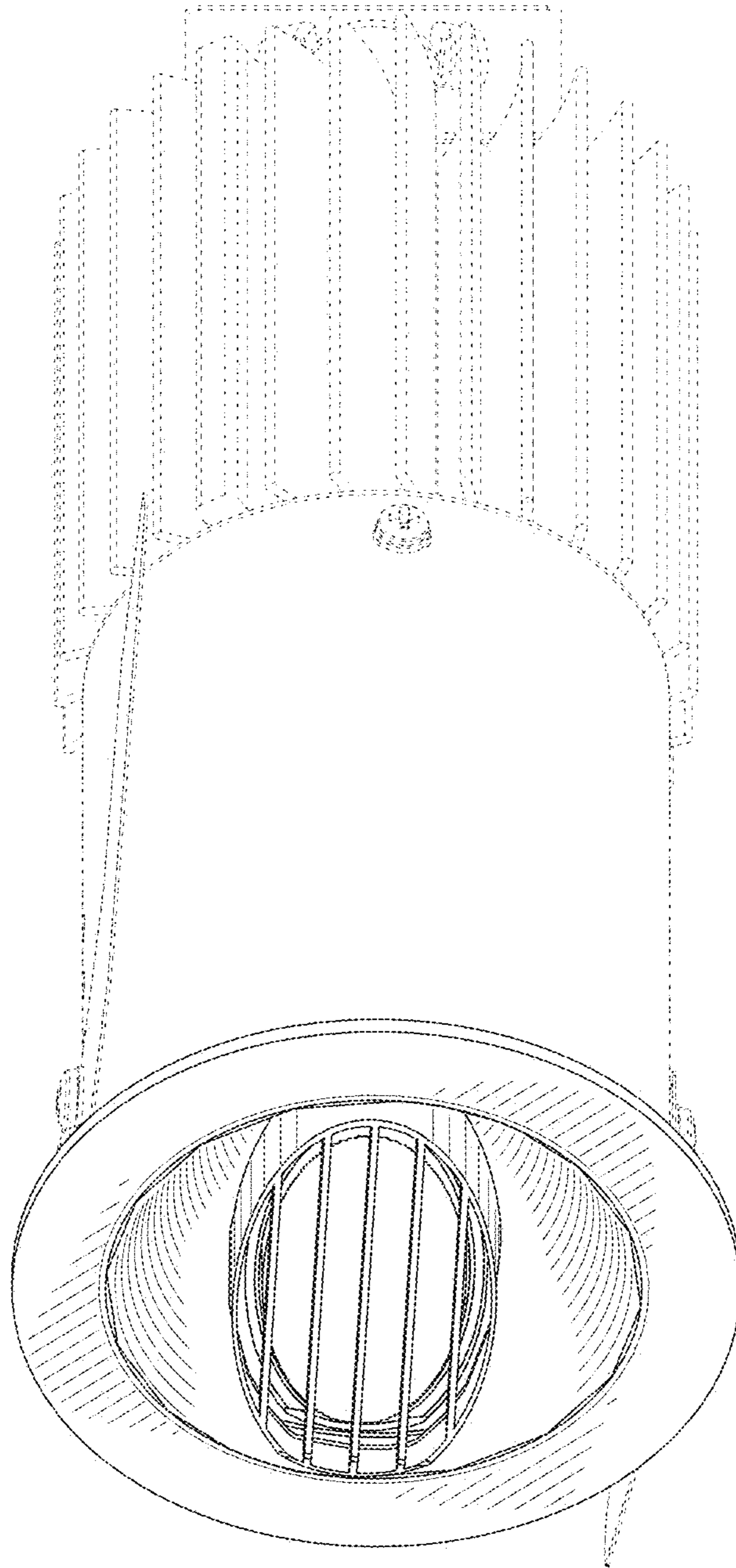


FIG. 2

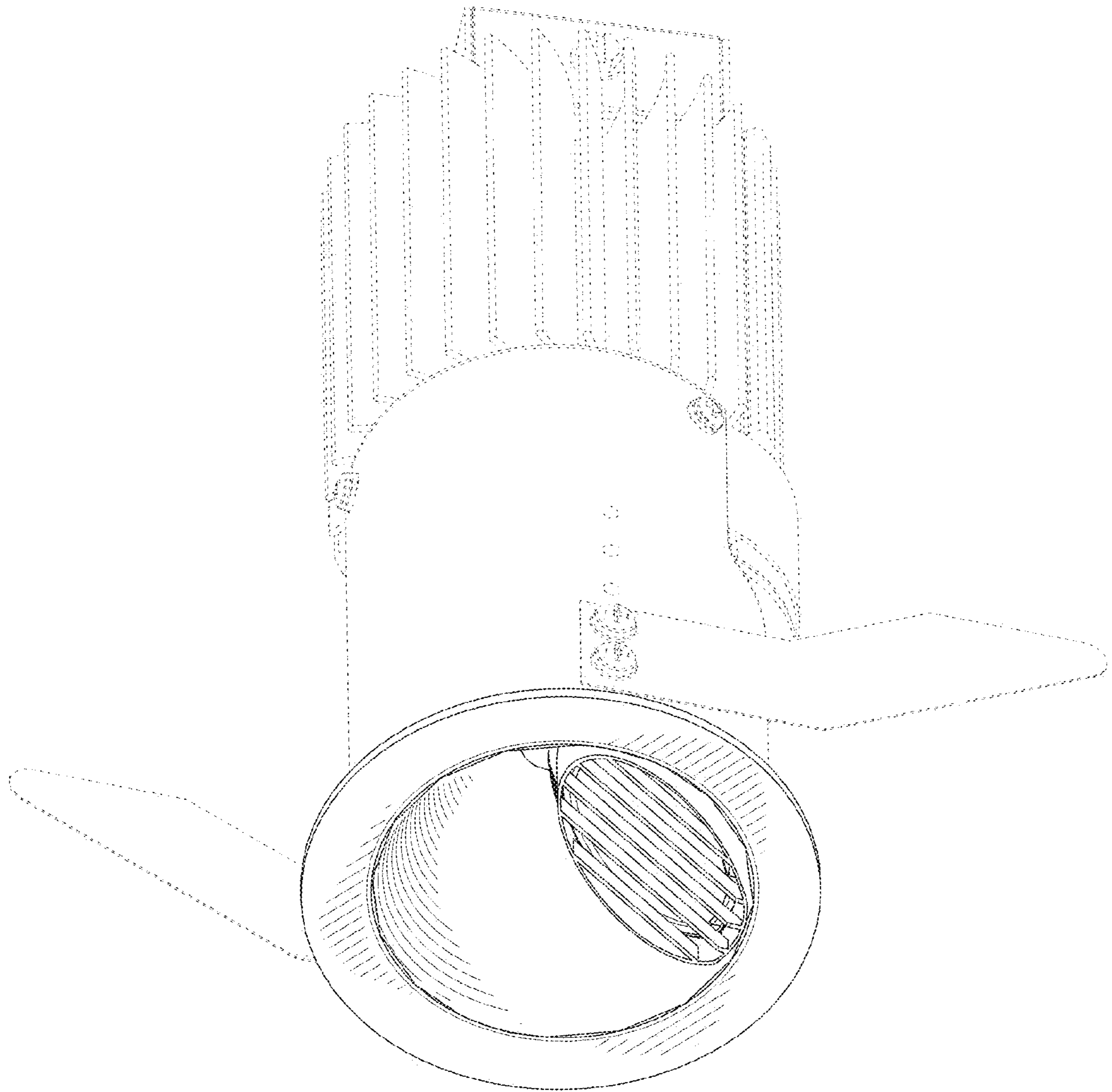


FIG. 3

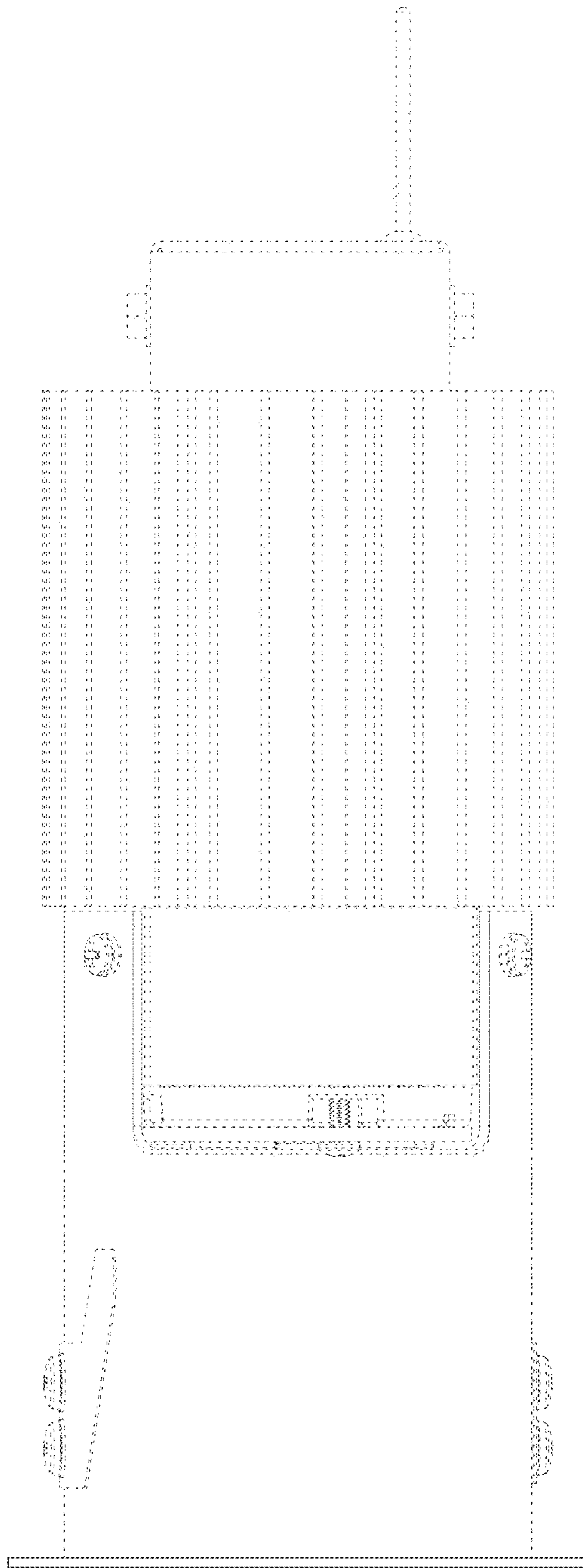


FIG. 4

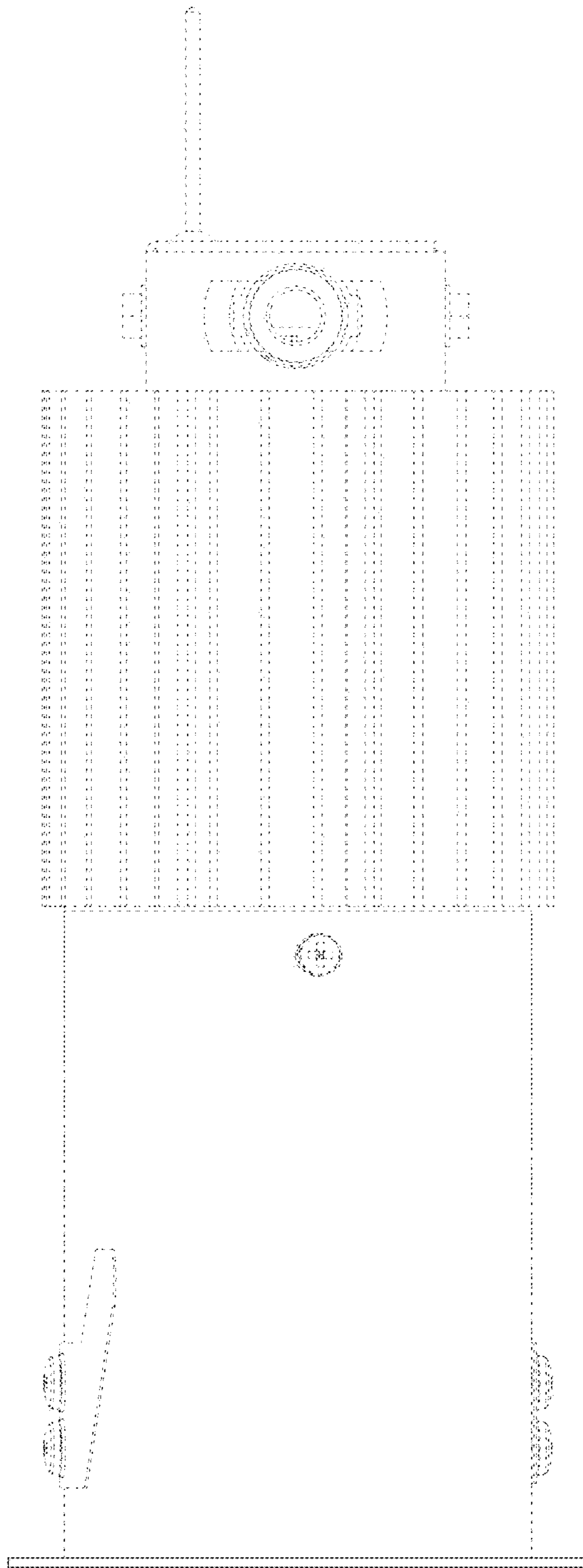


FIG. 5

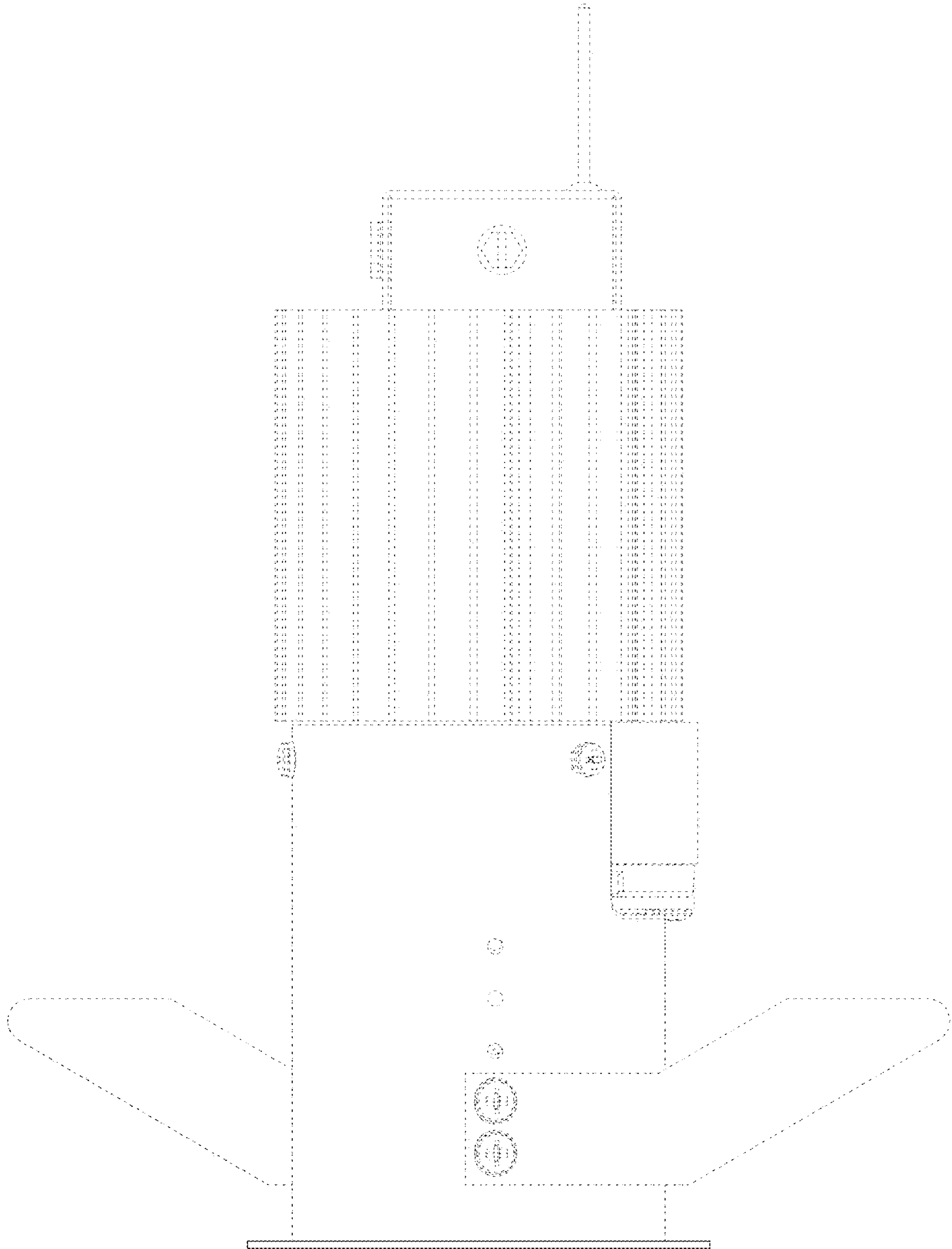


FIG. 6

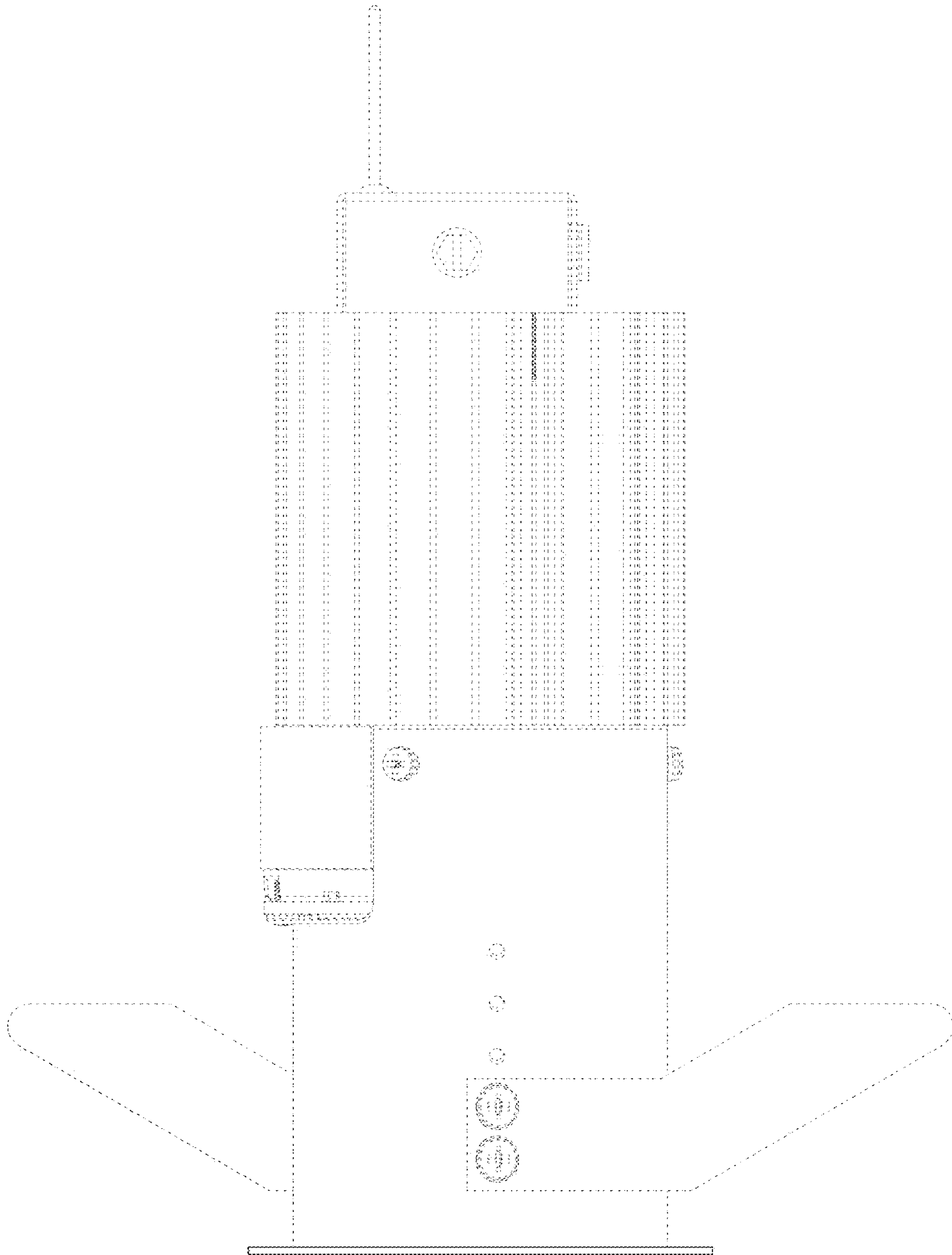


FIG. 7

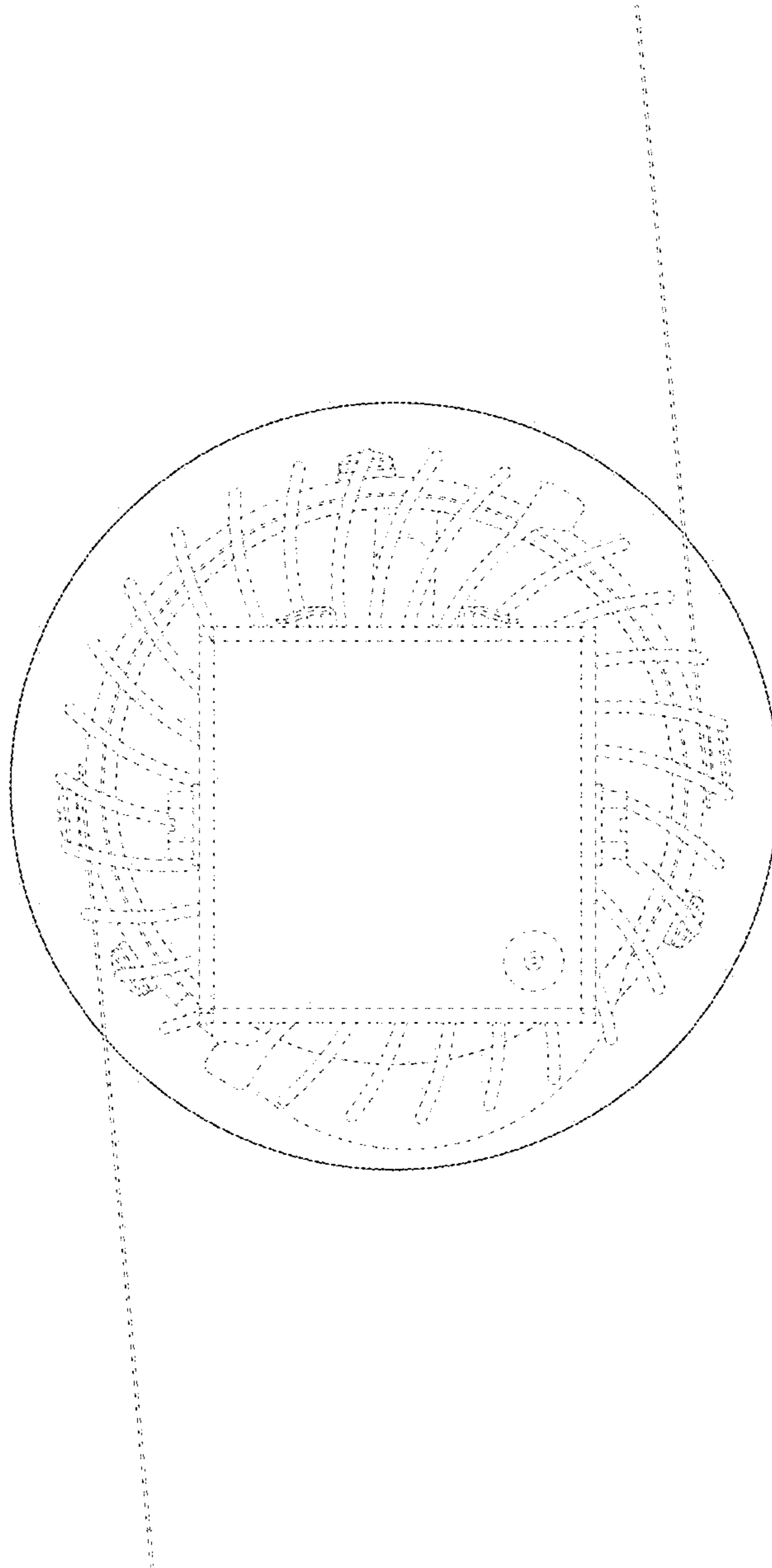


FIG. 8

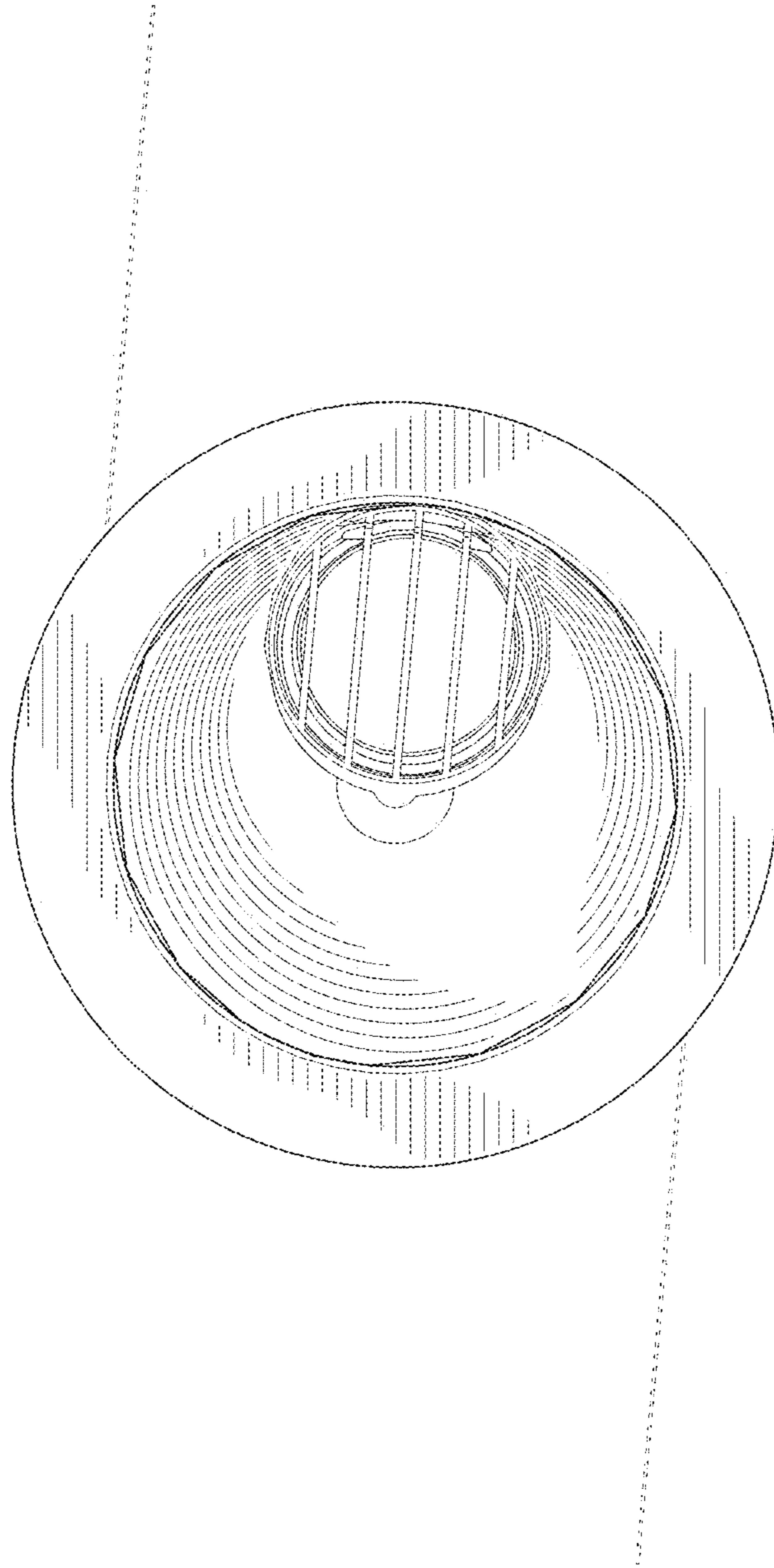


FIG. 9