



US00D954330S

(12) **United States Design Patent**
Chub et al.

(10) **Patent No.:** **US D954,330 S**
(45) **Date of Patent:** **** Jun. 7, 2022**

(54) **LIGHT FIXTURE**

(71) Applicant: **Glint Photonics, Inc.**, Burlingame, CA (US)

(72) Inventors: **Victor Chub**, Hayward, CA (US);
Christopher Gladden, San Mateo, CA (US); **Andrew Kim**, San Jose, CA (US); **Peter Kozodoy**, Palo Alto, CA (US)

(73) Assignee: **Glint Photonics, Inc.**, Burlingame, CA (US)

(**) Term: **15 Years**

(21) Appl. No.: **29/690,029**

(22) Filed: **May 3, 2019**

(51) **LOC (13) Cl.** **26-05**

(52) **U.S. Cl.**
USPC **D26/74**

(58) **Field of Classification Search**
USPC D26/74, 72, 75, 76, 77, 78, 85, 88, 89,
D26/118, 138, 141, 67, 70; 362/364,
362/365, 373, 145, 146, 147, 148, 150,
362/153, 153.1, 294, 296.01, 296.07,
362/296.08

CPC F21V 29/2262; F21V 7/06; F21V 21/044;
F21V 21/047; F21V 29/2212; F21V
29/2225; F21V 29/2256; F21V 29/225;
F21V 29/2268; F21Y 2111/002; F21S
8/02; F21S 8/026

See application file for complete search history.

(56) **References Cited**

U.S. PATENT DOCUMENTS

D591,893 S * 5/2009 Waldmann D26/74
D615,236 S * 5/2010 Beghelli D26/74
D699,880 S * 2/2014 Szoke D26/74

(Continued)

Primary Examiner — Angela J Lee

(74) *Attorney, Agent, or Firm* — David J. Thibodeau, Jr.;
VLP Law Group LLP

(57) **CLAIM**

The ornamental design for a light fixture, as shown and described.

DESCRIPTION

FIG. 1 is a perspective view of a light fixture embodying the design.

FIG. 2 is a view of the front face of the design of FIG. 1.

FIG. 3 is a bottom view of the design of FIG. 1.

FIG. 4 is a back side view of the design of FIG. 1.

FIG. 5 is a top view of the design of FIG. 1.

FIG. 6 is a right side view of the design of FIG. 1.

FIG. 7 is a left side view of the design of FIG. 1.

FIG. 8 is a perspective view of a light fixture embodying the design.

FIG. 9 is a view of the front face of the design of FIG. 9.

FIG. 10 is a perspective view of a light fixture embodying the design.

FIG. 11 is a view of the front face of the design of FIG. 10.

FIG. 12 is a perspective view of a light fixture embodying the design.

FIG. 13 is a view of the front face of the design of FIG. 12.

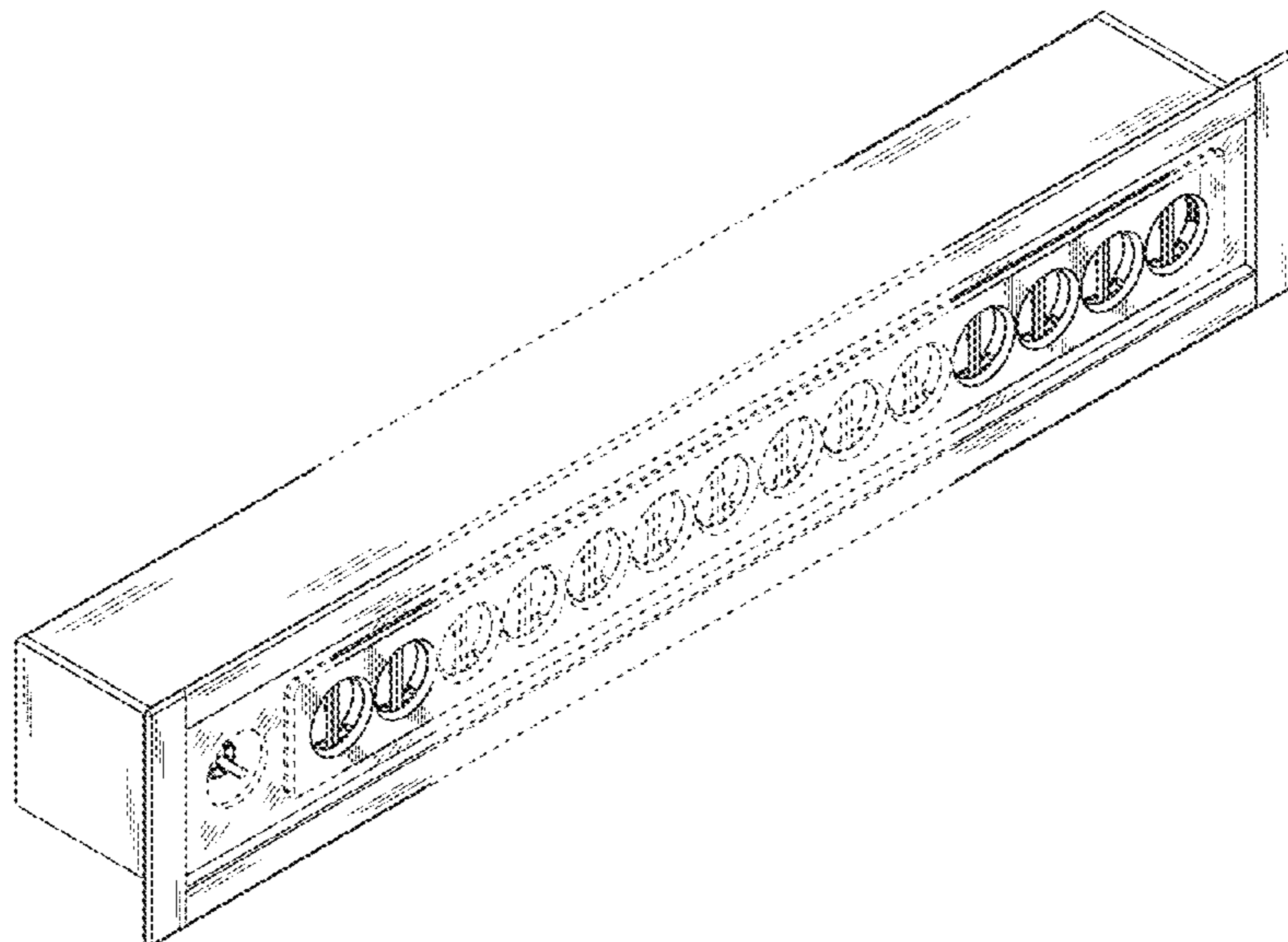
FIG. 14 is a perspective view of a light fixture embodying the design; and,

FIG. 15 is a view of the front face of the design of FIG. 14.

The light fixture consists of a rectangular housing that has a joystick and a number of apertures located along a front face thereof. The embodiments of FIG. 8, FIG. 10, FIG. 12, and FIG. 14 have the same housing shape as FIG. 1 and thus the bottom, top, back, right and left side views of those designs are the same as for the FIG. 1 design.

The portions shown in dashed lines in the figures form no part of the claimed design(s).

1 Claim, 6 Drawing Sheets



(56)

References Cited

U.S. PATENT DOCUMENTS

D768,327 S *	10/2016	Guzzini	D26/74
D788,968 S *	6/2017	Salomon	D26/74
D790,746 S *	6/2017	Ferrier	D26/74
D795,486 S *	8/2017	Goltche	D26/74
D841,216 S *	2/2019	Gaynor	D26/74
D854,216 S *	7/2019	Coirier	D26/74
D855,236 S *	7/2019	Goetz-Schaefer	D26/74
D869,727 S *	12/2019	Gruendl	D26/74
D869,728 S *	12/2019	Gruendl	D26/74
D869,729 S *	12/2019	Gruendl	D26/74

* cited by examiner

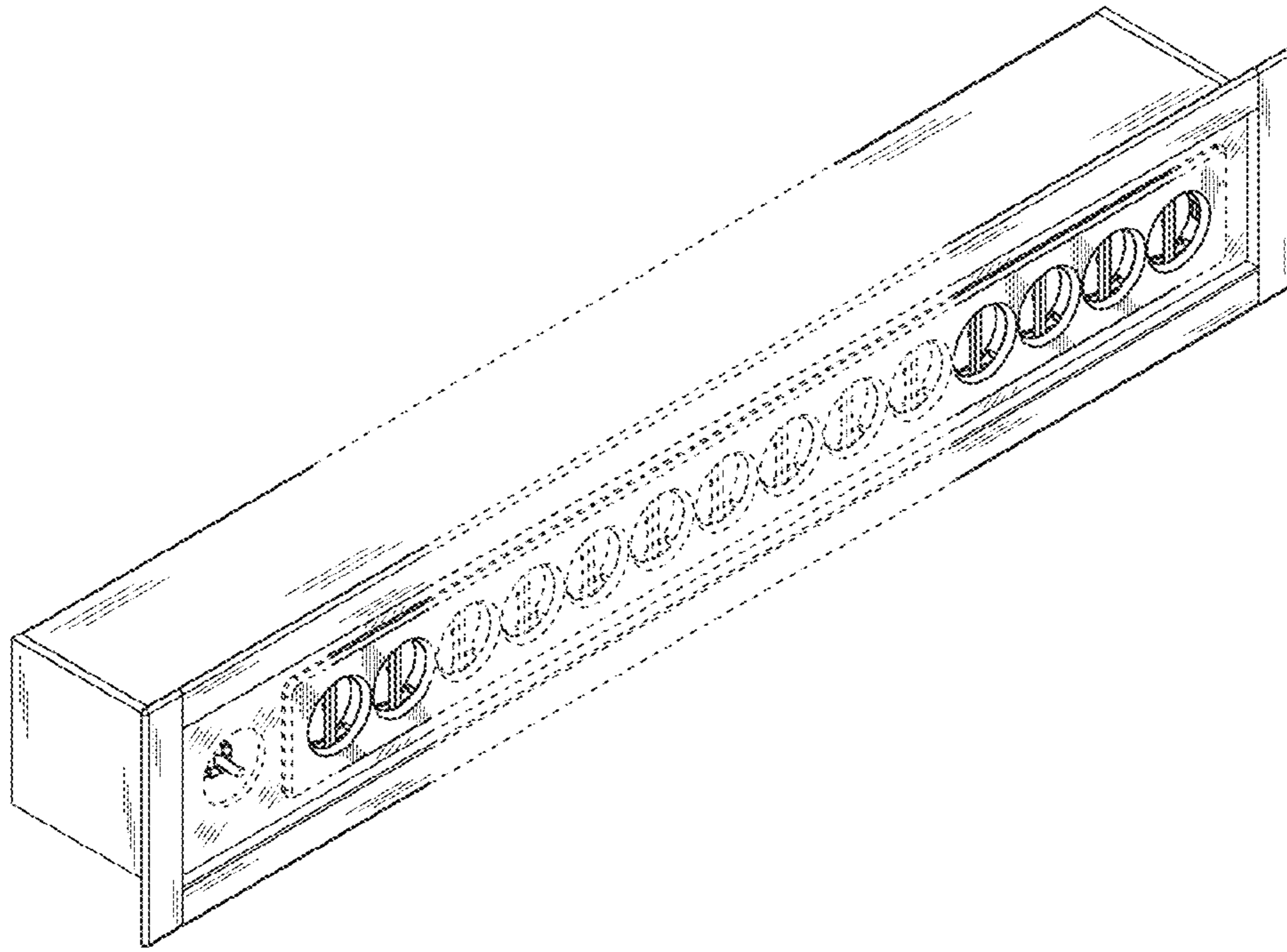


Fig. 1

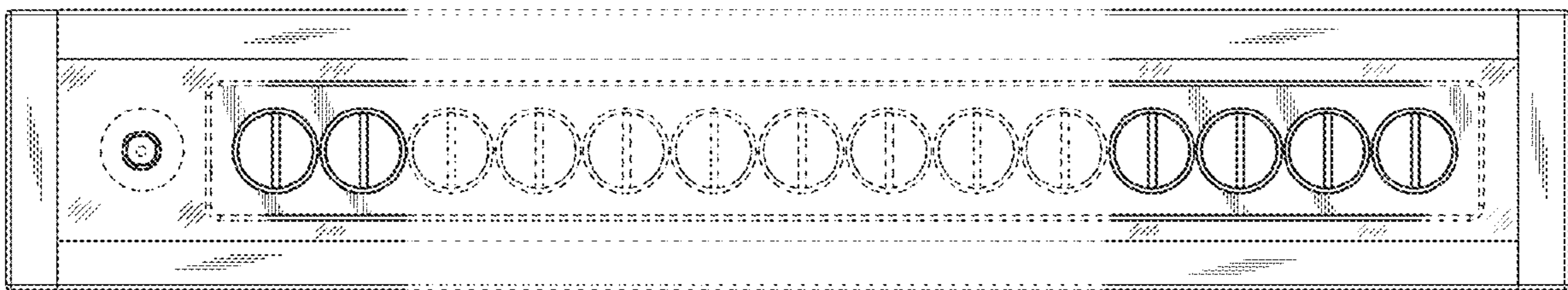


Fig. 2



Fig. 3

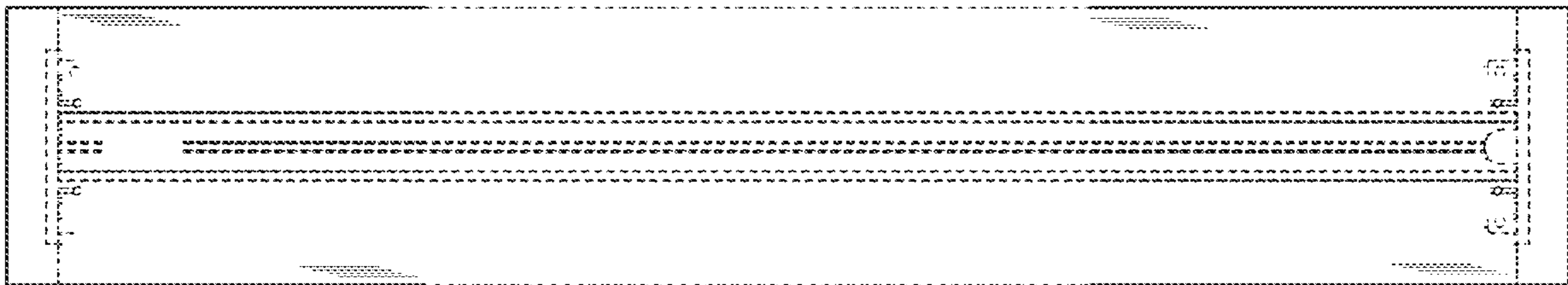


Fig. 4

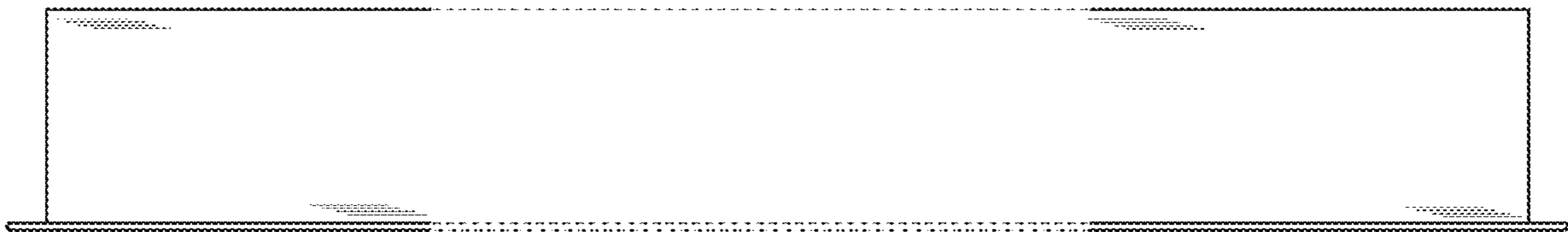


Fig. 5

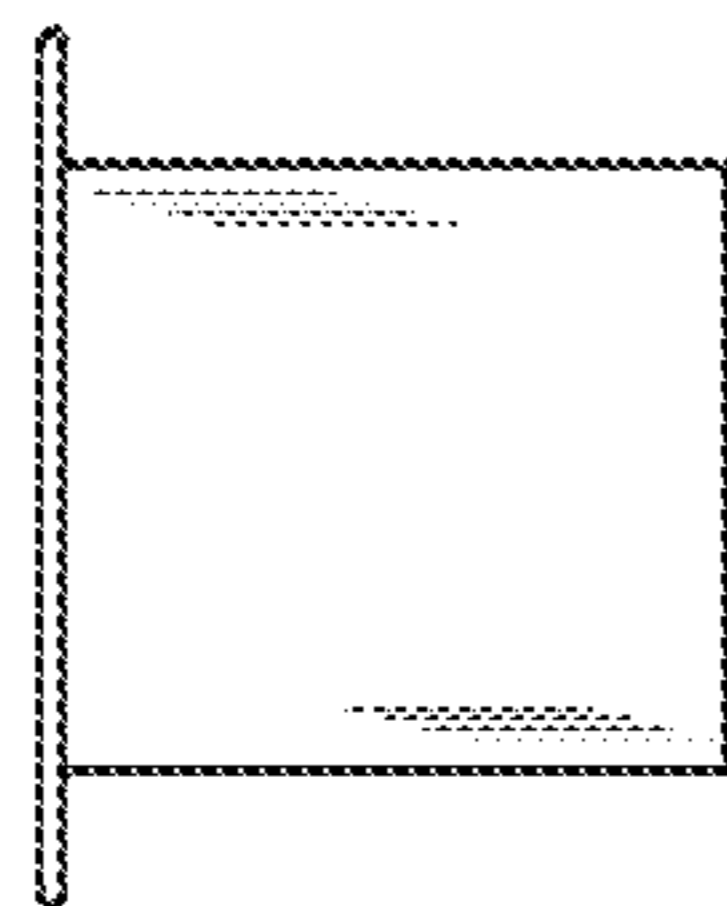


Fig. 6

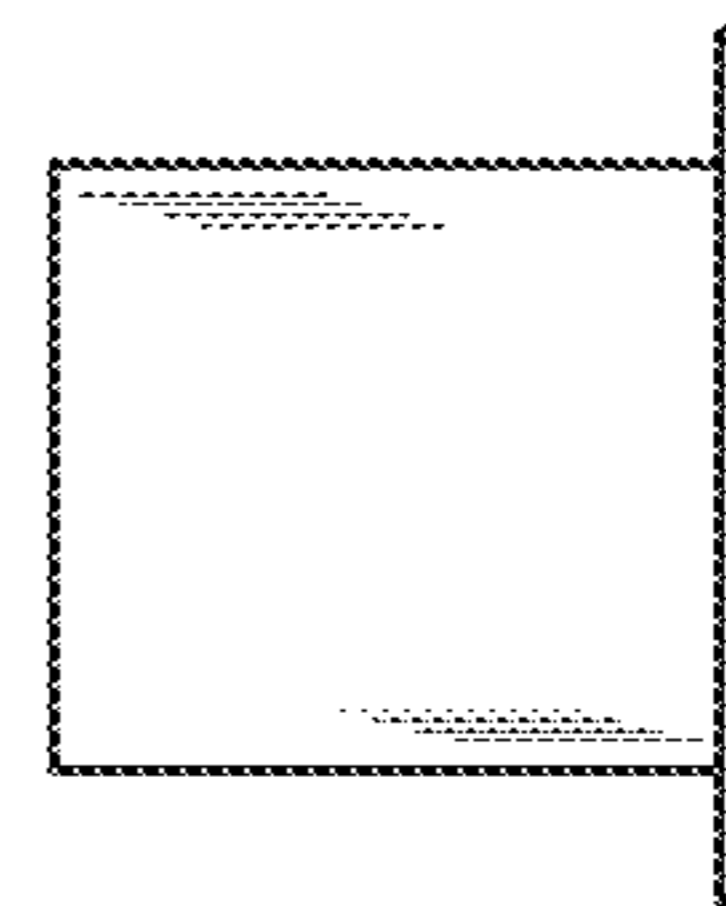


Fig. 7

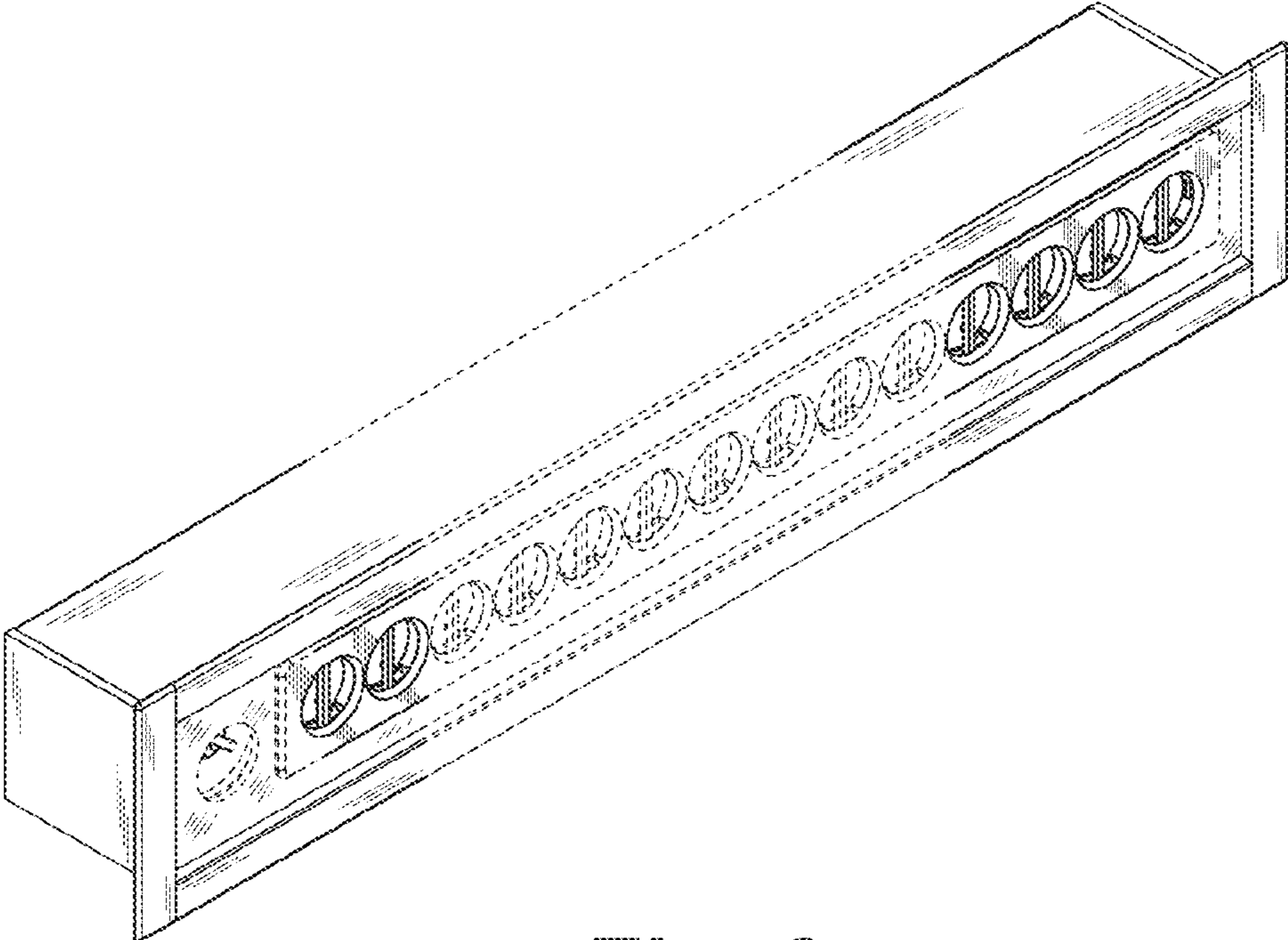


Fig. 8

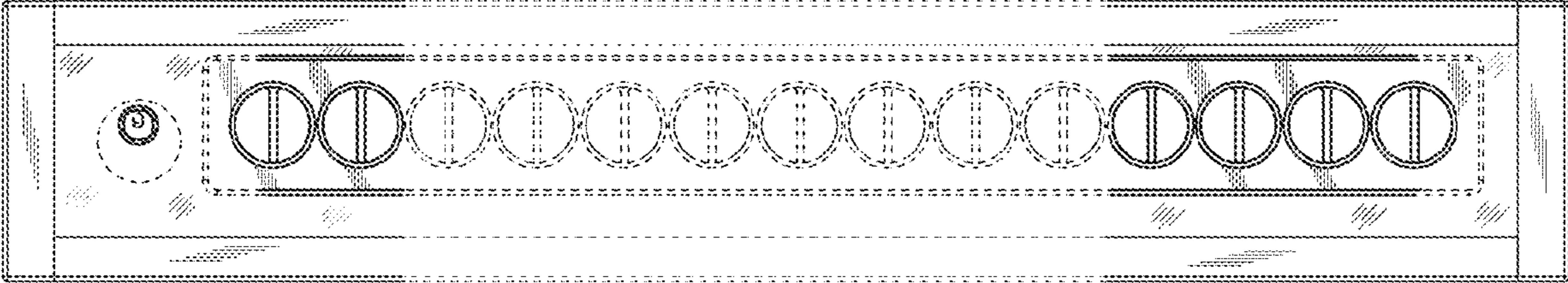


Fig. 9

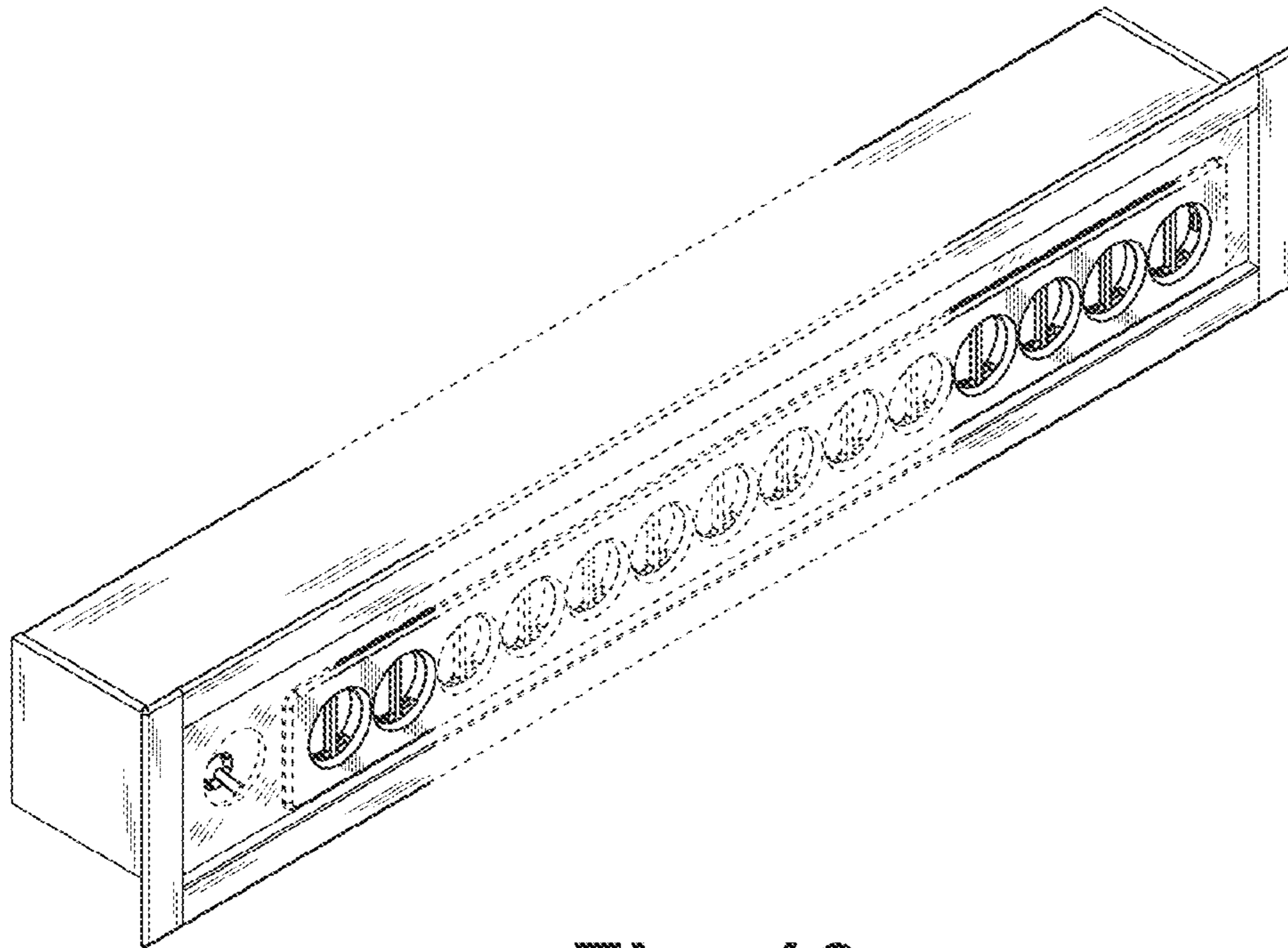


Fig. 10

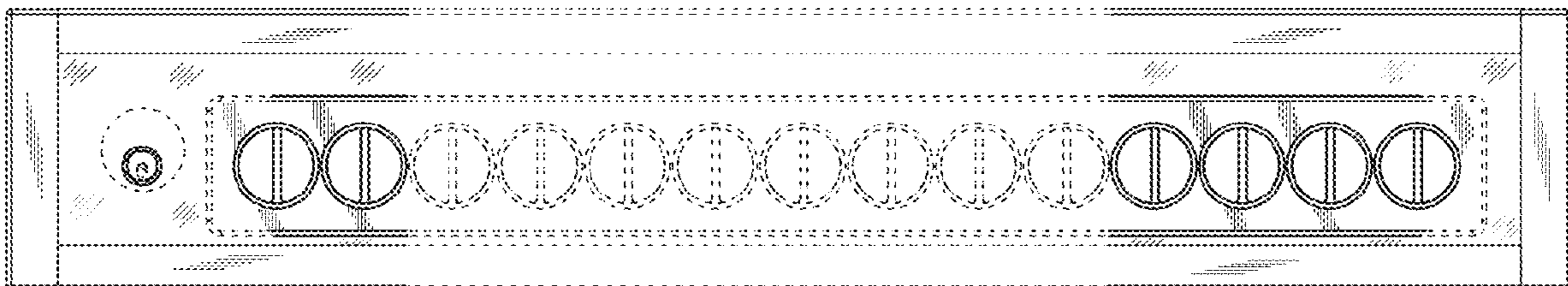


Fig. 11

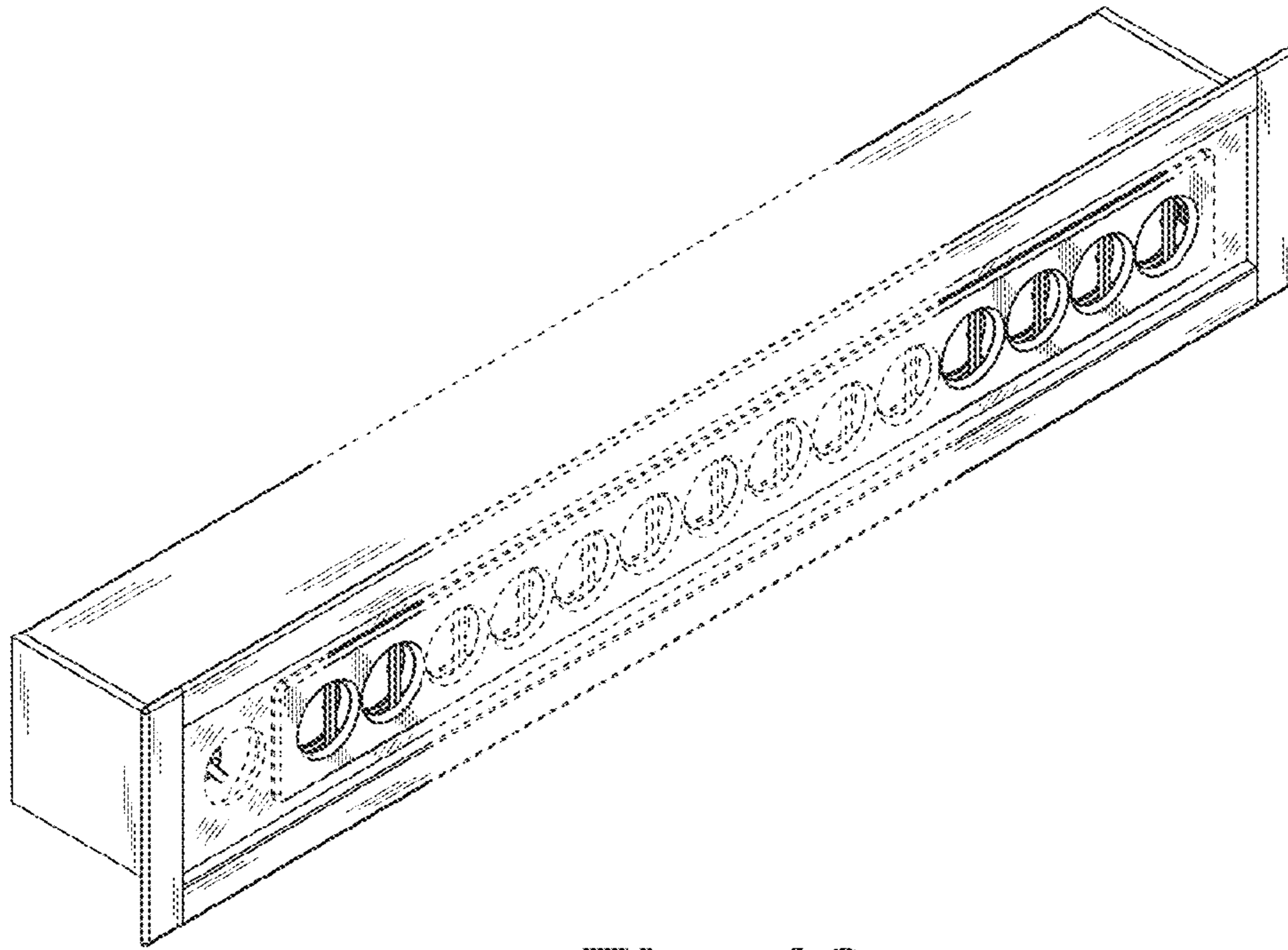


Fig. 12

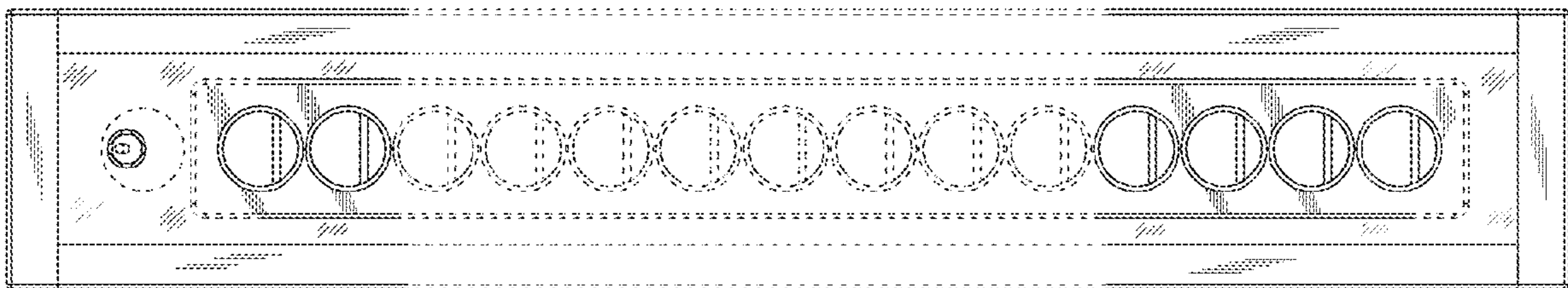


Fig. 13

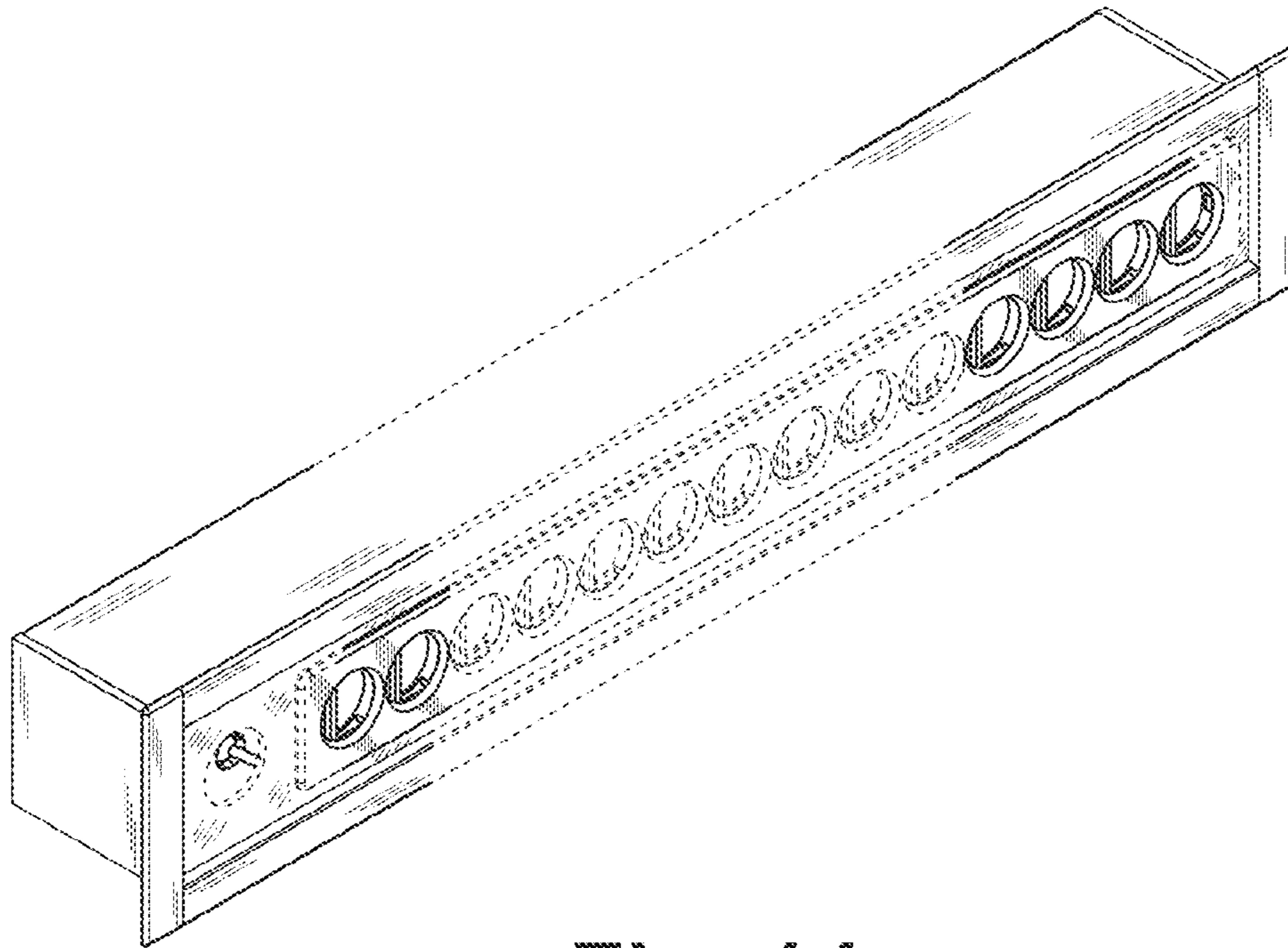


Fig. 14

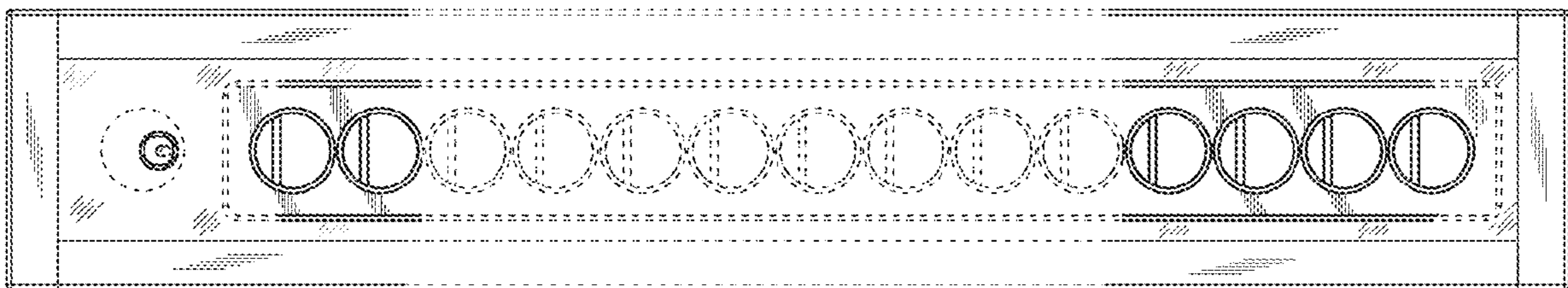


Fig. 15