



US00D954327S

(12) **United States Design Patent** (10) **Patent No.:** **US D954,327 S**
Liu (45) **Date of Patent:** **** Jun. 7, 2022**

(54) **SOLAR PATH LIGHT**

D923,229 S 6/2021 Liao
D943,797 S * 2/2022 Xiao D26/67
2008/0232094 A1* 9/2008 Ramsdell F21S 8/088
362/183

(71) Applicant: **Sijie Liu**, Shenzhen (CN)

(72) Inventor: **Sijie Liu**, Shenzhen (CN)

(**) Term: **15 Years**

(21) Appl. No.: **29/797,075**

(22) Filed: **Jun. 29, 2021**

(51) **LOC (13) Cl.** **26-05**

(52) **U.S. Cl.**
USPC **D26/67**

(58) **Field of Classification Search**
USPC D26/67-70, 72, 85
CPC F21S 8/03; F21S 8/033; F21S 8/036; F21S
8/081; F21S 9/037; F21W 2111/02;
F21W 2111/023; F21W 2131/109
See application file for complete search history.

(56) **References Cited**

U.S. PATENT DOCUMENTS

| | | | | | |
|------------|---|---------|--------------|-------|--------|
| D553,285 S | * | 10/2007 | Curtin | | D26/67 |
| D563,015 S | * | 2/2008 | Lee | | D26/67 |
| D629,551 S | * | 12/2010 | Jing | | D26/68 |
| D666,758 S | * | 9/2012 | Ho | | D26/67 |
| D698,966 S | * | 2/2014 | Sooferian | | D26/68 |
| D822,866 S | * | 7/2018 | Chen | | D26/67 |
| D904,663 S | | 12/2020 | Wang | | |
| D905,313 S | | 12/2020 | Liao | | |
| D908,942 S | | 1/2021 | Pan | | |
| D908,943 S | | 1/2021 | Huang | | |
| D911,573 S | | 2/2021 | Shi | | |
| D917,757 S | | 4/2021 | Loew | | |
| D921,262 S | | 6/2021 | Gawrychowski | | |
| D923,225 S | | 6/2021 | Hu | | |
| D923,226 S | | 6/2021 | Hu | | |

OTHER PUBLICATIONS

LeiDrail Solar Pathway Light, ASIN: B09RFG5Z3Y. Available from amazon.com Apr. 1, 2022. (Year: 2022).*
UDOOSOL Solar Light, ASIN: B09N9991ZQ. Available from amazon.com Dec. 8, 2021. (Year: 2021).*

* cited by examiner

Primary Examiner — Clare E Heflin
(74) *Attorney, Agent, or Firm* — Rumit Ranjit Kanakia

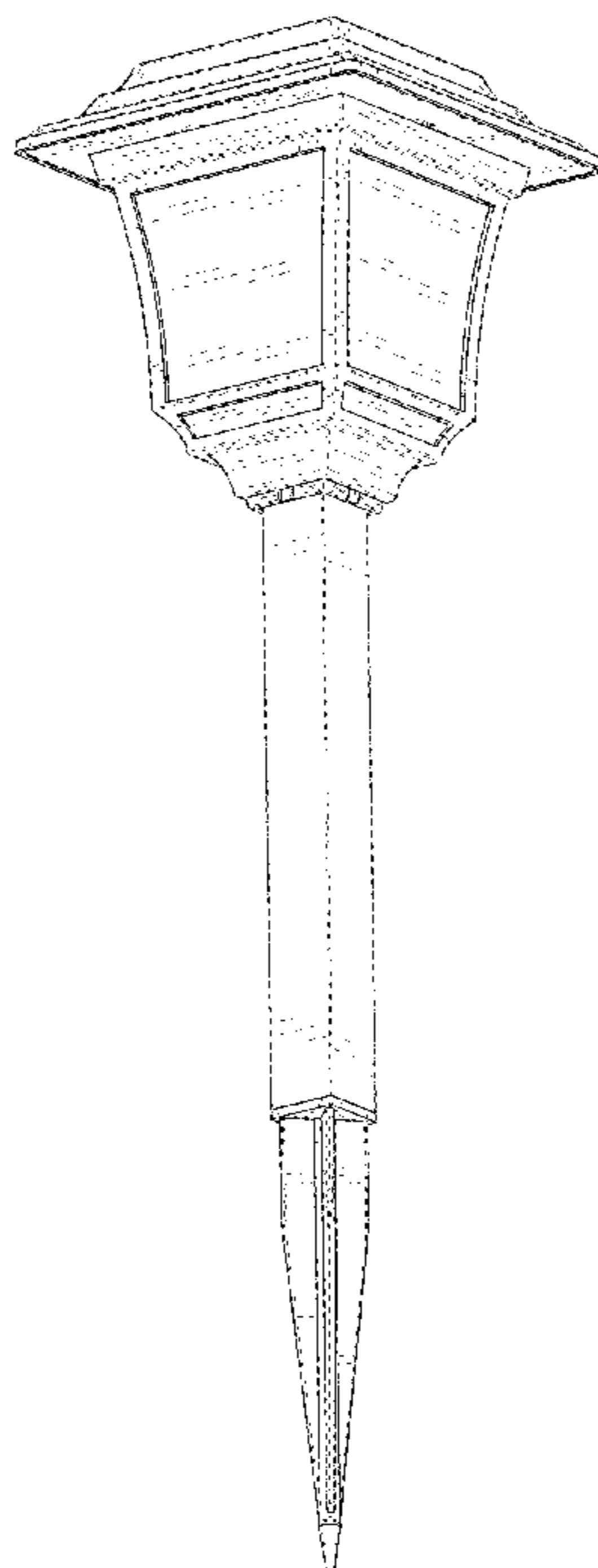
(57) **CLAIM**

The ornamental design for a solar path light, as shown and described.

DESCRIPTION

FIG. 1 is a front elevational view of a solar path light showing my new design;
FIG. 2 is a rear elevational view thereof; and
FIG. 3 is a left elevational view thereof;
FIG. 4 is a right side view thereof;
FIG. 5 is a top side view thereof;
FIG. 6 is a bottom plan view thereof;
FIG. 7 is a perspective view of a solar path light showing my new design; and,
FIG. 8 is another perspective view thereof.
The broken lines in the figures are for the purposes of illustrating portions of the solar path light, which form no part of the claimed design.

1 Claim, 8 Drawing Sheets



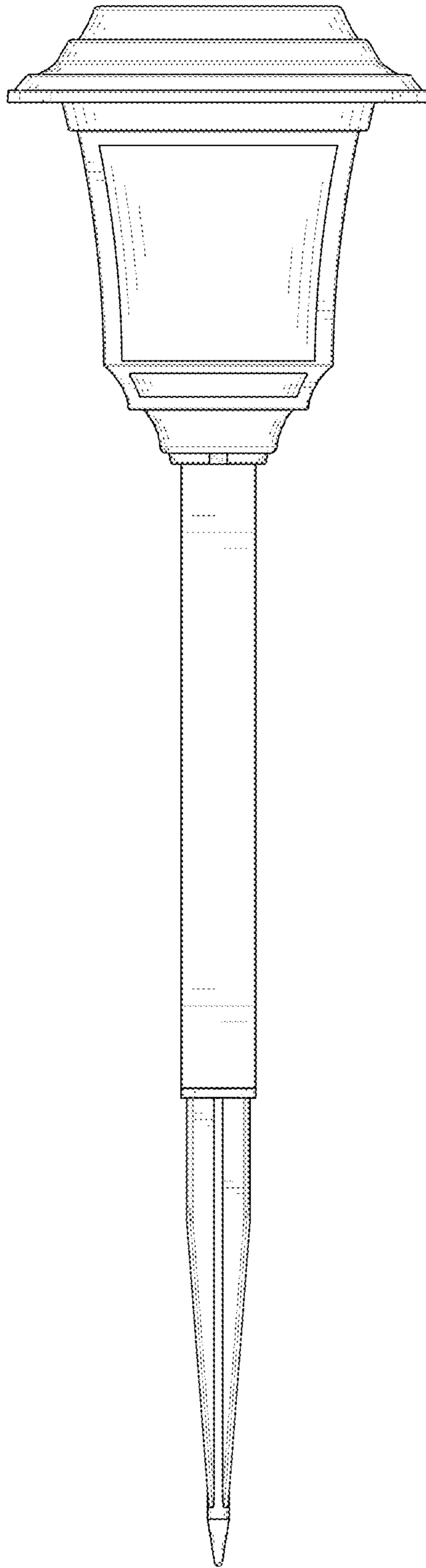


FIG. 1

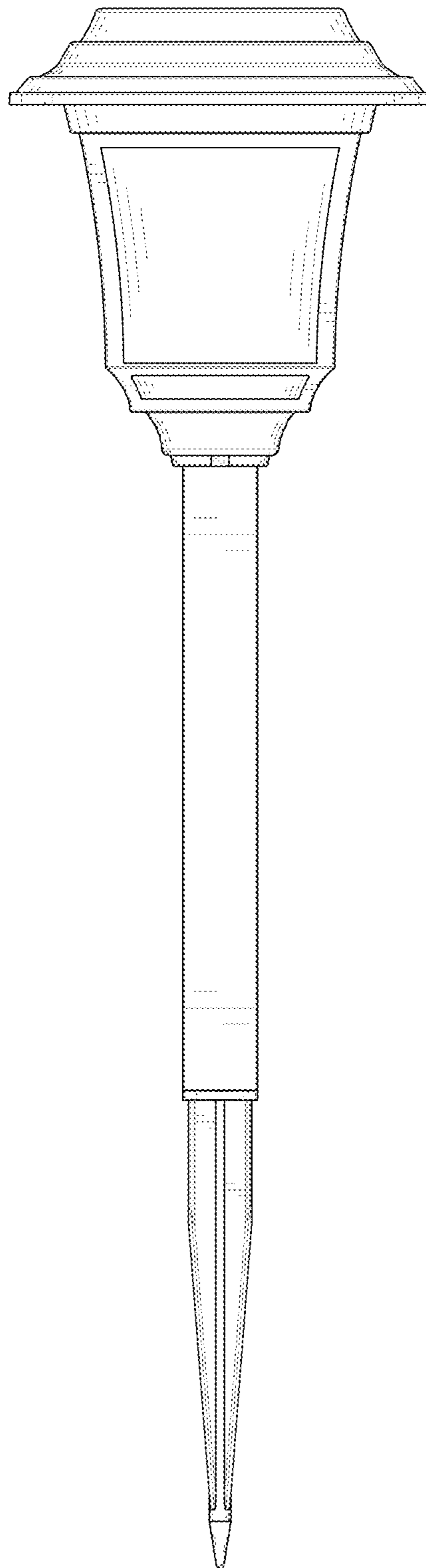


FIG. 2

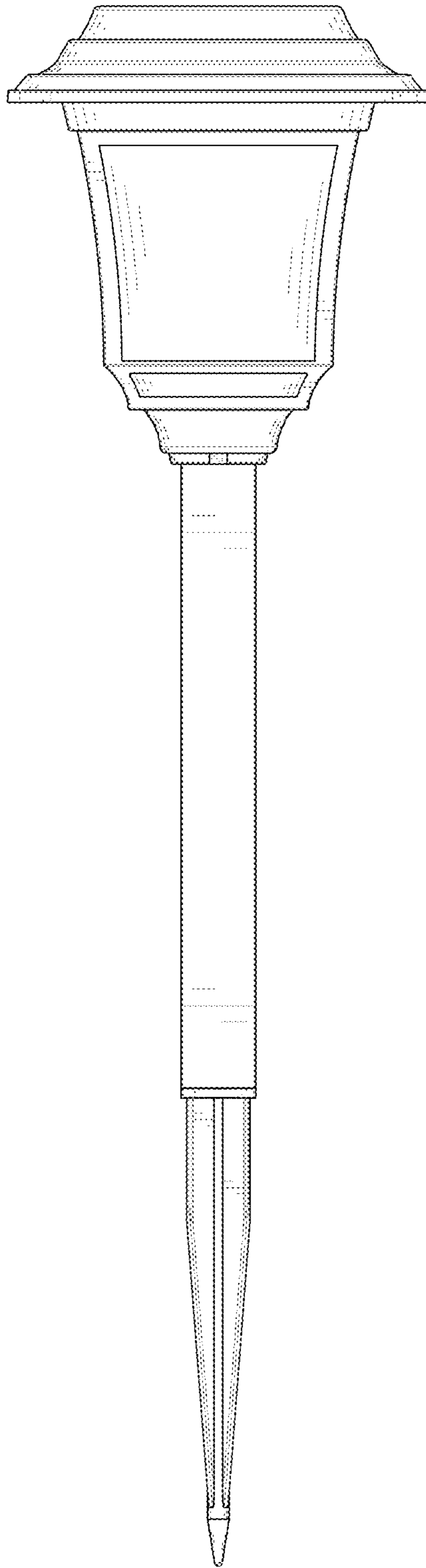


FIG. 3

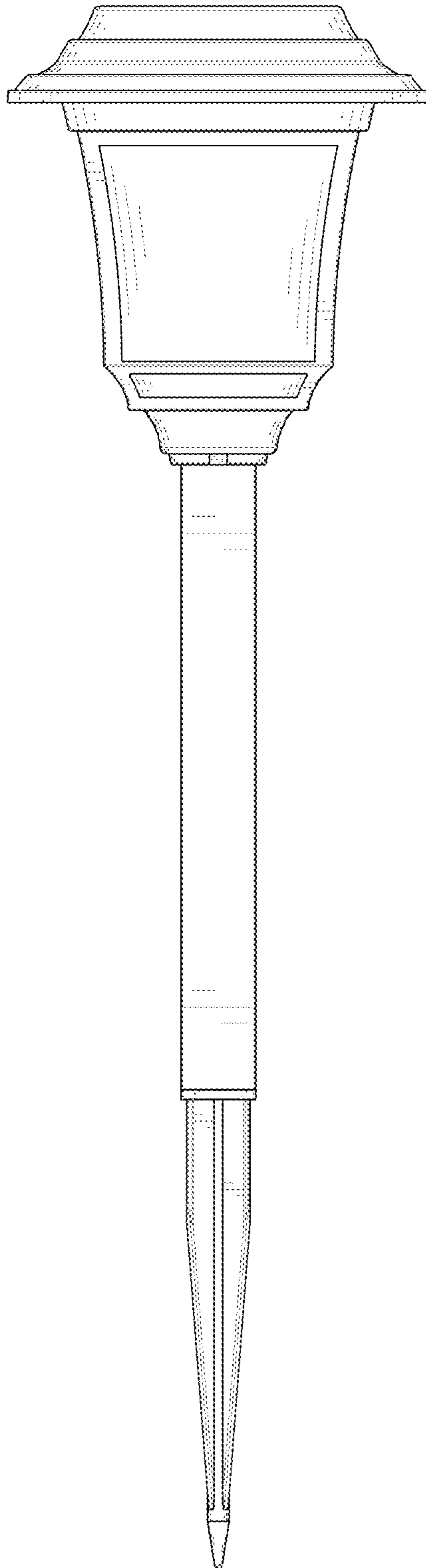


FIG. 4

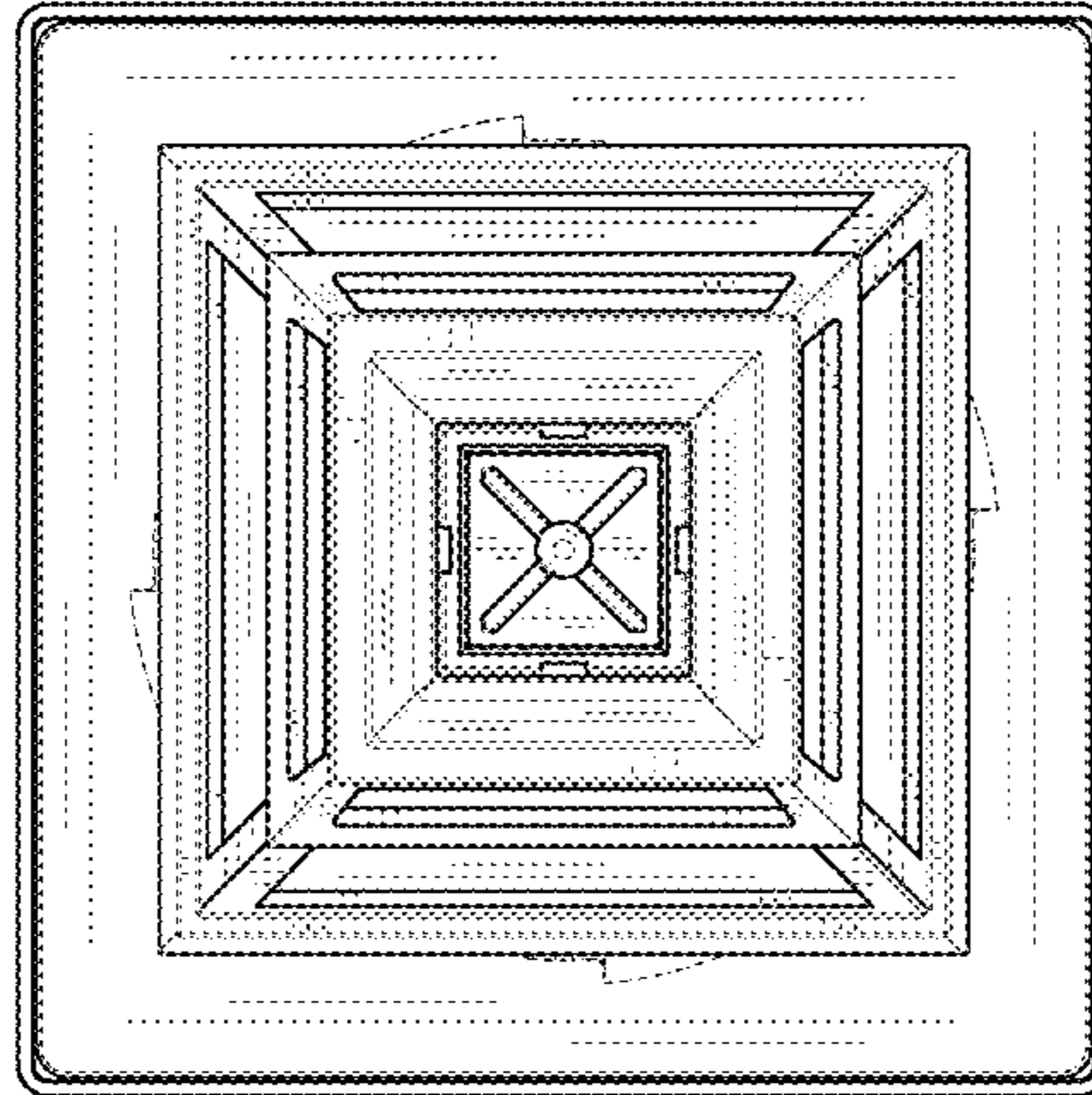


FIG. 6

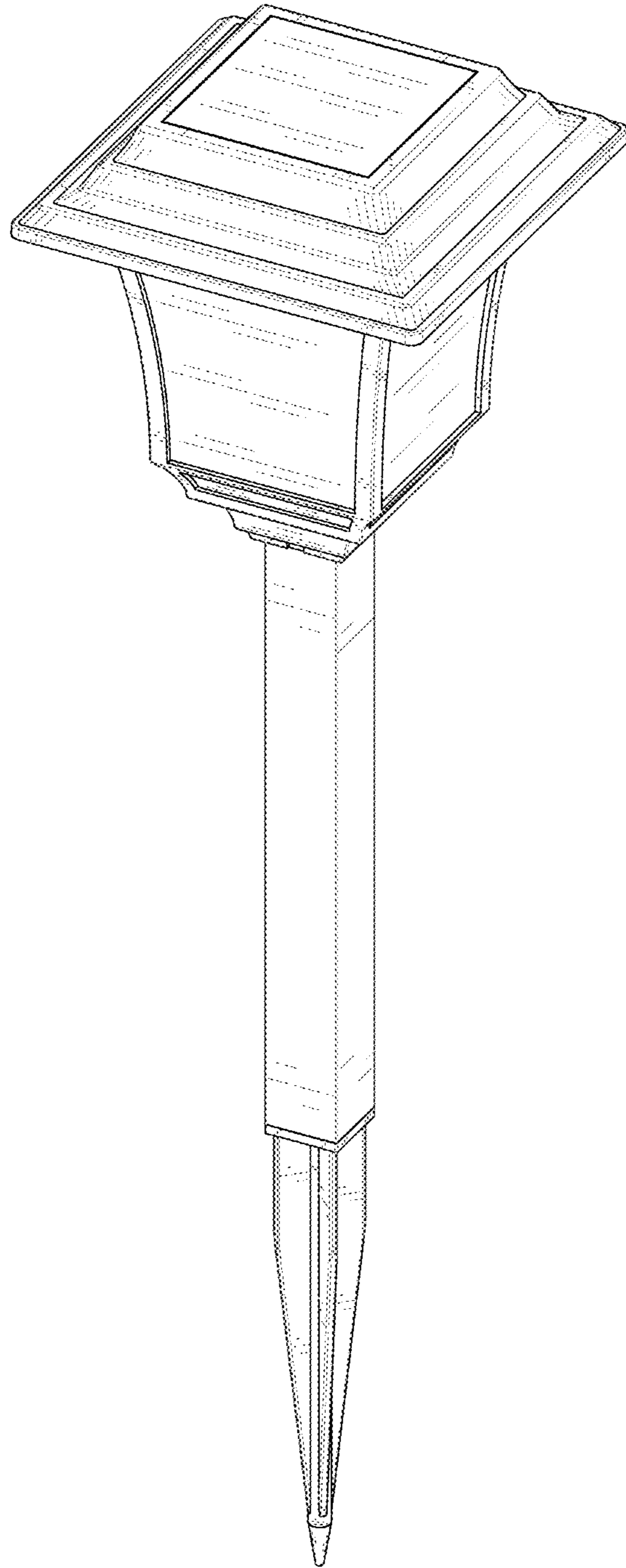


FIG. 7

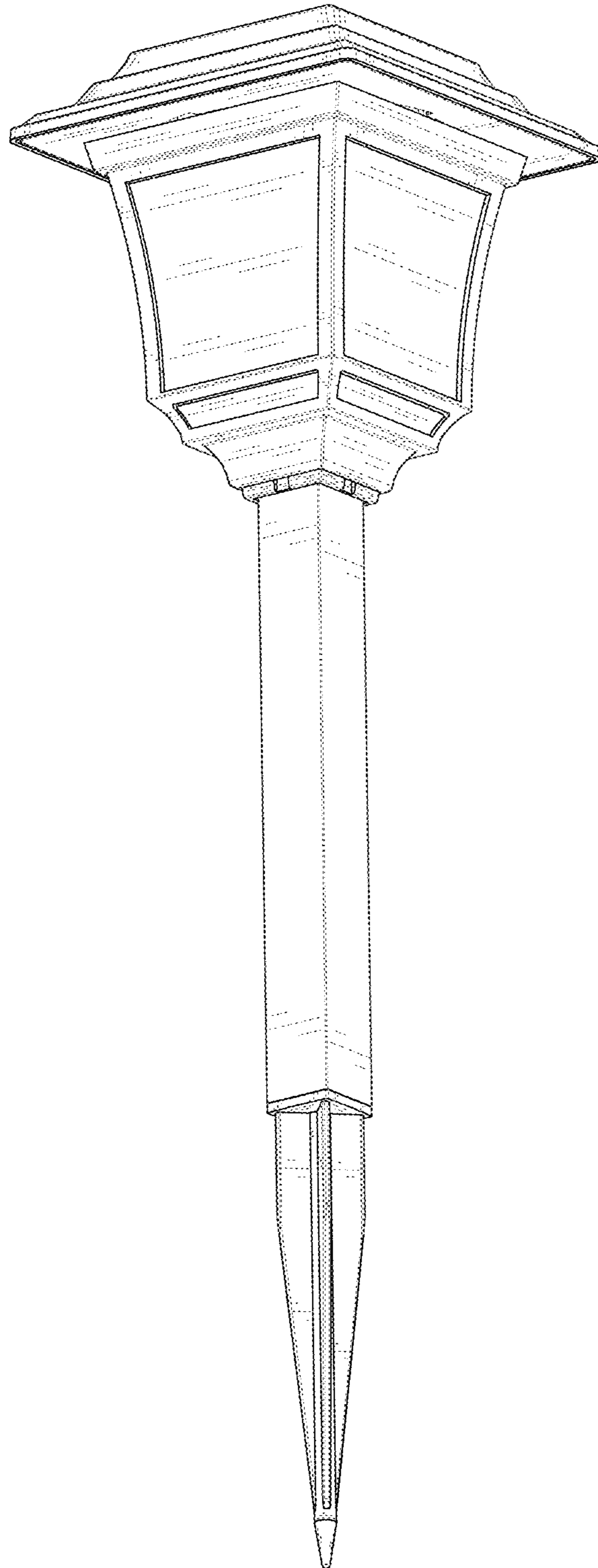


FIG. 8