



US00D954326S

(12) **United States Design Patent**
Liao

(10) **Patent No.:** **US D954,326 S**

(45) **Date of Patent:** **** Jun. 7, 2022**

(54) **SOLAR LIGHT**

(71) Applicant: **Jia Liao**, Zhuhai (CN)

(72) Inventor: **Jia Liao**, Zhuhai (CN)

(**) Term: **15 Years**

(21) Appl. No.: **29/787,403**

(22) Filed: **Jun. 7, 2021**

(51) **LOC (13) Cl.** **26-05**

(52) **U.S. Cl.**
USPC **D26/67; D25/135**

(58) **Field of Classification Search**
USPC **D26/67-70, 85; D25/135**
CPC **F21S 8/03; F21S 8/033; F21S 8/036; F21S 8/081; F21S 9/037; F21W 2111/02; F21W 2111/023; F21W 2131/109**
See application file for complete search history.

(56) **References Cited**

U.S. PATENT DOCUMENTS

D511,018 S	10/2005	Sooferian	
D580,581 S *	11/2008	Grant	D25/135
D604,439 S *	11/2009	Chen	D26/67
D694,458 S *	11/2013	Yang	D26/85
D822,866 S *	7/2018	Chen	D26/67
D877,386 S *	3/2020	Grant	D26/67
D881,434 S	4/2020	He	
D887,061 S	6/2020	Li	
D898,972 S	10/2020	Pei	
D899,658 S	10/2020	Wang	
D908,943 S	1/2021	Huang	
D911,573 S *	2/2021	Shi	D26/68
D912,293 S	3/2021	Mai	
D913,558 S	3/2021	Hu	
D914,261 S	3/2021	Ouyang	
D916,345 S	4/2021	Zou	
D945,671 S *	3/2022	Liao	D25/135
D945,674 S *	3/2022	Nobes	D25/135

2002/0148183 A1 *	10/2002	Grant	F21S 8/081
			52/302.5
2005/0247920 A1 *	11/2005	Burkart	E04H 17/20
			256/1
2012/0033413 A1 *	2/2012	Liu	F21S 9/037
			362/183

OTHER PUBLICATIONS

Siedinlar Solar Post Cap Lights, ASIN: B09837ZDM3. Available from amazon.com Sep. 15, 2021. (Year: 2021).*

Siedinlar Solar Post Cap Lights, ASIN: B08PXSQNKY. Available from amazon.com Mar. 15, 2021. (Year: 2021).*

* cited by examiner

Primary Examiner — Clare E Heflin

(74) *Attorney, Agent, or Firm* — Rumit Ranjit Kanakia

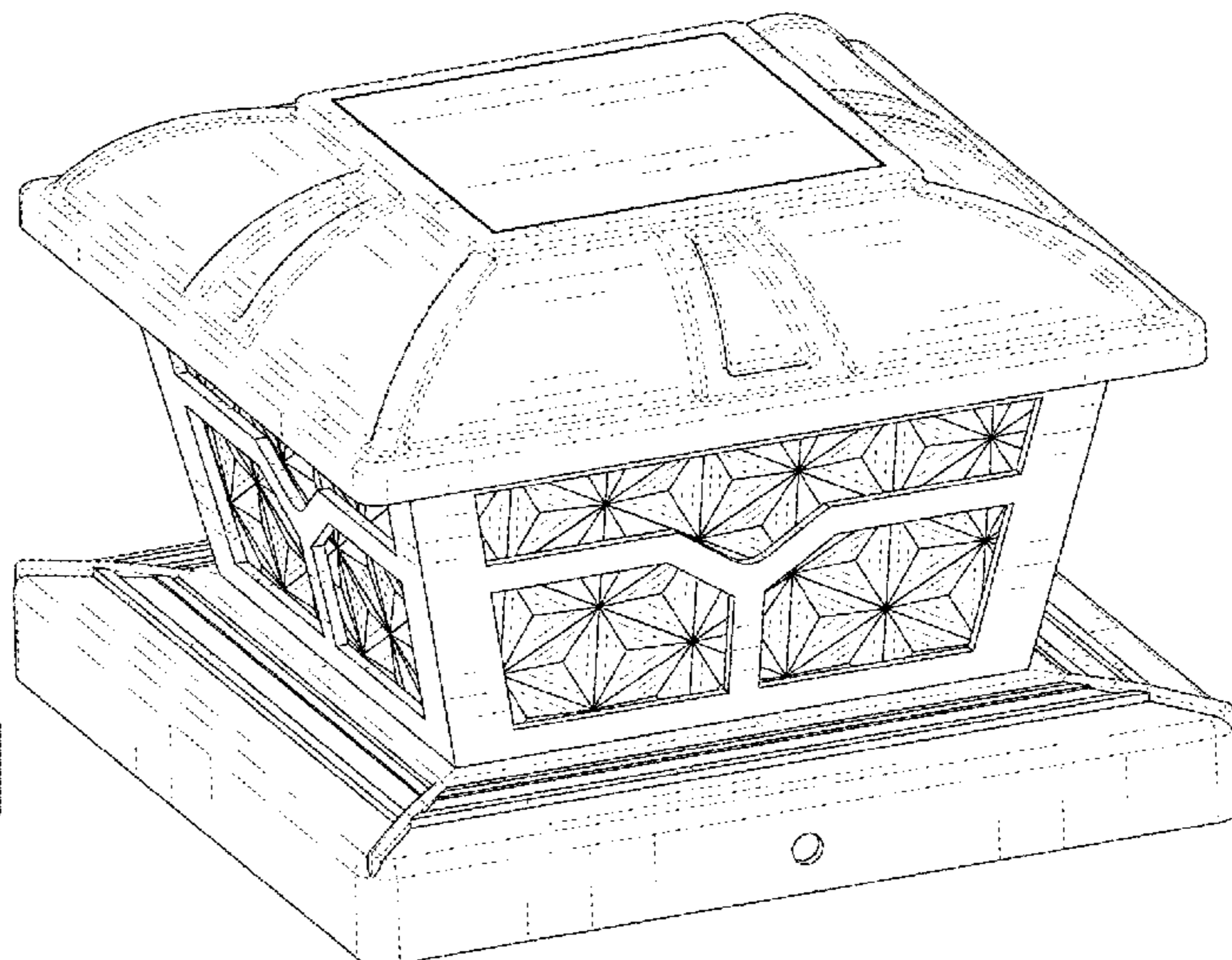
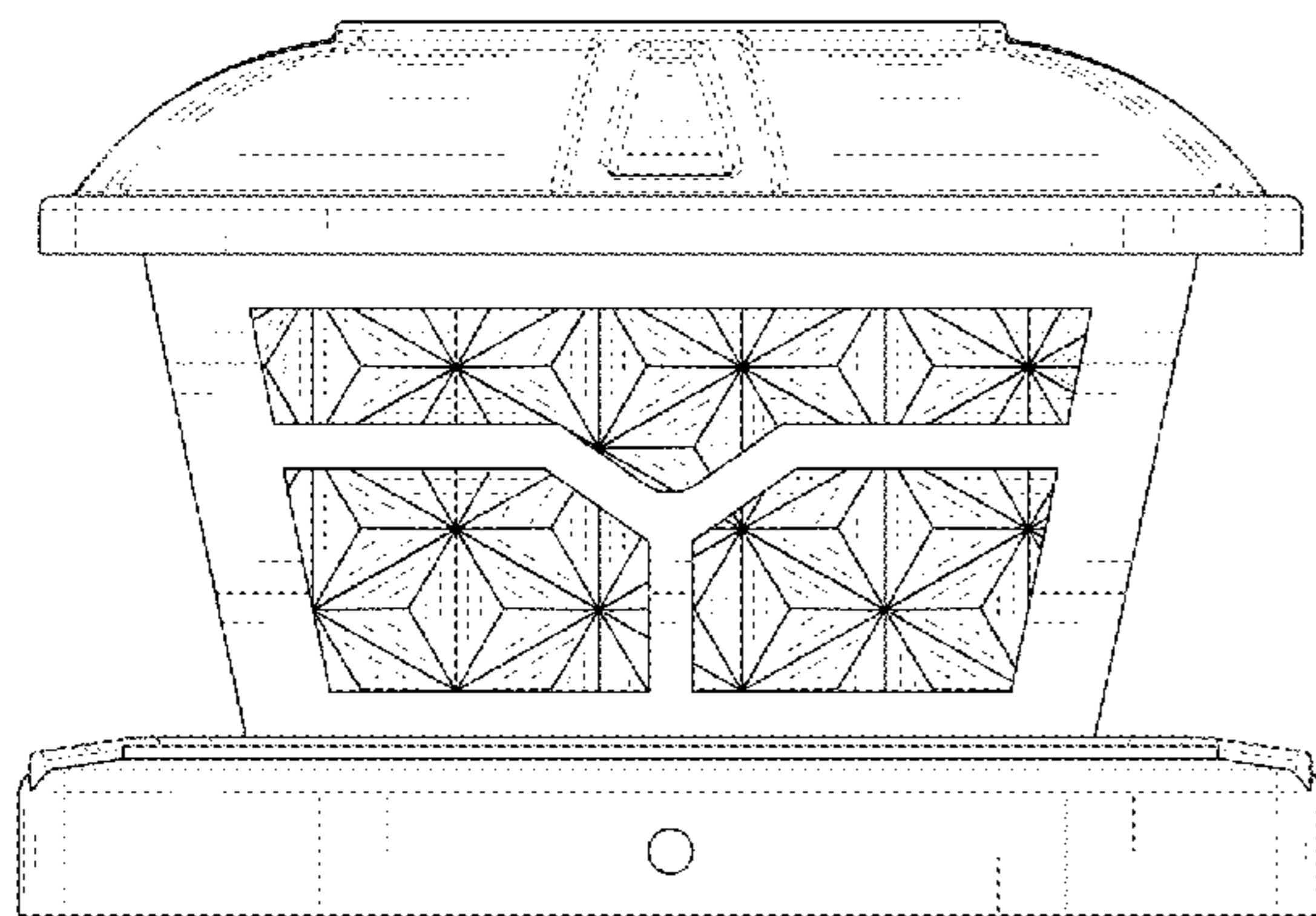
(57) **CLAIM**

The ornamental design for a solar light, as shown and described.

DESCRIPTION

FIG. 1 is a front elevational view of a solar light showing my new design;
FIG. 2 is a rear elevational view thereof; and
FIG. 3 is a left side view thereof;
FIG. 4 is a right side view thereof;
FIG. 5 is a top plan view thereof;
FIG. 6 is a bottom plan view thereof;
FIG. 7 is a perspective view of a solar light showing my new design; and,
FIG. 8 is another perspective view thereof.
The broken lines in the figures are for the purposes of illustrating portions of the solar light, which form no part of the claimed design.

1 Claim, 8 Drawing Sheets



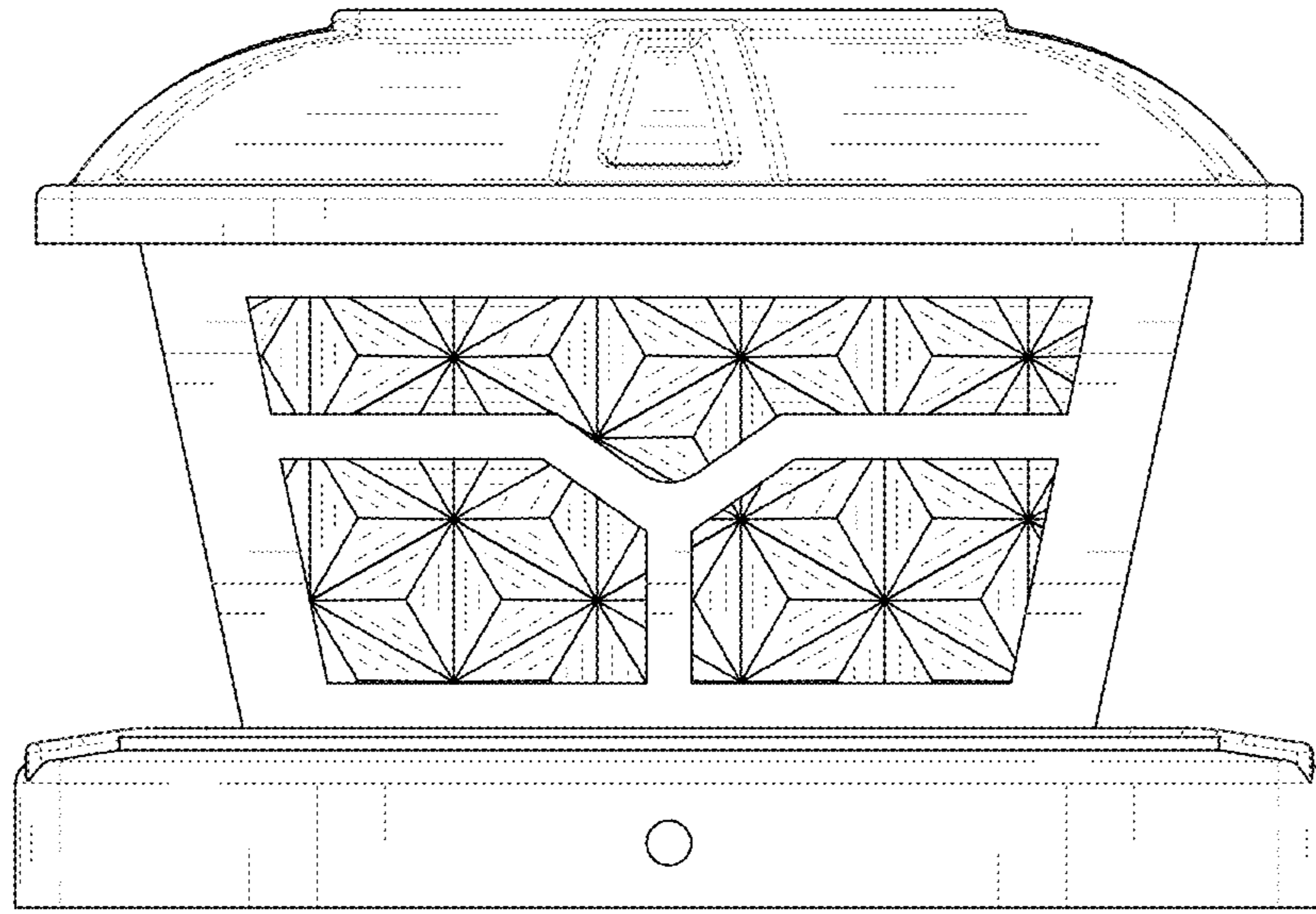


FIG. 1

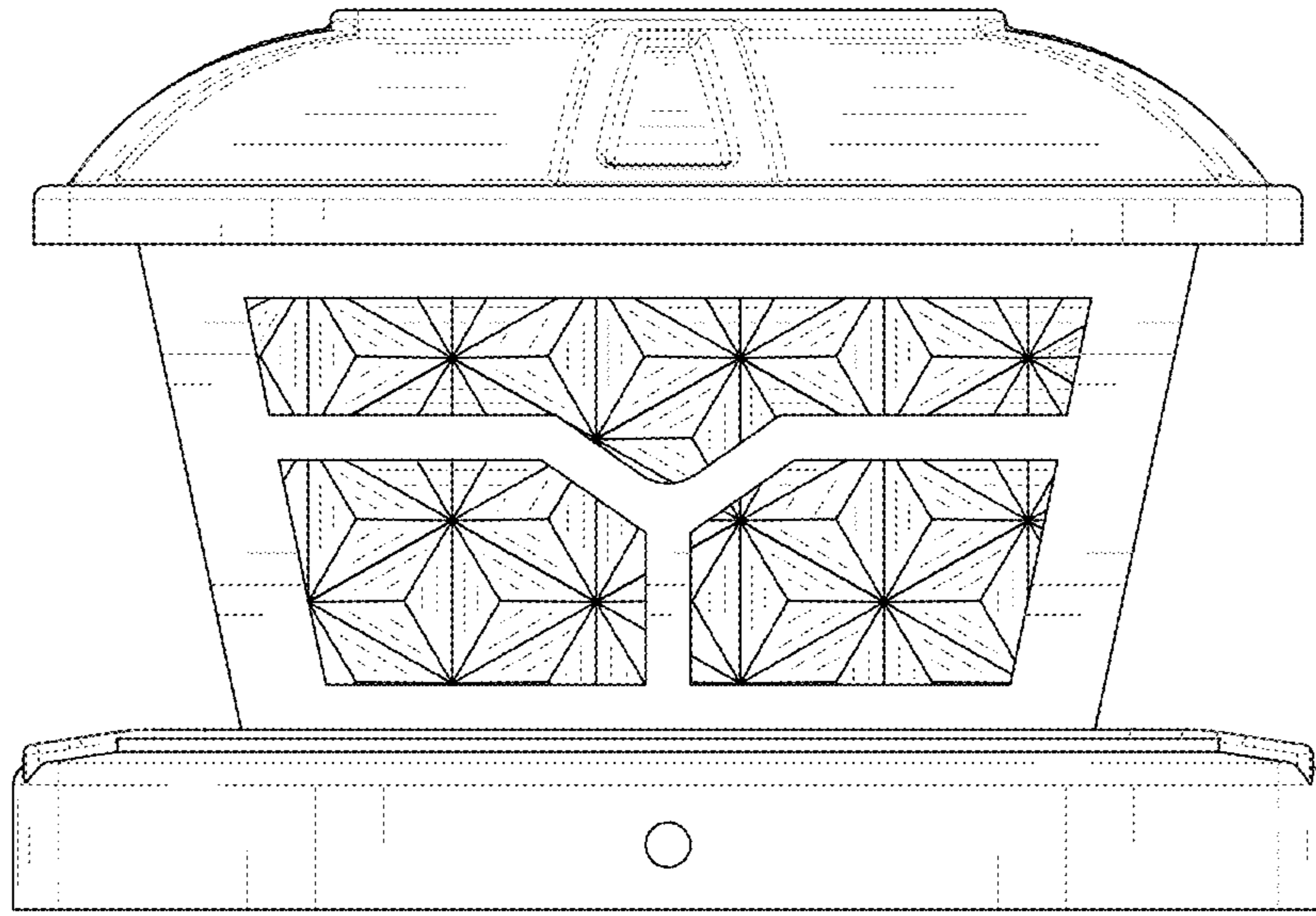


FIG. 2

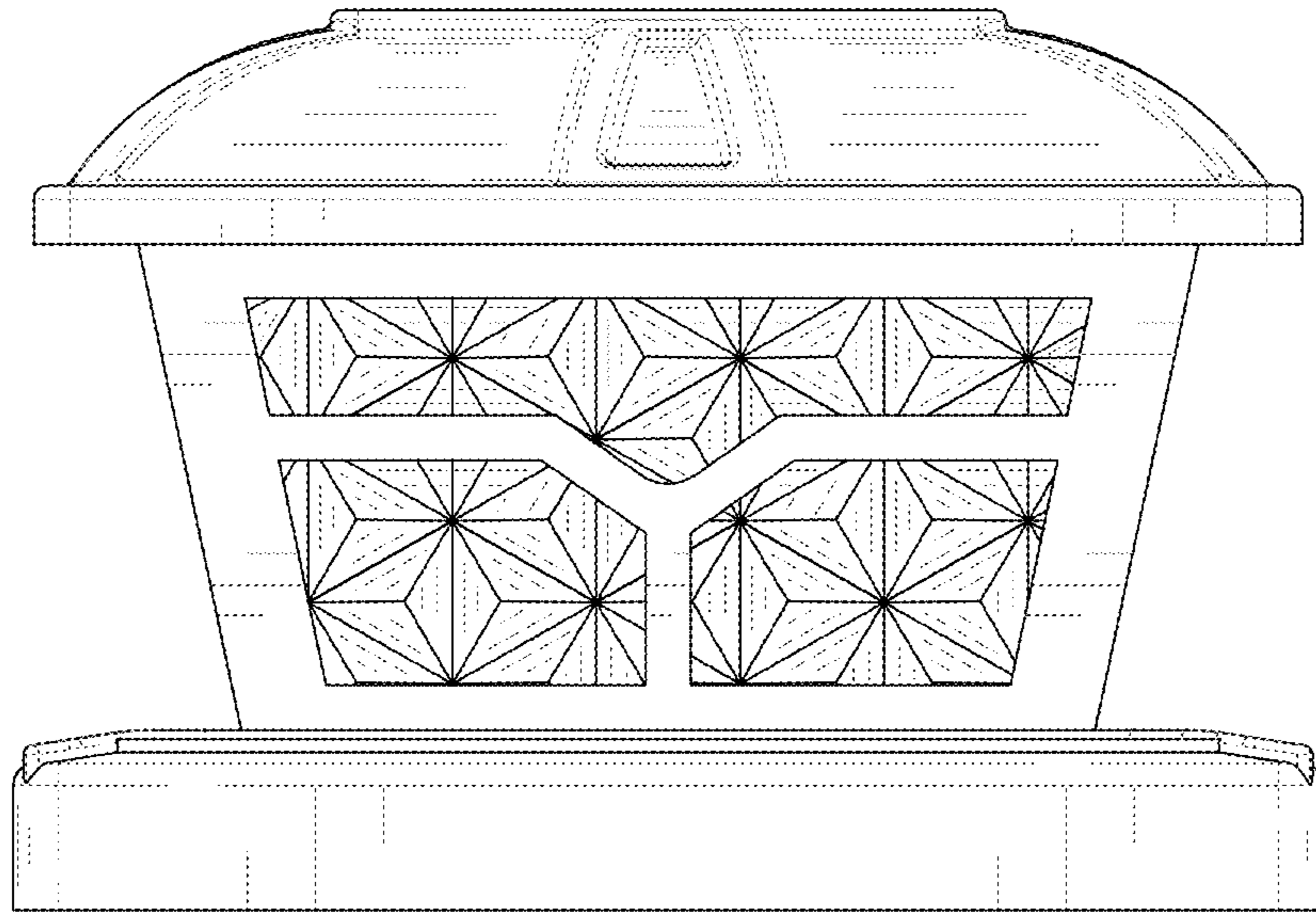


FIG. 3

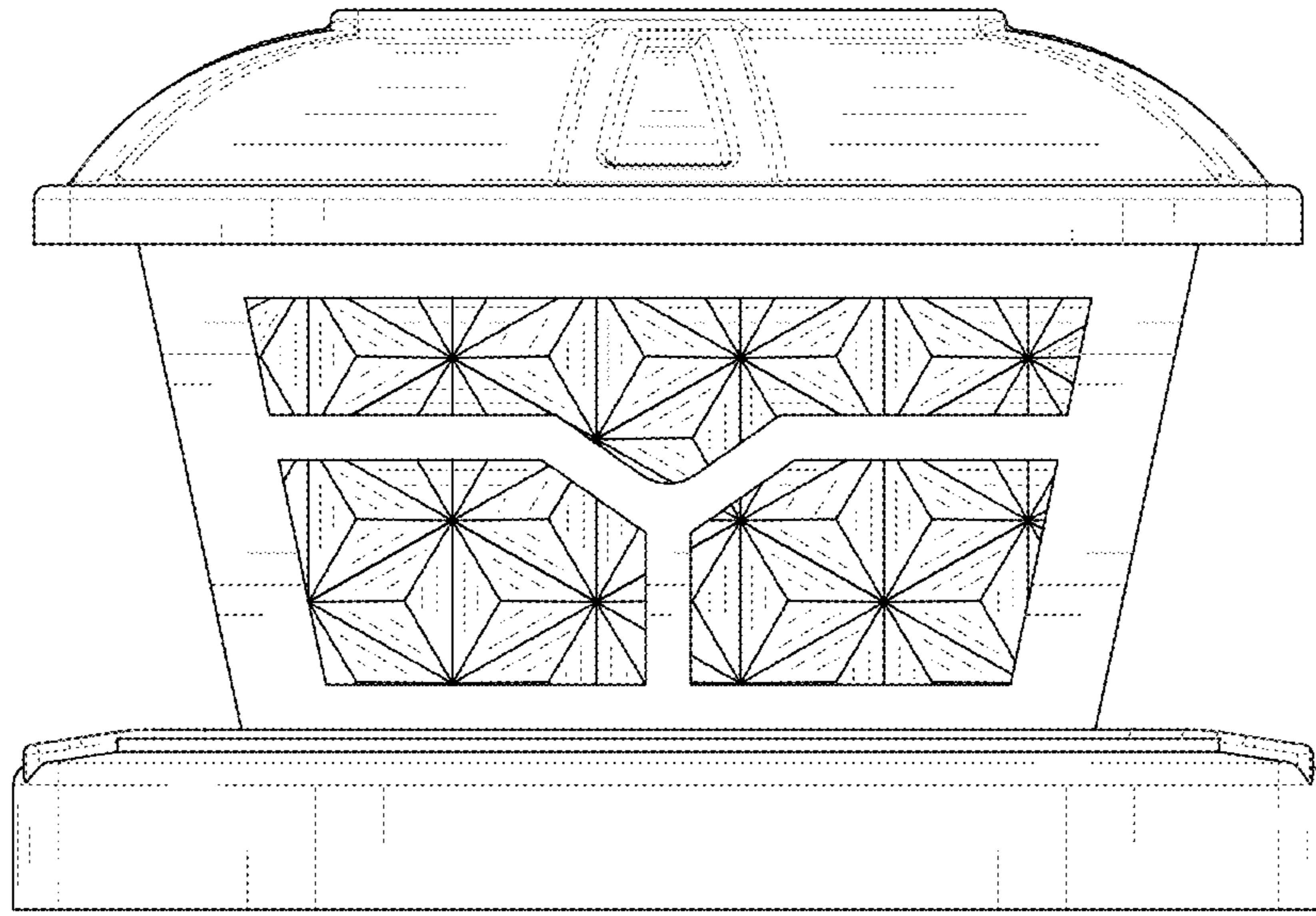


FIG. 4

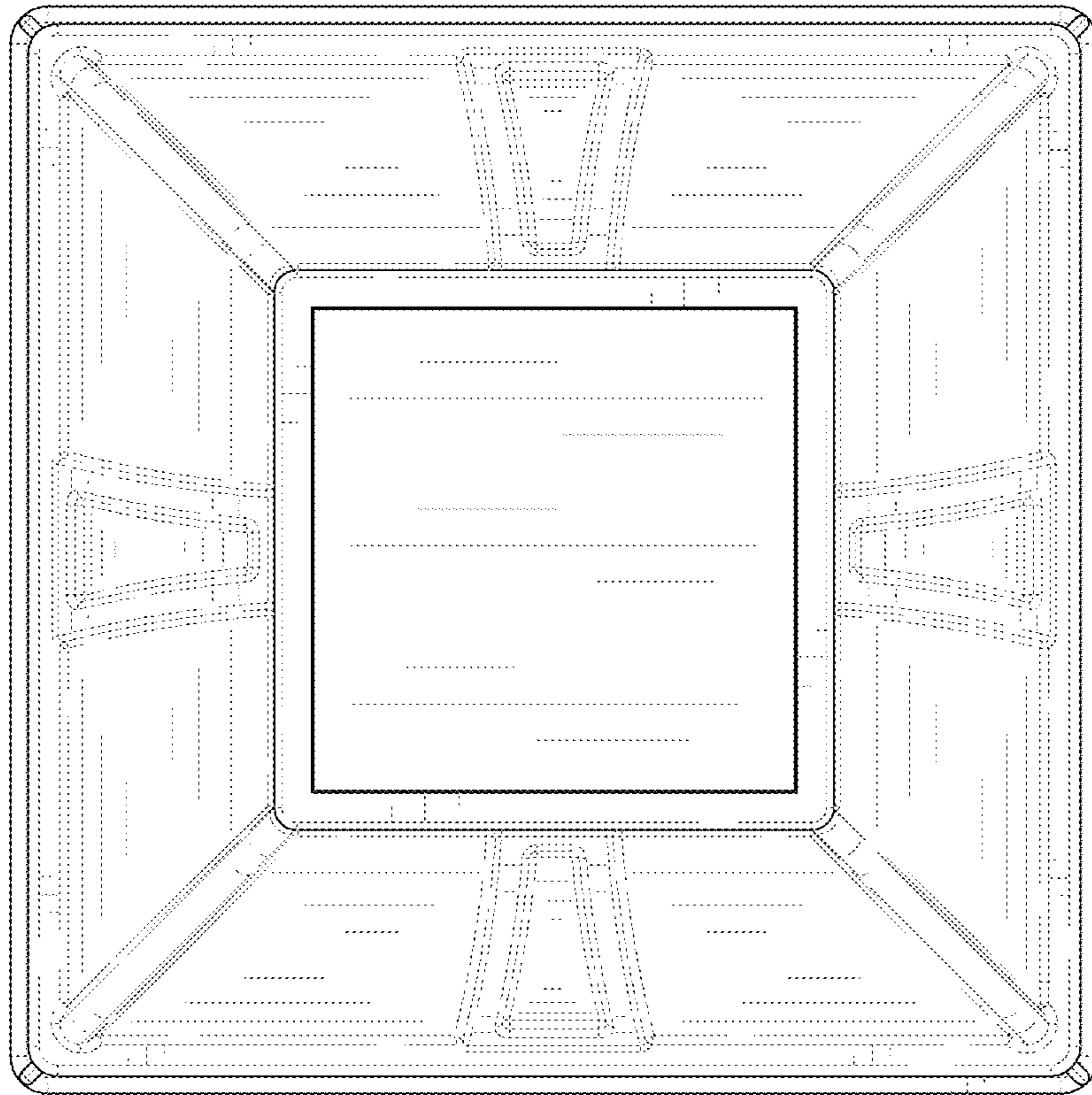


FIG. 5

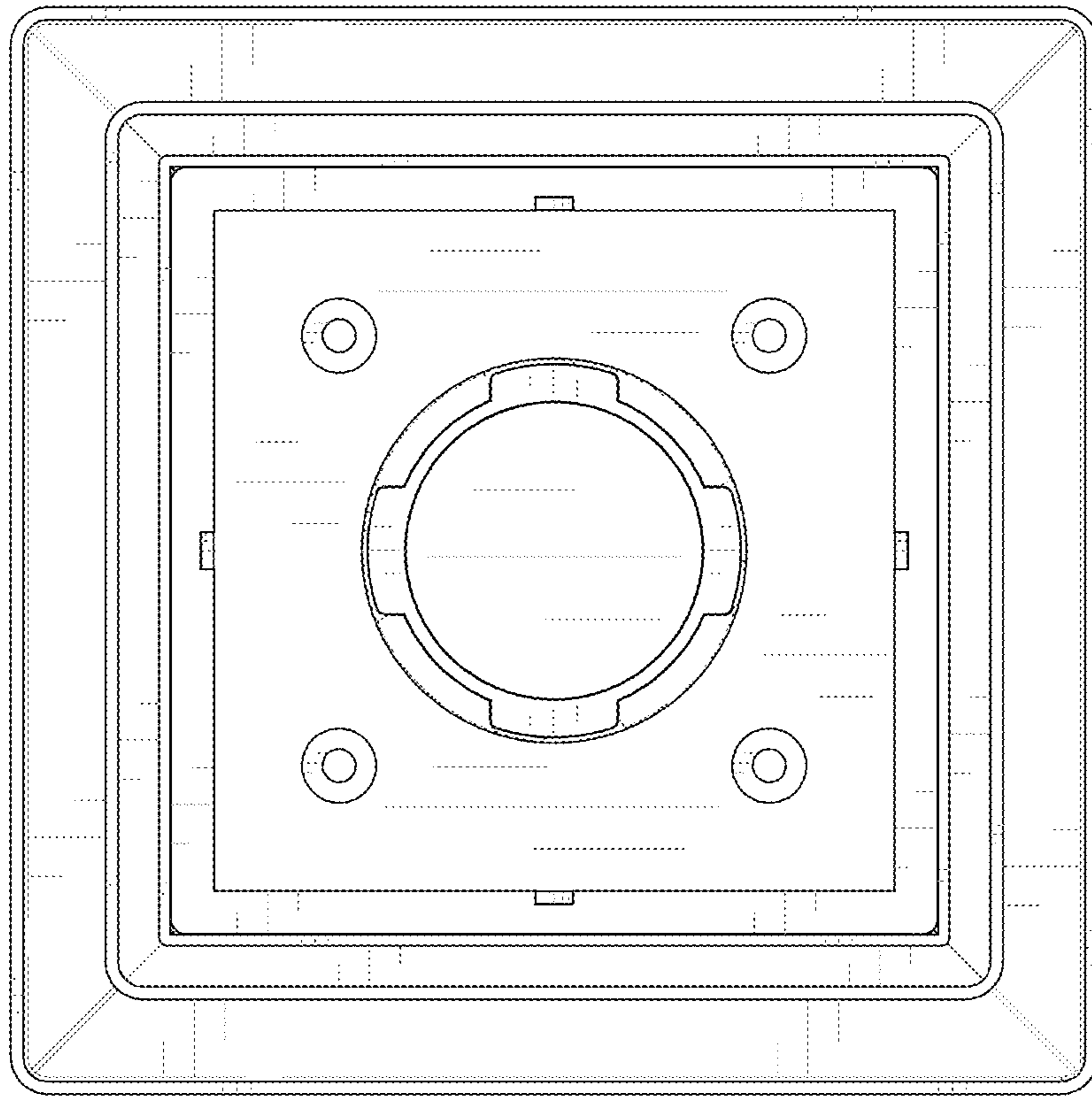


FIG. 6

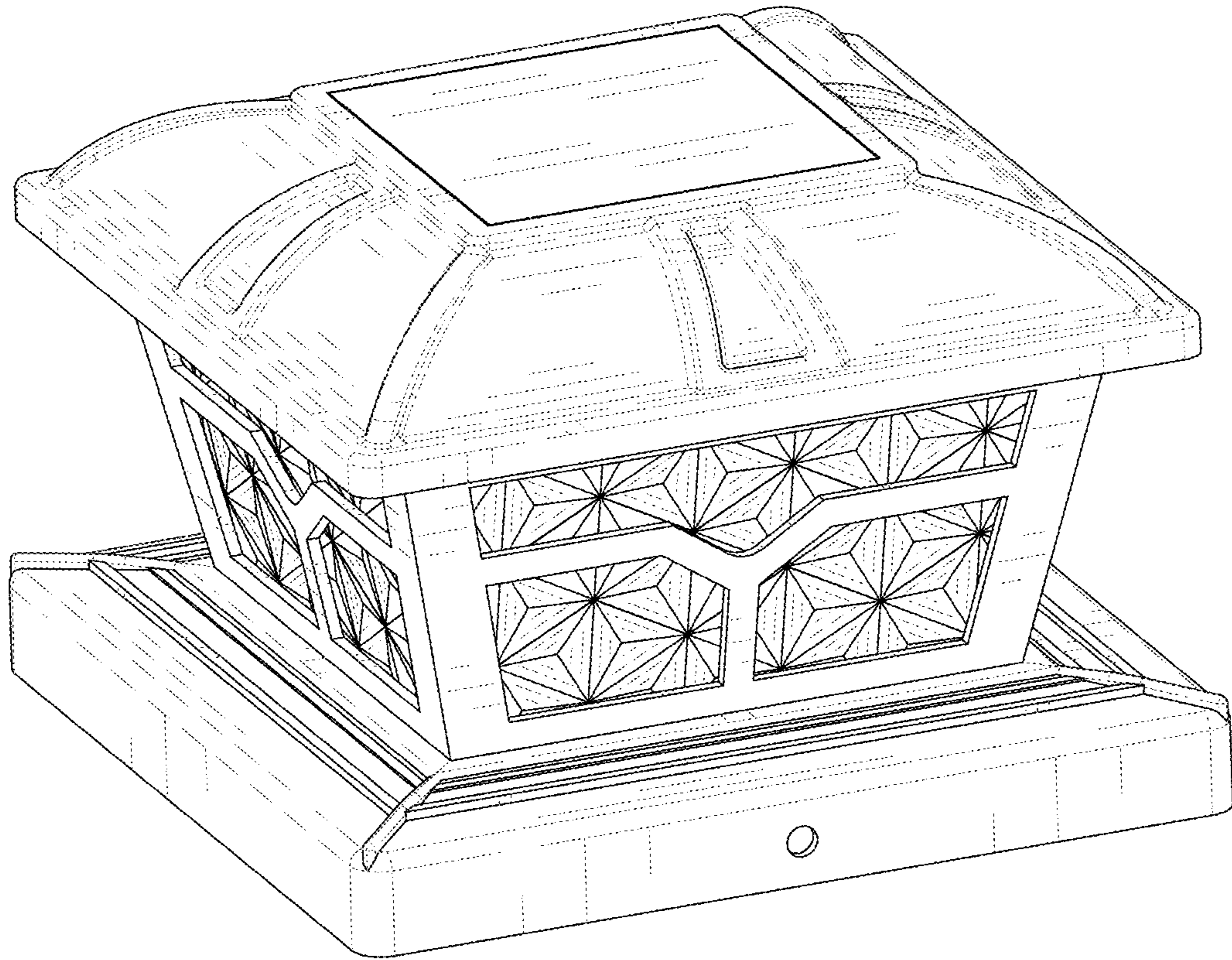


FIG. 7

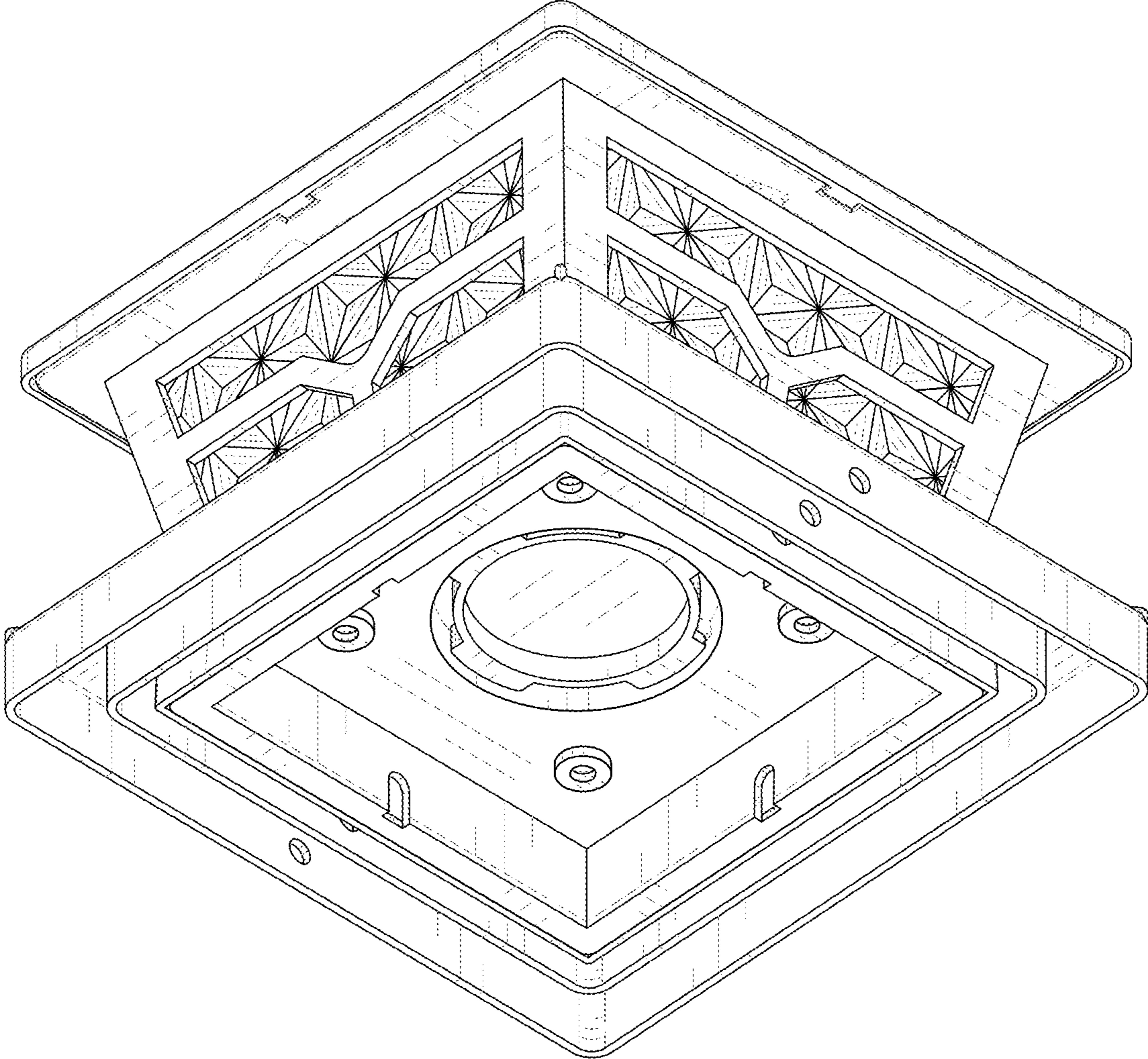


FIG. 8