



US00D954325S

(12) **United States Design Patent**
Liao

(10) **Patent No.:** **US D954,325 S**
(45) **Date of Patent:** **** Jun. 7, 2022**

(54) **SOLAR LIGHT**

(71) Applicant: **Jia Liao**, Zhuhai (CN)

(72) Inventor: **Jia Liao**, Zhuhai (CN)

(**) Term: **15 Years**

(21) Appl. No.: **29/787,402**

(22) Filed: **Jun. 7, 2021**

(51) **LOC (13) Cl.** **26-05**

(52) **U.S. Cl.**
USPC **D26/67**

(58) **Field of Classification Search**
USPC D26/67-70, 85, 89; D25/135
CPC F21S 8/03; F21S 8/033; F21S 8/036; F21S
8/081; F21S 9/037; F21W 2111/02;
F21W 2111/023; F21W 2131/109
See application file for complete search history.

(56) **References Cited**

U.S. PATENT DOCUMENTS

D318,135 S *	7/1991	Hall	D26/68
D511,018 S	10/2005	Sooferian		
D565,447 S *	4/2008	Hornig	D10/113.1
D864,452 S *	10/2019	Wei	D26/67
D866,839 S *	11/2019	Yan	D26/67
D881,434 S	4/2020	He		
D887,061 S	6/2020	Li		
D898,972 S	10/2020	Pei		
D899,658 S	10/2020	Wang		
D905,887 S *	12/2020	Li	D26/67
D908,943 S	1/2021	Huang		
D912,293 S	3/2021	Mai		
D913,558 S	3/2021	Hu		
D914,261 S	3/2021	Ouyang		
D916,345 S	4/2021	Zou		

D925,803 S *	7/2021	Zhong	D26/67
D942,662 S *	2/2022	Wang	D10/113.1
2012/0033413 A1*	2/2012	Liu	F21S 9/037 362/183

OTHER PUBLICATIONS

Siedinlar Solar Driveway Deck Lights, ASIN: B07D6P8PTW. Available from amazon.com May 21, 2018. (Year: 2018).*
Happybuy Driveway Lights, ASIN: B08B5TVJPK. Available from amazon.com Aug. 23, 2021. (Year: 2021).*
Volisun Solar Driveway Lights Dock Marine Lights, ASIN: B09CDCSQXP. Available from amazon.com Aug. 11, 2021. (Year: 2021).*

* cited by examiner

Primary Examiner — Clare E Hefflin
(74) *Attorney, Agent, or Firm* — Rumit Ranjit Kanakia

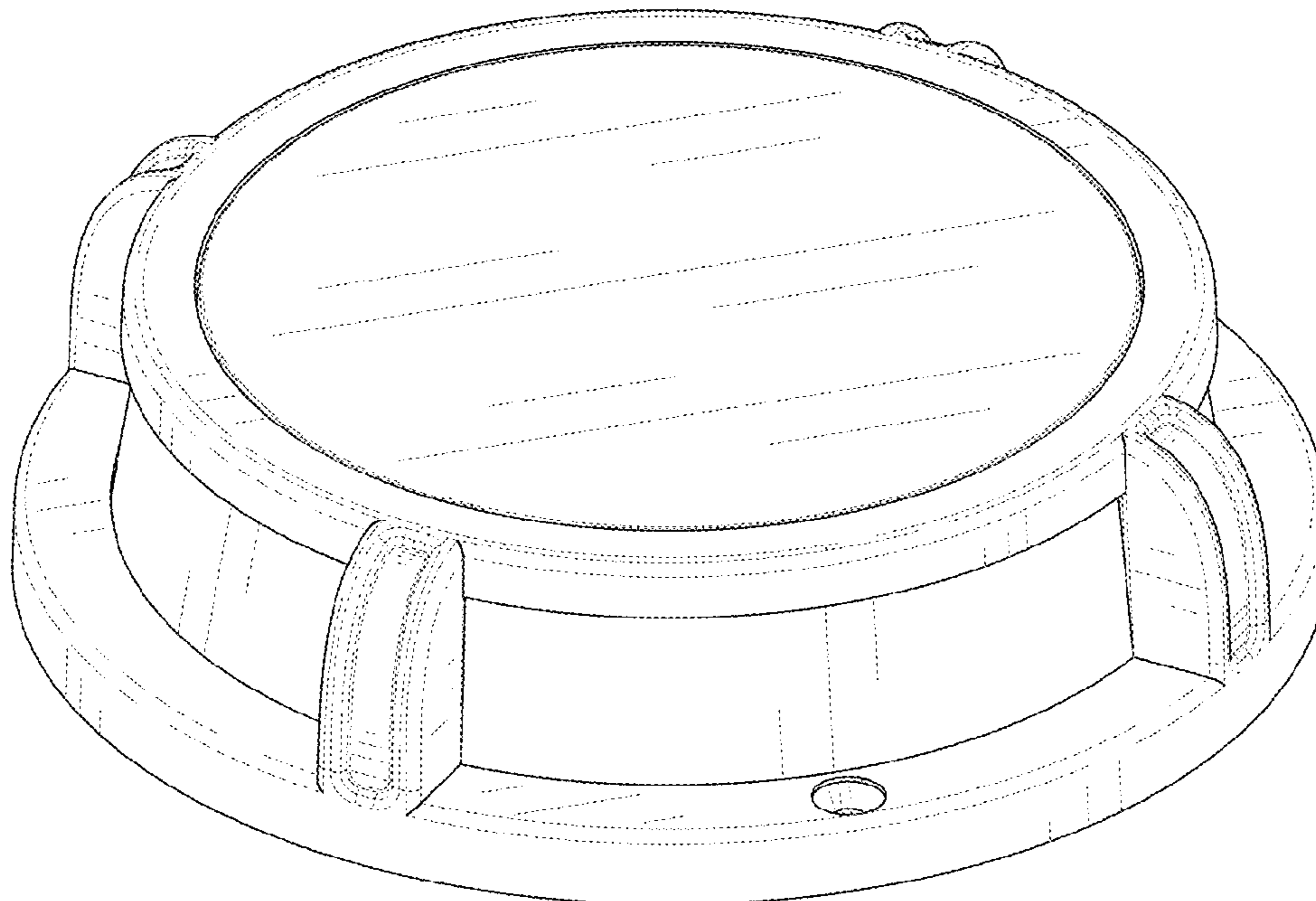
(57) **CLAIM**

The ornamental design for a solar light, as shown and described.

DESCRIPTION

FIG. 1 is a front elevational view of a solar light showing my new design;
FIG. 2 is a rear elevational view thereof; and
FIG. 3 is a left side view thereof;
FIG. 4 is a right side view thereof;
FIG. 5 is a top plan view thereof;
FIG. 6 is a bottom plan view thereof;
FIG. 7 is a perspective view of a solar light showing my new design; and,
FIG. 8 is another perspective view thereof.
The broken lines in the figures are for the purposes of illustrating portions of the solar light, which form no part of the claimed design.

1 Claim, 8 Drawing Sheets



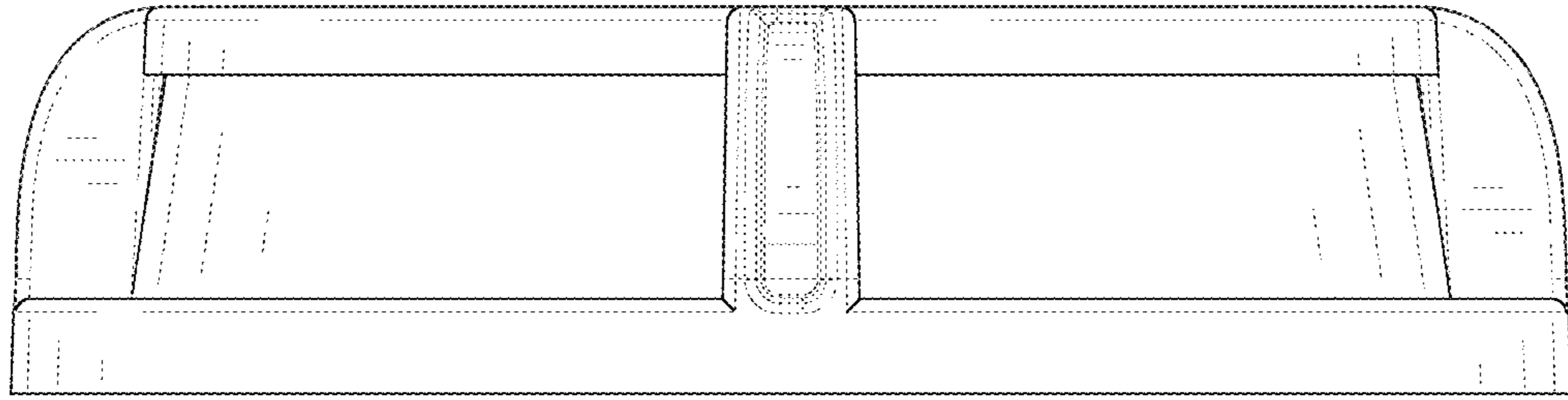


FIG. 1

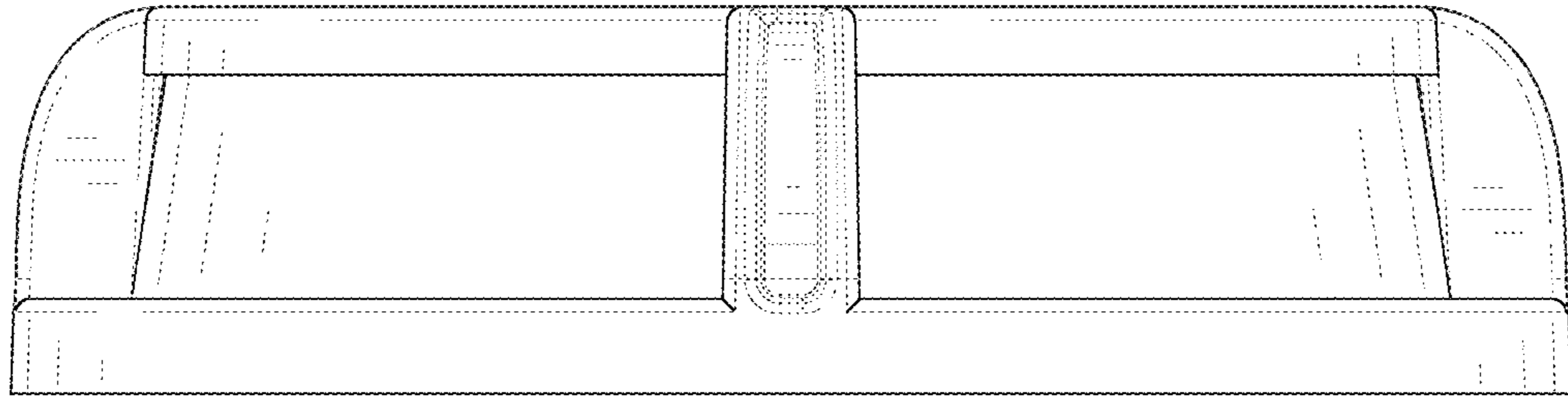


FIG. 2

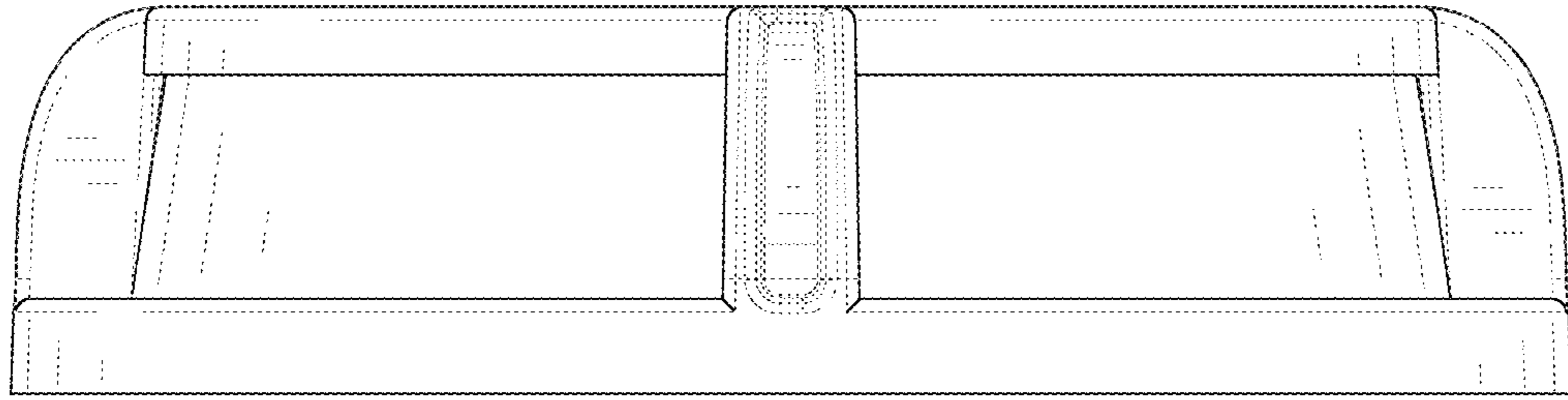


FIG. 3

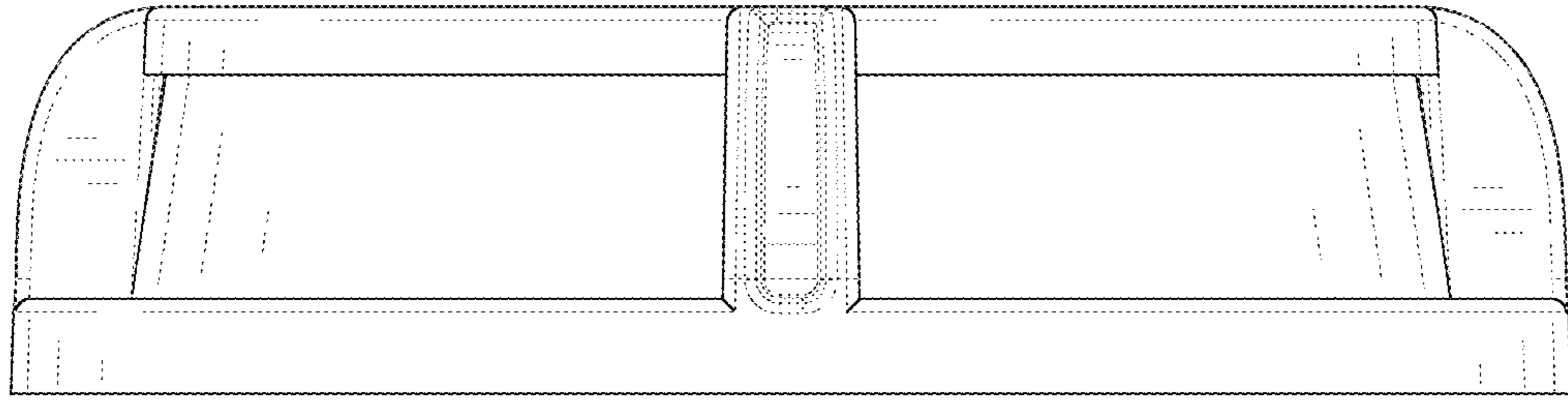


FIG. 4

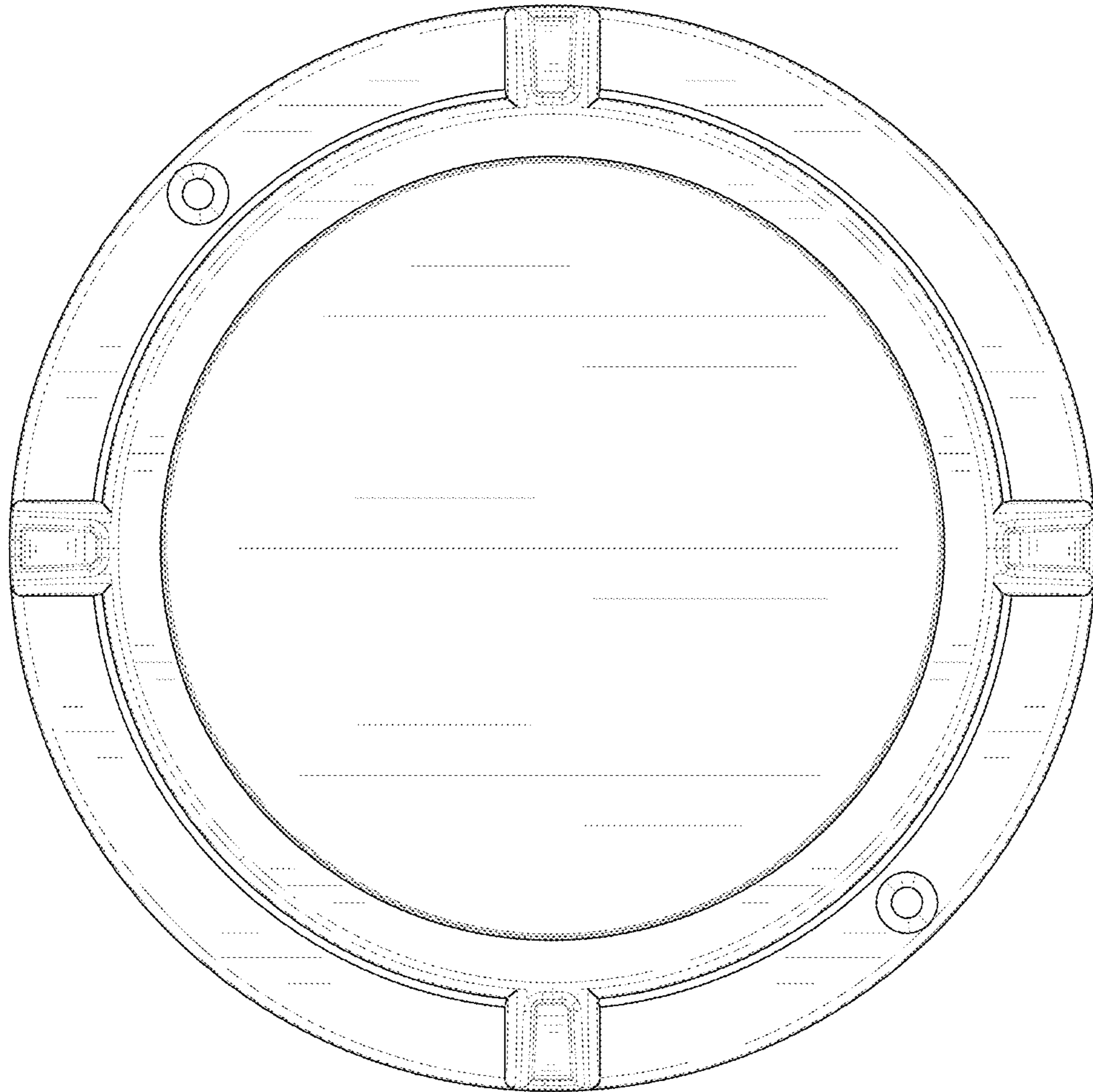


FIG. 5

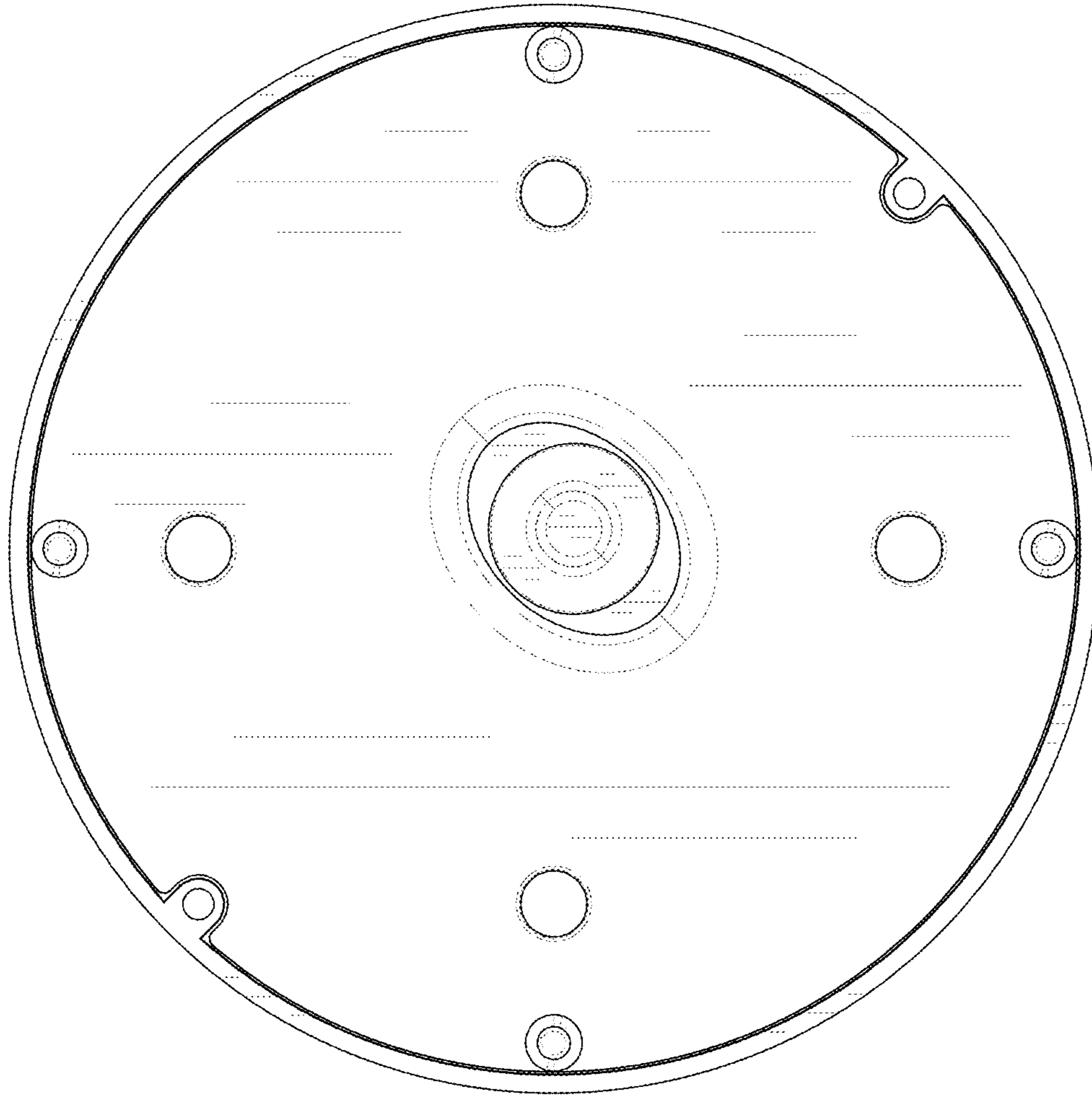


FIG. 6

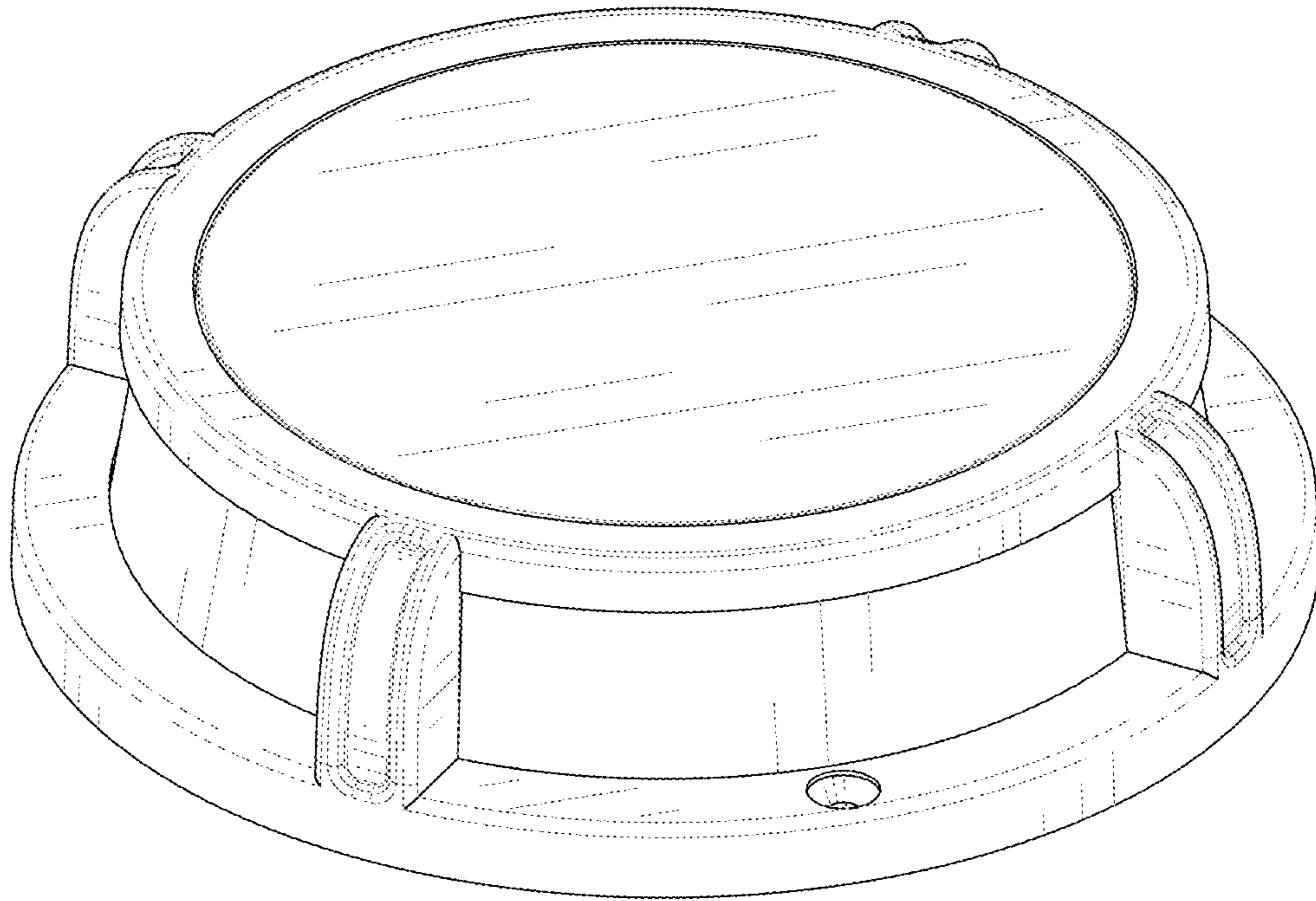


FIG. 7

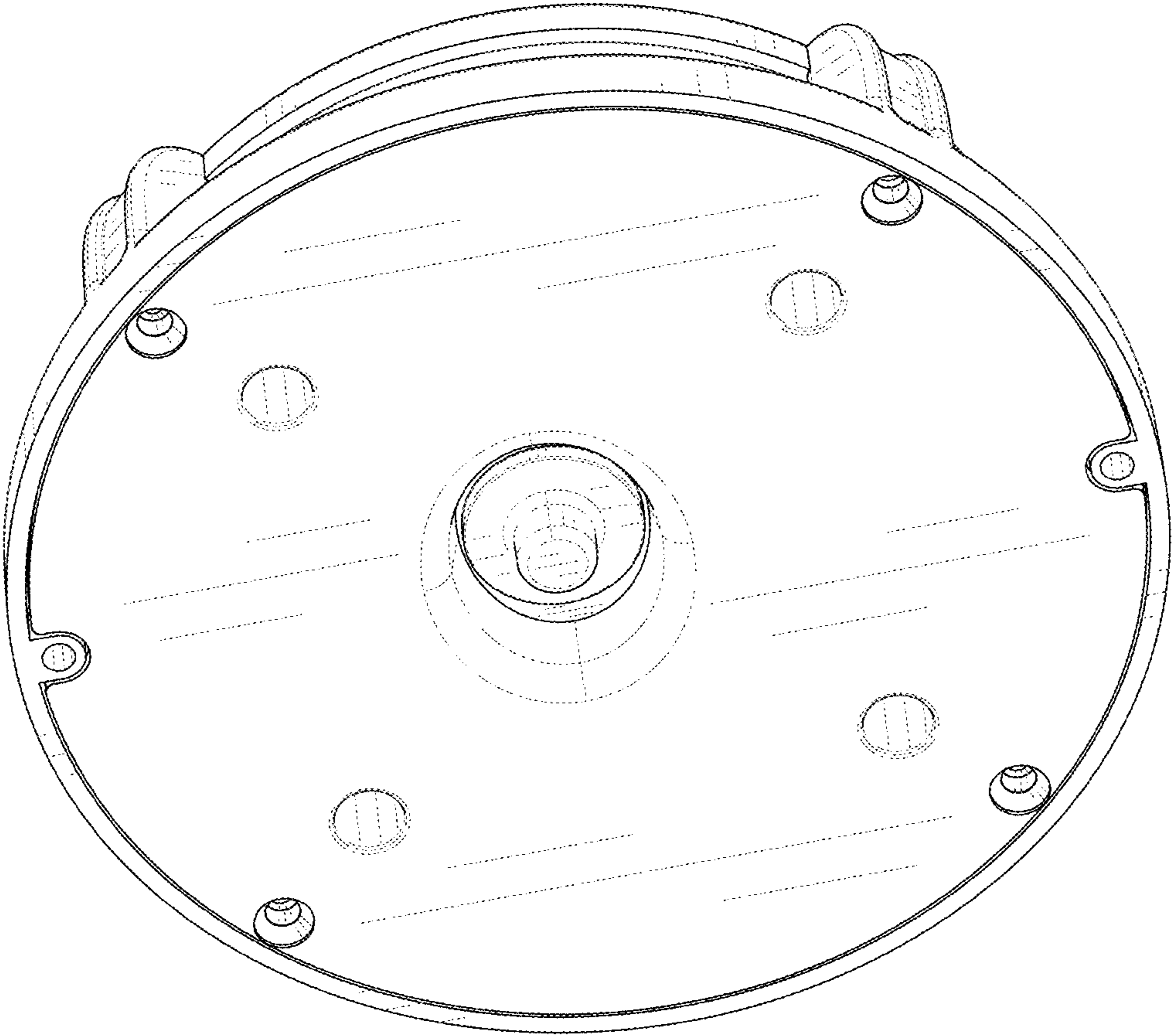


FIG. 8