



US00D954324S

(12) **United States Design Patent**  
**Rajasekaran**

(10) **Patent No.:** **US D954,324 S**  
(45) **Date of Patent:** **\*\* Jun. 7, 2022**

(54) **SOLAR LIGHT**

(71) Applicant: **E. MISHAN & SONS, INC.**, New York, NY (US)

(72) Inventor: **Mohan Rajasekaran**, Watertown, CT (US)

(73) Assignee: **E. Mishan & Sons, Inc.**, New York, NY (US)

(\*\*) Term: **15 Years**

(21) Appl. No.: **29/762,337**

(22) Filed: **Dec. 16, 2020**

(51) **LOC (13) Cl.** ..... **26-05**

(52) **U.S. Cl.**  
USPC ..... **D26/65; D26/63**

(58) **Field of Classification Search**  
USPC ..... D26/24, 51, 61, 63, 65, 67, 72, 80, 81, D26/83, 92, 100, 120; D16/203  
CPC ..... F21S 8/00; F21S 8/04; F21S 8/003; F21S 8/033; F21S 9/00; F21S 9/02; F21S 9/022; F21S 9/03; F21S 9/032; F21S 9/035; F21S 9/037; F21W 2131/10; F21W 2131/20; F21W 2131/101; F21W 2131/107; F21W 2131/402; F21W 2131/1005; F21V 21/00; F21V 21/02; F21V 21/10; F21V 21/14; F21V 21/26; F21V 21/30; F21V 14/02; F21V 17/02  
See application file for complete search history.

(56) **References Cited**

**U.S. PATENT DOCUMENTS**

D578,696 S	10/2008	Wang	
D586,934 S	2/2009	Ogashiwa	
D690,613 S *	10/2013	Holland	D10/114.2
D761,474 S	7/2016	Chen	
D774,231 S	12/2016	Recker	
D810,342 S *	2/2018	Chen	D26/68

D821,626 S *	6/2018	Hou	D26/69
D835,335 S	12/2018	Paredes	
10,168,032 B2	1/2019	Bailey	
D848,046 S *	5/2019	Zhuo	D26/67
D867,644 S *	11/2019	Luo	D26/68
D866,036 S	12/2019	Tan	
D869,720 S	12/2019	Recker	
D879,349 S *	3/2020	Li	D26/63
D884,952 S	5/2020	Cao	
D885,629 S	5/2020	Liu	
D885,630 S	5/2020	Lin	
D887,610 S	6/2020	Wei	

(Continued)

**FOREIGN PATENT DOCUMENTS**

EM	006708111-0001	8/2019
EM	008004832-0003	6/2020

(Continued)

*Primary Examiner* — Wan Laymon

*Assistant Examiner* — Clint A Samuel

(74) *Attorney, Agent, or Firm* — Notaro, Michalos & Zaccaria P.C.

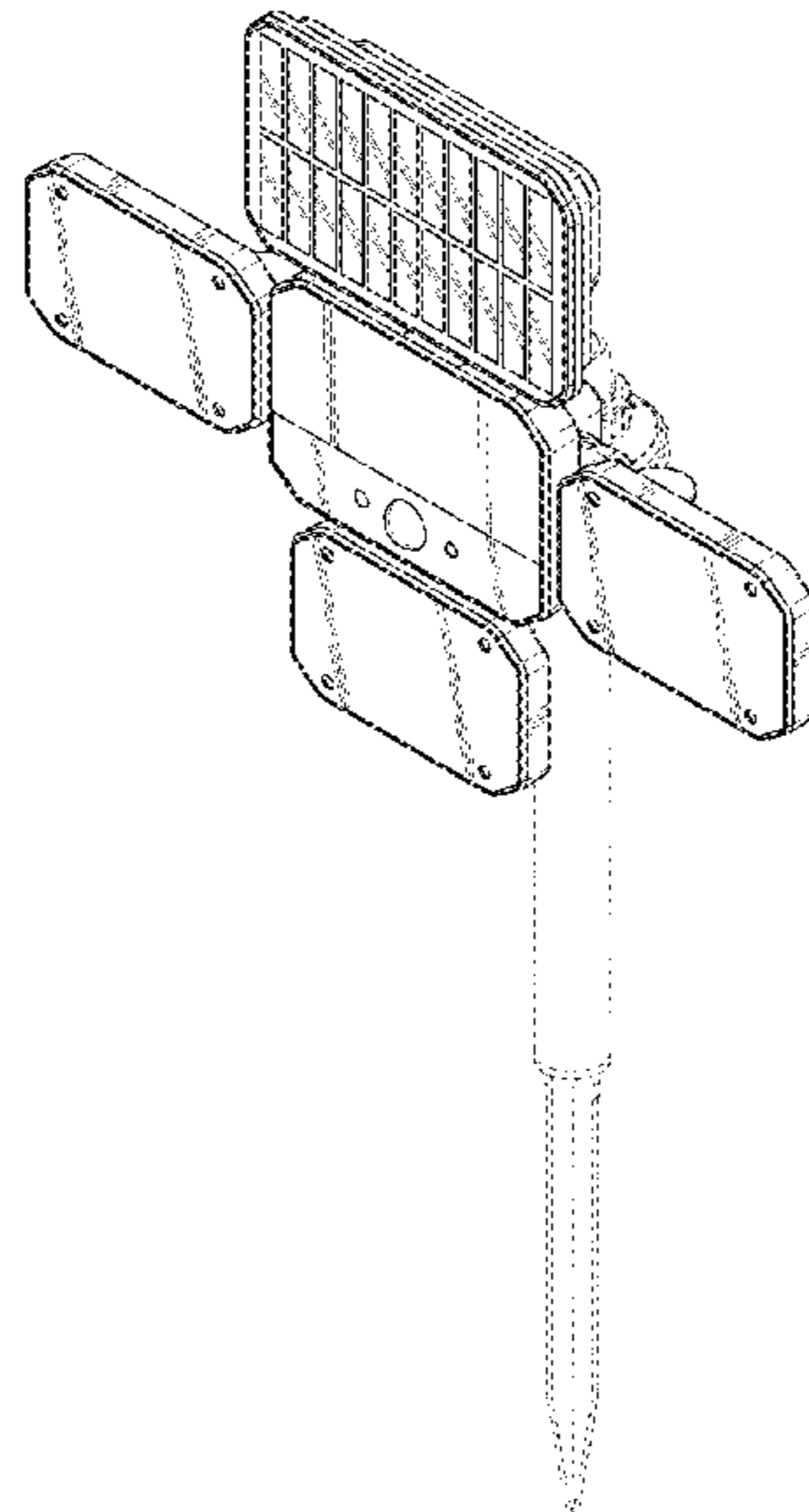
(57) **CLAIM**

The ornamental design for a solar light, as shown and described.

**DESCRIPTION**

FIG. 1 is a top, front, left perspective view of a solar light showing my design;  
FIG. 2 is a front elevational view thereof;  
FIG. 3 is a rear elevational view thereof;  
FIG. 4 is a left elevational view thereof;  
FIG. 5 is a right elevational view thereof;  
FIG. 6 is a top plan view thereof; and,  
FIG. 7 is a bottom plan view thereof.  
The broken lines shown in the drawings are included for the purpose of illustrating environmental elements of the solar light, and form no part of the claimed design.

**1 Claim, 6 Drawing Sheets**



(56)

**References Cited**

U.S. PATENT DOCUMENTS

D891,687 S	7/2020	Chen	
D892,380 S *	8/2020	Yan .....	D26/65
D898,972 S *	10/2020	Pei .....	D26/67
D907,829 S *	1/2021	Rajasekaran .....	D26/63
D912,869 S *	3/2021	Lin .....	D26/63
D914,261 S *	3/2021	Ouyang .....	D26/65
D919,154 S *	5/2021	Zhou .....	D26/63
D922,645 S *	6/2021	Gowing .....	D26/63
D925,801 S *	7/2021	Hallack .....	D26/65
D932,082 S *	9/2021	Zhang .....	D26/72
D934,479 S *	10/2021	Liu .....	D26/63
D935,671 S *	11/2021	Deng .....	D26/63
D949,449 S *	4/2022	Zhang .....	D26/63
D949,451 S *	4/2022	Zhang .....	D26/63

FOREIGN PATENT DOCUMENTS

EM	008008304-0002	6/2020
EM	008121305-0001	8/2020
EM	008262612-0001	11/2020

\* cited by examiner

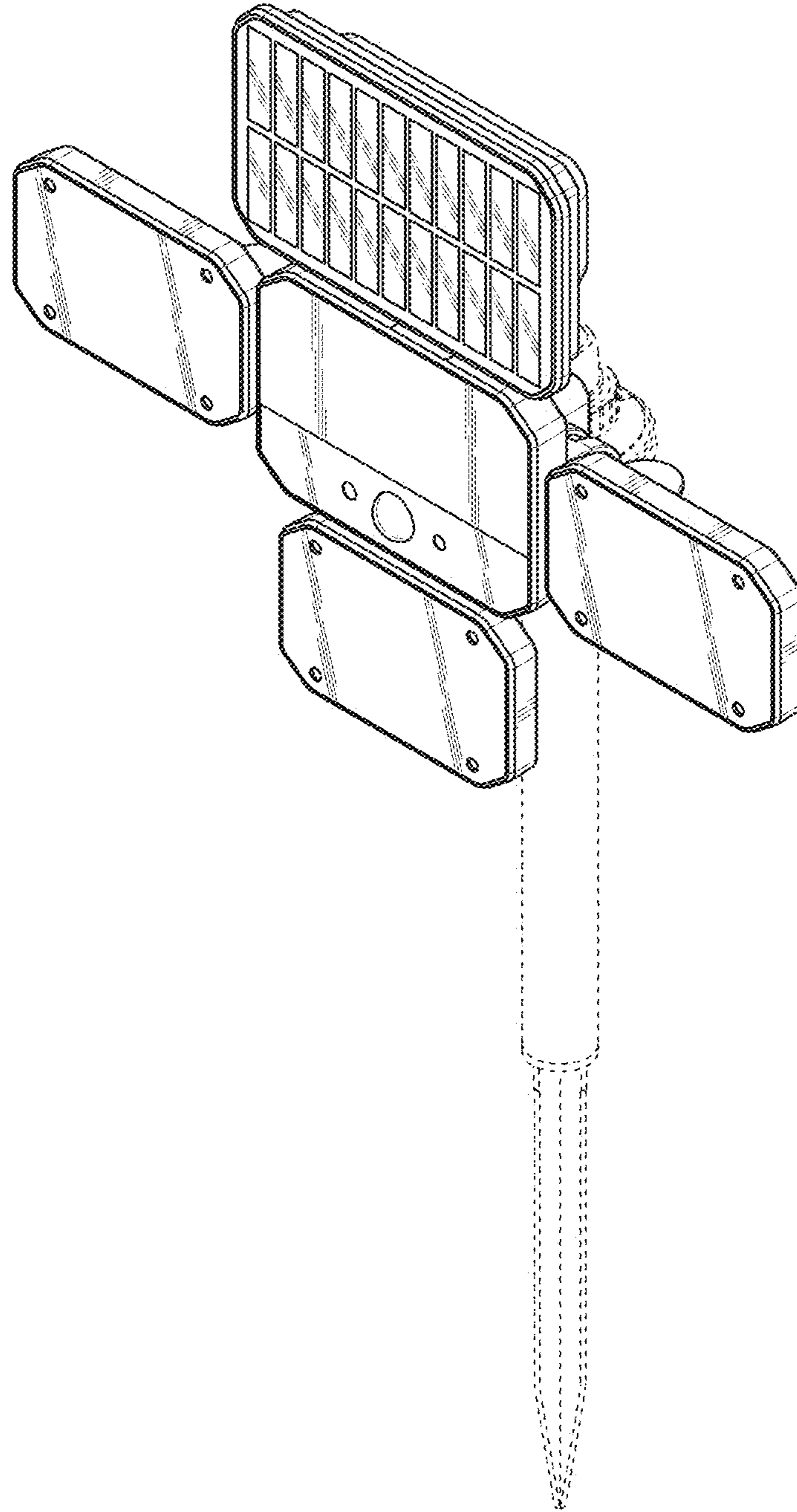


FIG. 1

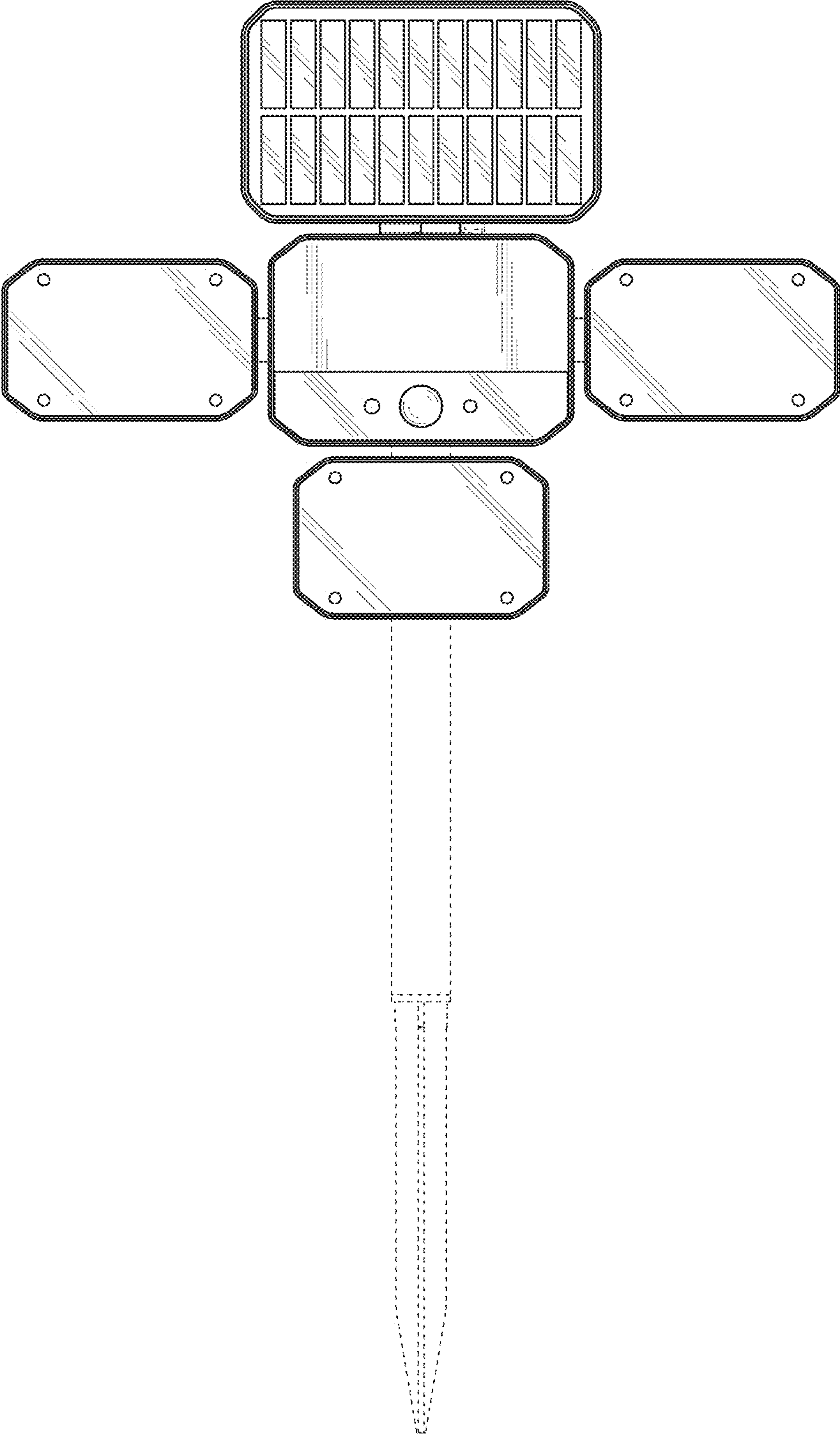


FIG. 2

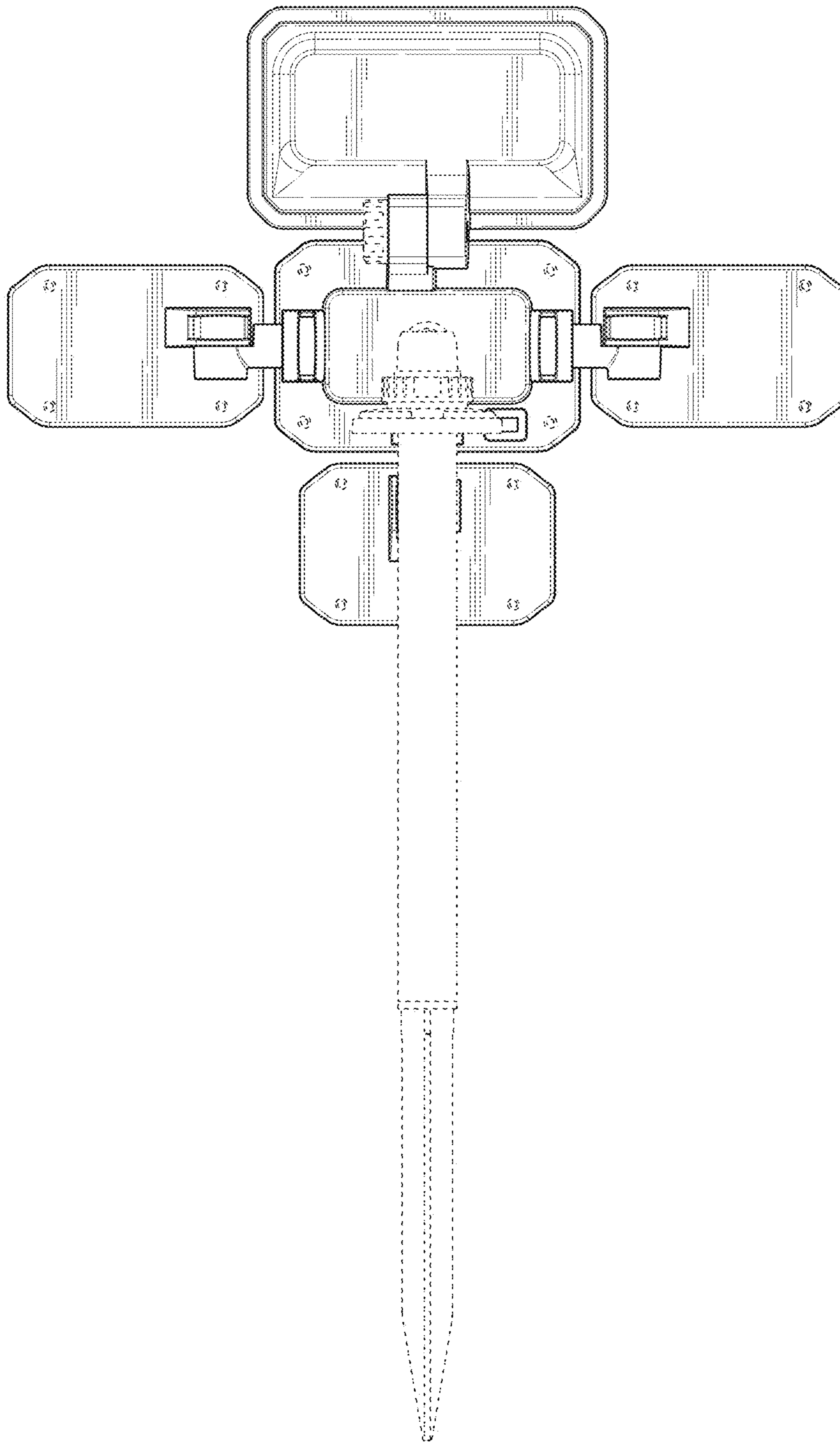


FIG. 3

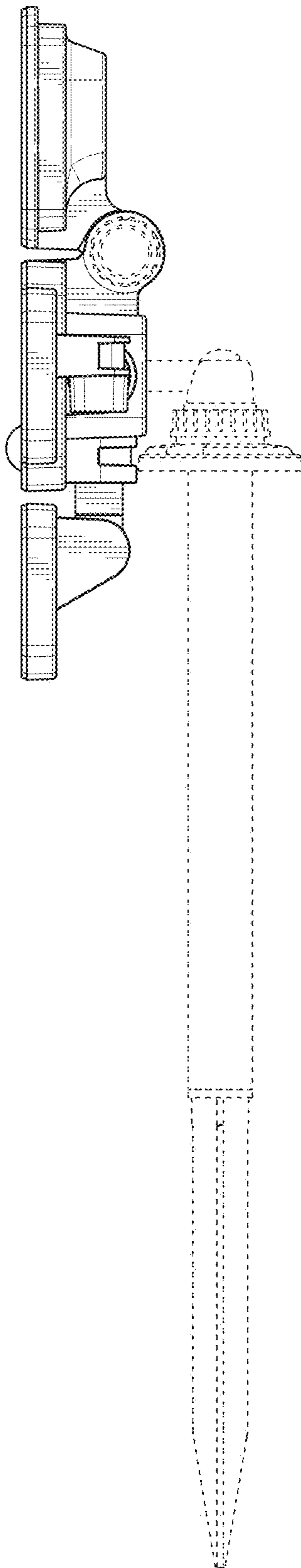


FIG. 4

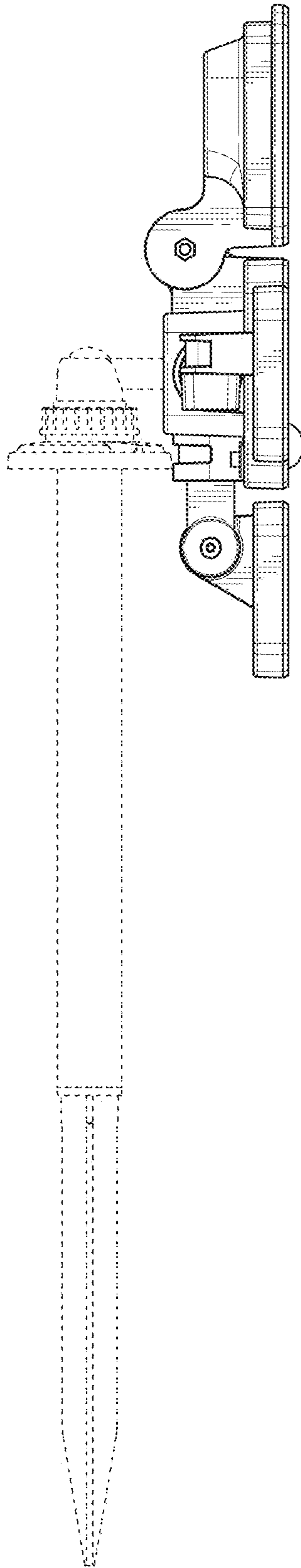


FIG. 5

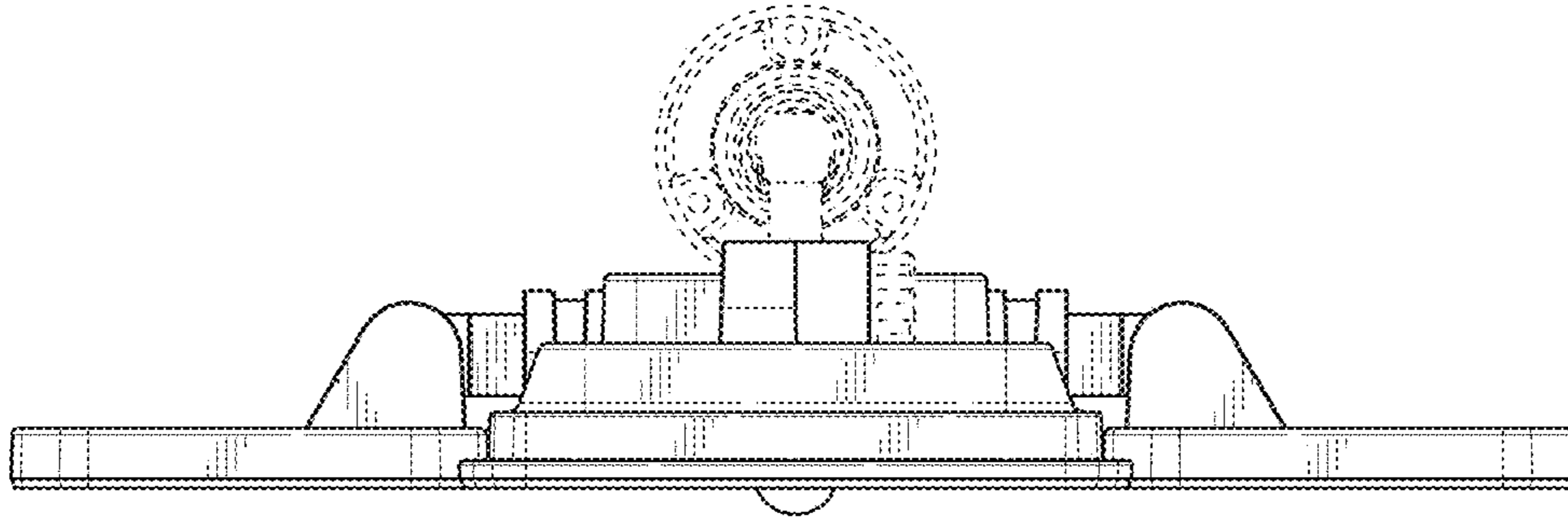


FIG. 6

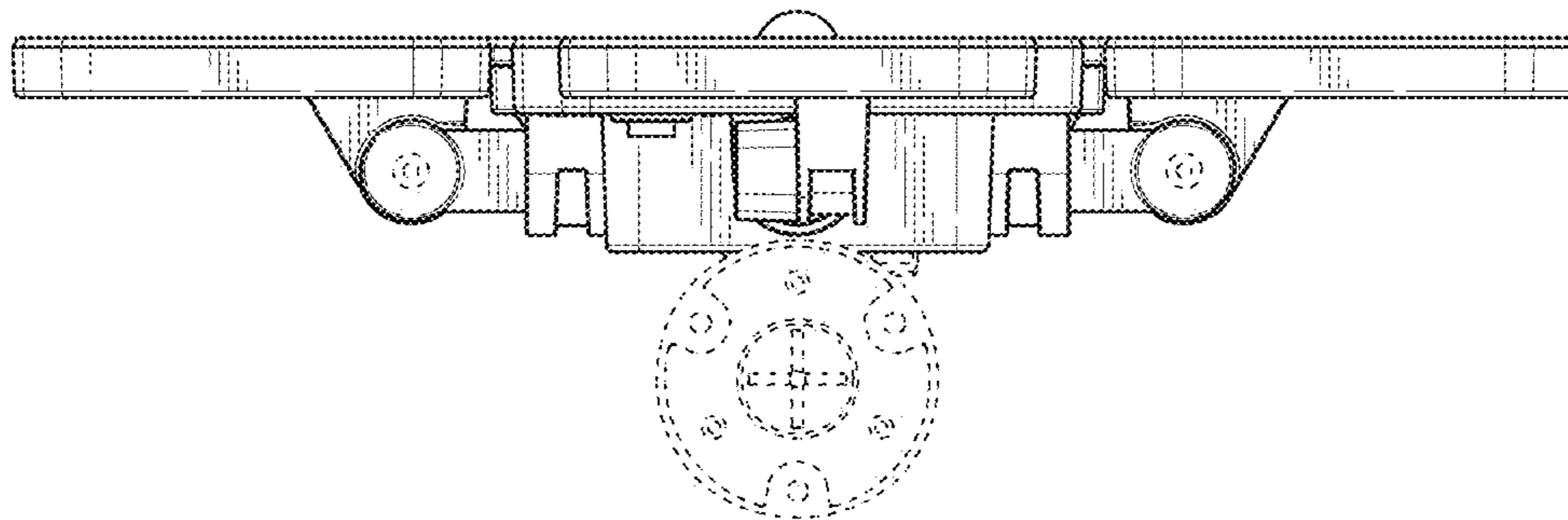


FIG. 7