



US00D954323S

(12) **United States Design Patent**
Rajasekaran

(10) **Patent No.:** **US D954,323 S**
(45) **Date of Patent:** **** Jun. 7, 2022**

(54) **LAMP**

- (71) Applicant: **E. MISHAN & SONS, INC.**, New York, NY (US)
- (72) Inventor: **Mohan Rajasekaran**, Watertown, CT (US)
- (73) Assignee: **E. Mishan & Sons, Inc.**, New York, NY (US)
- (**) Term: **15 Years**

(21) Appl. No.: **29/785,158**

(22) Filed: **May 24, 2021**

(51) **LOC (13) Cl.** **26-05**

(52) **U.S. Cl.**
USPC **D26/63**

(58) **Field of Classification Search**
USPC D26/1, 2, 24, 61, 63, 64, 65, 66, 72, 93,
D26/104

CPC F21L 2/00; F21L 4/00; F21L 4/02; F21L 4/025; F21L 4/027; F21L 14/00; F21S 2/00; F21S 8/03; F21S 8/033; F21S 8/035; F21S 6/00; F21S 6/002; F21S 6/004; F21S 8/036; F21S 8/037; F21S 9/00; F21S 9/02; F21V 21/10; F21V 21/108; F21W 2121/008

See application file for complete search history.

(56) **References Cited**

U.S. PATENT DOCUMENTS

- D566,861 S * 4/2008 Takada D26/1
- D578,696 S 10/2008 Wang
- D642,316 S * 7/2011 Zheng D26/2
- 7,980,738 B2 7/2011 Chiang
- 8,047,682 B2 11/2011 Zheng

(Continued)

FOREIGN PATENT DOCUMENTS

- CN 306917582 * 11/2021
- EM 002546861-0001 9/2014

(Continued)

OTHER PUBLICATIONS

Amazon, "On'h LED Garage Lights", first available Oct. 28, 2019. (<https://www.amazon.com/Deformable-Adjustable-Daylight-Workshop-Warehouse/dp/B07ZPZH8JQ>) (Year: 2019).*

(Continued)

Primary Examiner — Lauren D McVey
Assistant Examiner — Justin A Johnson

(74) *Attorney, Agent, or Firm* — Notaro, Michalos & Zaccaria P.C.

(57) **CLAIM**

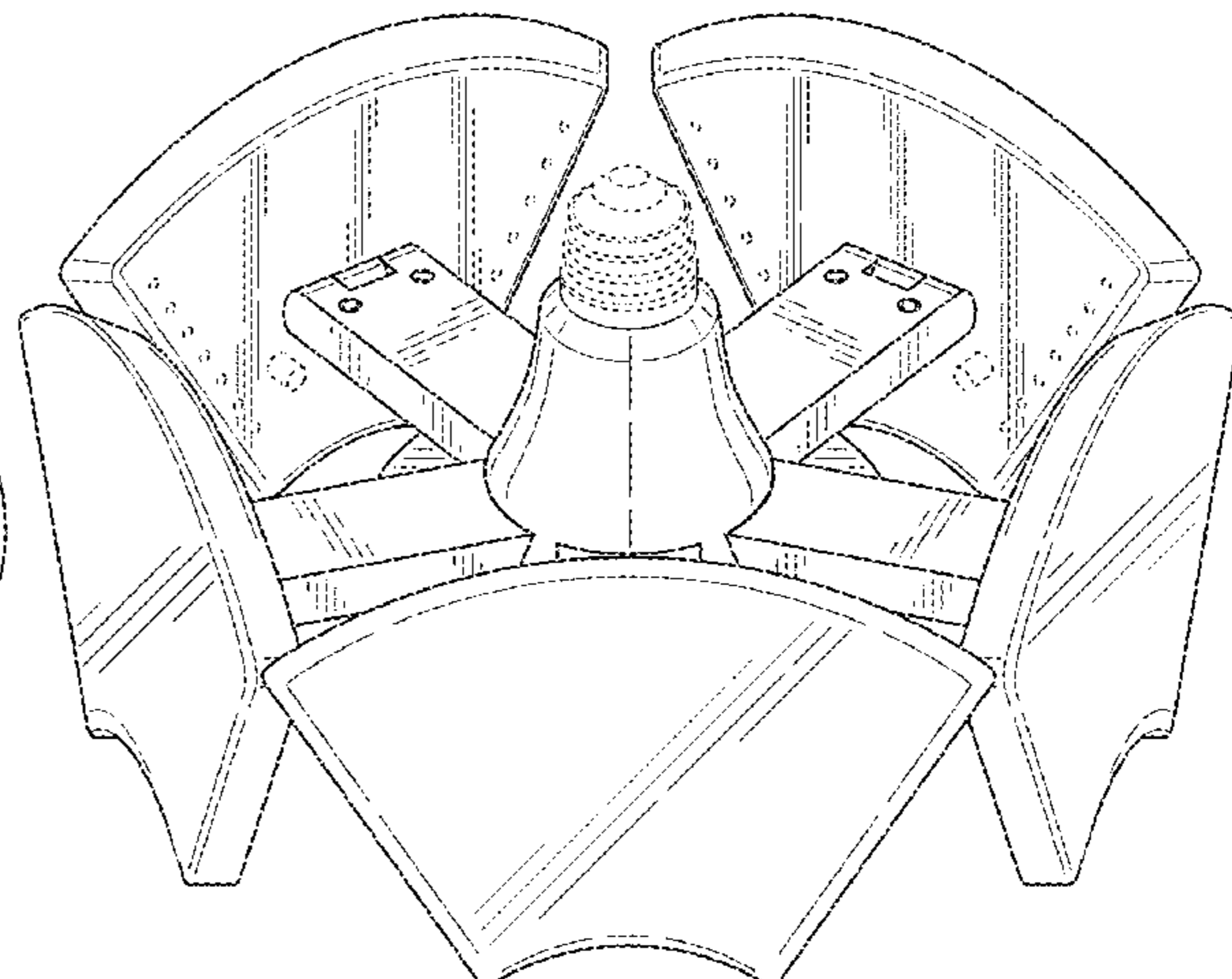
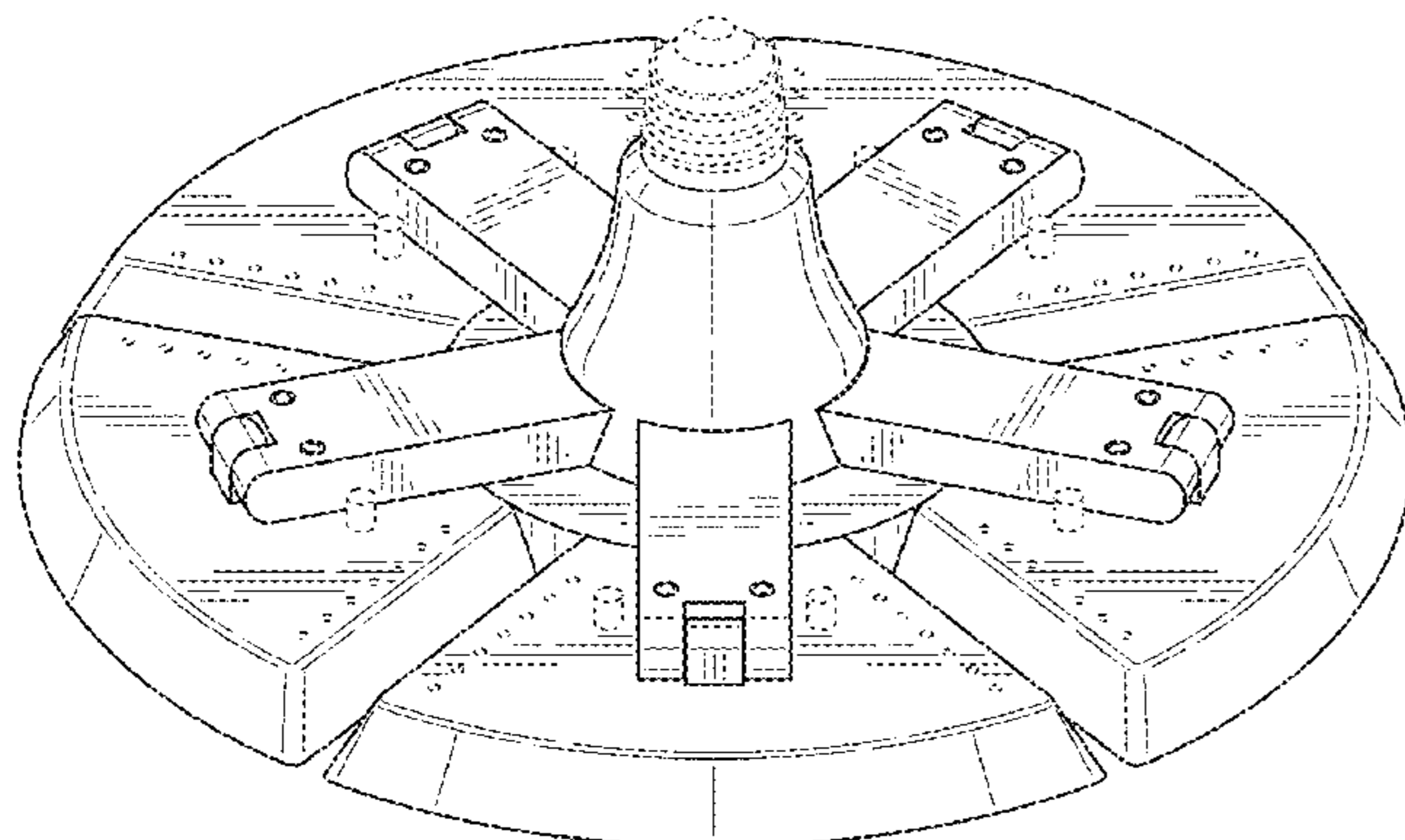
The ornamental design for a lamp, as shown and described.

DESCRIPTION

FIG. 1 is a top perspective view of a lamp showing my design in an unfolded configuration;
 FIG. 2 is a front view thereof;
 FIG. 3 is a rear view thereof;
 FIG. 4 is a left view thereof;
 FIG. 5 is a right view thereof;
 FIG. 6 is a top view thereof;
 FIG. 7 is a bottom view thereof.
 FIG. 8 is a top perspective view of the same lamp showing my design in a folded configuration;
 FIG. 9 is a front view thereof;
 FIG. 10 is a rear view thereof;
 FIG. 11 is a left view thereof;
 FIG. 12 is a right view thereof;
 FIG. 13 is a top view thereof; and,
 FIG. 14 is a bottom view thereof.

The broken lines immediately adjacent to the shaded areas depict the bounds of the claimed design, while all other broken lines depict portions of the article that form no part of the claimed design.

1 Claim, 14 Drawing Sheets



(56)

References Cited

U.S. PATENT DOCUMENTS

8,092,047 B2 1/2012 Ma
 D701,330 S 3/2014 Leahy
 D738,543 S 9/2015 Xu
 D743,061 S * 11/2015 Liu D26/2
 D776,836 S 1/2017 Tang
 D839,469 S * 1/2019 Deng D26/88
 10,274,172 B1 4/2019 Chiu
 D861,926 S 10/2019 Lin
 D868,301 S * 11/2019 Zhang D26/2
 D870,943 S 12/2019 Kuang
 D879,334 S 3/2020 Lin
 D879,335 S 3/2020 Lin
 D880,733 S * 4/2020 Lo D26/1
 D881,421 S 4/2020 Yin
 D882,851 S 4/2020 Deng
 D882,127 S 5/2020 Cao
 D883,550 S 5/2020 Deng
 D884,244 S 5/2020 Wang
 D884,952 S 5/2020 Cao
 D885,629 S 5/2020 Liu
 D885,630 S 6/2020 Lin
 D886,353 S 6/2020 Du
 D887,610 S 6/2020 Wei
 D889,015 S 6/2020 Li
 D890,397 S 7/2020 Liu
 D890,404 S 7/2020 Lin
 D894,434 S 8/2020 Lan
 D895,170 S 9/2020 Zhang
 D907,832 S 1/2021 Gong
 D908,941 S * 1/2021 Cai D26/63
 D916,347 S * 4/2021 Liu D26/2
 D917,736 S * 4/2021 Zeng D26/2
 D918,454 S * 5/2021 Liu D26/2
 D919,870 S * 5/2021 Li D26/63

D925,086 S * 7/2021 Ma D26/2
 D938,625 S * 12/2021 Luo D26/2
 2011/0170288 A1 6/2011 Kim
 2017/0299151 A1 10/2017 Luo

FOREIGN PATENT DOCUMENTS

EM 005589512-0003 9/2018
 EM 005589512-0004 9/2018
 EM 006392510-0001 4/2019
 EM 006401105-0001 4/2019
 EM 006505707-0001 5/2019
 EM 006892816-0001 9/2019
 EM 006988671-0001 10/2019
 EM 008162598-0001 10/2019
 EM 007934161-0001 11/2019
 EM 008003669-0001 11/2019
 EM 007998208-0001 5/2020
 EM 007170113-0001 6/2020
 EM 007193750-0001 6/2020
 EM 008130785-0001 8/2020
 EM 006988671-0002 9/2020
 EM 008162598-0001 9/2020
 EM 008389415-0001 1/2021

OTHER PUBLICATIONS

Amazon, "Kernowo LED Garage Lights", first available Jul. 13, 2020. (<https://www.amazon.com/dp/B0897JC95G/?th=1>) (Year: 2020).*
 Amazon, "Westontech LED Garage Light", first available Dec. 16, 2021. (<https://www.amazon.com/dp/B09NPRZW17/?th=1>) (Year: 2021).*
 Amazon, "2-Pack LED Garage Light", first available Jan. 14, 2022. (<https://www.amazon.com/dp/B09P86DTR7/?th=1>) (Year: 2022).*

* cited by examiner

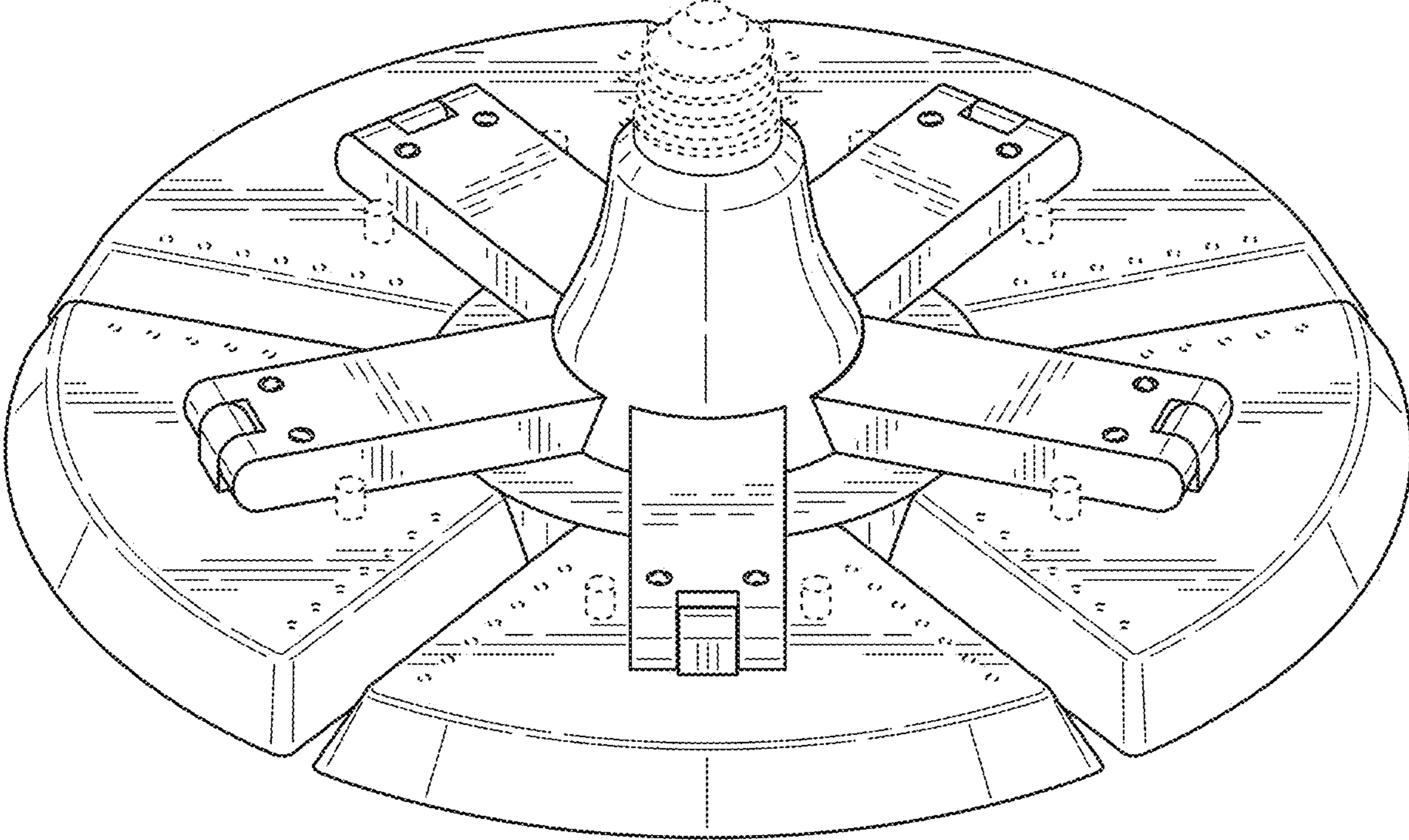


FIG. 1

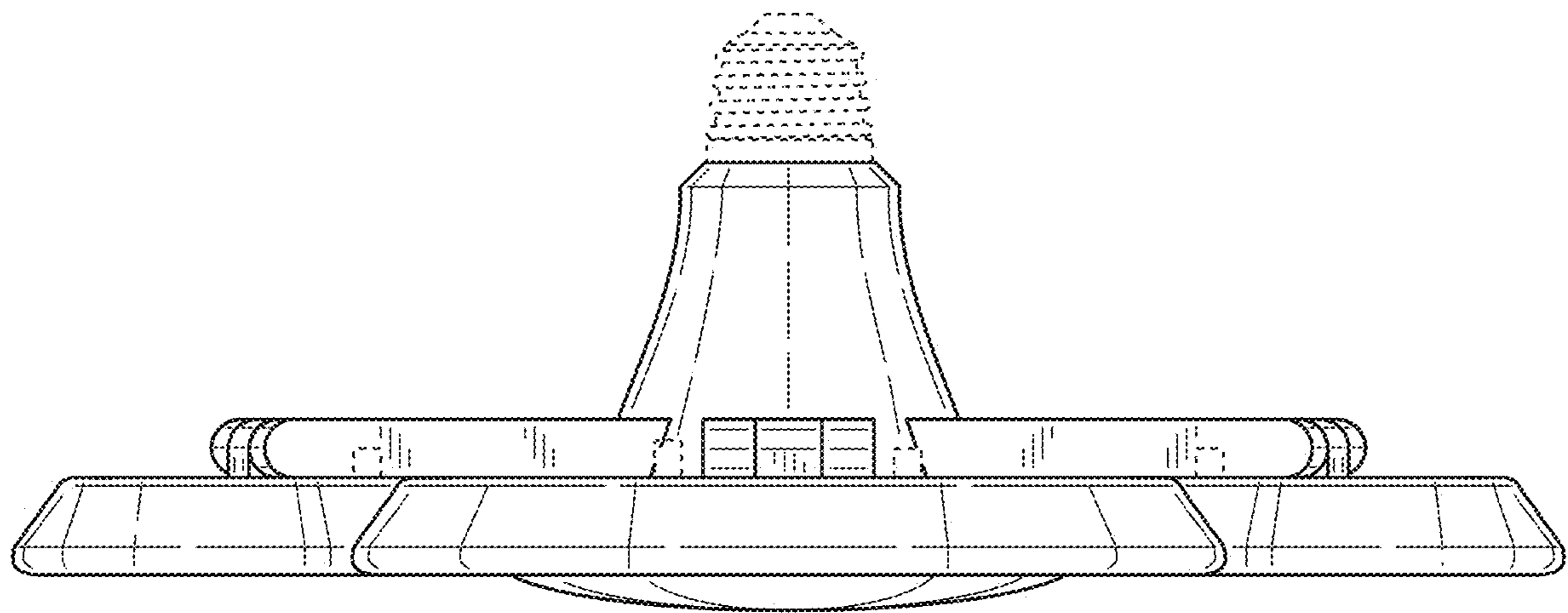


FIG. 2

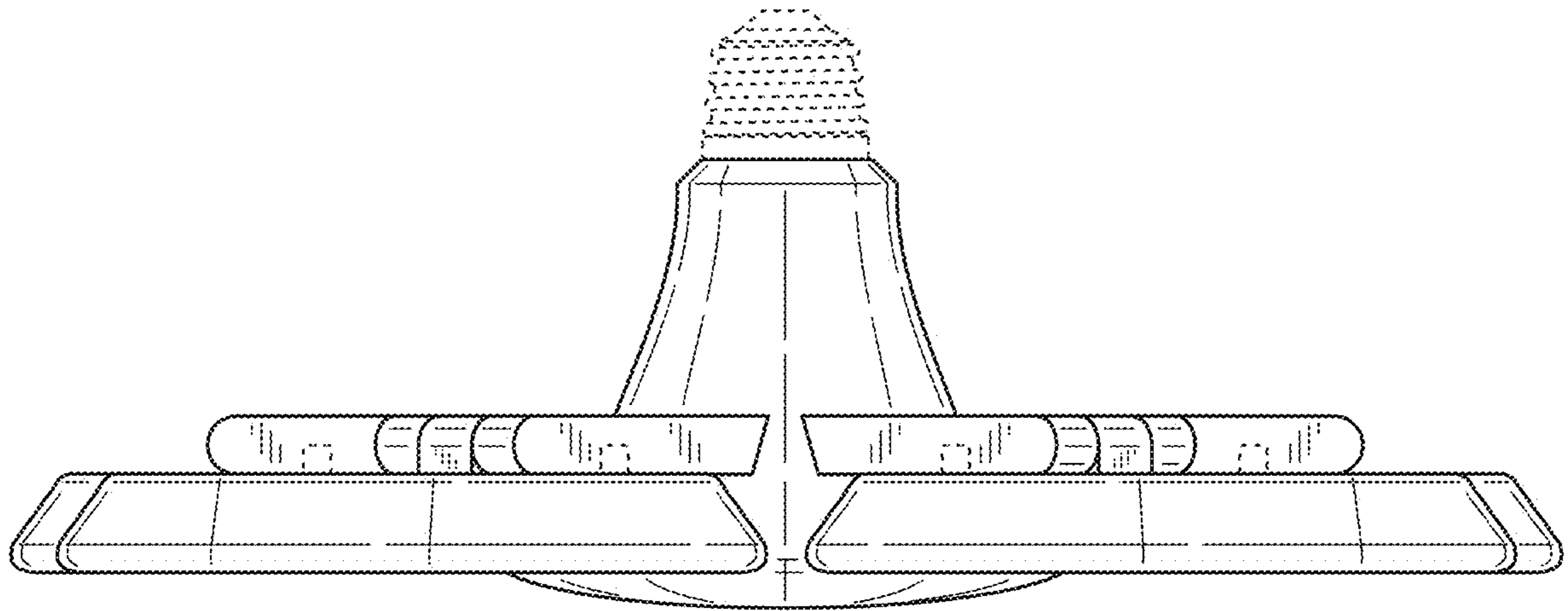


FIG. 3

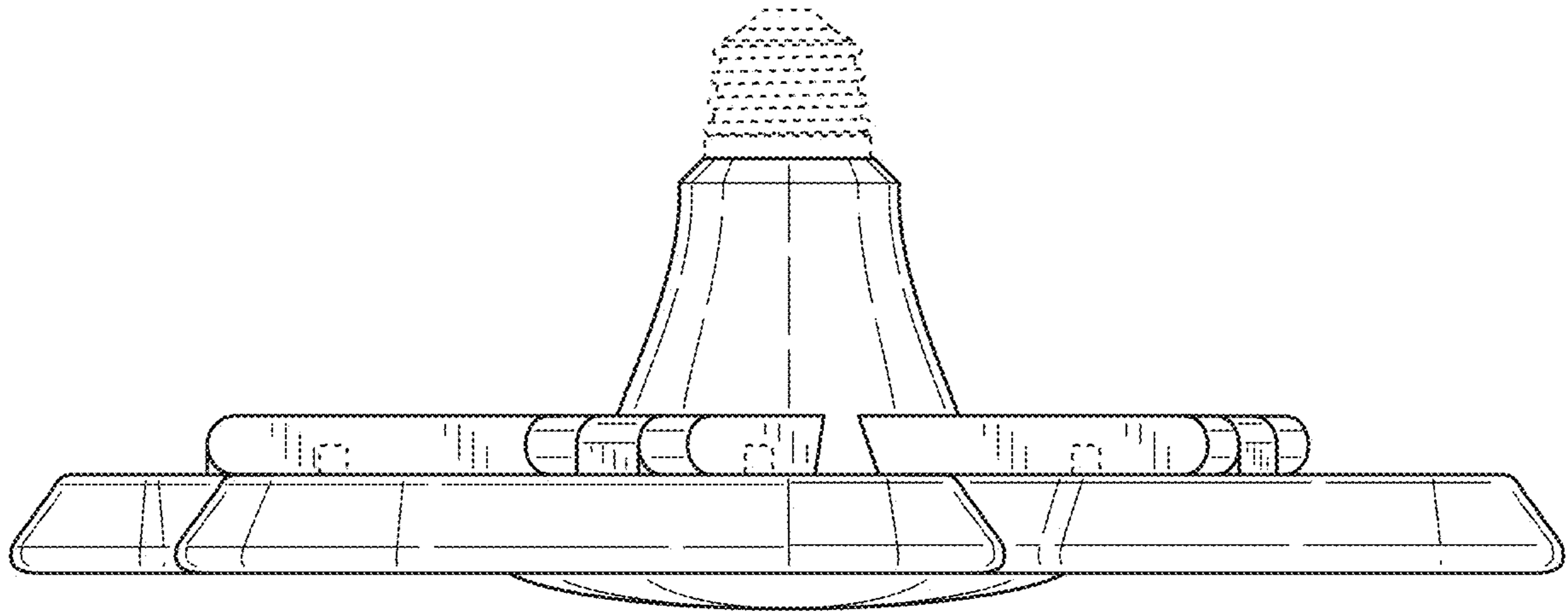


FIG. 4

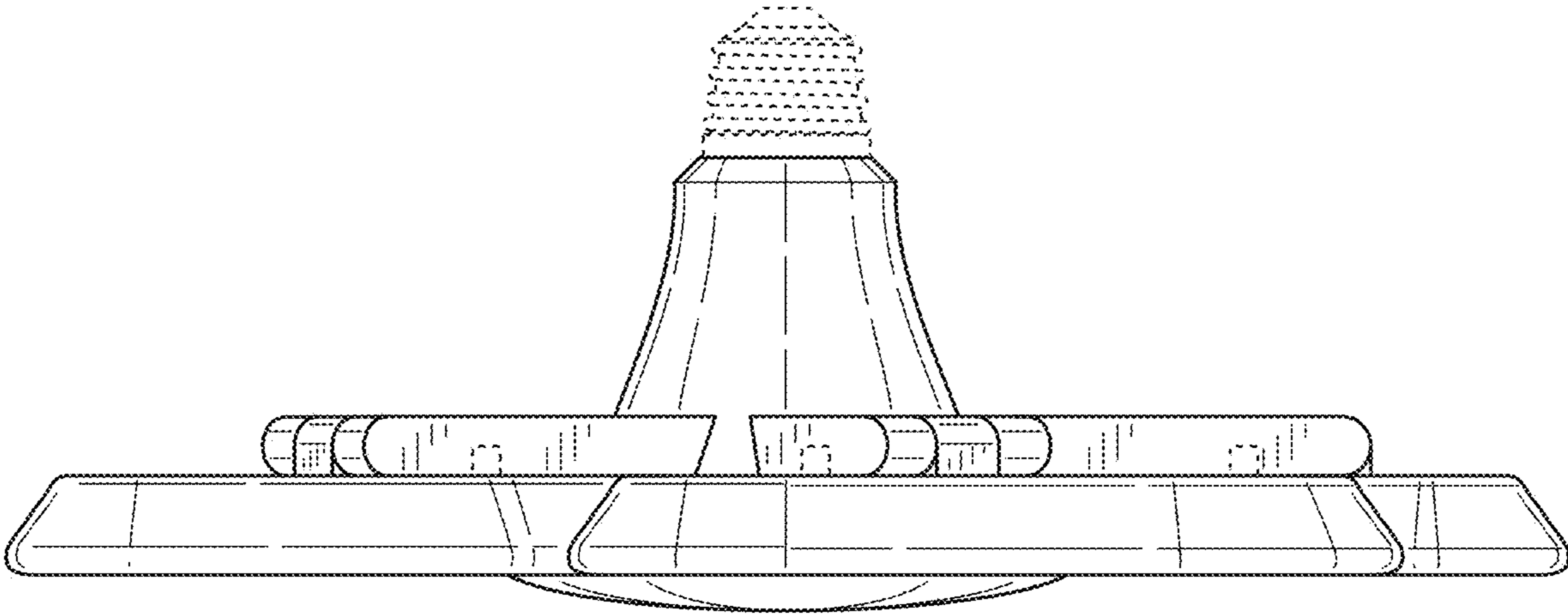


FIG. 5

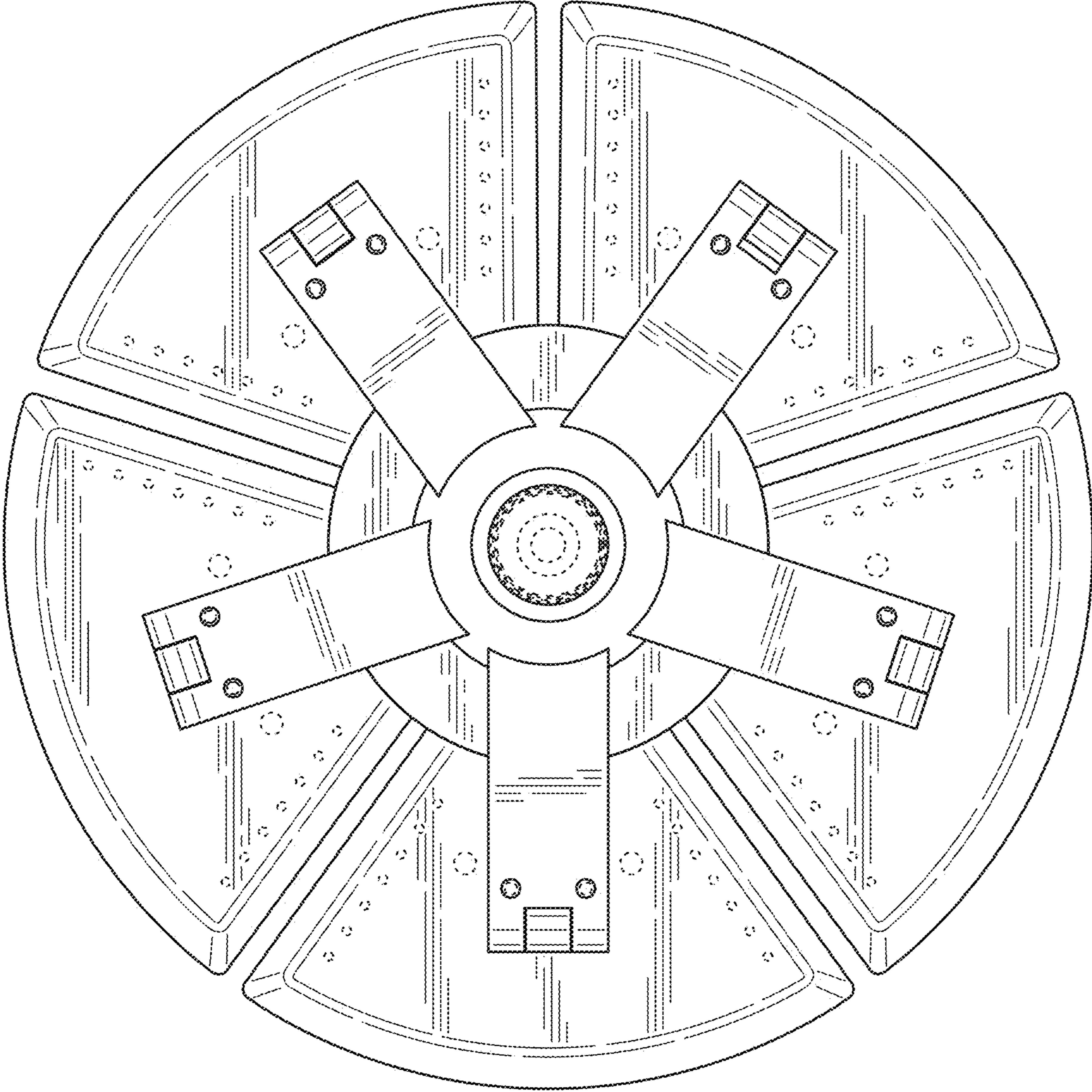


FIG. 6

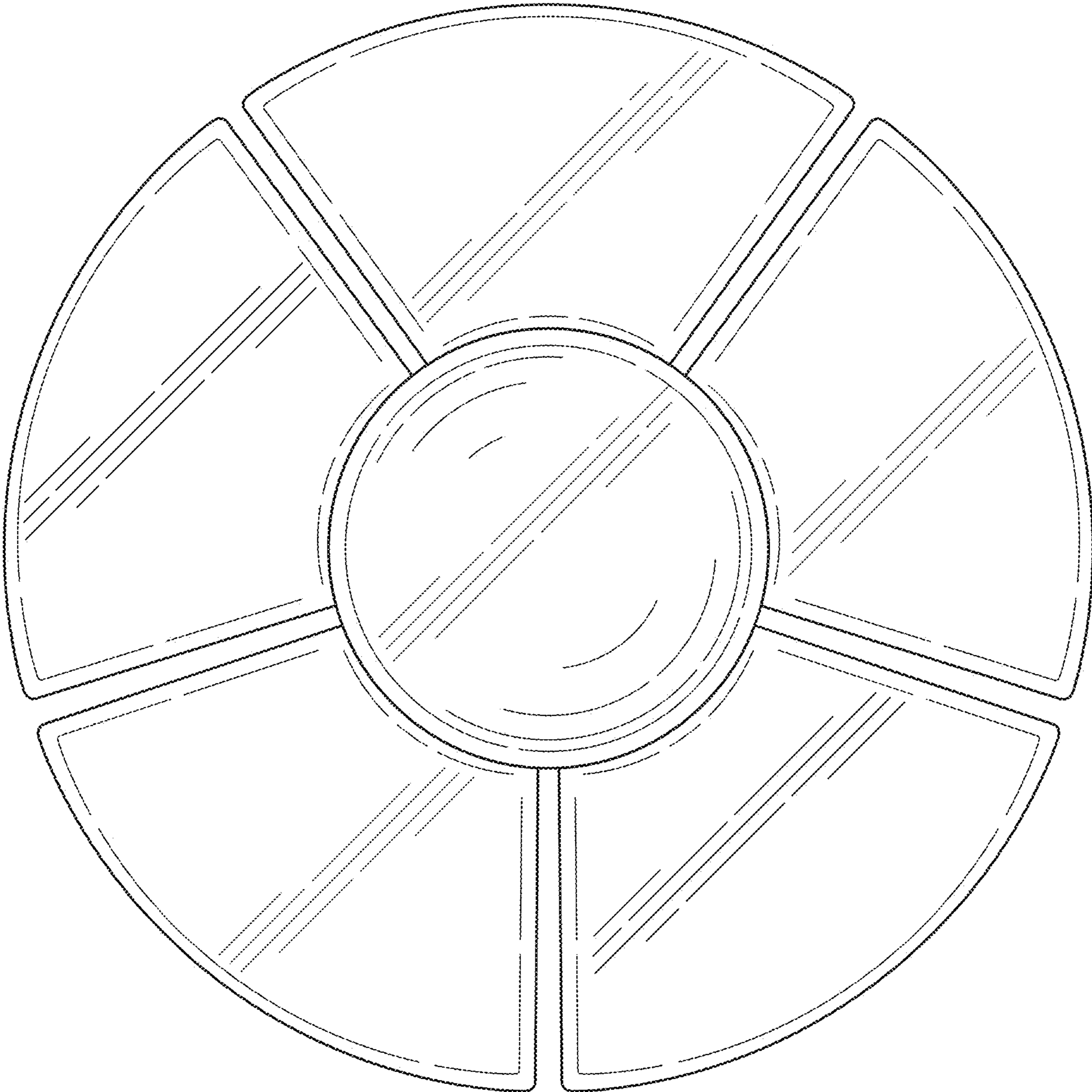


FIG. 7

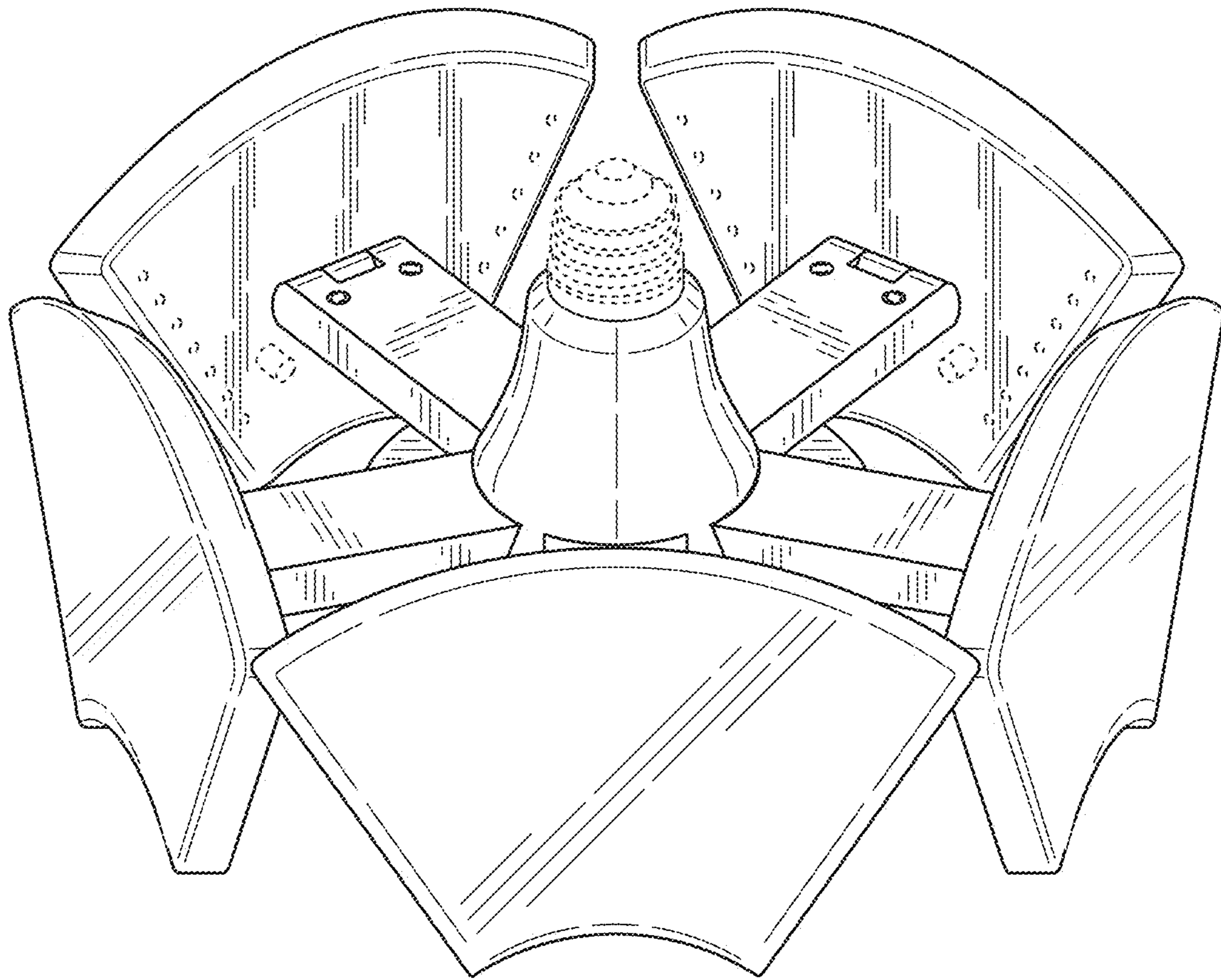


FIG. 8

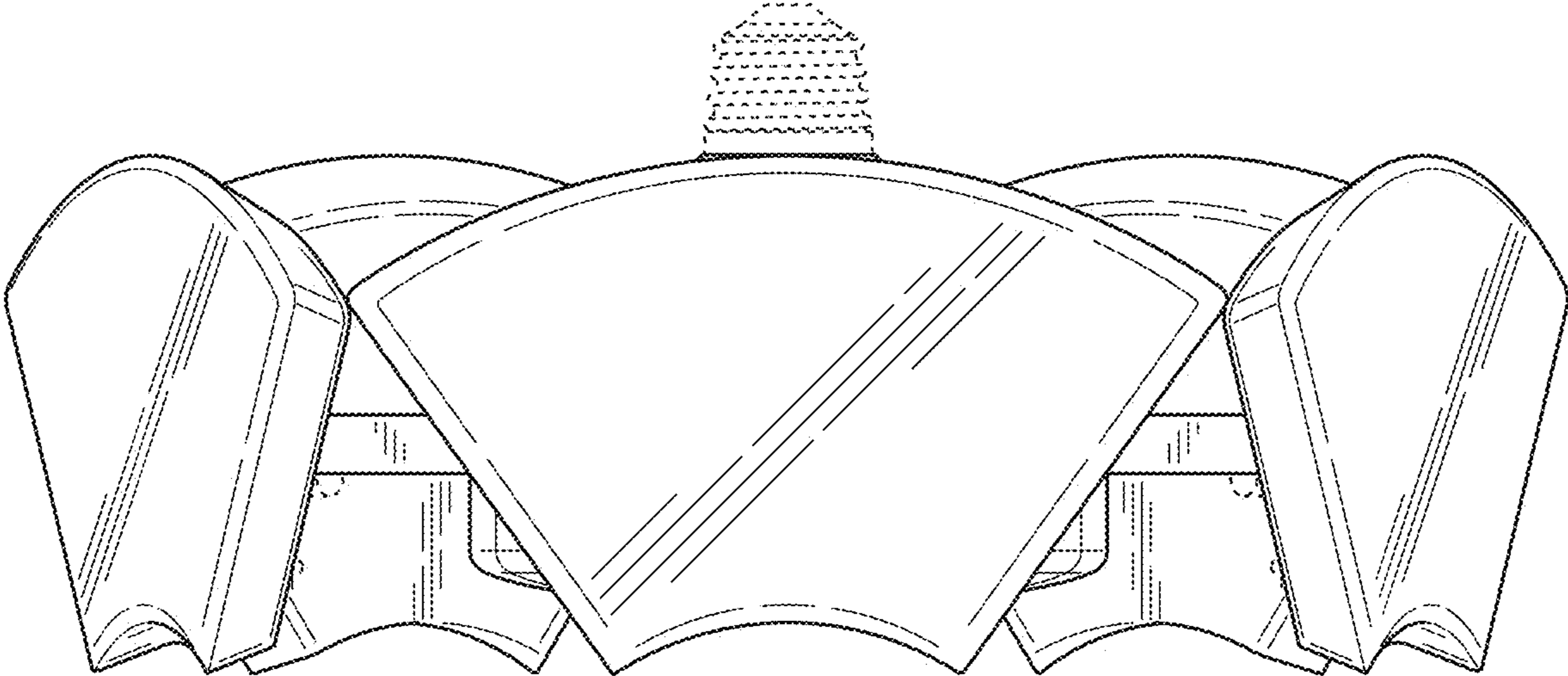


FIG. 9

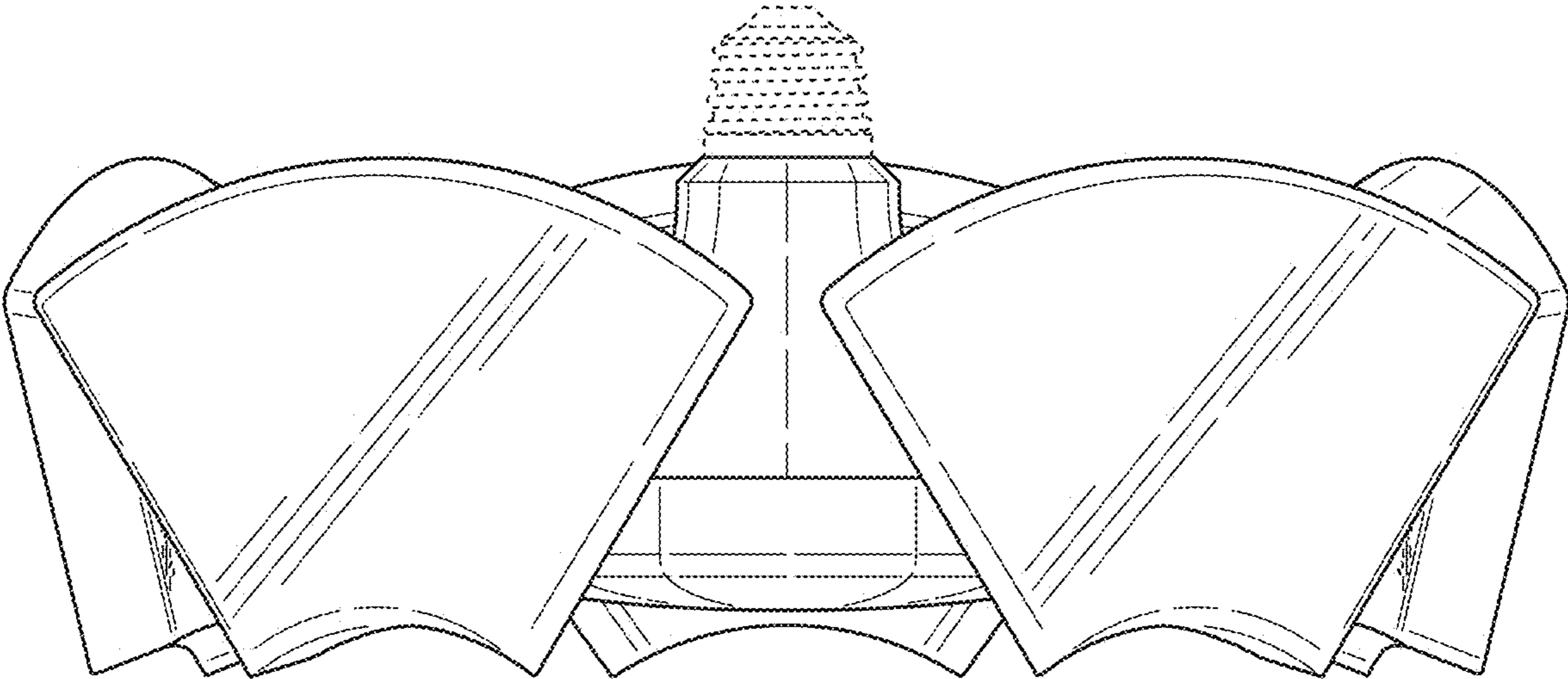


FIG. 10

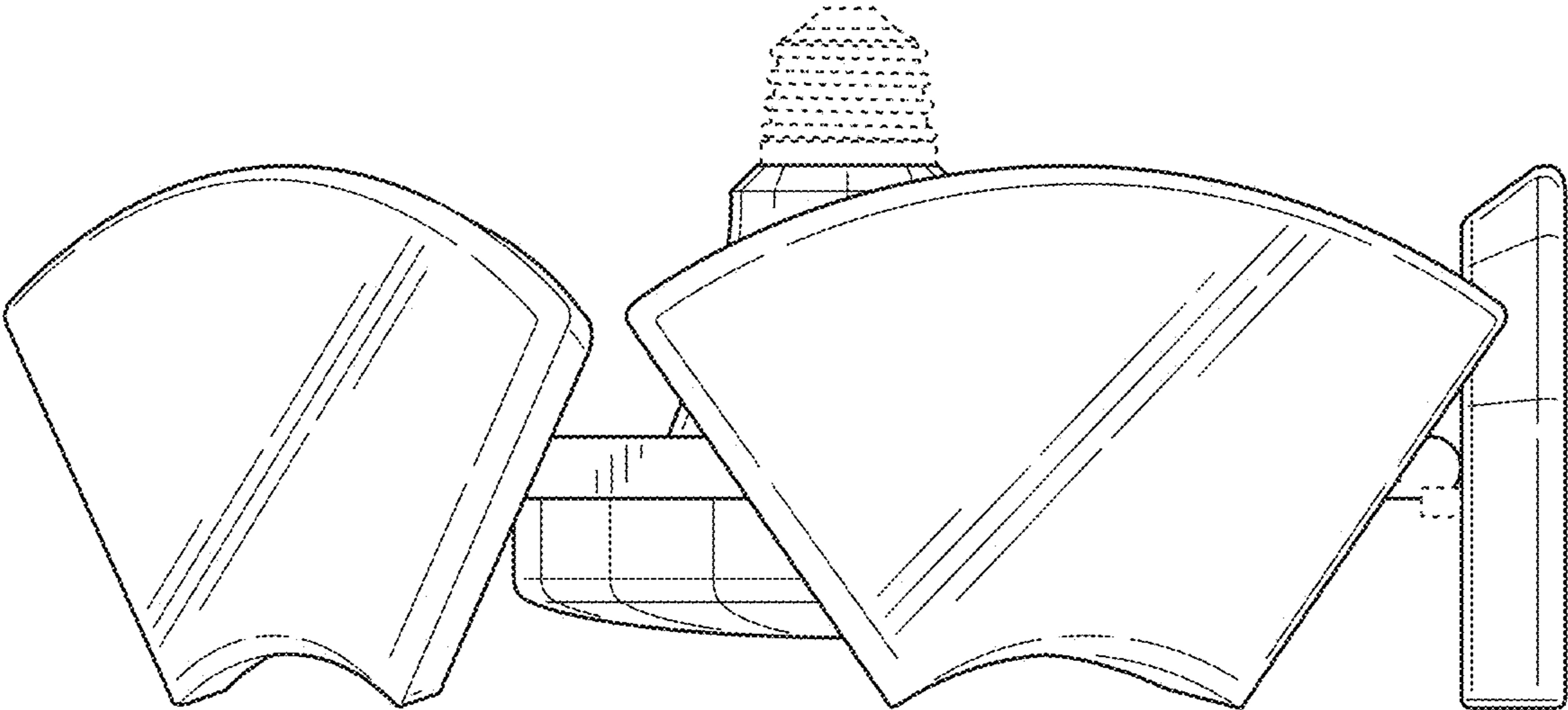


FIG. 11

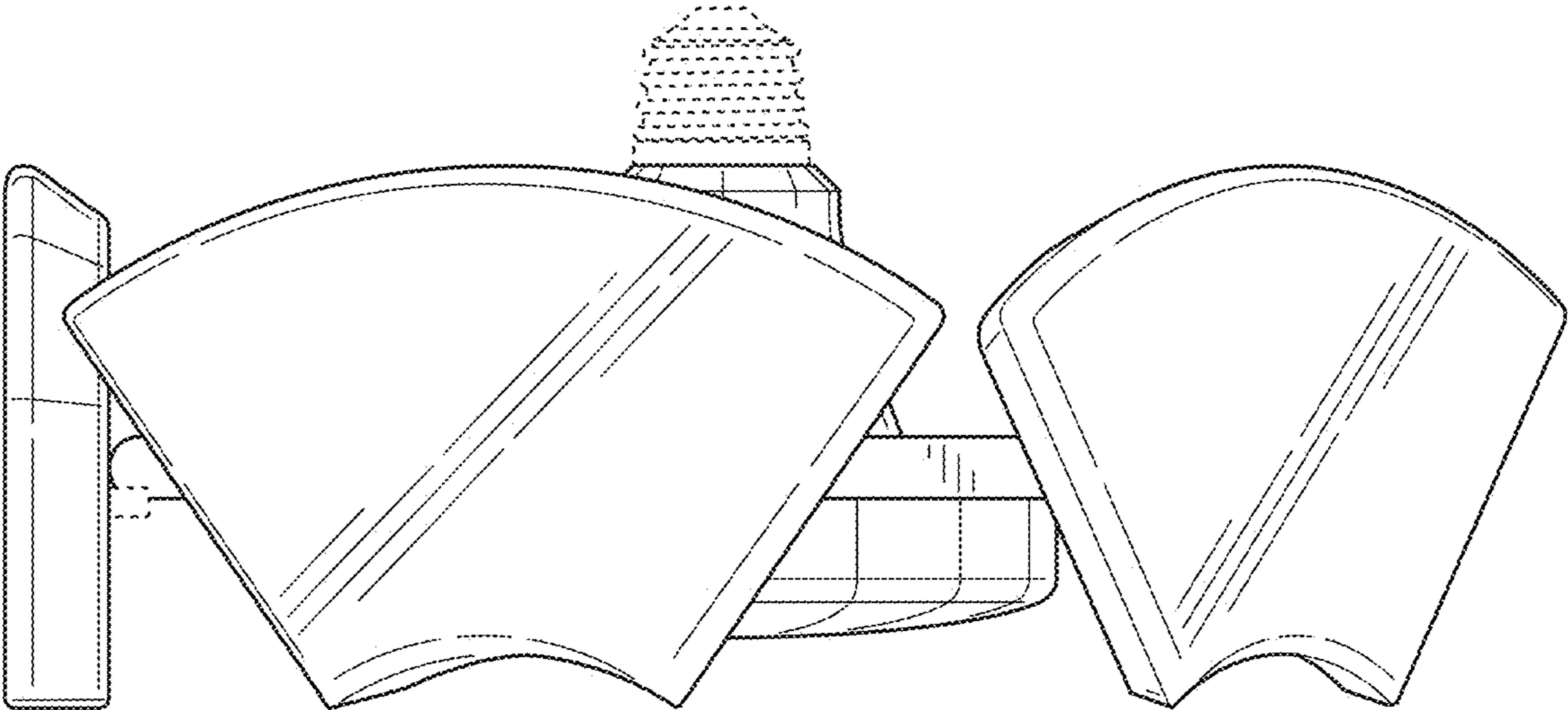


FIG. 12

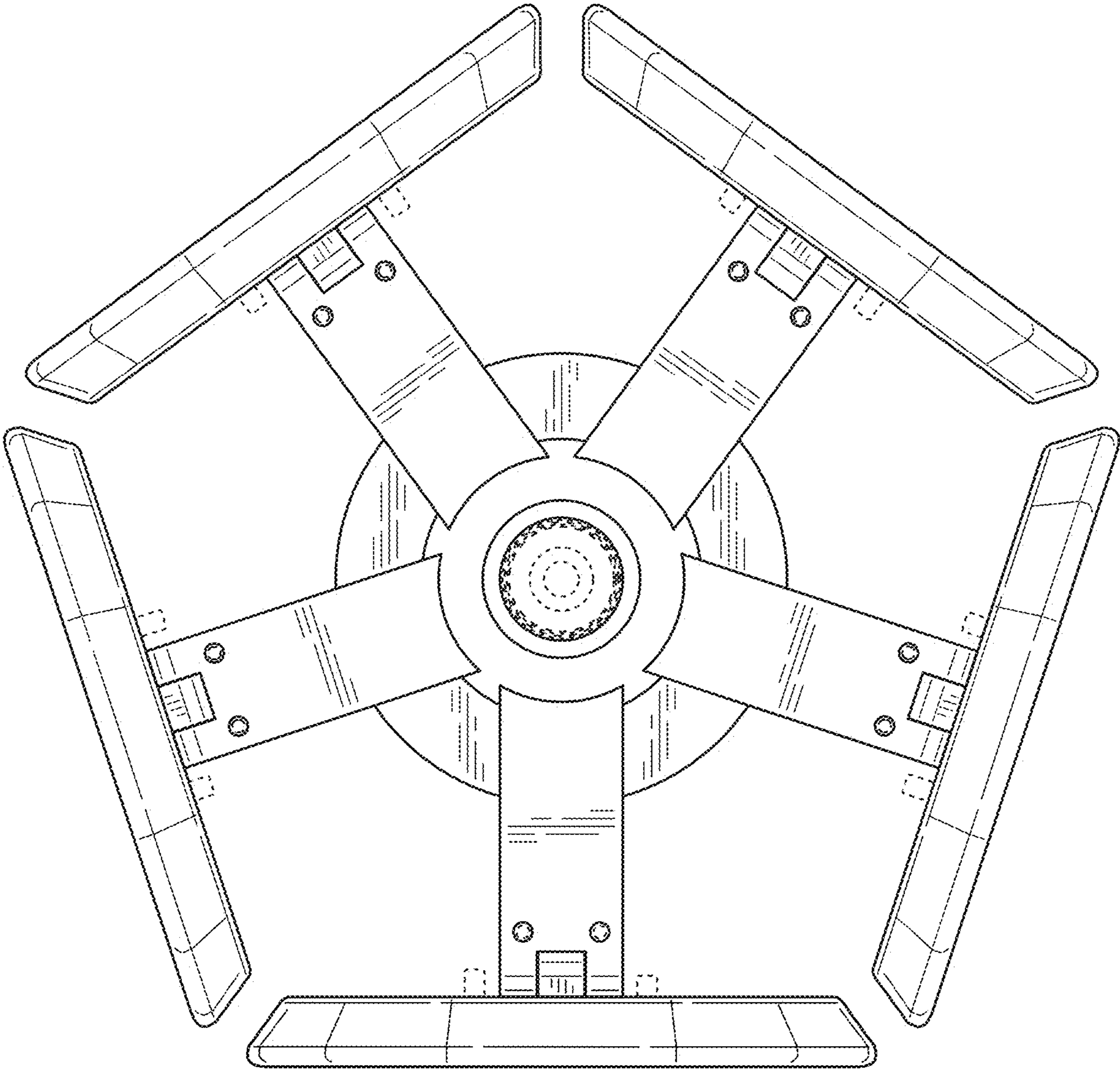


FIG. 13

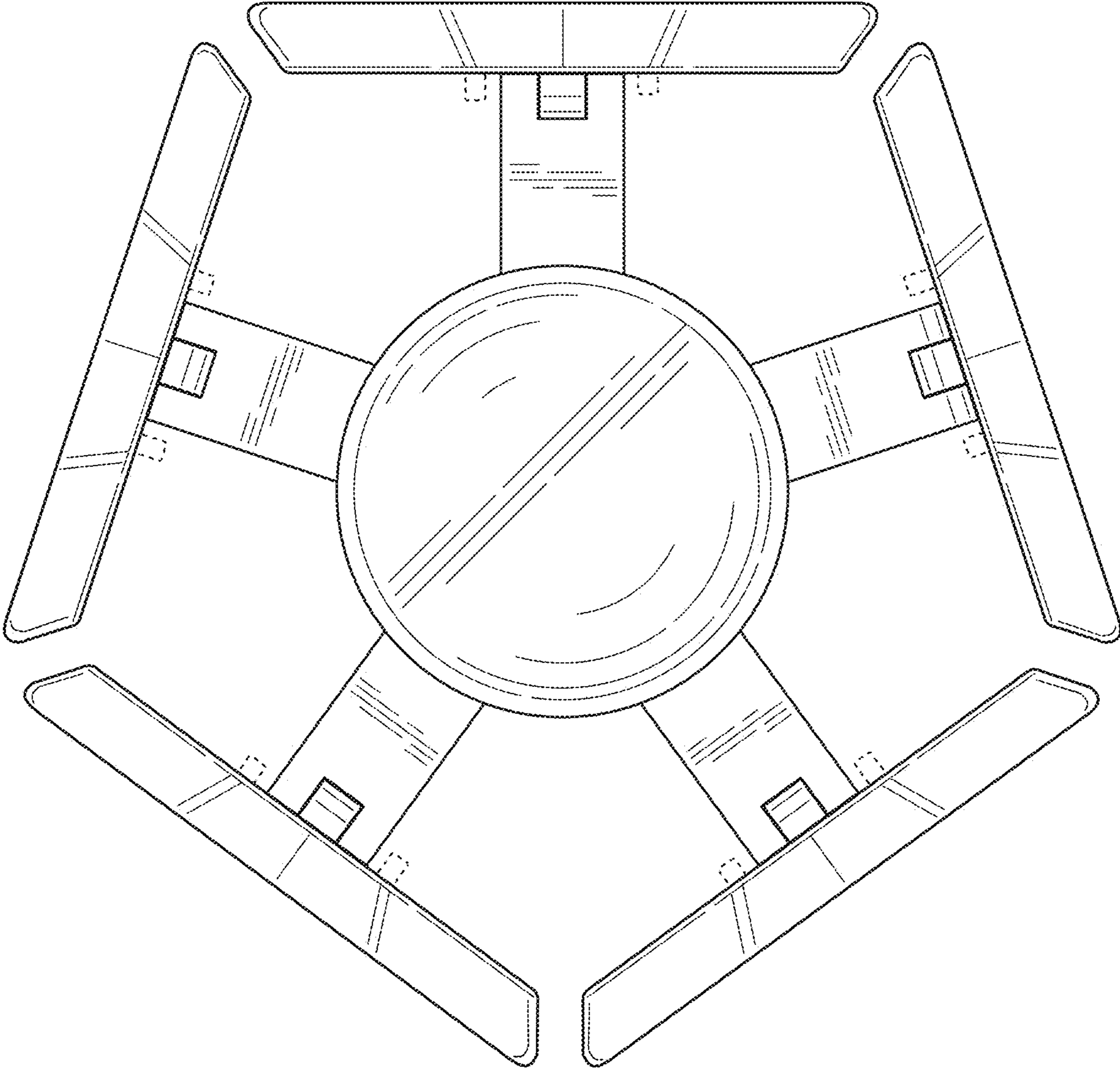


FIG. 14