



US00D954322S

(12) **United States Design Patent** (10) **Patent No.:** **US D954,322 S**
Lin (45) **Date of Patent:** **** Jun. 7, 2022**

(54) **CAMERA LIGHT**

(71) Applicant: **NINGBO HANWEN ELECTRIC CO., LTD.**, Ningbo (CN)

(72) Inventor: **Kaihong Lin**, Ningbo (CN)

(73) Assignee: **NINGBO HANWEN ELECTRIC CO., LTD.**, Ningbo (CN)

(**) Term: **15 Years**

(21) Appl. No.: **29/686,392**

(22) Filed: **Apr. 4, 2019**

(51) **LOC (13) Cl.** **26-05**

(52) **U.S. Cl.**
USPC **D26/63**; D26/51

(58) **Field of Classification Search**
USPC D26/24, 26, 28-29, 34, 37-38, 43-44, D26/51, 59-64, 66-68, 72, 74, 76, 85-86, D26/88-89, 91, 113, 118-120, 122-124, D26/138, 140-146

CPC F21Y 2115/10; F21Y 2105/10; F21Y 2105/18; F21Y 2113/10; F21Y 2113/13; F21V 17/02; F21V 23/0471; F21V 21/29; F21V 23/003; F21V 23/0464; F21V 21/28; F21V 33/0076; F21V 33/0096; F21V 5/04; F21V 19/003; F21V 21/116; F21V 21/26; F21V 23/0442; F21V 23/0478; F21V 29/70; F21V 33/0052; F21V 3/00; F21V 3/02; F21V 15/01; F21V 17/002; F21V 17/06; F21V 19/001; F21V 19/04; F21V 1/00; F21V 21/0824; F21V 21/088; F21V 21/15; F21V 21/22; F21V 23/001; F21V 23/007; F21V 23/008; F21V 23/02; F21V 23/0414; F21V 23/0435; F21V 23/06; F21V 29/505; F21V 29/74; F21V 29/76; F21V 31/00; F21V 33/006; F21V 3/049; F21V 5/045; F21V 7/0091; F21S 9/03; F21S 8/033; F21S 8/036; F21S 8/04; F21S 2/00; F21S 8/06; F21S 8/081; F21S 8/085; F21S 9/037

See application file for complete search history.

(56) **References Cited**

U.S. PATENT DOCUMENTS

D200,590 S * 3/1965 Steenhoven D26/24
D338,845 S * 8/1993 Rohrs D10/106.8
5,258,899 A * 11/1993 Chen F21S 8/033
362/394
5,649,761 A * 7/1997 Sandell F21V 23/0471
362/276
5,662,411 A * 9/1997 Haslam F21V 23/0442
362/276
D424,727 S * 5/2000 Greubel D10/104.1
D444,583 S * 7/2001 Boecker D10/104.1
D546,997 S * 7/2007 Monroe D26/51

(Continued)

FOREIGN PATENT DOCUMENTS

CN 201930527088 * 4/2020

Primary Examiner — Marissa J Cash
Assistant Examiner — William B Melliar

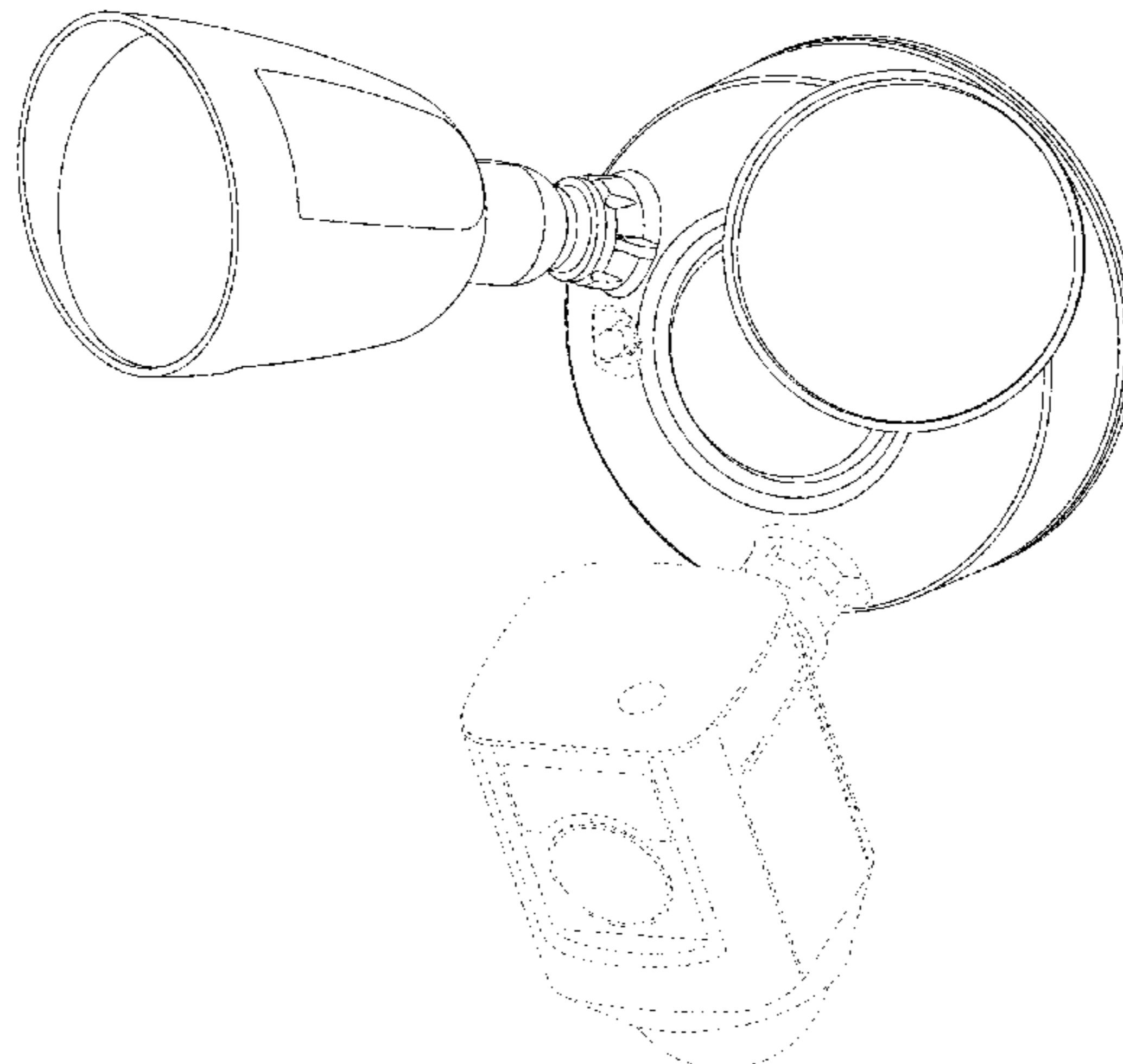
(57) **CLAIM**

The ornamental design for a camera light, as shown and described.

DESCRIPTION

FIG. 1 is a front view of camera light showing our new design;
FIG. 2 is a rear view thereof;
FIG. 3 is a right view thereof;
FIG. 4 is a left view thereof;
FIG. 5 is a bottom view thereof;
FIG. 6 is a top view thereof;
FIG. 7 is a perspective view thereof; and,
FIG. 8 is perspective view thereof, shown in an alternate configuration of use.
The broken lines in the drawings depict portions of the camera light that form no part of the claimed design.

1 Claim, 8 Drawing Sheets



(56)

References Cited

U.S. PATENT DOCUMENTS

D578,250	S	*	10/2008	Conroy	D26/138
D583,974	S	*	12/2008	Johnson	D26/61
D698,977	S	*	2/2014	McClellan	D26/81
D713,578	S	*	9/2014	Chen	D26/63
D713,581	S	*	9/2014	Chen	D26/63
D742,053	S	*	10/2015	Sussman	D26/63
D765,901	S	*	9/2016	Chen	D26/63
D831,268	S	*	10/2018	Johnson	D26/142
D846,791	S	*	4/2019	Liang	D26/113
D857,961	S	*	8/2019	Mai	D26/61
D878,656	S	*	3/2020	Recker	D26/63
D889,720	S	*	7/2020	Zhu	D26/63
D900,364	S	*	10/2020	Ford	D26/37
D901,052	S	*	11/2020	Lao	D26/51
D902,460	S	*	11/2020	Yi	D26/51
D914,946	S	*	3/2021	Siminoff	D26/63

* cited by examiner

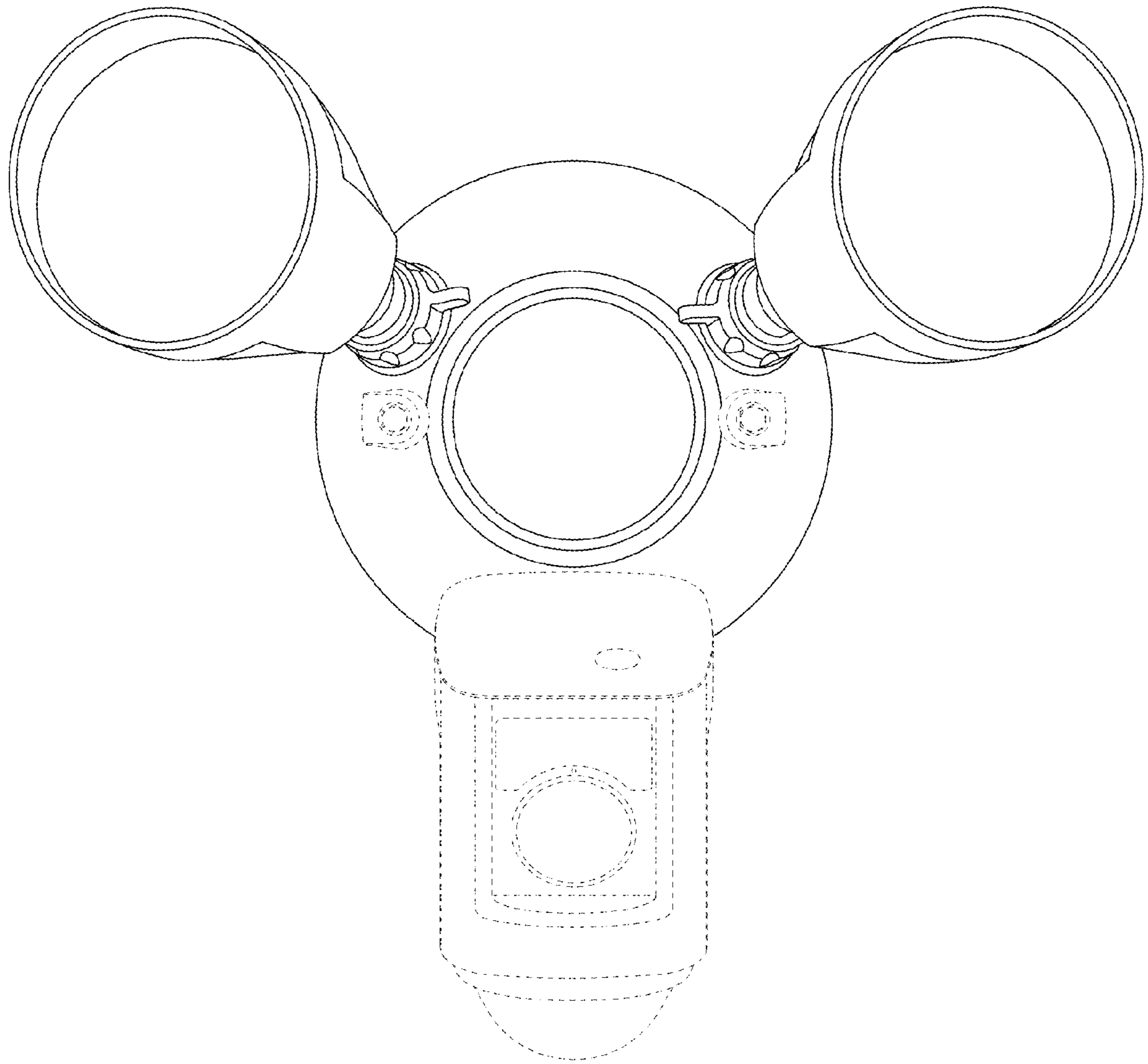


FIG. 1

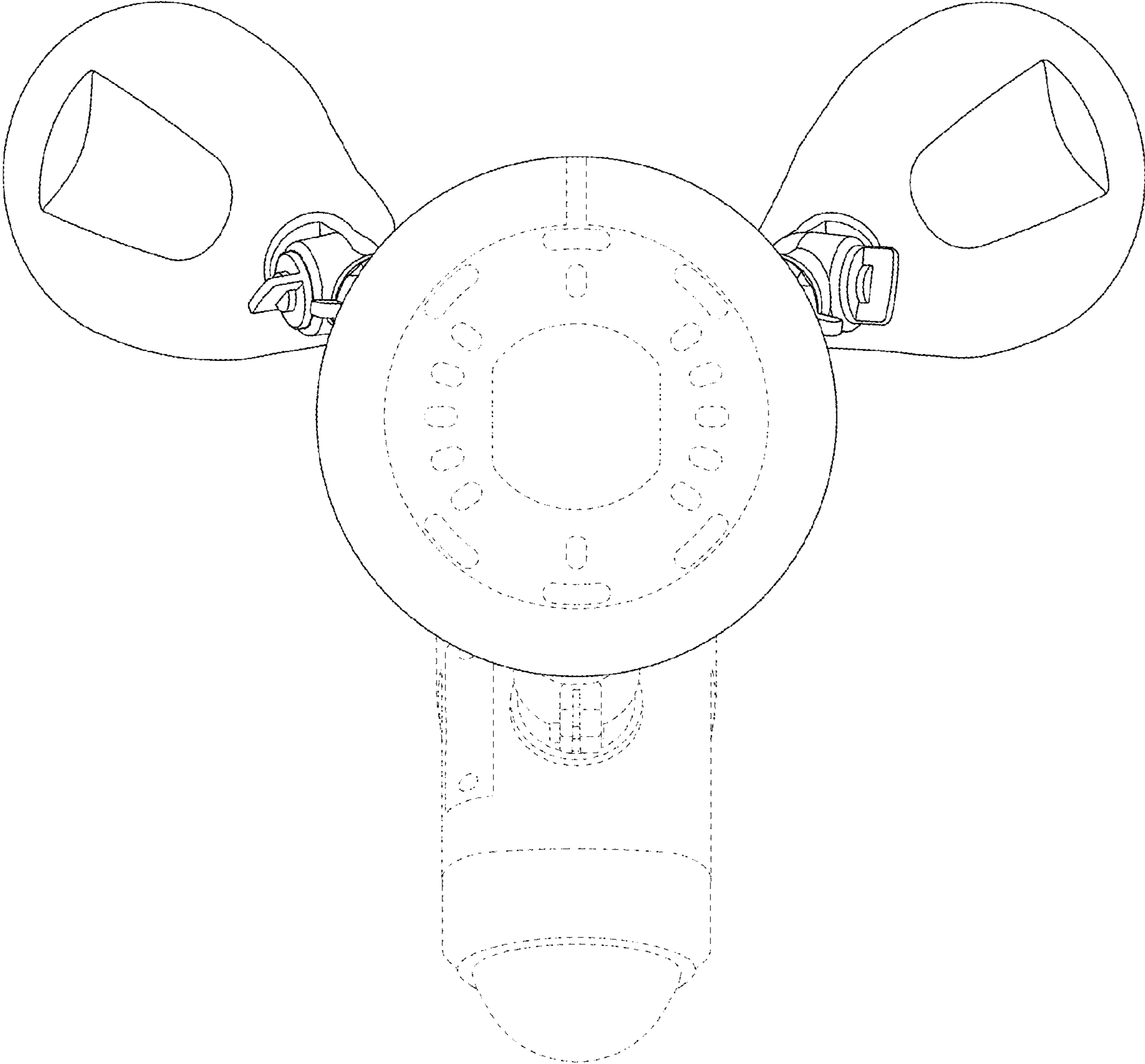


FIG. 2

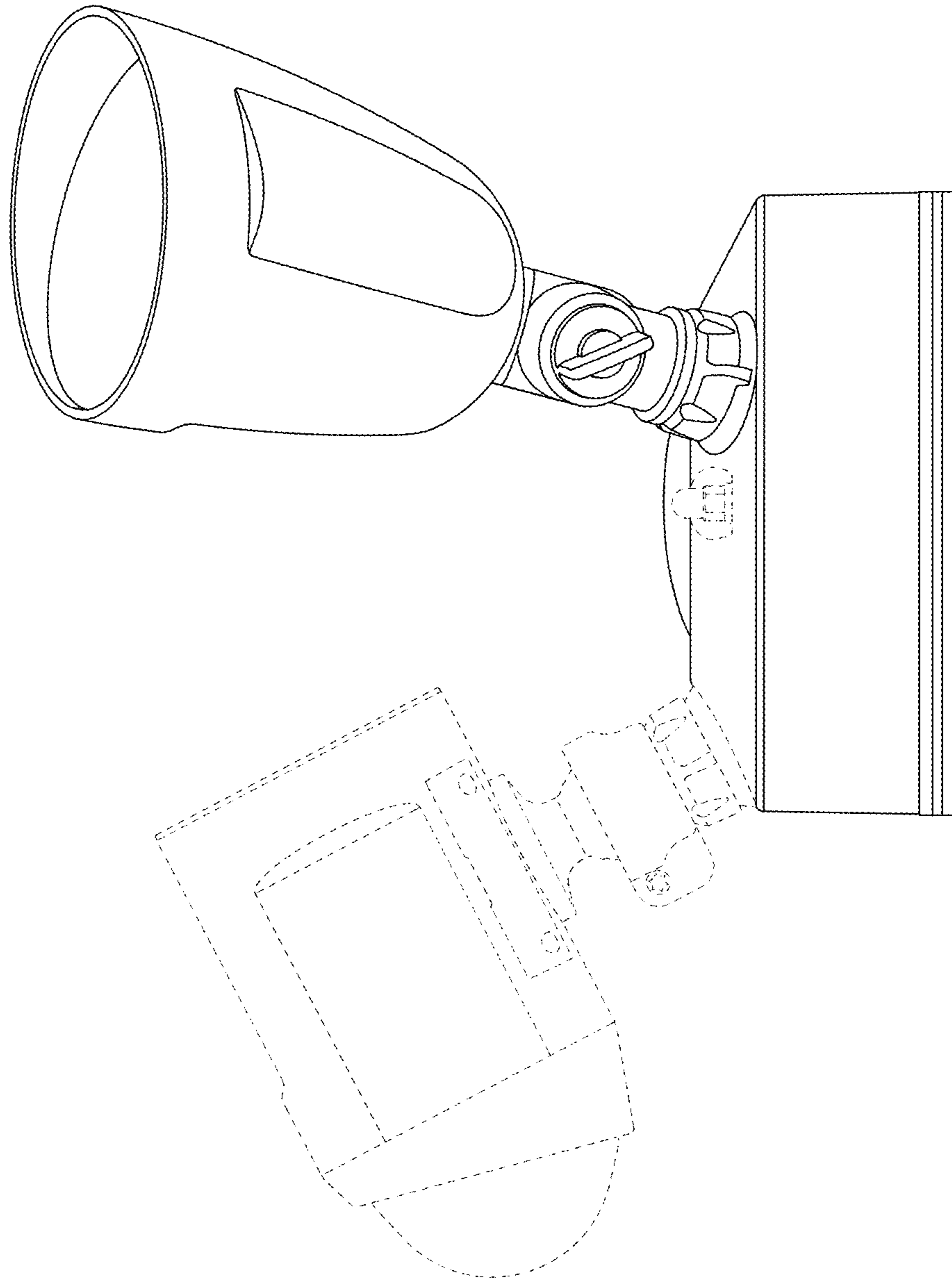


FIG. 3

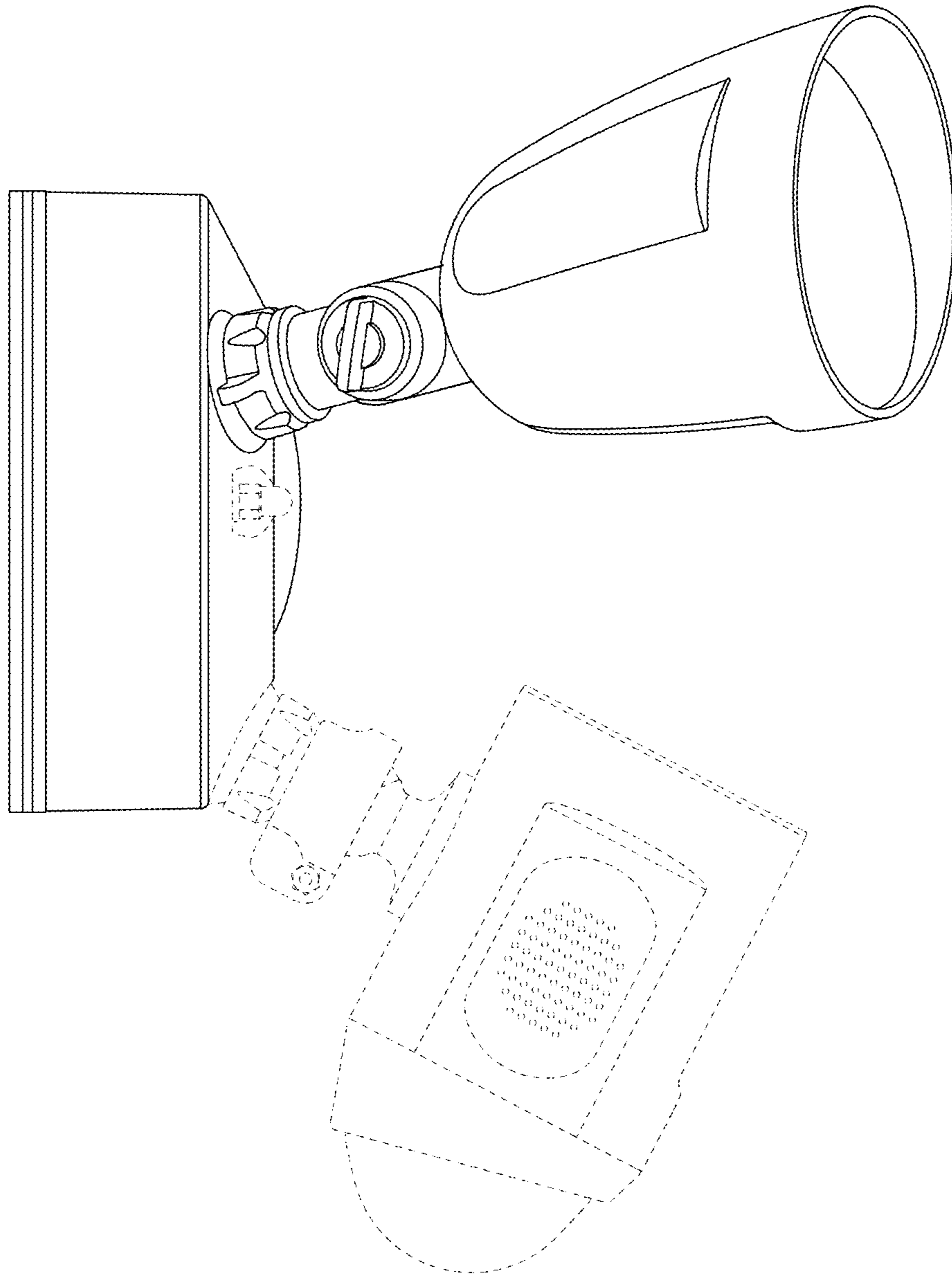


FIG. 4

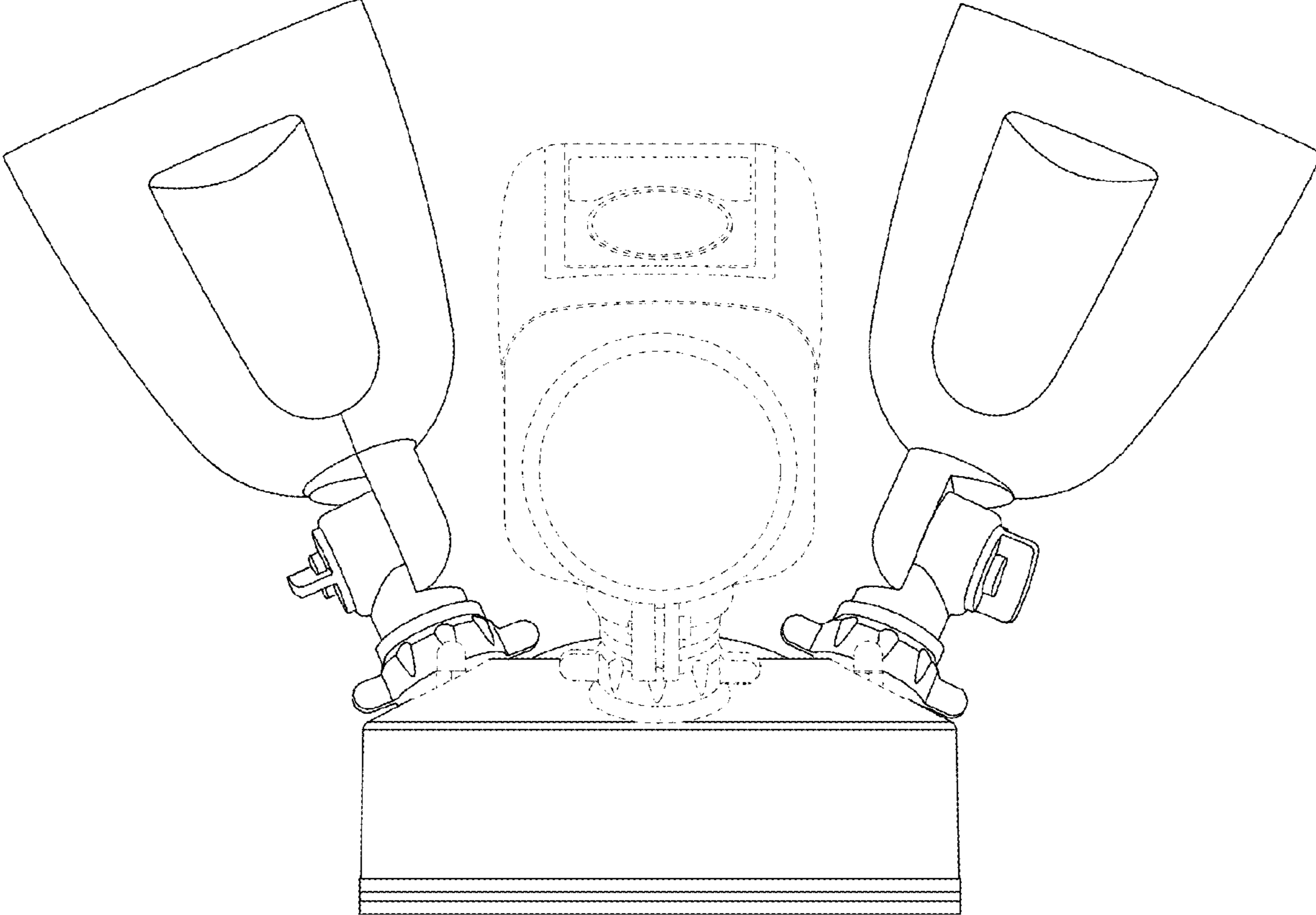


FIG. 5

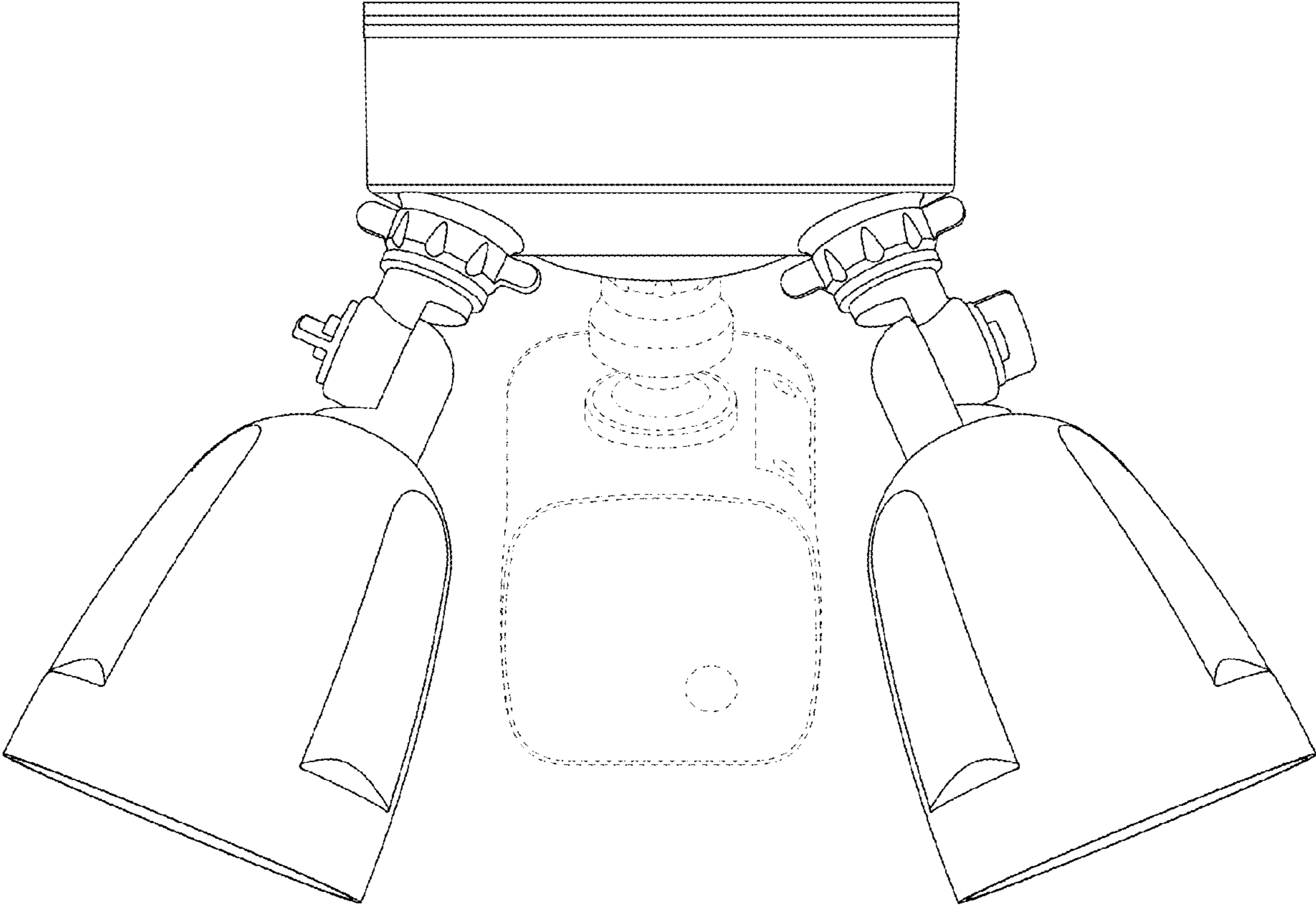


FIG. 6

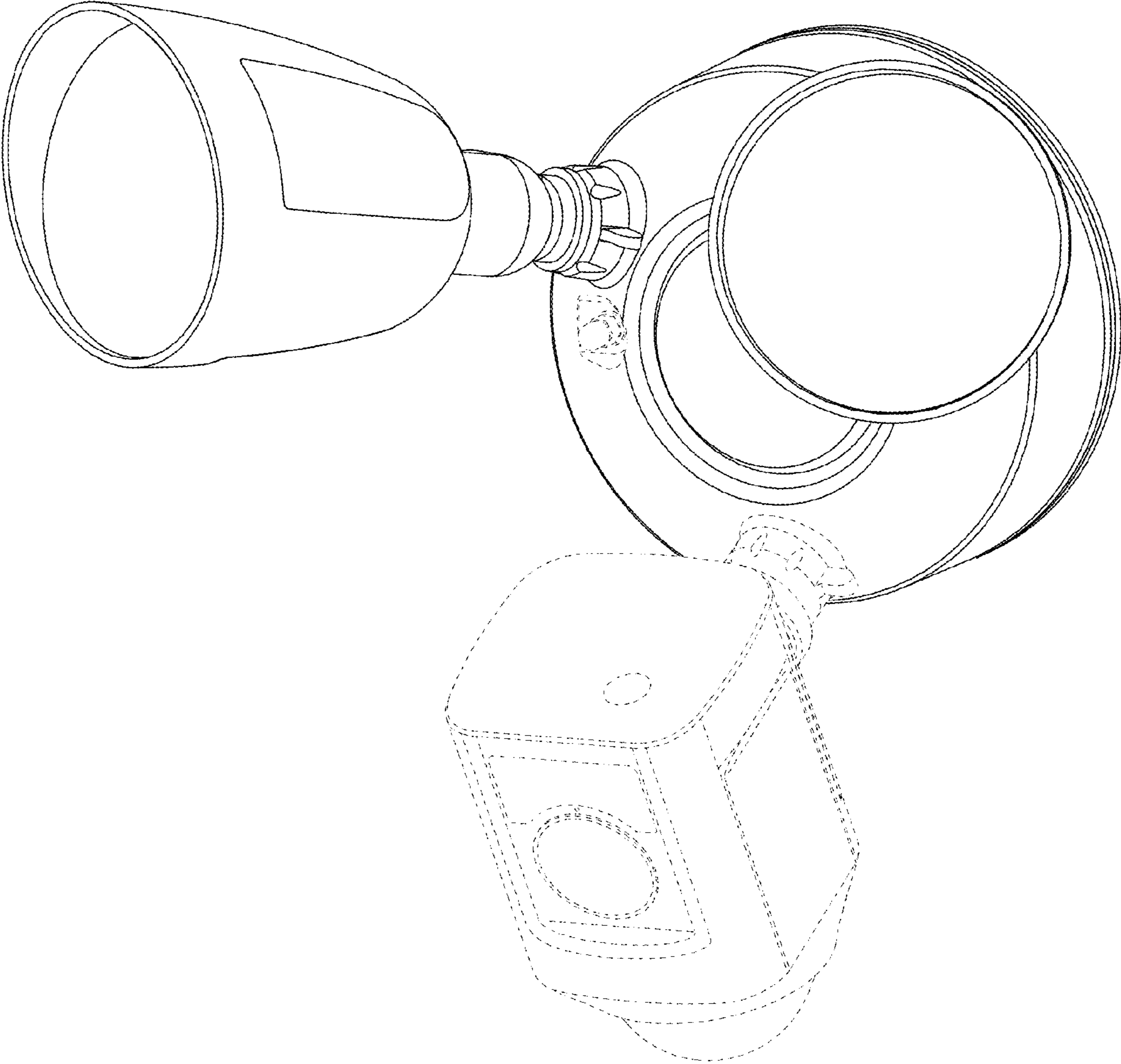


FIG. 7

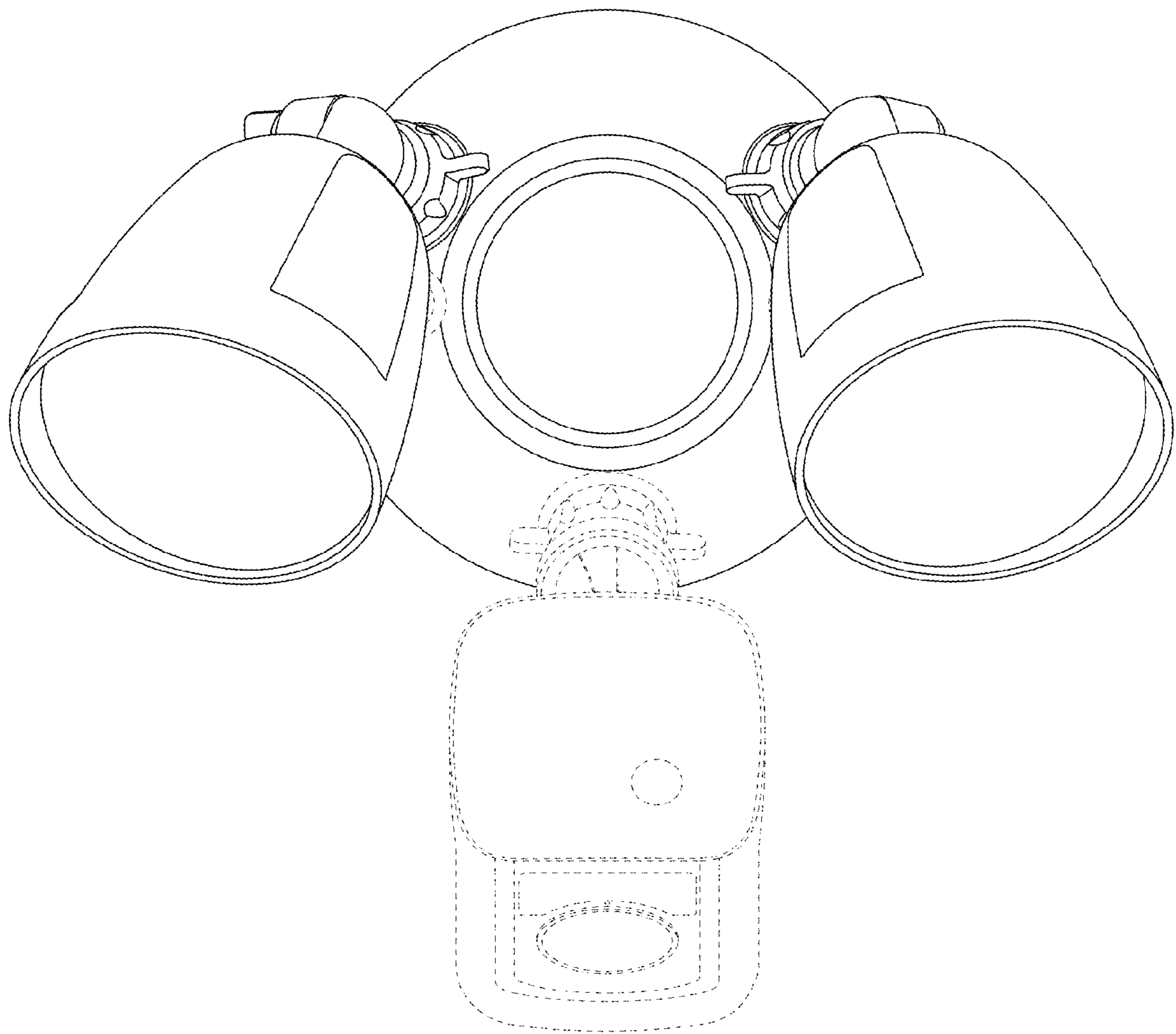


FIG. 8