



US00D954321S

(12) **United States Design Patent**
Chen

(10) **Patent No.:** **US D954,321 S**
(45) **Date of Patent:** **** Jun. 7, 2022**

(54) **LAMP**

(71) Applicant: **Honghong Chen**, Shenzhen (CN)

(72) Inventor: **Honghong Chen**, Shenzhen (CN)

(**) Term: **15 Years**

(21) Appl. No.: **29/769,049**

(22) Filed: **Feb. 3, 2021**

(51) **LOC (13) Cl.** **26-05**

(52) **U.S. Cl.**
USPC **D26/61**

(58) **Field of Classification Search**
USPC D26/1, 2, 24, 61, 93
CPC F21L 2/00; F21L 4/00; F21L 4/02; F21L 4/025; F21L 4/027; F21L 14/00; F21S 2/00; F21S 8/03; F21S 8/033
See application file for complete search history.

(56) **References Cited**

U.S. PATENT DOCUMENTS

D298,467 S *	11/1988	Stover	D26/63
D630,368 S *	1/2011	de Rijck	D26/89
D641,517 S *	7/2011	Sprengers	D26/89
D755,998 S *	5/2016	Wilson	D26/1
D853,613 S	7/2019	Lien		
D887,590 S *	6/2020	Ke	D26/1
D887,605 S	6/2020	Zhan		
D899,491 S *	10/2020	Chen	D16/244
D901,054 S *	11/2020	Zhao	D26/61
D901,749 S *	11/2020	Chen	D26/106
D929,025 S *	8/2021	Xiao	D26/106
D929,643 S *	8/2021	Feng	D26/106
D930,223 S *	9/2021	Ran	D26/106
D930,886 S *	9/2021	Xiao	D26/106
D937,251 S *	11/2021	Peng	D14/252

FOREIGN PATENT DOCUMENTS

GB 6129358 * 4/2021

OTHER PUBLICATIONS

Amazon, "UBeesize Selfie Ring Light with Tripod Stand", first available Aug. 12, 2018. (<https://www.amazon.com/UBeesize-Ringlight-YouTube-Photography-Compatible/dp/B07GDC39Y2>) (Year: 2018).*

Amazon, "LED Ring Light 10" with Tripod Stand", first available Mar. 27, 2019. (<https://www.amazon.com/dp/B07Q3471S2/>) (Year: 2019).*

Amazon, "UBeesize 67" Phone Tripod Stand", first available Sep. 8, 2020. (<https://www.amazon.com/dp/B08D6KM95D/>) (Year: 2020).*

Amazon, "Fugetek LED Photography Video Light Kit", first available Aug. 1, 2021. (<https://www.amazon.com/dp/B09BM9HMB4/>) (Year: 2021).*

* cited by examiner

Primary Examiner — Lauren D McVey
Assistant Examiner — Justin A Johnson

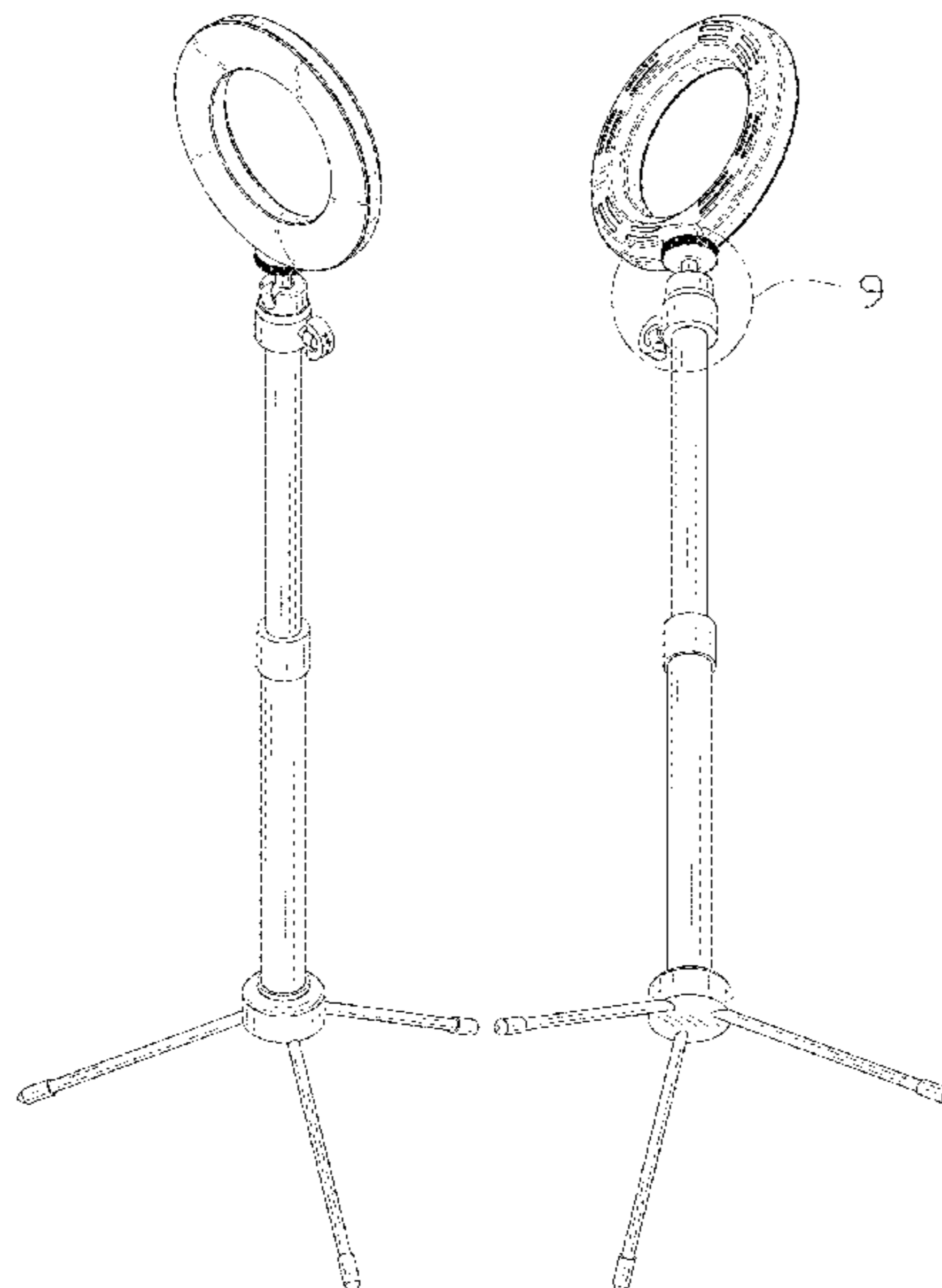
(57) **CLAIM**

The ornamental design for a lamp, as shown and described.

DESCRIPTION

FIG. 1 is a perspective view of a lamp showing my new design;
FIG. 2 is another perspective view thereof;
FIG. 3 is a front elevational view thereof;
FIG. 4 is a rear elevational view thereof;
FIG. 5 is a left side elevational view thereof;
FIG. 6 is a right side elevational view thereof;
FIG. 7 is a top plan view thereof;
FIG. 8 is a bottom plan view thereof; and,
FIG. 9 is an enlarged view of portion 9 shown in FIG. 2.
The dash-dash broken lines in the drawings depict portions of the lamp that form no part of the claimed design. The dot-dash broken lines represent boundaries of the enlarged portion and form no part of the claimed design.

1 Claim, 9 Drawing Sheets



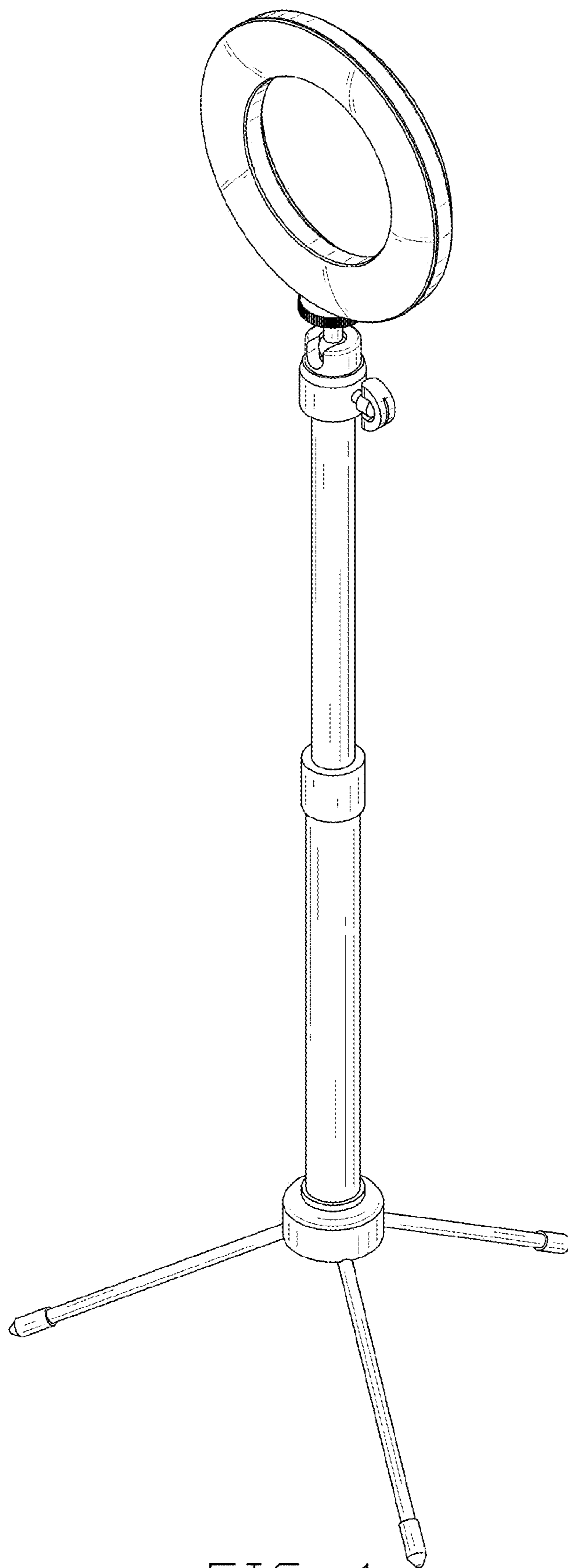


FIG. 1

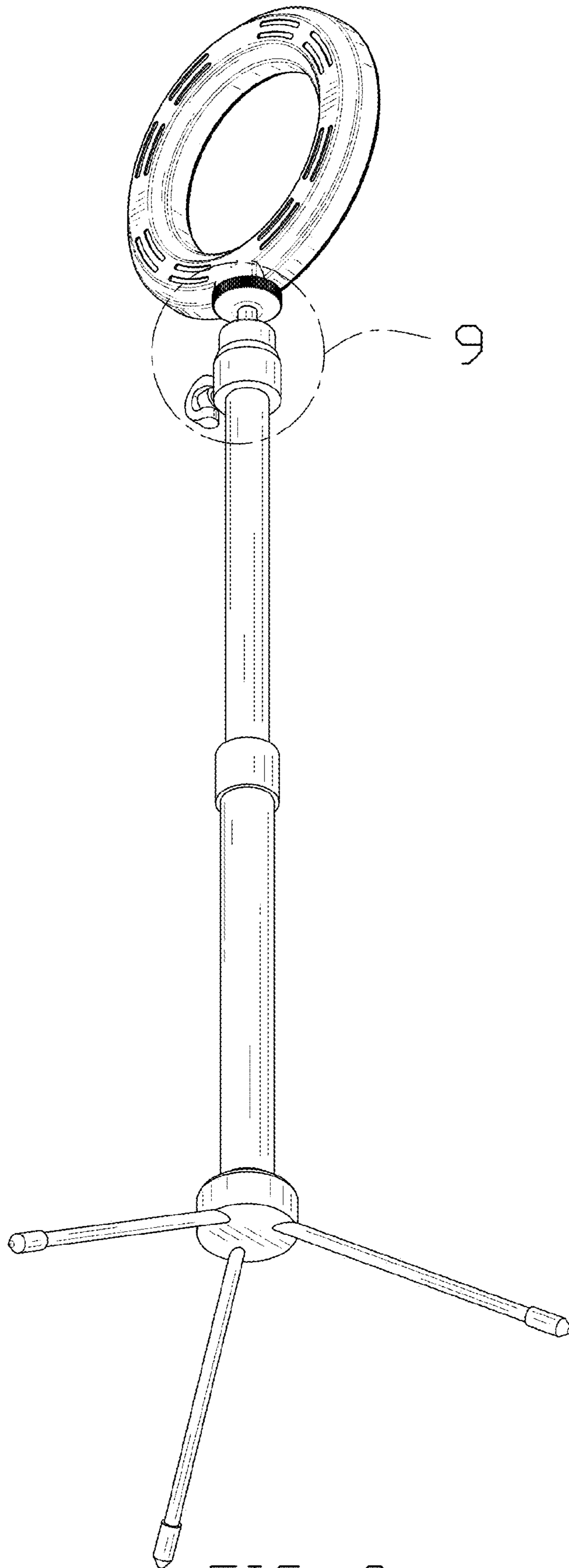


FIG. 2

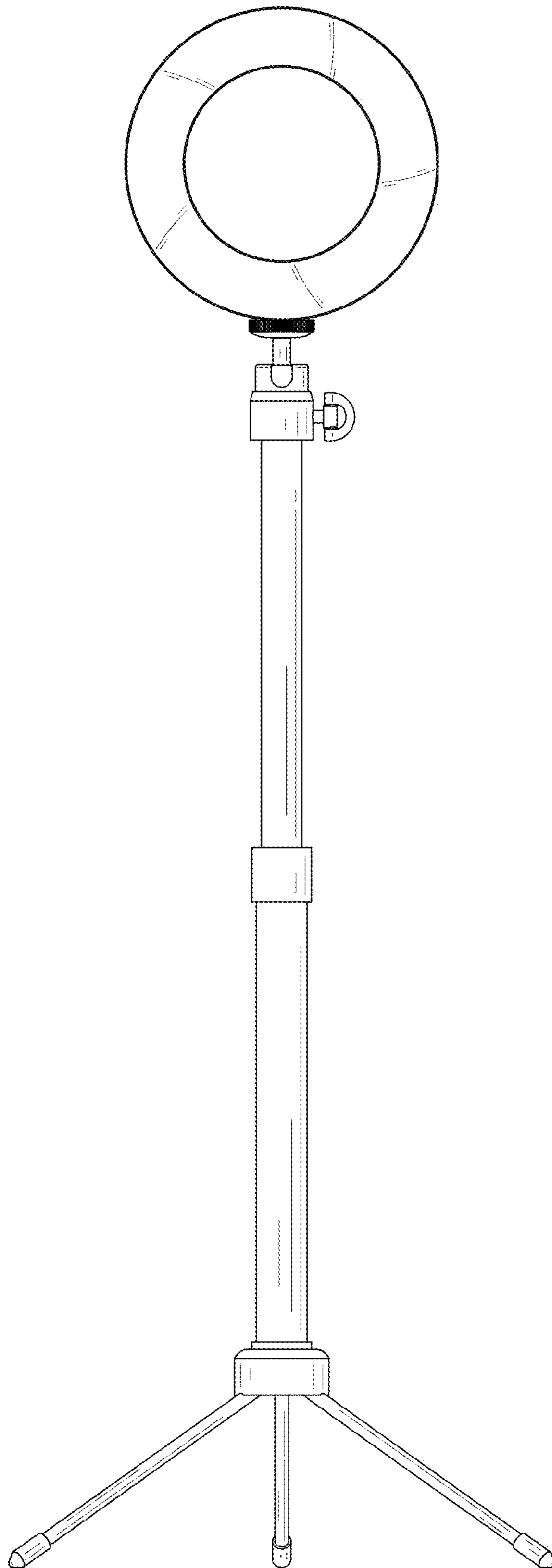


FIG. 3

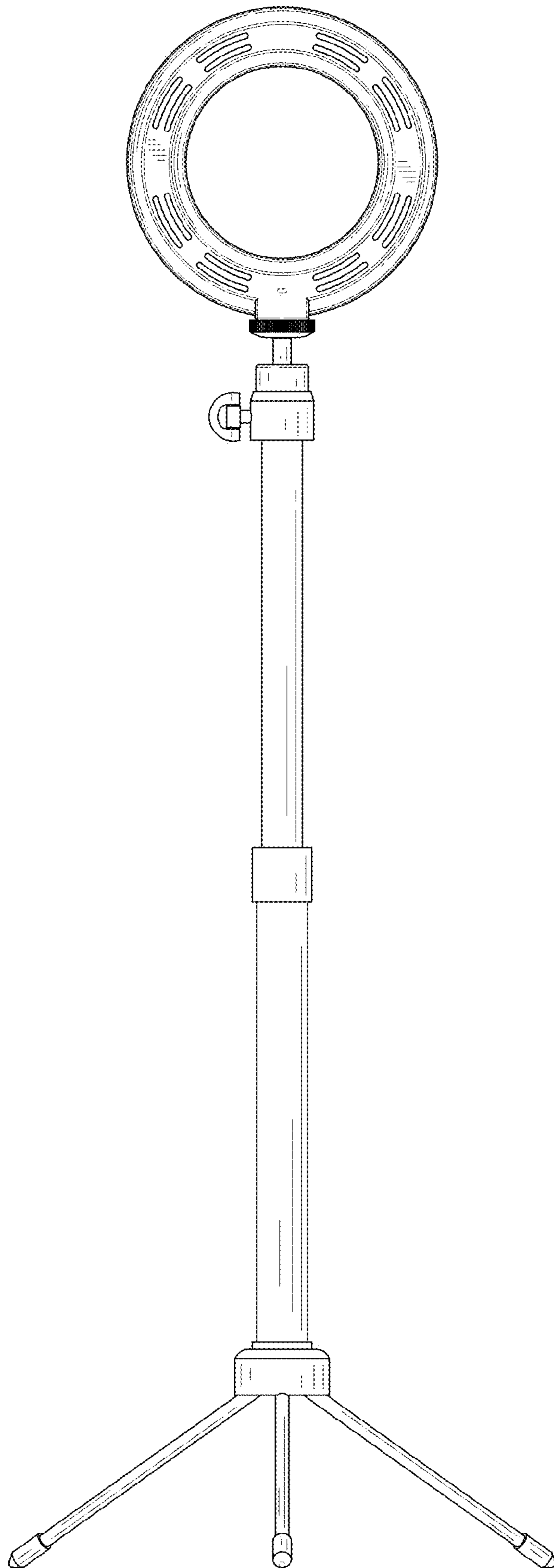


FIG. 4

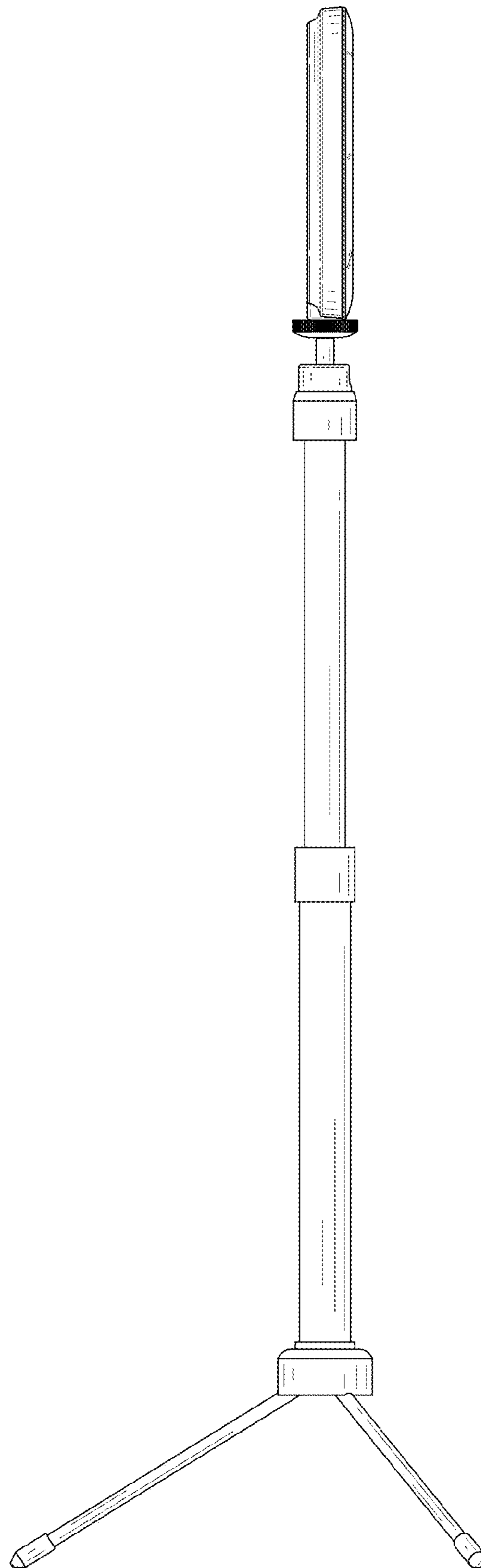


FIG. 5

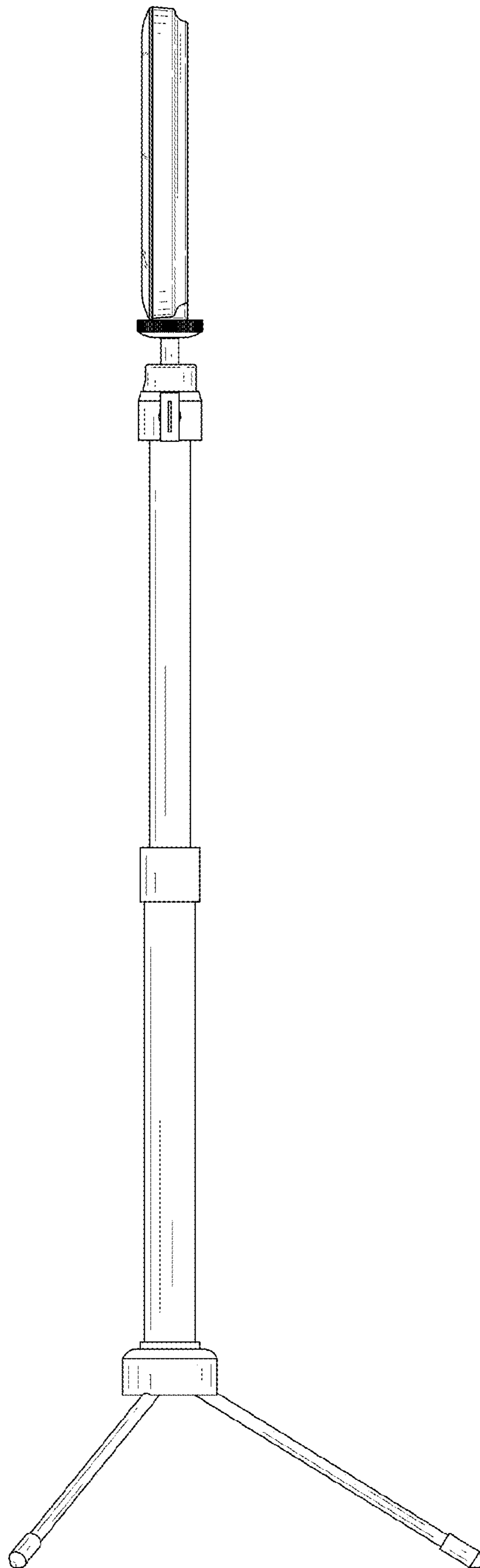


FIG. 6

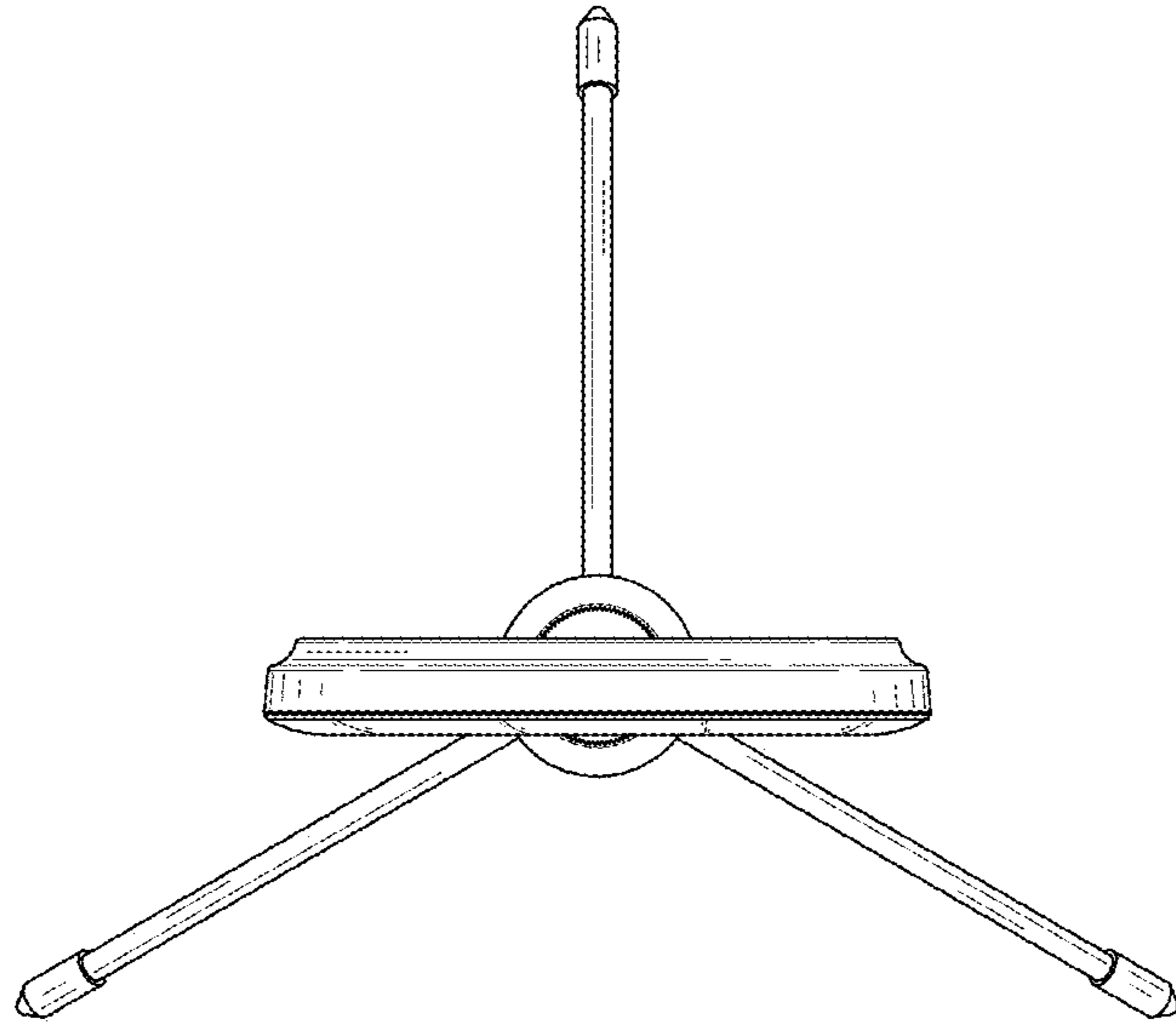


FIG. 7

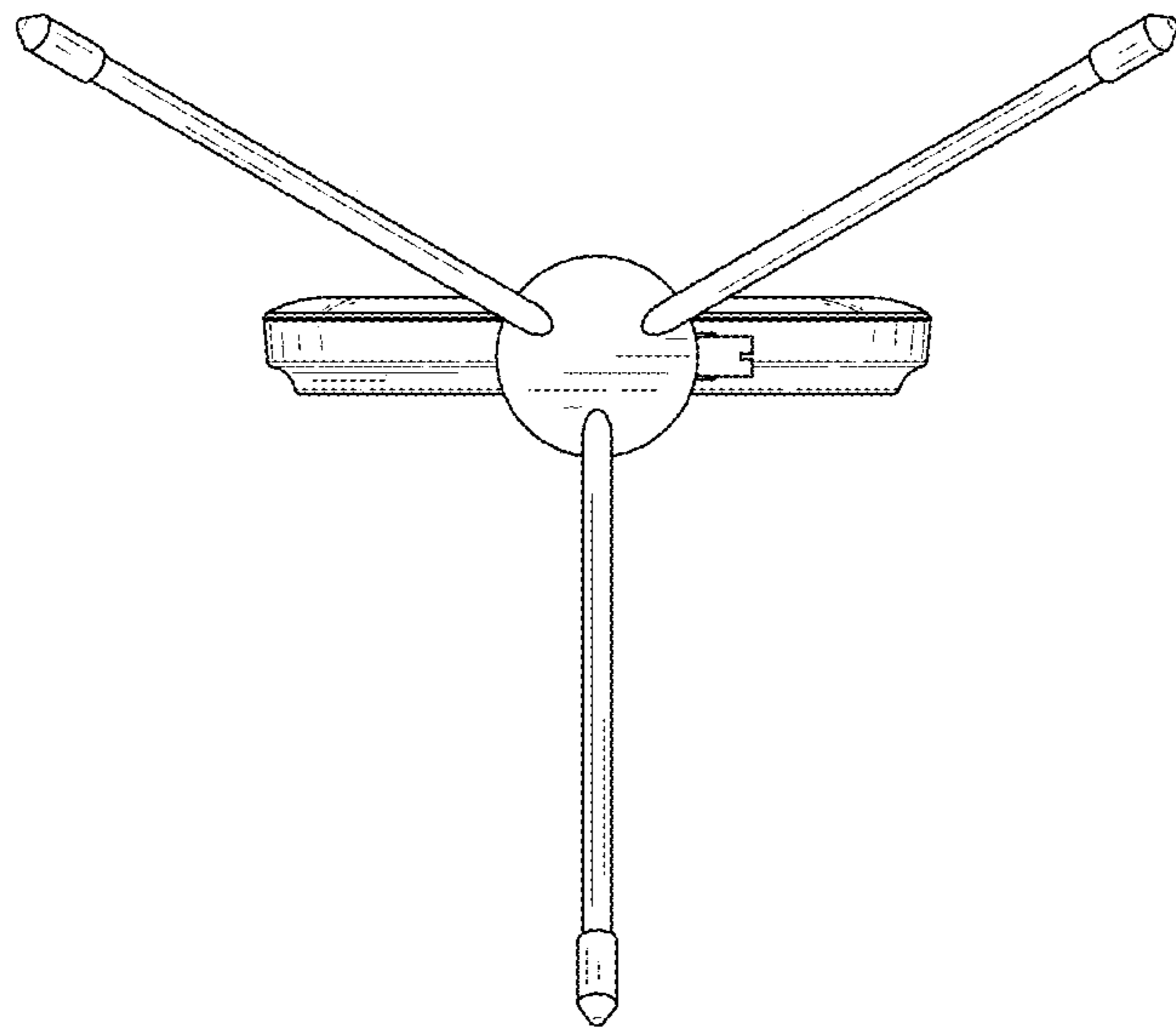


FIG. 8

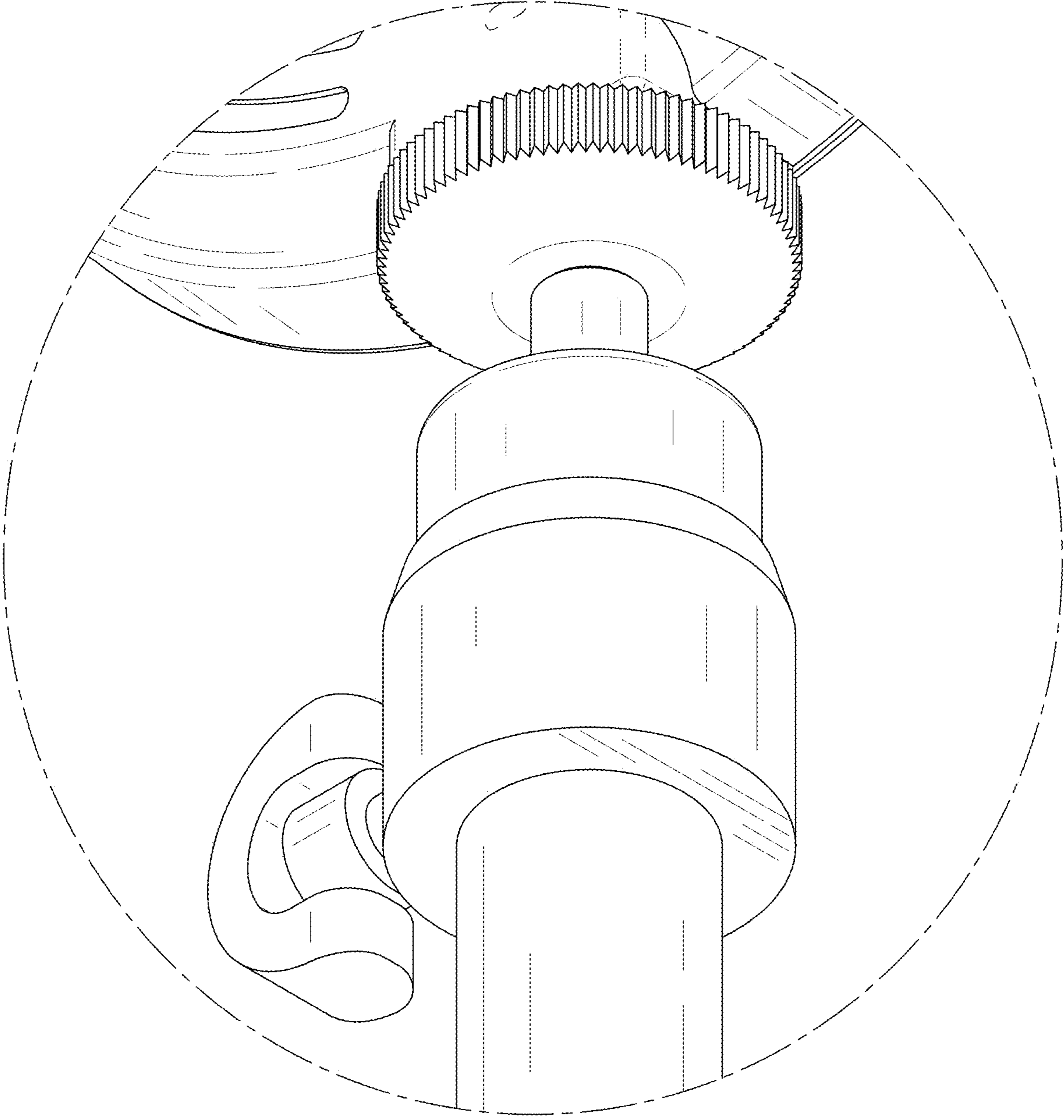


FIG. 9