



US00D954319S

(12) **United States Design Patent** (10) **Patent No.:** **US D954,319 S**
Yuan (45) **Date of Patent:** **** Jun. 7, 2022**

(54) **TOILET LIGHT**
(71) Applicant: **Xiucheng Yuan**, Shenzhen (CN)
(72) Inventor: **Xiucheng Yuan**, Shenzhen (CN)
(73) Assignee: **SHENZHEN TESCATECHNOLOGY CO., LTD.**, Shenzhen (CN)

D722,277 S * 2/2015 Shin D10/114.4
D722,586 S * 2/2015 Kimura D14/188
D745,729 S * 12/2015 Salmon D26/39
D746,501 S * 12/2015 Chen D26/60
D747,014 S * 1/2016 Chen D26/28
D786,327 S * 5/2017 May D16/135
D814,089 S * 3/2018 Exley D26/60
D816,877 S * 5/2018 Zou D26/60

(Continued)

(**) Term: **15 Years**
(21) Appl. No.: **29/701,201**

FOREIGN PATENT DOCUMENTS

CN 301627859 * 7/2011
CN 303879218 * 10/2016
EM 004564722-0001 * 1/2018

(22) Filed: **Aug. 9, 2019**
(51) **LOC (13) Cl.** **26-02**
(52) **U.S. Cl.**
USPC **D26/51**
(58) **Field of Classification Search**
USPC D26/37-44, 46-52, 76, 78, 79, 80, 81,
D26/82, 83, 85, 86, 88, 90, 113, 118,
D26/119, 120, 121, 122, 138, 139, 140,
D26/141, 142, 60; D10/111-115
CPC . E03D 9/00; E03D 9/007; F21V 33/00; F21V
33/004
See application file for complete search history.

OTHER PUBLICATIONS

“Best Light Motion Activated Toilet Night Light,” Jul. 4, 2016, amazon.com, site visited Jan. 10, 2022, URL: <https://www.amazon.com/Best-Motion-Activated-Toilet-Nightlight/dp/B01HXWEC60?th=1> (Year: 2016).*

(Continued)

Primary Examiner — Eric L Goodman
Assistant Examiner — Sarah L Smith

(56) **References Cited**

U.S. PATENT DOCUMENTS

2,914,655 A * 11/1959 Swift B26B 19/46
362/115
5,136,476 A * 8/1992 Horn A47K 17/00
362/198
D366,127 S * 1/1996 Yuen D26/26
D371,617 S * 7/1996 Anwyl-Davies D26/39
D384,175 S * 9/1997 Liu D26/38
D431,319 S * 9/2000 Hiller D10/106.1
D500,528 S * 1/2005 Morris D21/324
D546,989 S * 7/2007 Chun D26/37
D563,597 S * 3/2008 Kuylenstierna D27/189
D579,137 S * 10/2008 Shiu D26/60
D614,521 S * 4/2010 Lyons D10/114.1

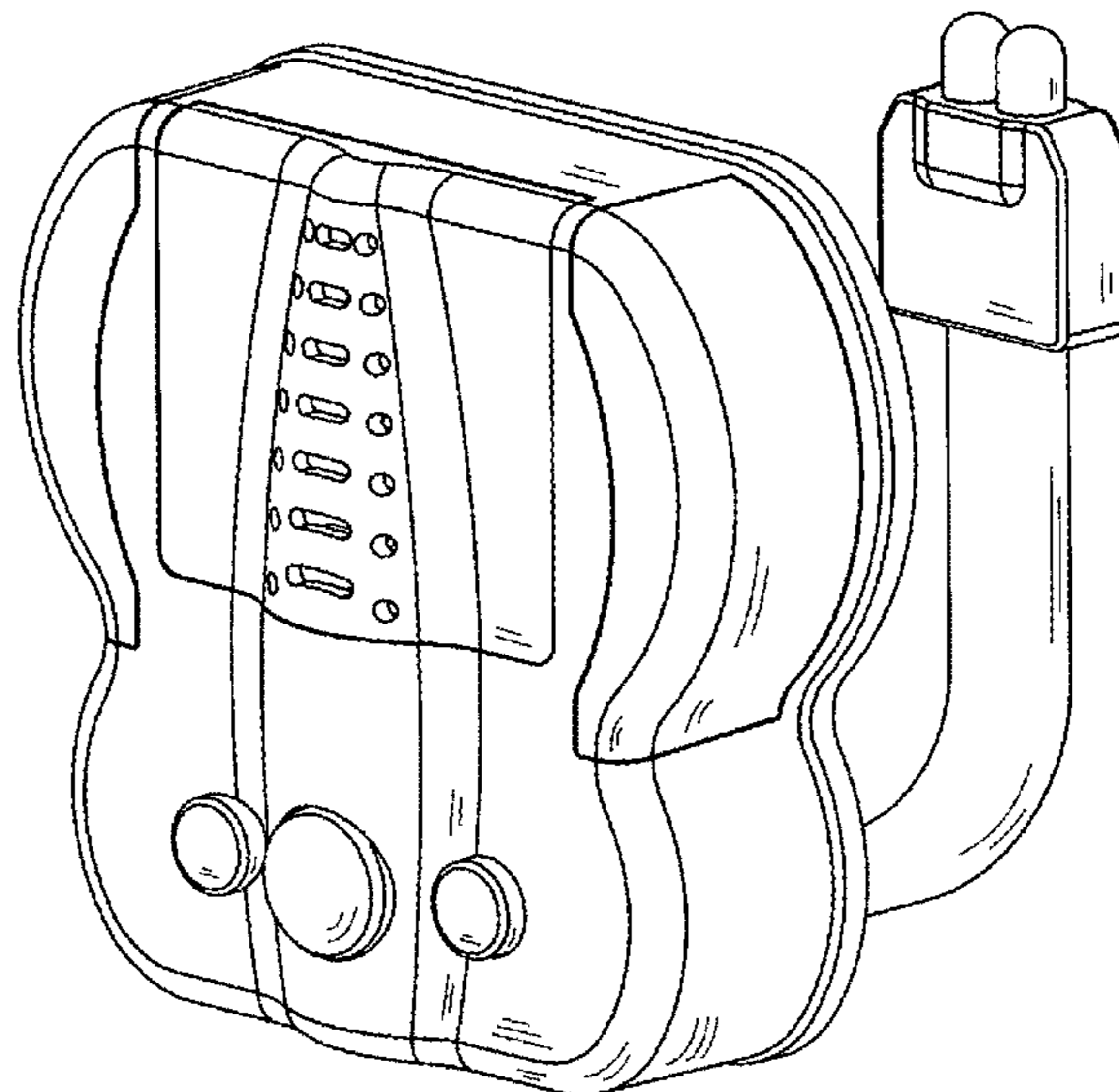
(57) **CLAIM**

The ornamental design for a toilet light, as shown and described.

DESCRIPTION

FIG. 1 is a front perspective view of a toilet light according to the present invention;
FIG. 2 is a rear perspective view thereof;
FIG. 3 is a front elevation view thereof;
FIG. 4 is a rear elevation view thereof;
FIG. 5 is a left side view thereof;
FIG. 6 is a right side view thereof;
FIG. 7 is a top side view thereof; and,
FIG. 8 is a bottom side view thereof.

1 Claim, 8 Drawing Sheets



(56)

References Cited

U.S. PATENT DOCUMENTS

D849,975 S * 5/2019 Huang D26/37
D935,664 S * 11/2021 Li D26/51
D940,368 S * 1/2022 Kao D26/40
2010/0235976 A1* 9/2010 Cooper E03D 9/032
4/223
2016/0138254 A1* 5/2016 Chimene E03D 9/00
4/661
2020/0063420 A1* 2/2020 Moscovits E03D 9/032

OTHER PUBLICATIONS

“TOPGREENER 19-Color Motion Sensor LED Toilet Bowl Seat Night Light,” Nov. 7, 2018, amazon.com, site visited Jan. 10, 2022, URL: https://www.amazon.com/TOPGREENER-TGTSNL-2PCS/dp/B07K918XV2/ref=sr_1_91?keywords=glow+in+the+dark+toilet+seat&qid=1641840210&sr=8-91 (Year: 2018).*

* cited by examiner

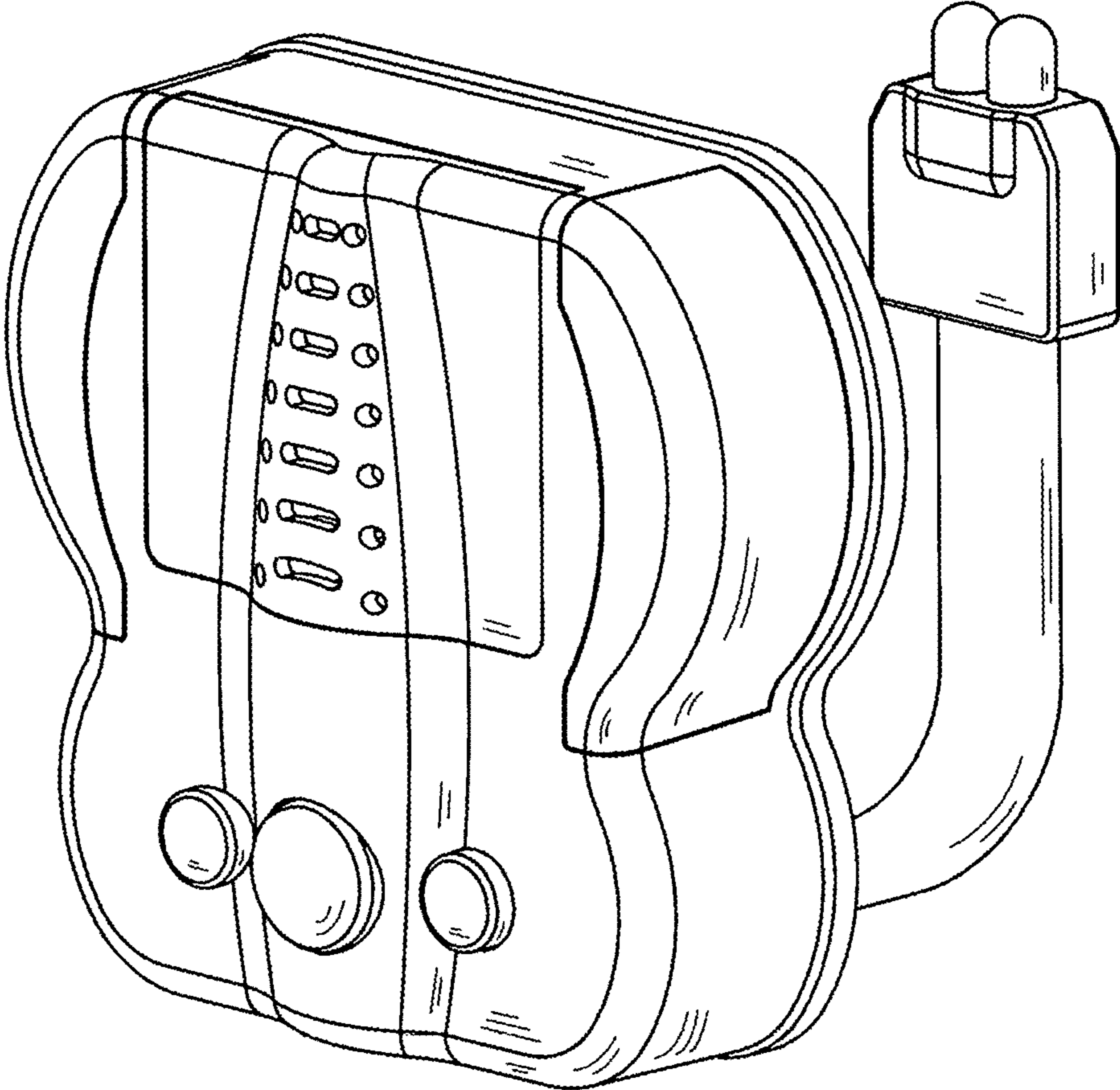


FIG. 1

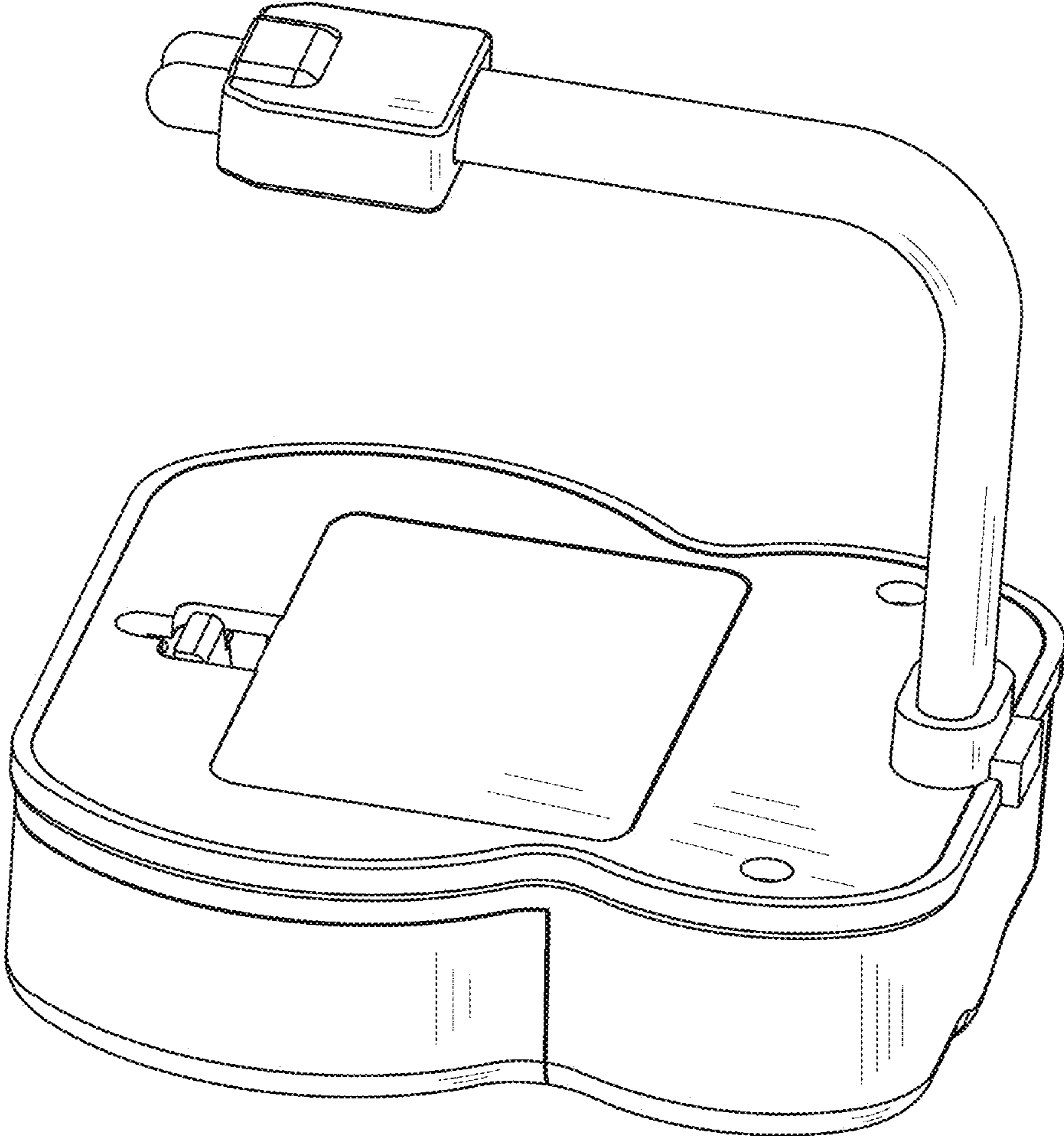


FIG. 2

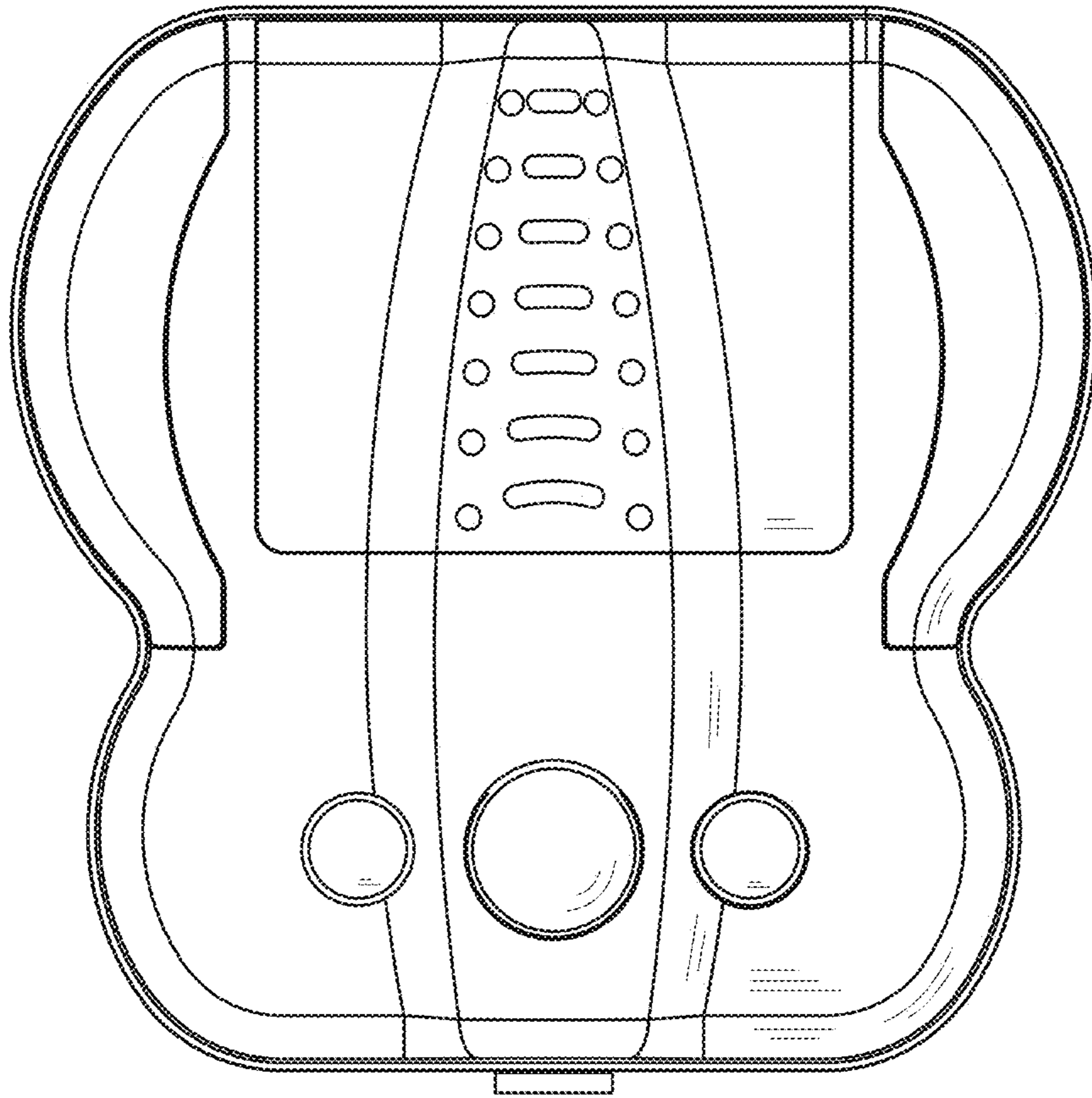


FIG. 3

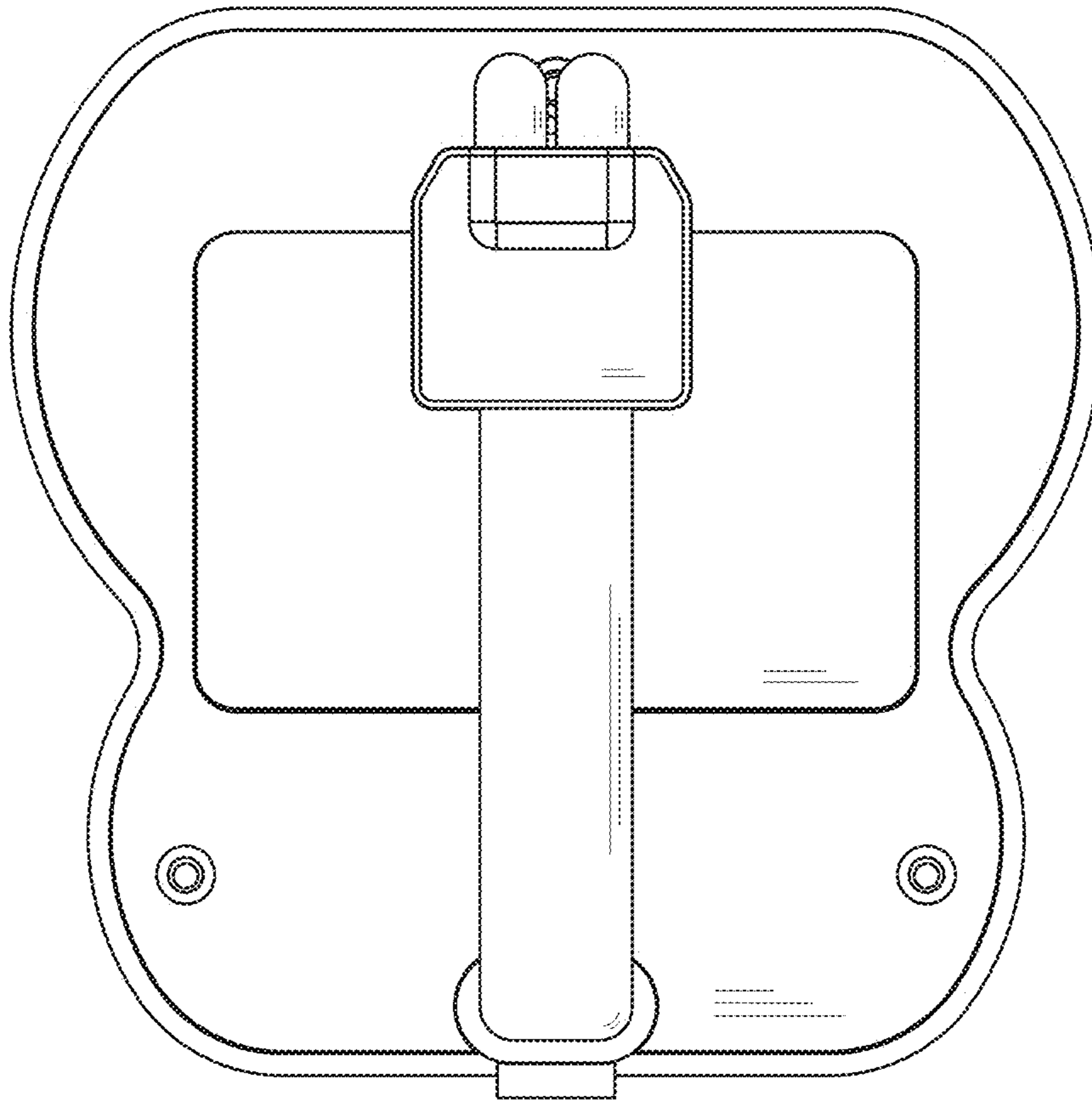


FIG. 4

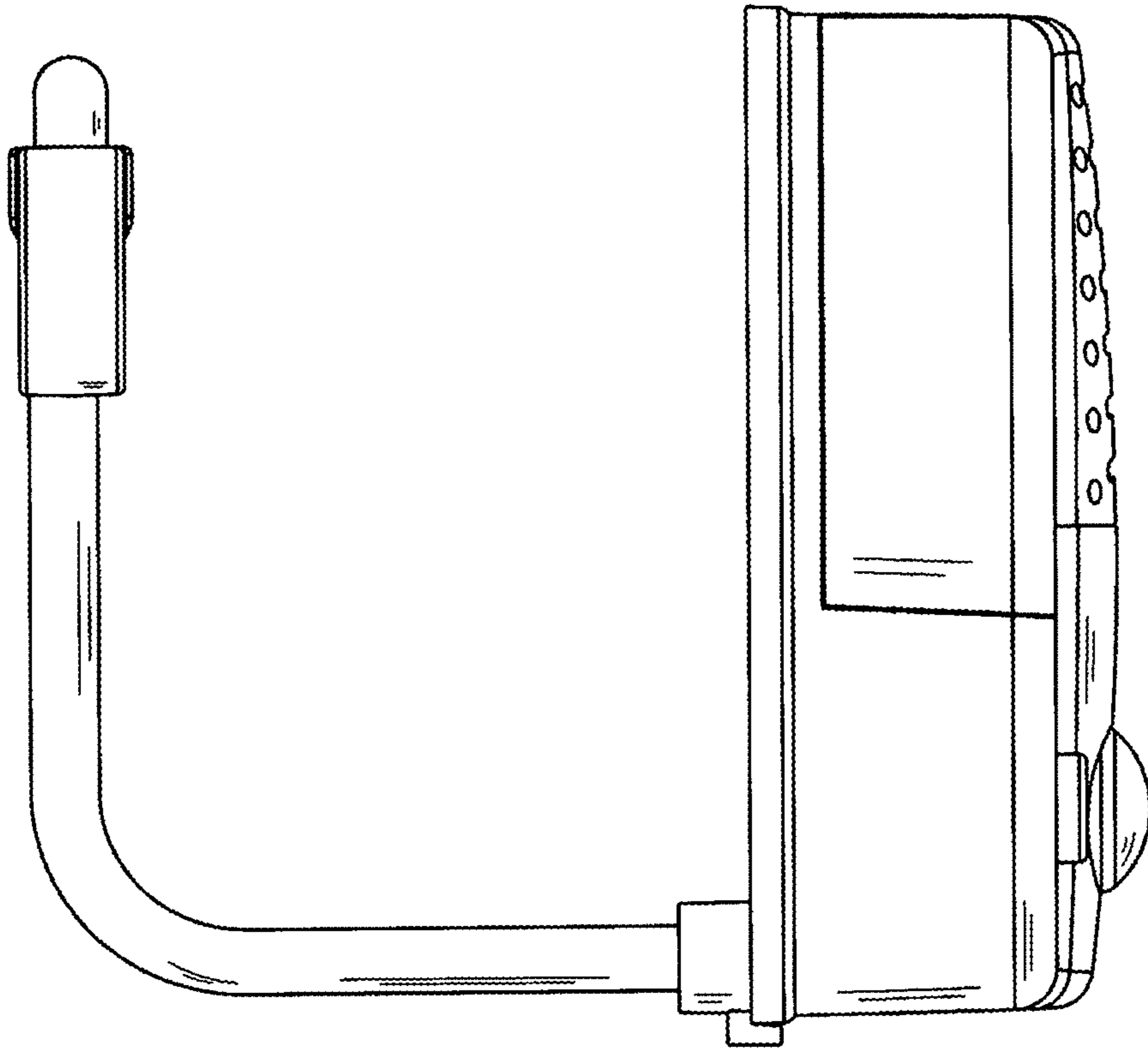


FIG. 5

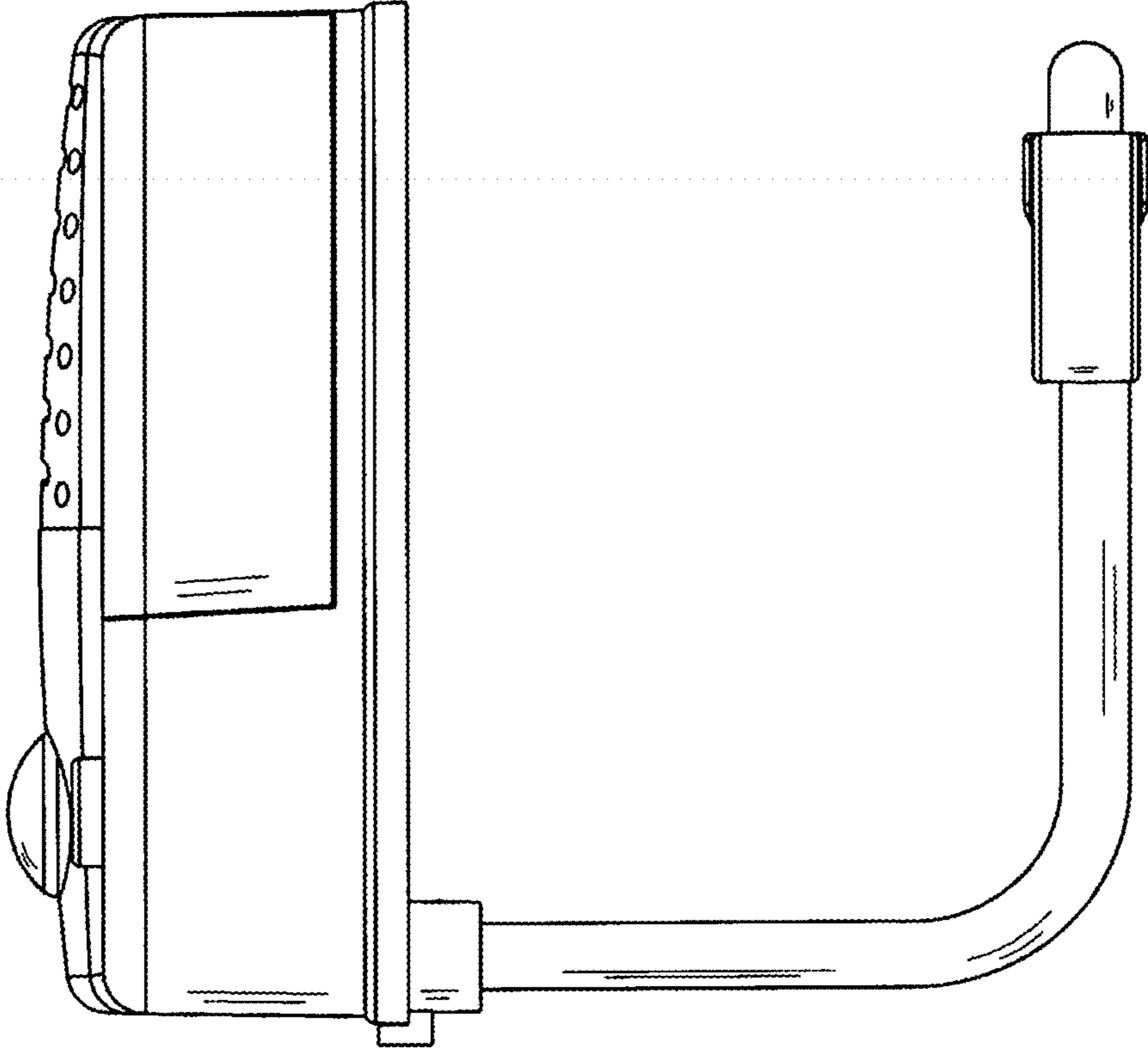


FIG. 6

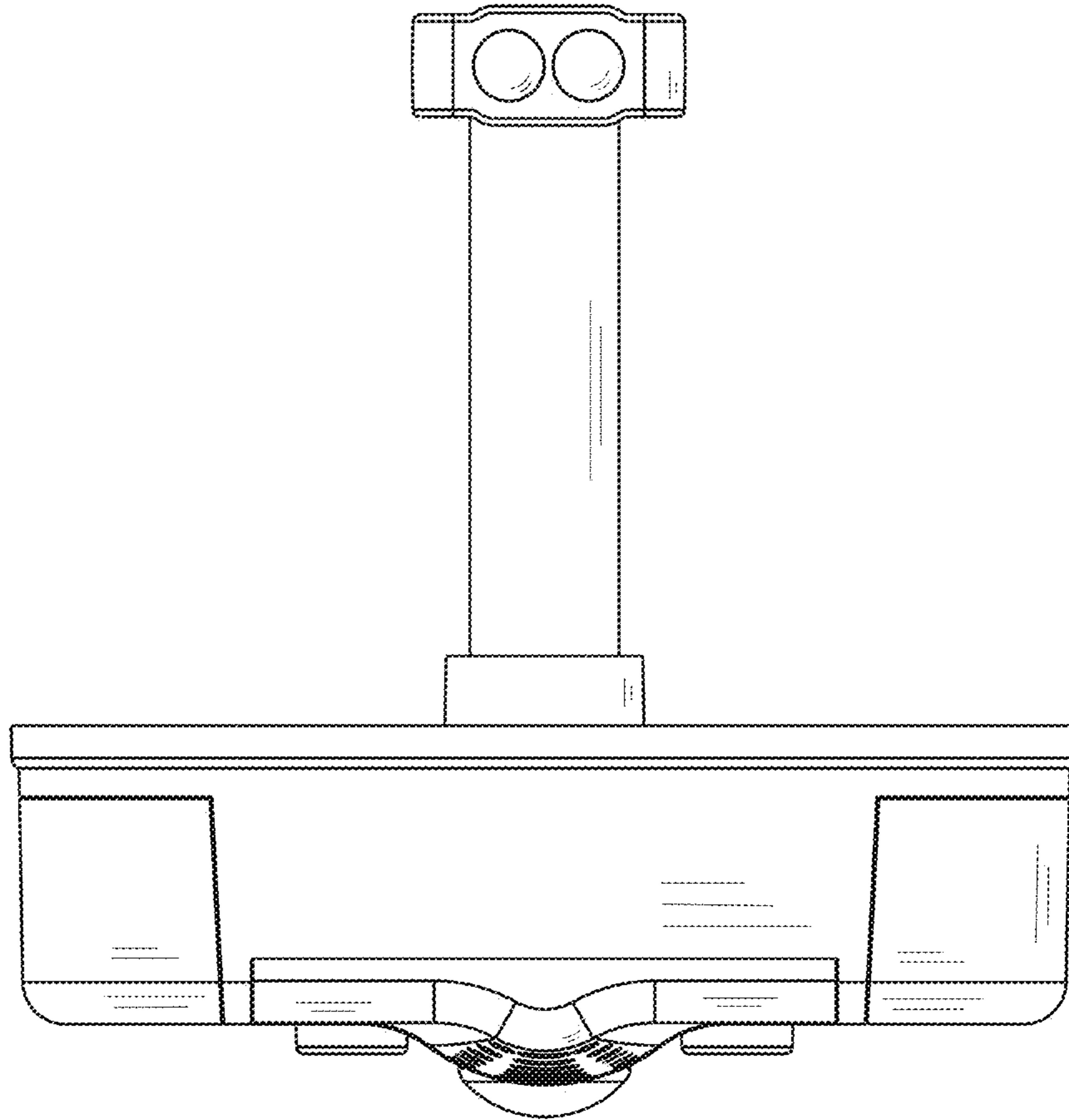


FIG. 7

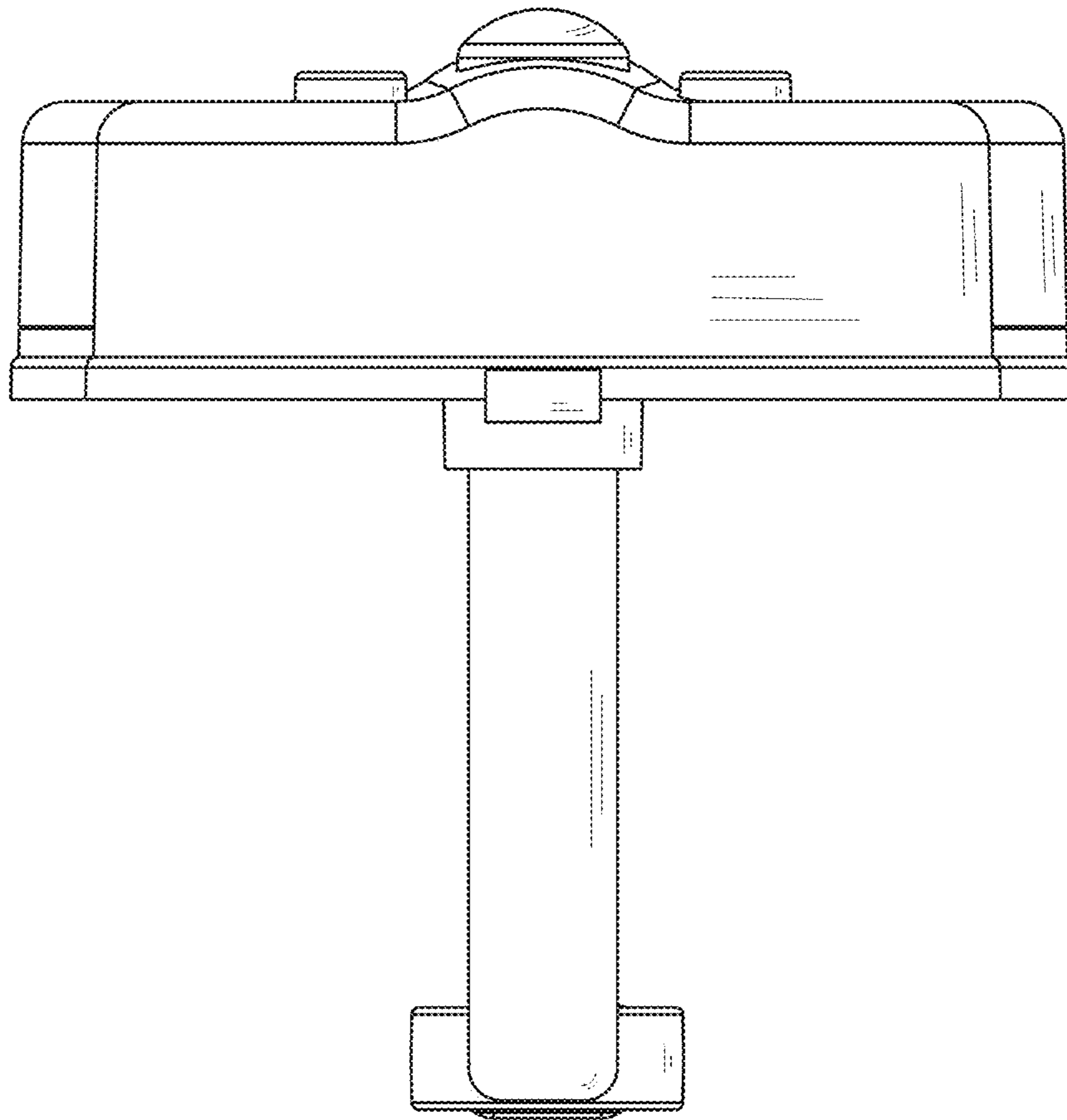


FIG. 8