



US00D954317S

(12) **United States Design Patent** (10) **Patent No.:** **US D954,317 S**  
**Liu** (45) **Date of Patent:** **\*\* Jun. 7, 2022**

(54) **HEADLAMP**

(71) Applicant: **Shenzhen Severe Cold Technology Co., Ltd.**, Shenzhen (CN)

(72) Inventor: **Fuhai Liu**, Guangdong (CN)

(\*\*) Term: **15 Years**

(21) Appl. No.: **29/688,430**

(22) Filed: **Apr. 22, 2019**

(30) **Foreign Application Priority Data**

Mar. 26, 2019 (CN) ..... 201930129901.4

(51) **LOC (13) Cl.** ..... **26-02**

(52) **U.S. Cl.**  
USPC ..... **D26/39**

(58) **Field of Classification Search**

USPC .... D26/24, 26, 37-51, 60-61, 63, 113, 119,  
D26/120, 124, 138

CPC ..... F21Y 2115/10; F21Y 2101/00; F21Y  
2103/10; F21Y 2105/10; F21Y 2105/16;  
F21Y 2113/10; F21Y 2113/13; F21Y  
2115/00; F21W 2102/13; F21W 2102/18;  
F21W 2102/135; F21W 2102/19; F21W  
2102/145; F21W 2102/16; F21W  
2107/17; F21W 2102/00; F21W 2102/10;  
F21W 2102/14; F21W 2102/155; F21W  
2102/165; F21W 2102/20; F21W  
2103/55; F21W 2103/60; F21V 9/14;  
F21V 29/51; F21V 5/04; F21V 9/30;  
F21V 14/04; F21V 17/18; F21V 19/04;  
F21V 21/06; F21V 21/088; F21V 21/22;  
F21V 2200/00; F21V 29/78; F21V 29/85;  
F21V 5/00; F21V 5/045; F21V 5/048;  
F21V 7/00; F21V 7/22; F21V 9/08; F21V  
9/40

See application file for complete search history.

(56) **References Cited**

U.S. PATENT DOCUMENTS

D708,793	S	*	7/2014	Silverlieb	.....	D30/152
D748,307	S	*	1/2016	Matthews	.....	D26/37
D788,338	S	*	5/2017	Koshiba	.....	D26/39
D812,278	S	*	3/2018	Pontano	.....	D26/39
D843,035	S	*	3/2019	Pontano	.....	D26/39
D874,043	S	*	1/2020	Lee	.....	D26/37

(Continued)

OTHER PUBLICATIONS

Nitecore HC33 Versatile L Shaped Headlamp. By Nitecore World-  
wide. Dated Oct. 30, 2017. Found online [Aug. 12, 2021]. <https://www.youtube.com/watch?v=Hlj4ikiJdCM> (Year: 2017).\*

(Continued)

*Primary Examiner* — Marissa J Cash  
*Assistant Examiner* — William B Melliar

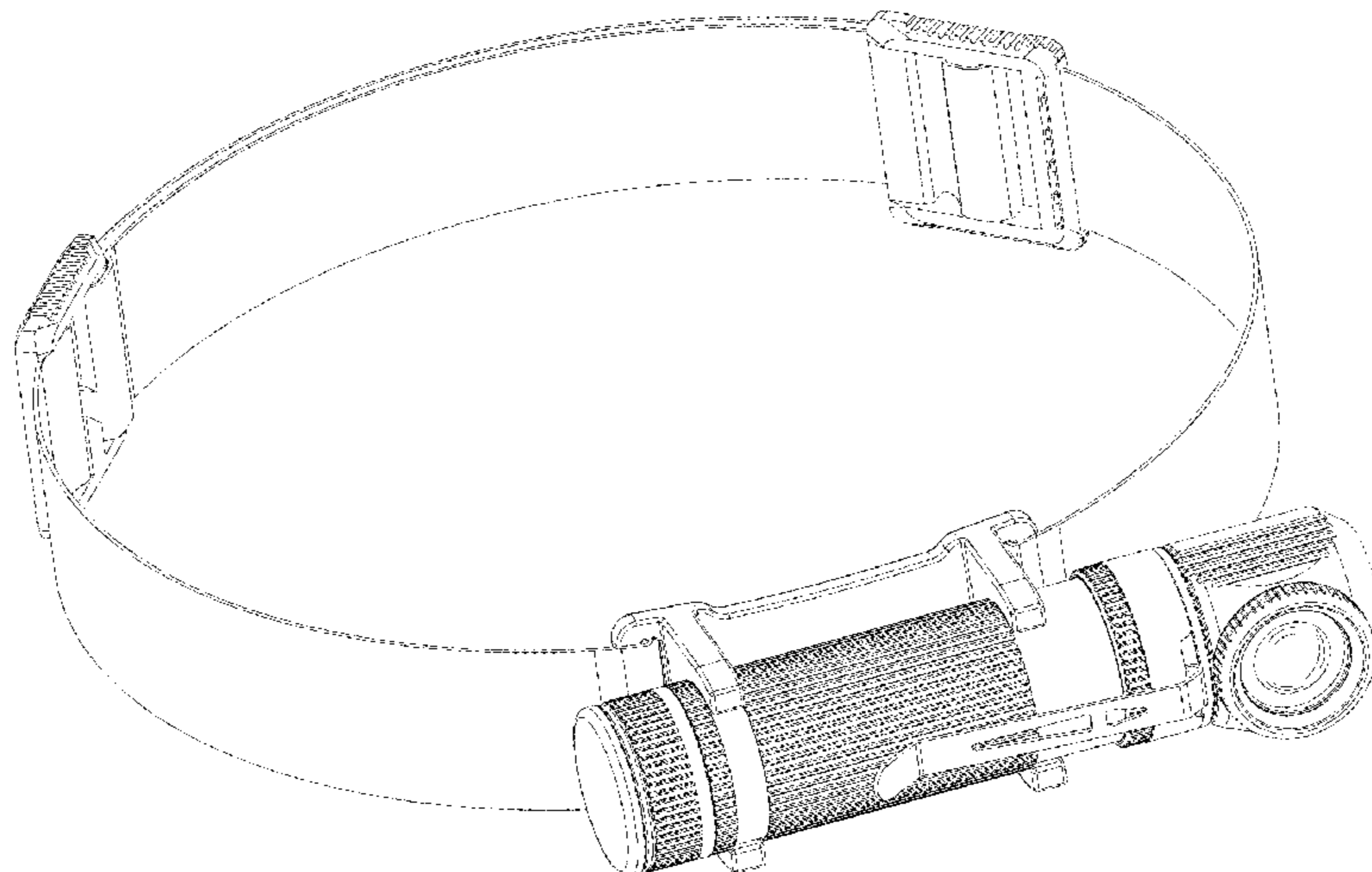
(57) **CLAIM**

The ornamental design for a headlamp, as shown and described.

**DESCRIPTION**

FIG. 1 is a Front elevational view of a headlamp showing my new design;  
FIG. 2 is a Rear elevational view thereof;  
FIG. 3 is a Left side view thereof;  
FIG. 4 is a Right side view thereof;  
FIG. 5 is a Top plan view thereof;  
FIG. 6 is a Bottom plan view thereof;  
FIG. 7 is a Perspective views thereof;  
FIG. 8 is another Perspective views from back side thereof;  
and,  
FIG. 9 is an enlarged detail view of the encircled region of FIG. 4.  
The dot-dash broken lines in FIGS. 4 and 9 are for annotative purpose only and form no part of the claimed design. The dash-dash lines throughout the drawing figures depict portions of the headlamp that form no part of the claimed design.

**1 Claim, 9 Drawing Sheets**



(56)

**References Cited**

U.S. PATENT DOCUMENTS

D877,949 S \* 3/2020 Deng ..... D26/39  
D884,942 S \* 5/2020 Sharrah ..... D26/37  
D890,396 S \* 7/2020 Bertken ..... D26/37  
D927,750 S \* 8/2021 Liu ..... F21L 4/02  
D26/39

OTHER PUBLICATIONS

Nitecore HC35 2700 Lumen USB Rechargeable . . . Headlamp. By Nitecore. Dated Dec. 5, 2019. Found online [Aug. 12, 2021]. [https://www.amazon.com/NITECORE-Rechargeable-Detachable-Flashlight-Performance/dp/B082DNYJ98/ref=sr\\_1\\_104?dchild=1&keywords=headlamp&qid=1628787777&sr=8-104](https://www.amazon.com/NITECORE-Rechargeable-Detachable-Flashlight-Performance/dp/B082DNYJ98/ref=sr_1_104?dchild=1&keywords=headlamp&qid=1628787777&sr=8-104) (Year: 2019).\*

Fenix HM61R 1200 Lumen L Shaped Magentic Rechargeable Headlamp. By Fenix. Dated Dec. 4, 2019. Found online [Aug. 12, 2021]. [https://www.amazon.com/Fenix-HM61R-Magnetic-Rechargeable-Headlamp/dp/B082BZ2D9L/ref=sr\\_1\\_21?dchild=1&keywords=headlamp&qid=1628785322&sr=8-21](https://www.amazon.com/Fenix-HM61R-Magnetic-Rechargeable-Headlamp/dp/B082BZ2D9L/ref=sr_1_21?dchild=1&keywords=headlamp&qid=1628785322&sr=8-21) (Year: 2019).\*

\* cited by examiner

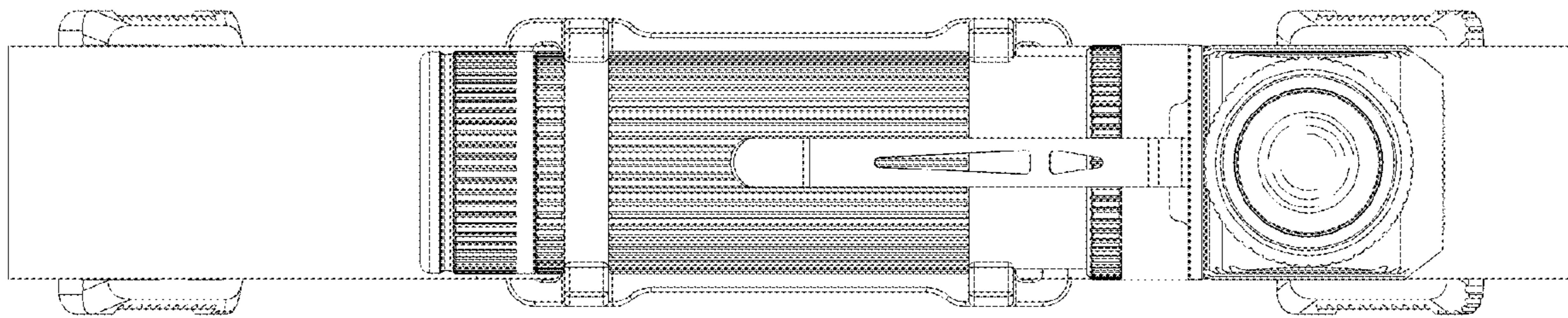


FIG. 1

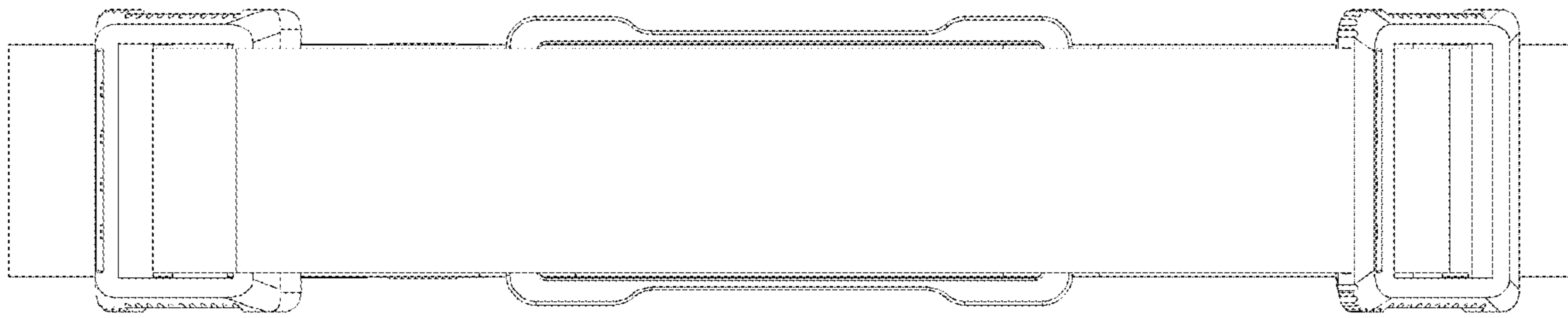


FIG. 2

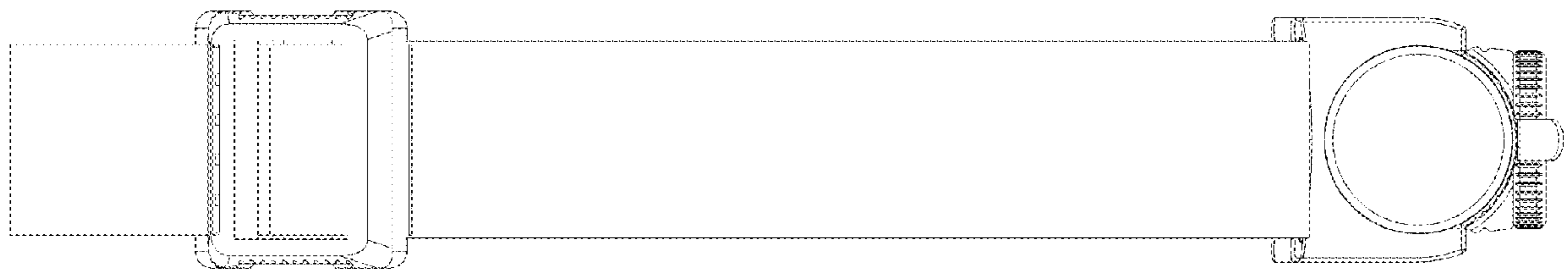


FIG. 3

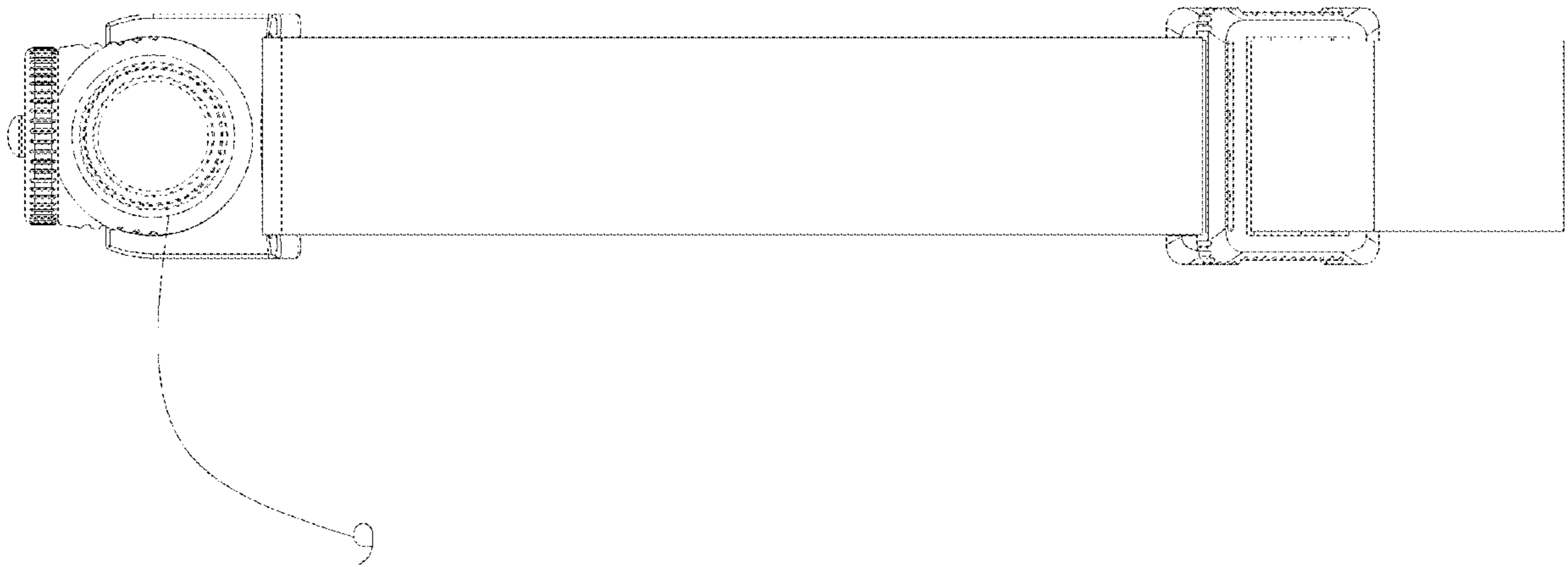


FIG. 4

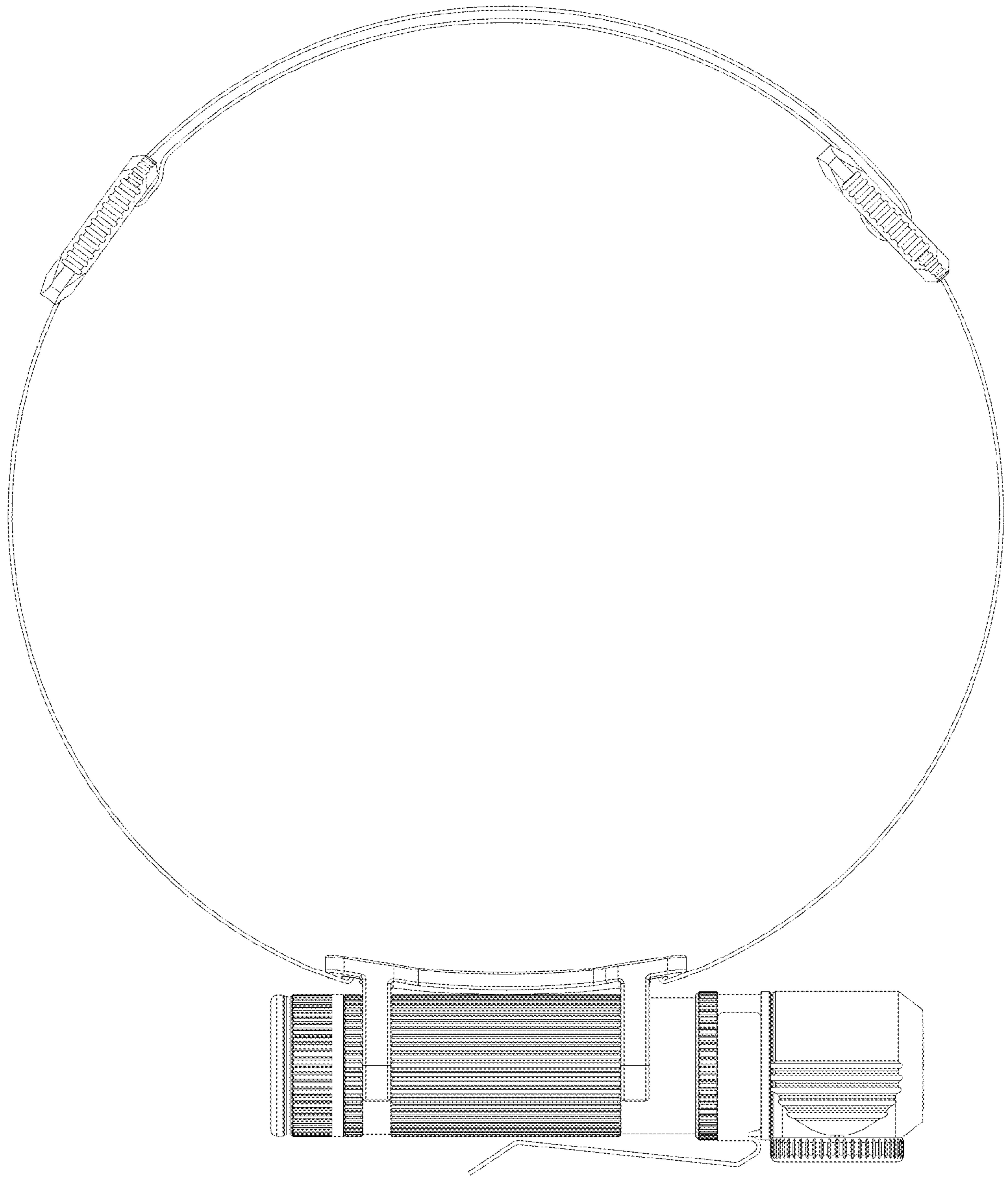


FIG. 5

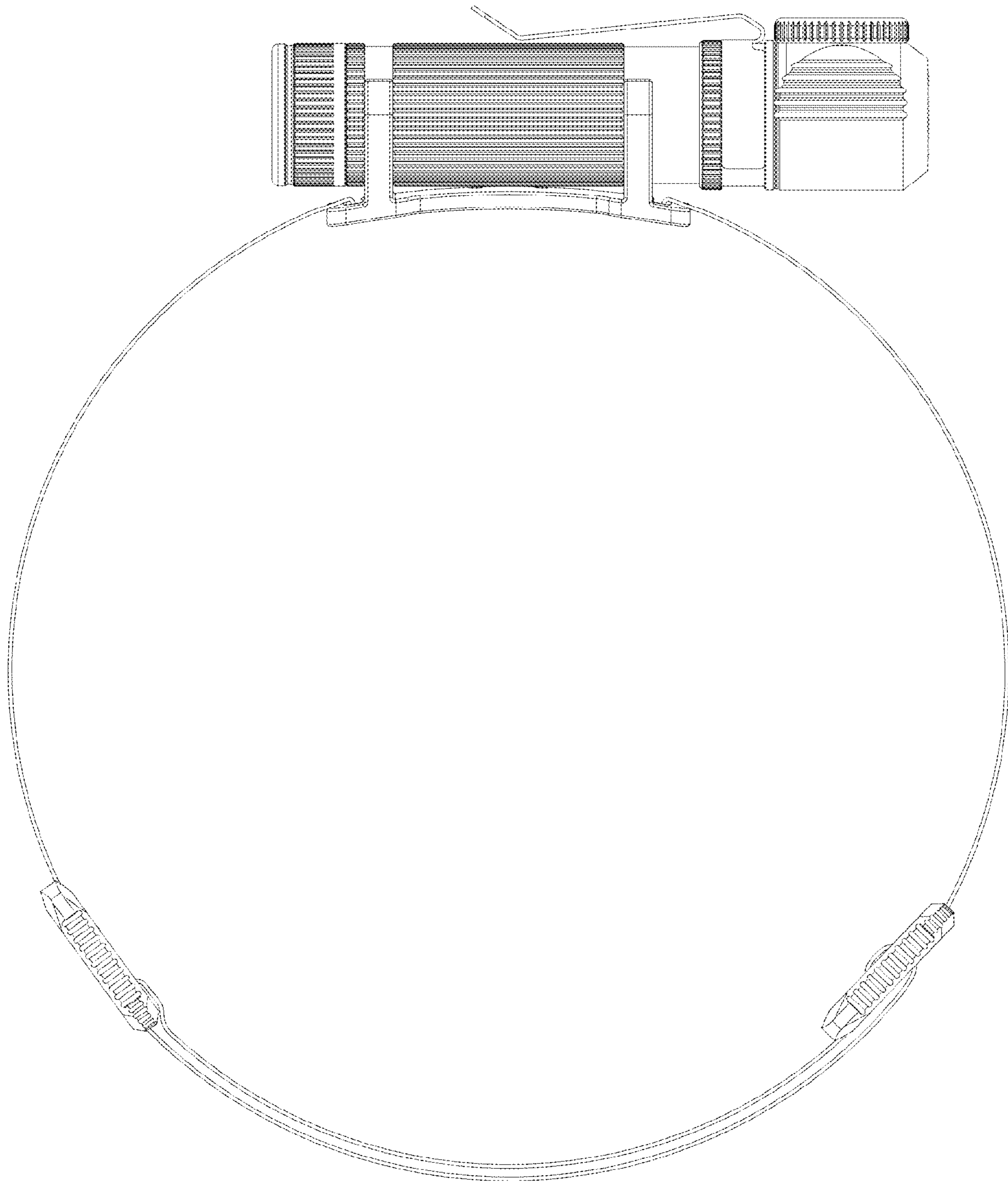


FIG. 6



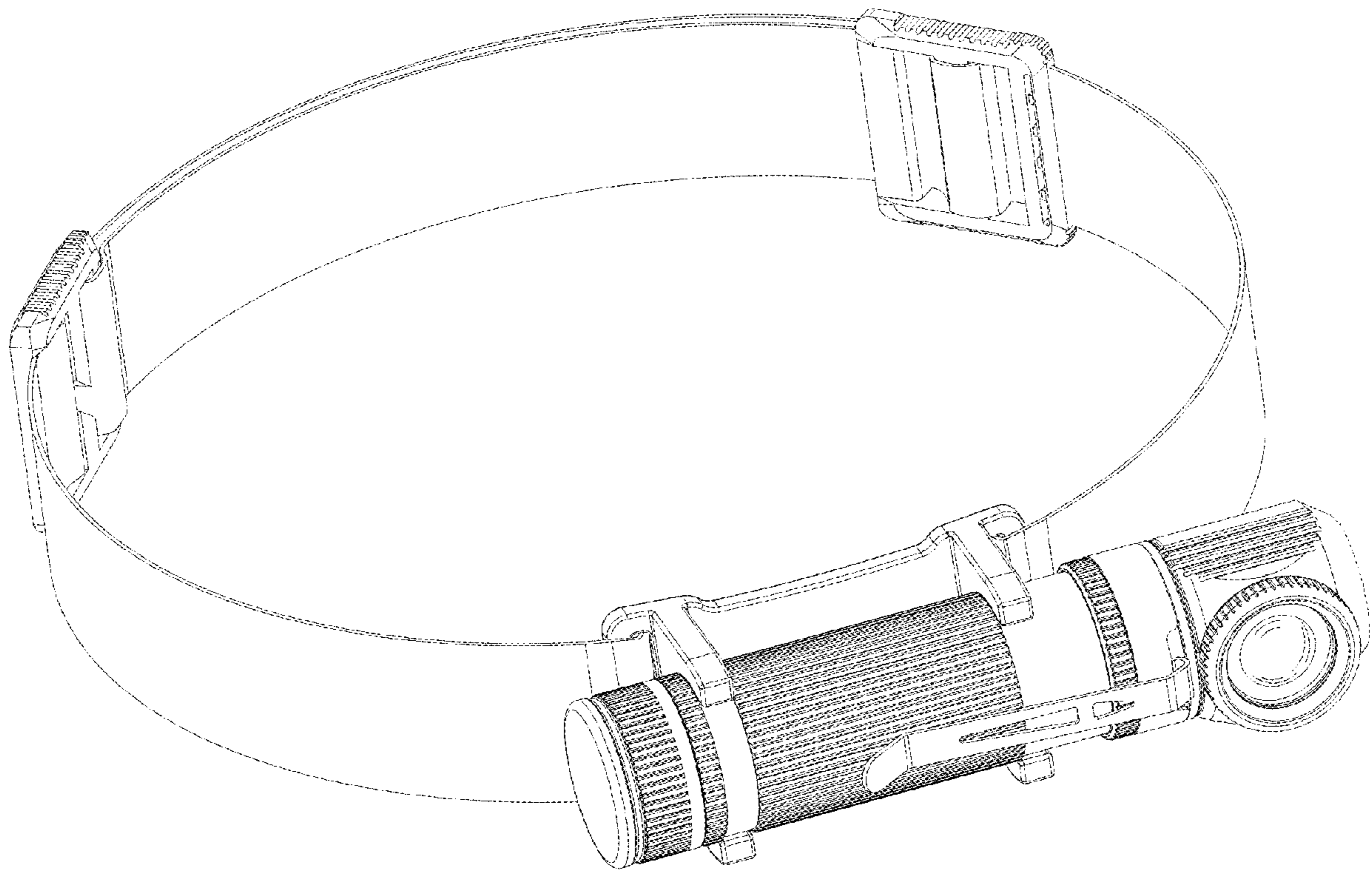


FIG. 7

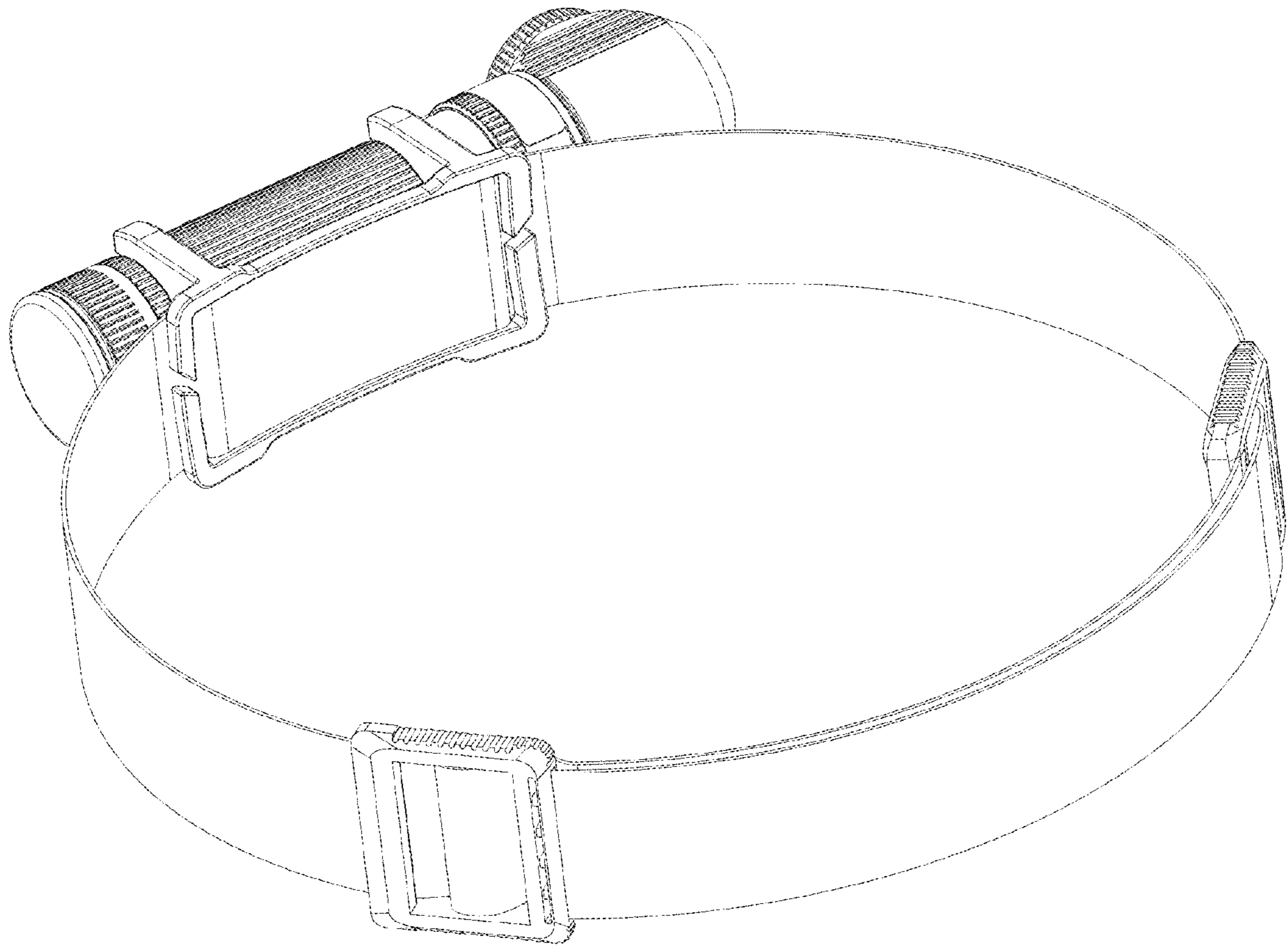


FIG. 8

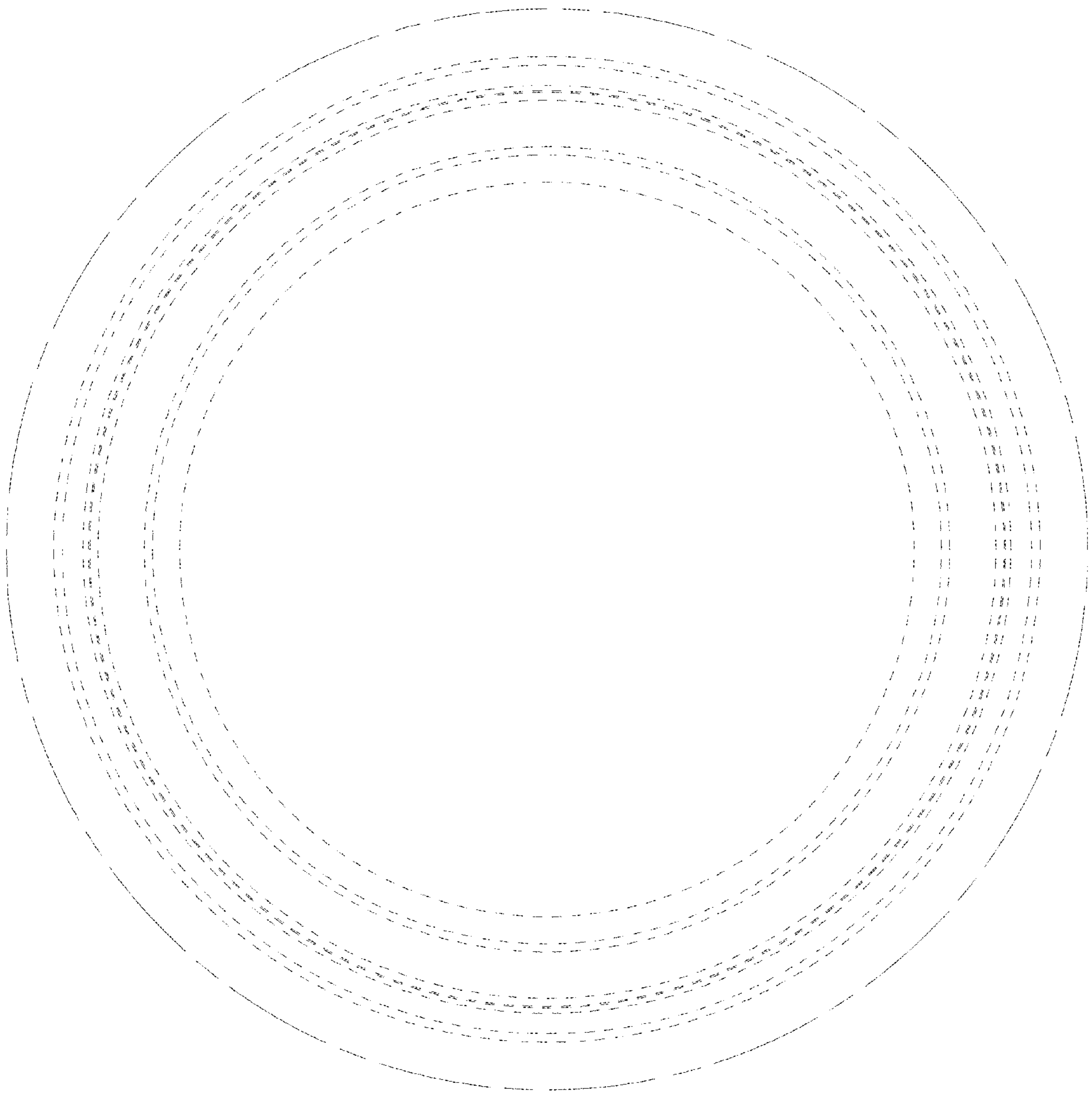


FIG. 9