



US00D954315S

(12) **United States Design Patent** (10) **Patent No.:** **US D954,315 S**  
**Blaemire** (45) **Date of Patent:** **\*\* \*Jun. 7, 2022**

(54) **FLASHLIGHT**

FOREIGN PATENT DOCUMENTS

(71) Applicant: **Arclite, Inc.**, Champaign, IL (US)

CN 300957592 \* 7/2009  
CN 302896906 \* 7/2014

(72) Inventor: **Gina Blaemire**, Lake Forest, IL (US)

(Continued)

(73) Assignee: **Arclite, Inc.**, Champaign, IL (US)

OTHER PUBLICATIONS

(\* ) Notice: This patent is subject to a terminal disclaimer.

Belinda Lanks, "A Flexible Flashlight That Looks Like A Friendly Worm," Sep. 7, 2012, fastcompany.com, site visited Oct. 28, 2021, URL: <https://www.fastcompany.com/1670734/a-flexible-flashlight-that-looks-like-a-friendly-worm> (Year: 2012).\*

(\*\*) Term: **15 Years**

(Continued)

(21) Appl. No.: **29/702,159**

*Primary Examiner* — Eric L Goodman

(22) Filed: **Aug. 16, 2019**

*Assistant Examiner* — Sarah L Smith

(51) **LOC (13) Cl.** ..... **26-02**

(74) *Attorney, Agent, or Firm* — Jansson Munger

(52) **U.S. Cl.**

McKinley & Kirby Ltd.

USPC ..... **D26/37**

(58) **Field of Classification Search**

(57) **CLAIM**

USPC ..... D26/37-44, 46-52, 67, 85, 87, 60, 61,  
D26/36, 25, 27, 113; D10/109.1,  
D10/111-115

The ornamental design for a flashlight, as shown and described.

CPC . F21L 4/022; F21L 4/045; F21L 4/027; F21L  
4/085; F21L 14/02; F21L 14/26

**DESCRIPTION**

See application file for complete search history.

FIG. 1 is a top, right front perspective view of a flashlight in accordance with the present invention; FIG. 2 is a top, left rear perspective view of the flashlight; FIG. 3 is a front view of the flashlight; FIG. 4 is a rear view of the flashlight; FIG. 5 is a left side view of the flashlight; FIG. 6 is a right side view of the flashlight; FIG. 7 is a top view of the flashlight; FIG. 8 is a bottom view of the flashlight; and, FIG. 9 is the top, left rear perspective view of the flashlight, but including an optional connector accessory in broken line.

(56) **References Cited**

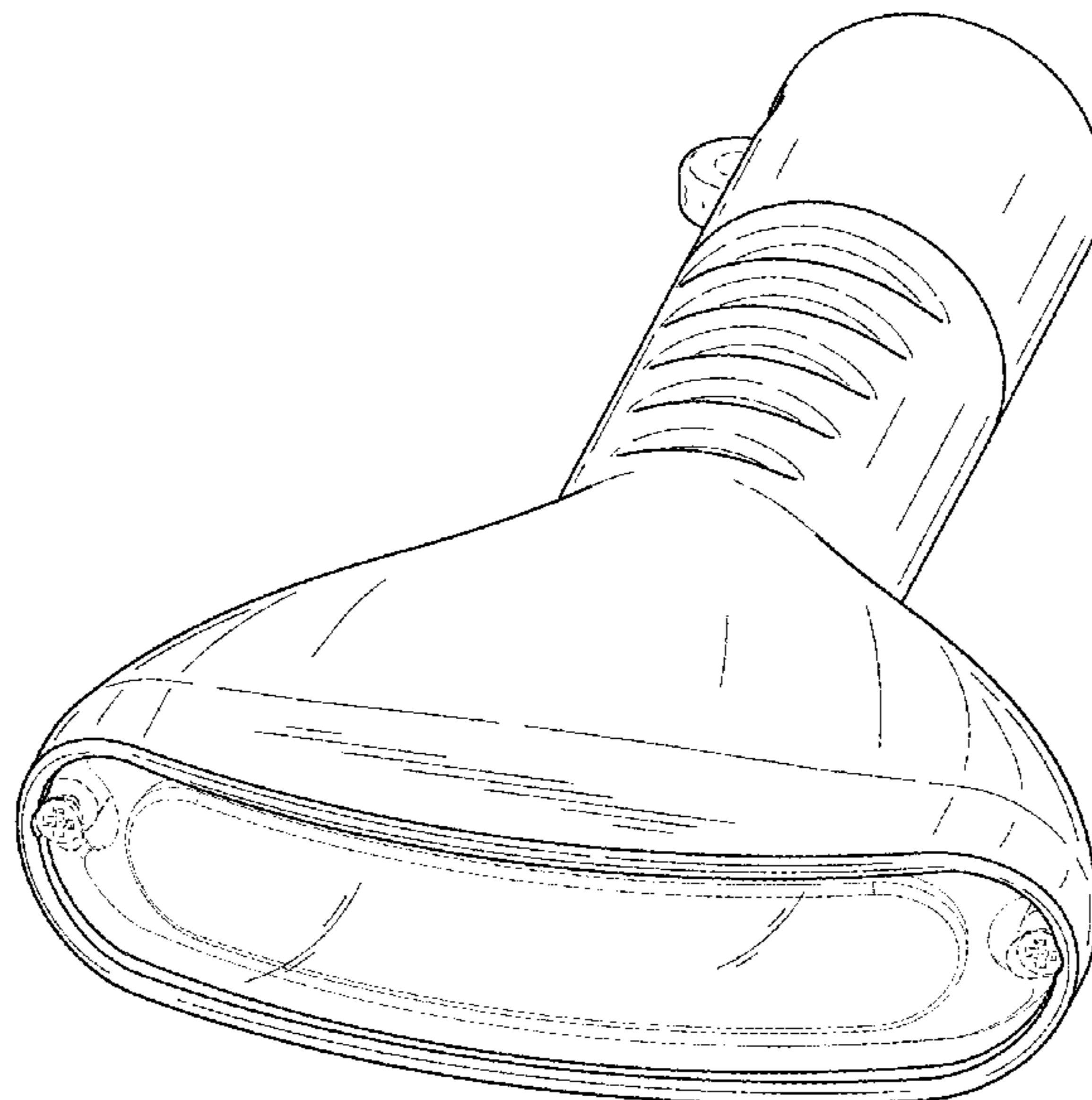
U.S. PATENT DOCUMENTS

D231,011 S 3/1974 Vic  
3,870,843 A \* 3/1975 Witte ..... F21V 23/0414  
200/302.2  
D296,477 S \* 6/1988 Powell ..... D26/46  
D374,734 S \* 10/1996 Esposito ..... D26/43  
D480,826 S 10/2003 Englert et al.  
D484,265 S \* 12/2003 Bruwer ..... D26/37  
D505,507 S 5/2005 Han-Shim  
D507,370 S \* 7/2005 Marshall ..... D26/37  
D511,586 S \* 11/2005 Yeh ..... D26/37  
D516,234 S \* 2/2006 Holsinger ..... D26/37  
D523,576 S 6/2006 Chen et al.

The broken lines shown represent portions of the article and form no part of the claimed design.

(Continued)

**1 Claim, 7 Drawing Sheets**



(56)

References Cited

U.S. PATENT DOCUMENTS

D548,388 S \* 8/2007 Cormier ..... D26/120  
 D561,366 S \* 2/2008 Wang ..... D26/37  
 D589,834 S \* 4/2009 Lyons ..... D10/114.1  
 D593,694 S 6/2009 Bent  
 D603,991 S \* 11/2009 Hiratsuka ..... D26/51  
 D607,130 S \* 12/2009 Hiratsuka ..... D26/44  
 D634,460 S \* 3/2011 Seal ..... D26/37  
 D635,291 S \* 3/2011 Dordoni ..... D26/85  
 D636,509 S \* 4/2011 Killion ..... D26/46  
 D636,510 S \* 4/2011 Killion ..... D26/46  
 D636,513 S 4/2011 Furtsch  
 D646,007 S 9/2011 Tompkin  
 D676,993 S 2/2013 Kotsis et al.  
 D693,041 S \* 11/2013 van der Lande ..... D26/46  
 D711,028 S \* 8/2014 Pritchett ..... D26/37  
 D715,473 S \* 10/2014 Killion ..... D26/46  
 9,458,985 B2 10/2016 Pritchett  
 D777,962 S \* 1/2017 Scott ..... D26/38  
 9,534,750 B2 1/2017 Pritchett  
 D788,342 S \* 5/2017 Beckett ..... D26/46  
 D790,099 S \* 6/2017 Pius ..... D26/46  
 D863,635 S \* 10/2019 Soo ..... D26/46  
 D922,636 S \* 6/2021 Pierson ..... D26/37  
 2005/0052862 A1 \* 3/2005 Bruwer ..... F21L 4/027  
 362/157  
 2006/0034070 A1 \* 2/2006 Kovacik ..... F21V 21/406  
 362/157  
 2007/0014103 A1 \* 1/2007 Teng ..... F21V 21/08  
 362/157  
 2007/0258235 A1 \* 11/2007 Brockel ..... F21V 7/28  
 362/190  
 2009/0129064 A1 \* 5/2009 Zeller ..... F21L 4/00  
 362/105  
 2009/0237920 A1 \* 9/2009 Dallas ..... G01J 3/10  
 362/184  
 2010/0046211 A1 \* 2/2010 Spartano ..... F21L 4/045  
 362/157  
 2013/0155667 A1 \* 6/2013 Yeh ..... F21L 4/027  
 362/187  
 2013/0215603 A1 \* 8/2013 Chien ..... F21L 4/027  
 362/183  
 2013/0215608 A1 \* 8/2013 Killion ..... F21L 4/005  
 362/198  
 2013/0301257 A1 11/2013 Britt et al.  
 2013/0308308 A1 \* 11/2013 Pritchett ..... F21L 4/005  
 362/184

2014/0321107 A1 \* 10/2014 Namors ..... F21V 13/08  
 362/184  
 2016/0033092 A1 \* 2/2016 Killion ..... F21V 7/0075  
 40/555  
 2016/0084453 A1 \* 3/2016 Borjanin ..... F21V 14/085  
 362/187

FOREIGN PATENT DOCUMENTS

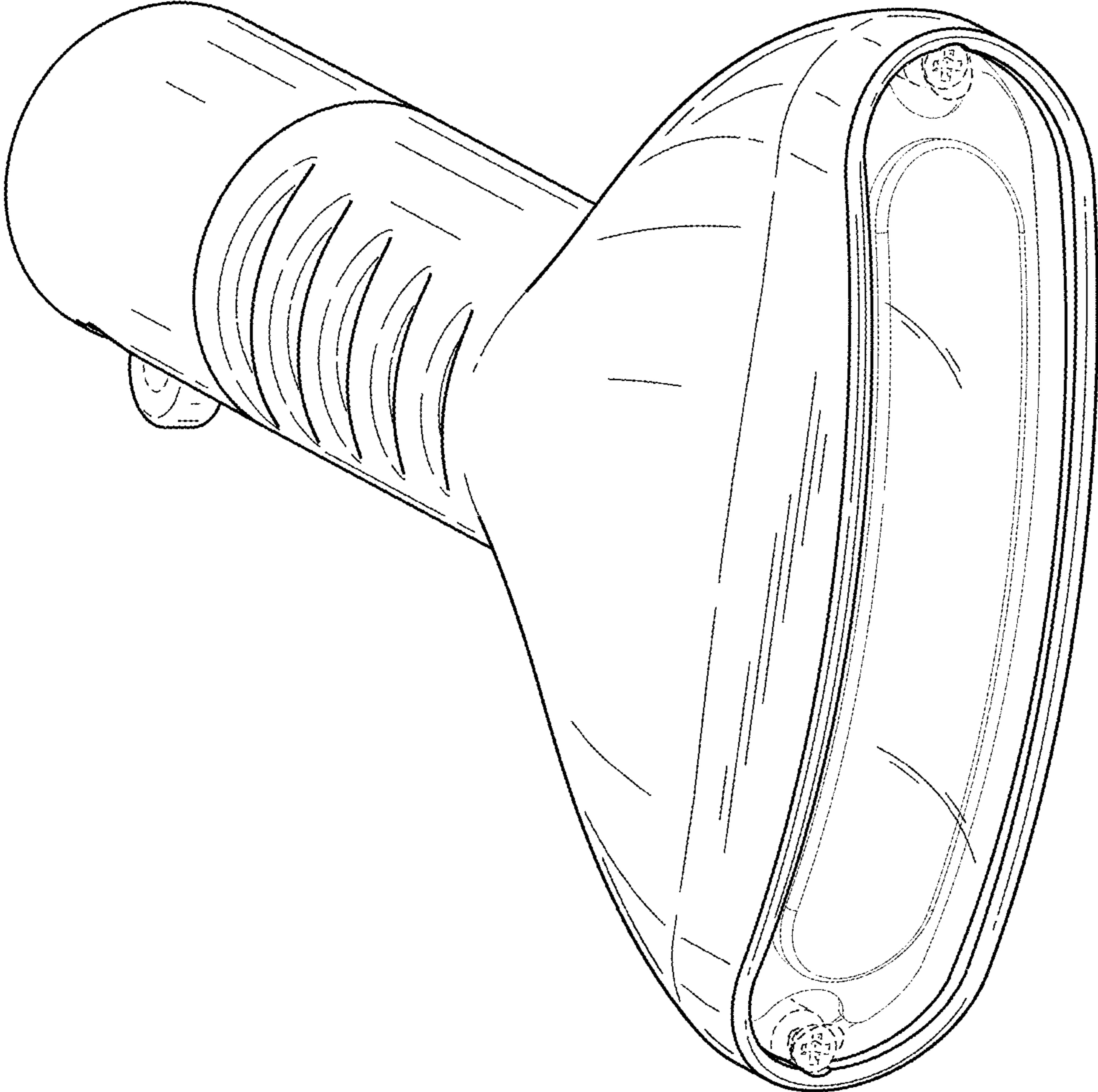
CN 104685289 6/2015  
 GB 1058148 \* 10/1989  
 GB 2061089 \* 3/1997  
 JP D1494932 \* 4/2014  
 WO 2013173661 A1 11/2013

OTHER PUBLICATIONS

Jamie Danielle Munro, "59 Futuristic Flashlights," Mar. 27, 2014, trendhunter.com, site visited Oct. 28, 2021, URL: <https://www.trendhunter.com/slideshow/compact-flashlights> (Year: 2014).  
 "Dorcy Wide Beam LED 850 Lumen Flashlight," Sep. 11, 2016, dorcy.com, site visited Oct. 28, 2021, URL: <https://www.dorcy.com/news/2016/09/11/dorcy-wide-beam-led-850-lumen-flashlight/> (Year: 2016).  
 "Triplelite 180 degree mini 259 lumens black led wide beam flashlight aa," Jan. 3, 2019, newegg.com, site visited Oct. 28, 2021, URL: <https://www.newegg.com/p/054-026F-00010> (Year: 2019).  
 Kikkerland Panther Vision PV-1000 Flashlight 1000 lm, Amazon.com, Date: Mar. 8, 2012.  
 Coleman-2D-Widebeam-Flashlight.product.pdf, QVC.com, Date: Downloaded from the Internet Nov. 27, 2018.  
 Coleman wide beam headlamp, BCFAustralia, YouTube, Date: Mar. 8, 2019.  
 TripleLite flashlight, Blair.com, Date: Downloaded from the Internet Nov. 27, 2018.  
 Dorcy, 850 Lumen Wide Beam LED Flashlight, Dorcy.com, Date: Sep. 11, 2016.  
 Dorcy, Battery Powered LED Wide Beam Flashlight, Homedepot.com, Date: Downloaded from the Internet Nov. 27, 2018.  
 Wide Beam LED Flashlight, Fox Valley Traders, Amazon.com, Date: Downloaded from the Internet Nov. 27, 2018. Document further shows: TripleLite 180 Degree Mini Flashlight, Dorcy 850 Lumen Wide Beam Flashlight, Dorcy 350 Lm Flashlight, and TripleLite 180 Degree Wide Beam Flashlight.  
 Coleman 2D Widebeam Flashlight, Amazon.com, Date: Downloaded from the Internet Nov. 27, 2018.  
 Coleman 2AA Widebeam Flashlight, Ebay.com, Date: Downloaded from the Internet Nov. 27, 2018.  
 Coleman wide beam krypton flashlight with a Fluorescent lantern, YouTube.com, Date: Jun. 9, 2013.

\* cited by examiner

FIG. 1



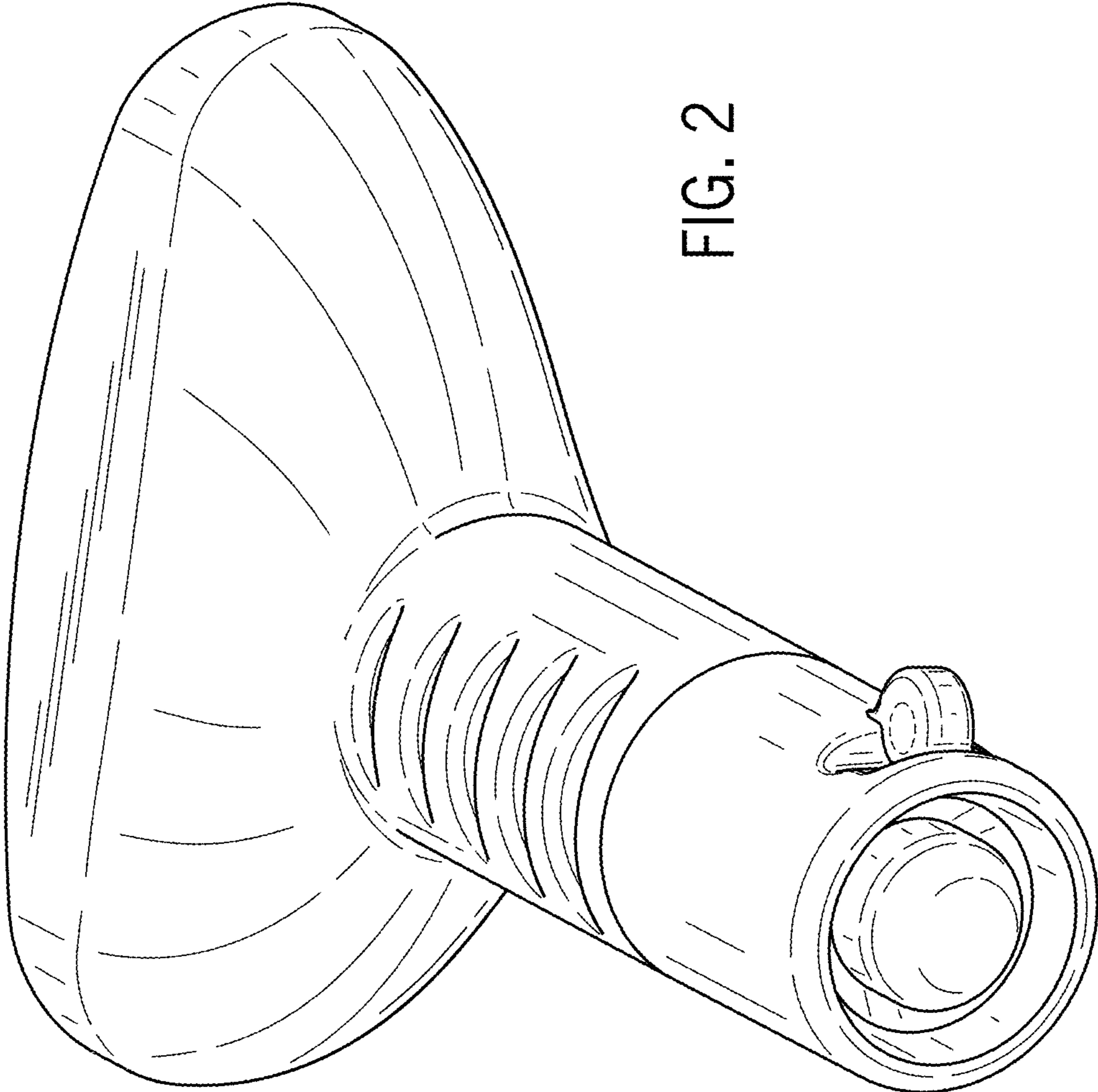


FIG. 2

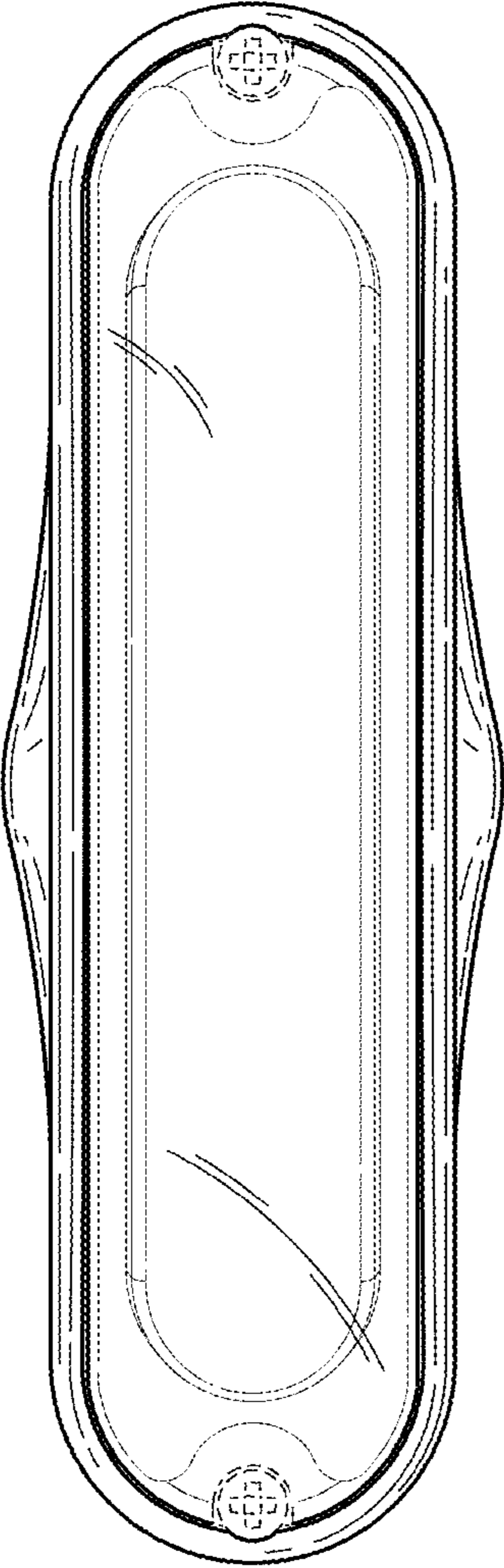


FIG. 3

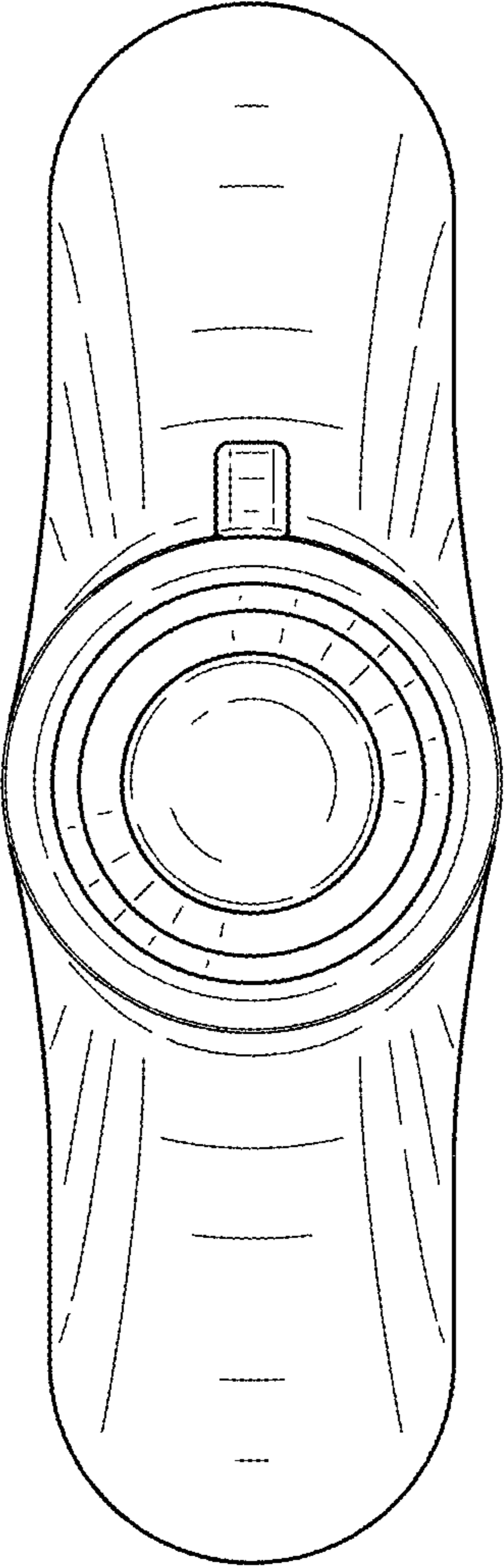


FIG. 4

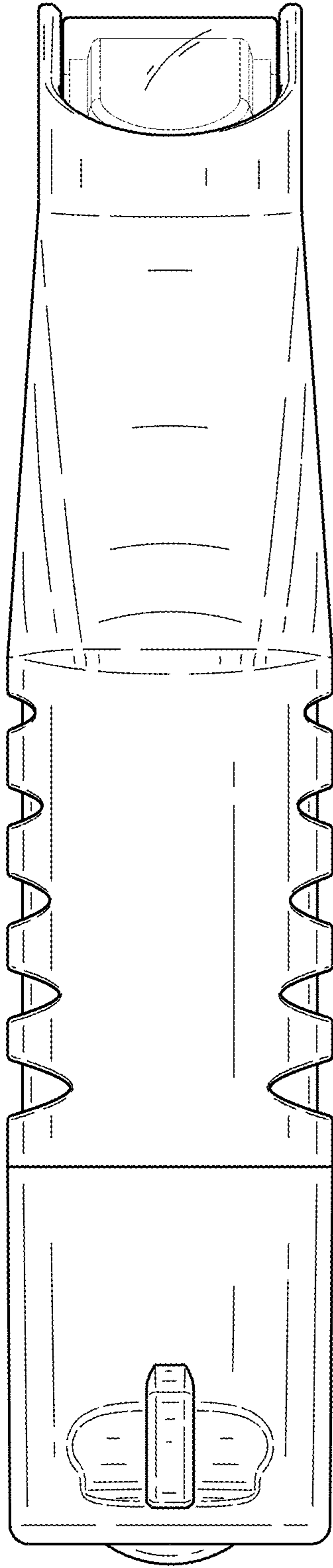


FIG. 5

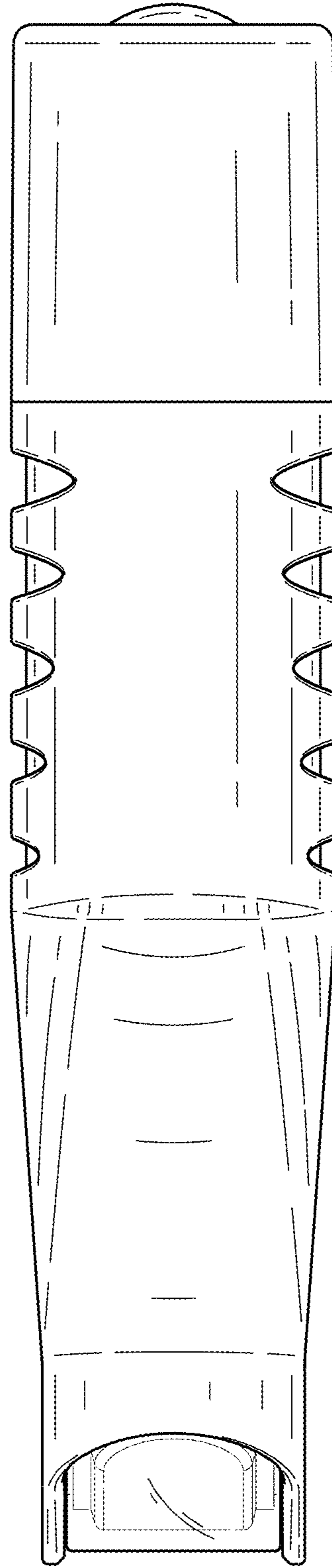


FIG. 6

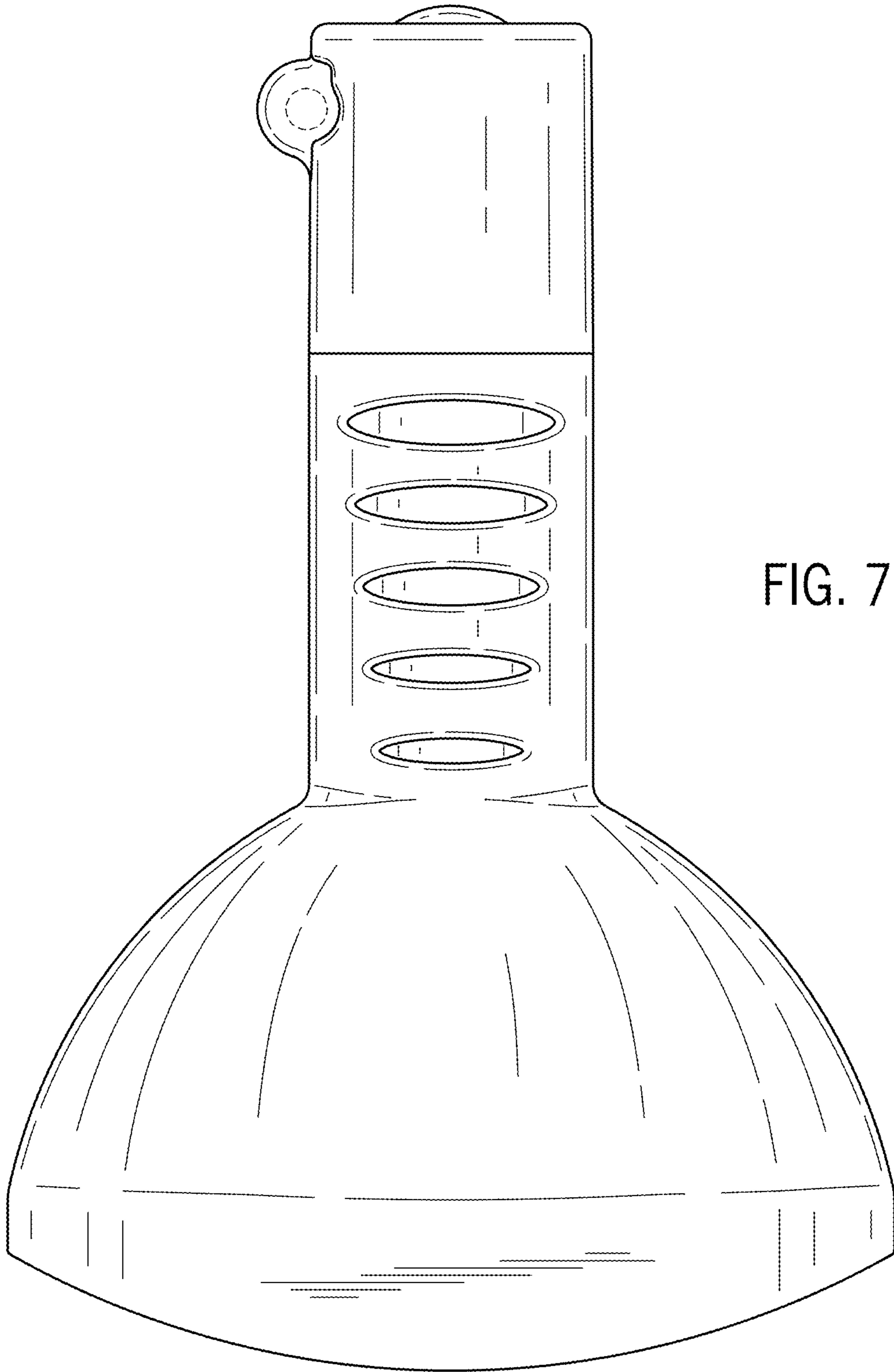


FIG. 7

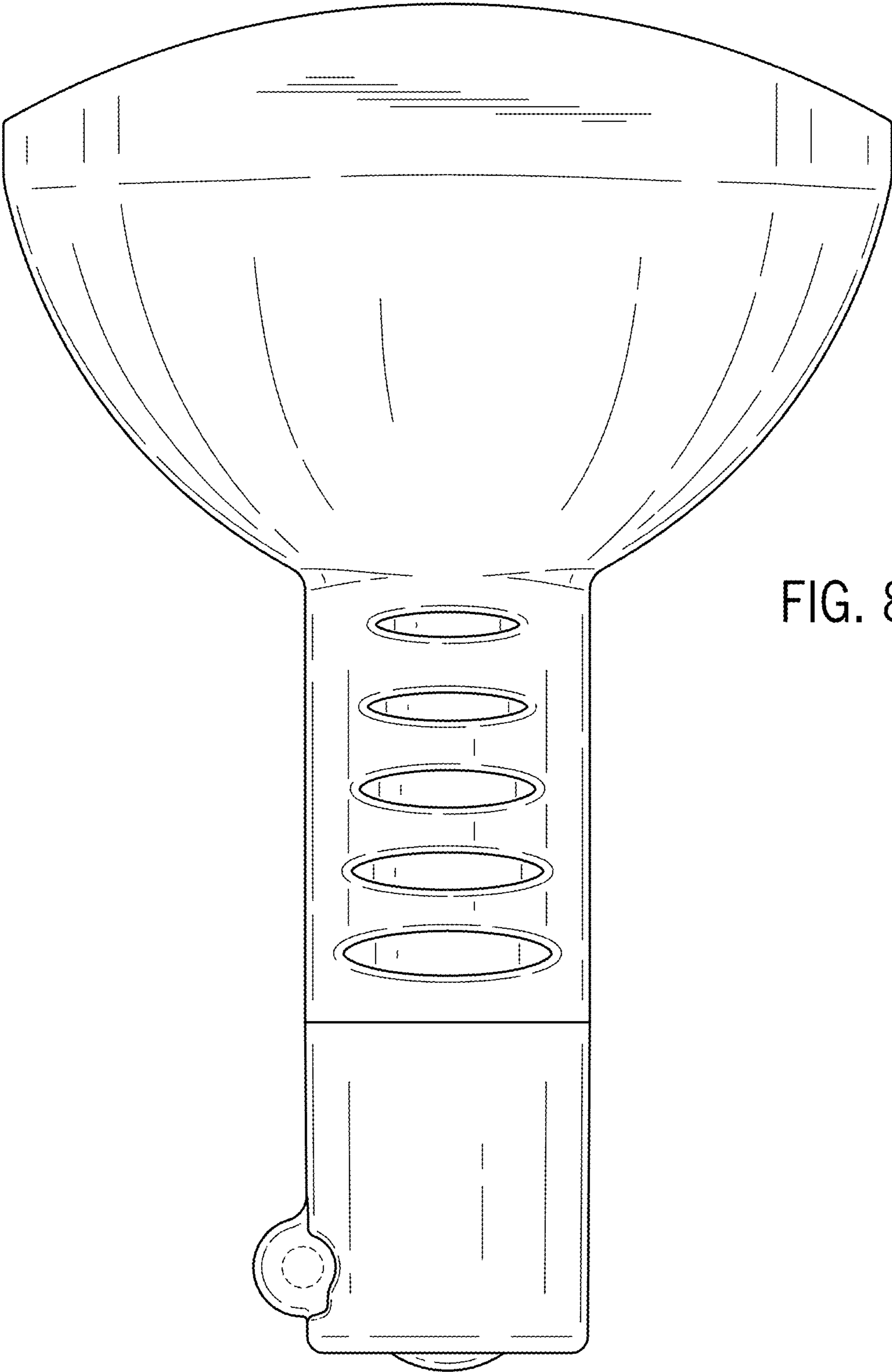


FIG. 8



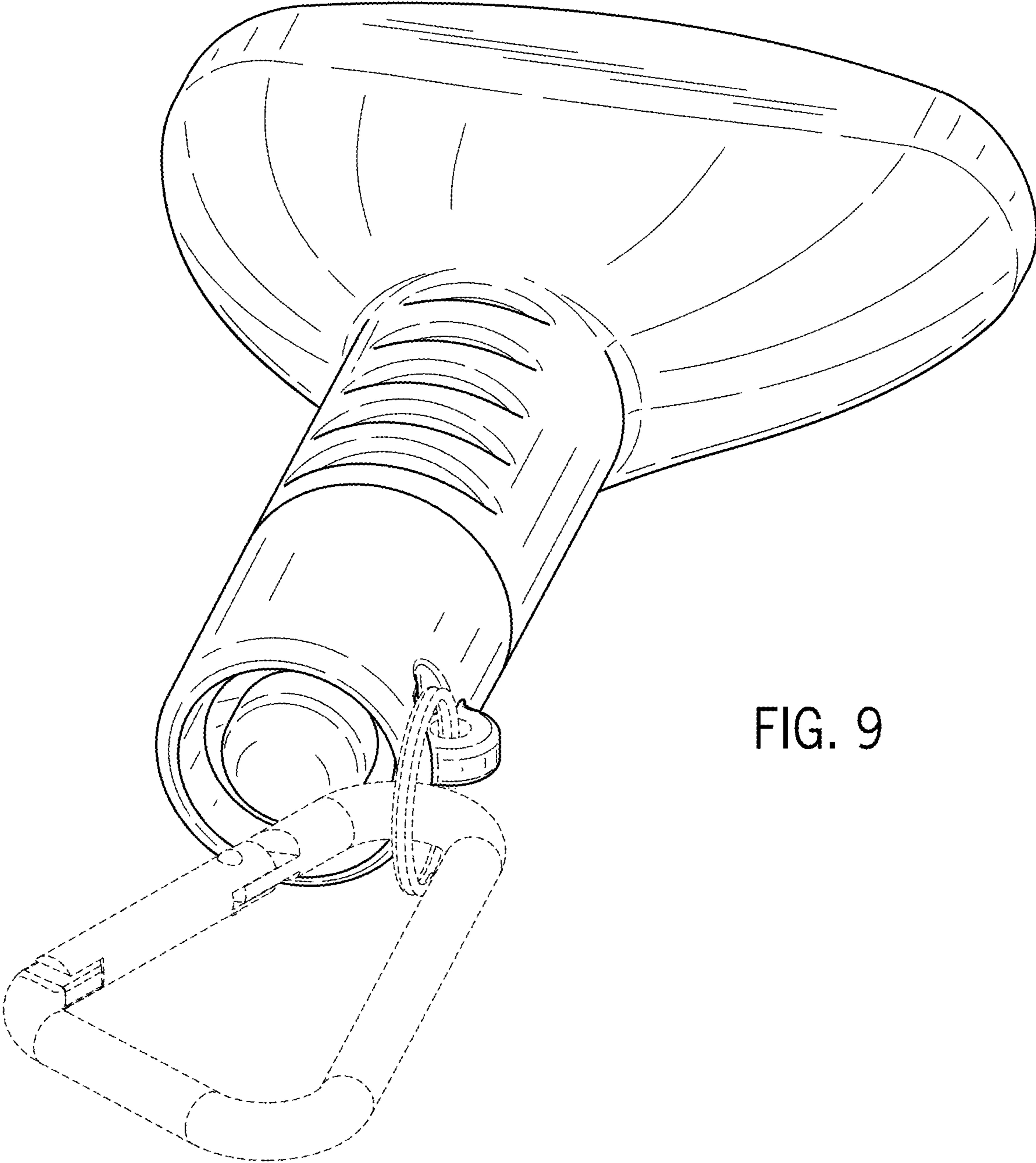


FIG. 9