



US00D954313S

(12) **United States Design Patent** (10) **Patent No.:** **US D954,313 S**  
**Blaemire** (45) **Date of Patent:** **\*\* Jun. 7, 2022**

(54) **FLASHLIGHT**

FOREIGN PATENT DOCUMENTS

(71) Applicant: **Arclite, Inc.**, Champaign, IL (US)

CN 300957592 \* 7/2009  
CN 302896906 \* 7/2014

(72) Inventor: **Gina Blaemire**, Lake Forest, IL (US)

(Continued)

(73) Assignee: **Arclite, Inc.**, Champaign, IL (US)

OTHER PUBLICATIONS

(\*\*) Term: **15 Years**

Belinda Lanks, "A Flexible Flashlight That Looks Like A Friendly Worm," Sep. 7, 2012, fastcompany.com, site visited Oct. 28, 2021, URL: <https://www.fastcompany.com/1670734/a-flexible-flashlight-that-looks-like-a-friendly-worm> (Year: 2012).\*

(21) Appl. No.: **29/702,150**

(Continued)

(22) Filed: **Aug. 16, 2019**

(51) **LOC (13) Cl.** ..... **26-02**

(52) **U.S. Cl.**

USPC ..... **D26/37**

(58) **Field of Classification Search**

USPC ..... D26/37-44, 46-52, 67, 85, 87, 60, 61,  
D26/36, 25, 27, 113; D10/109.1,  
D10/111-115

CPC . F21L 4/022; F21L 4/045; F21L 4/027; F21L  
4/085; F21L 14/02; F21L 14/26

See application file for complete search history.

*Primary Examiner* — Eric L Goodman

*Assistant Examiner* — Sarah L Smith

(74) *Attorney, Agent, or Firm* — Jansson Munger  
McKinley & Kirby Ltd.

(57) **CLAIM**

The ornamental design for a flashlight, as shown and described.

**DESCRIPTION**

(56) **References Cited**

U.S. PATENT DOCUMENTS

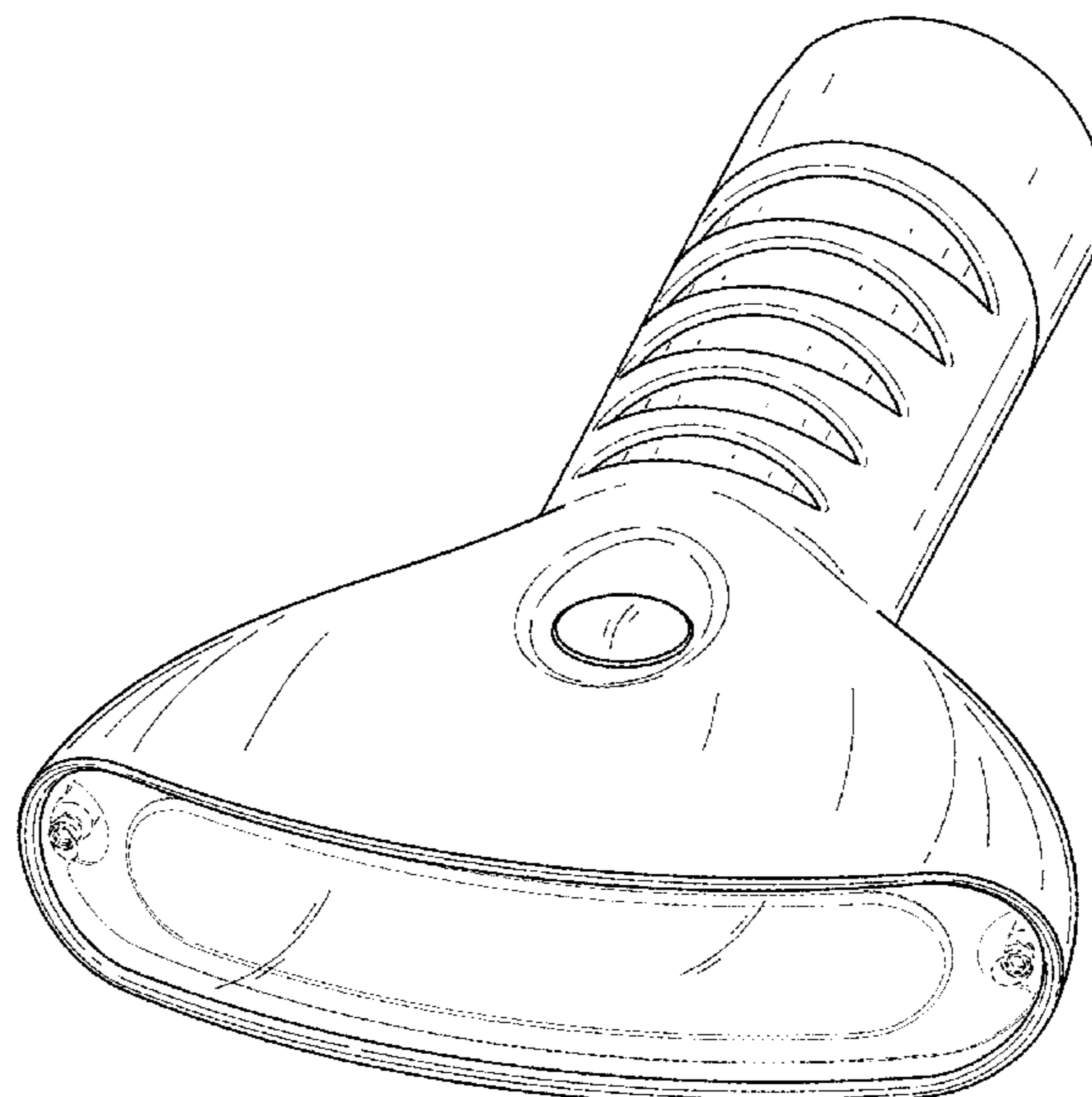
D231,011 S 3/1974 Vic  
3,870,843 A \* 3/1975 Witte ..... F21V 23/0414  
200/302.2  
D296,477 S \* 6/1988 Powell ..... D26/46  
D374,734 S \* 10/1996 Esposito ..... D26/43  
D480,826 S 10/2003 Englert et al.  
D484,265 S \* 12/2003 Bruwer ..... D26/37  
D505,507 S 5/2005 Han-Shim  
D507,370 S \* 7/2005 Marshall ..... D26/37  
D511,586 S \* 11/2005 Yeh ..... D26/37  
D516,234 S \* 2/2006 Holsinger ..... D26/37  
D523,576 S 6/2006 Chen et al.  
D548,388 S \* 8/2007 Cormier ..... D26/120  
D561,366 S \* 2/2008 Wang ..... D26/37

(Continued)

FIG. 1 is a top, right front perspective view of a flashlight in accordance with the present invention;  
FIG. 2 is a top, left rear perspective view of the flashlight;  
FIG. 3 is a front view of the flashlight;  
FIG. 4 is a rear view of the flashlight;  
FIG. 5 is a left side view of the flashlight;  
FIG. 6 is a right side view of the flashlight;  
FIG. 7 is a top view of the flashlight;  
FIG. 8 is a bottom view of the flashlight; and,  
FIG. 9 is the top, left rear perspective view of the flashlight, but including an optional connector accessory in broken line.

The broken lines shown represent portions of the article and form no part of the claimed design.

**1 Claim, 7 Drawing Sheets**



(56)

References Cited

U.S. PATENT DOCUMENTS

D589,834 S \* 4/2009 Lyons ..... D10/114.1  
 D593,694 S \* 6/2009 Bent  
 D603,991 S \* 11/2009 Hiratsuka ..... D26/51  
 D607,130 S \* 12/2009 Hiratsuka ..... D26/44  
 D634,460 S \* 3/2011 Seal ..... D26/37  
 D635,291 S \* 3/2011 Dordoni ..... D26/85  
 D636,509 S \* 4/2011 Killion ..... D26/46  
 D636,510 S \* 4/2011 Killion ..... D26/46  
 D636,513 S 4/2011 Furtsch  
 D646,007 S 9/2011 Tompkin  
 D676,993 S 2/2013 Kotsis et al.  
 D693,041 S \* 11/2013 van der Lande ..... D26/46  
 D711,028 S \* 8/2014 Pritchett ..... D26/37  
 D715,473 S \* 10/2014 Killion ..... D26/46  
 9,458,985 B2 10/2016 Pritchett  
 D777,962 S \* 1/2017 Scott ..... D26/38  
 9,534,750 B2 1/2017 Pritchett  
 D788,342 S \* 5/2017 Beckett ..... D26/46  
 D790,099 S \* 6/2017 Pius ..... D26/46  
 D863,635 S \* 10/2019 Soo ..... D26/46  
 D922,636 S \* 6/2021 Pierson ..... D26/37  
 2005/0052862 A1 \* 3/2005 Bruwer ..... F21L 4/027  
 362/157  
 2006/0034070 A1 \* 2/2006 Kovacic ..... F21V 21/406  
 362/157  
 2007/0014103 A1 \* 1/2007 Teng ..... F21V 21/08  
 362/157  
 2007/0258235 A1 \* 11/2007 Brockel ..... F21V 7/28  
 362/190  
 2009/0129064 A1 \* 5/2009 Zeller ..... F21L 4/00  
 362/105  
 2009/0237920 A1 \* 9/2009 Dallas ..... G01J 3/10  
 362/184  
 2010/0046211 A1 \* 2/2010 Spartano ..... F21L 4/045  
 362/157  
 2013/0155667 A1 \* 6/2013 Yeh ..... F21L 4/027  
 362/187  
 2013/0215603 A1 \* 8/2013 Chien ..... F21L 4/027  
 362/183  
 2013/0215608 A1 \* 8/2013 Killion ..... F21L 4/005  
 362/198  
 2013/0301257 A1 11/2013 Britt et al.  
 2013/0308308 A1 \* 11/2013 Pritchett ..... F21L 4/005  
 362/184  
 2014/0321107 A1 \* 10/2014 Namors ..... F21V 13/08  
 362/184  
 2016/0033092 A1 \* 2/2016 Killion ..... F21V 7/0075  
 40/555  
 2016/0084453 A1 \* 3/2016 Borjanin ..... F21V 14/085  
 362/187

FOREIGN PATENT DOCUMENTS

CN 104685289 6/2015  
 GB 1058148 \* 10/1989  
 GB 2061089 \* 3/1997  
 JP D1494932 \* 4/2014  
 WO 2013173661 A1 11/2013

OTHER PUBLICATIONS

Jamie Danielle Munro, "59 Futuristic Flashlights," Mar. 27, 2014, trendhunter.com, site visited Oct. 28, 2021, URL: <https://www.trendhunter.com/slideshow/compact-flashlights> (Year: 2014).\*

"Dorcy Wide Beam LED 850 Lumen Flashlight," Sep. 11, 2016, dorcy.com, site visited Oct. 28, 2021, URL: <https://www.dorcy.com/news/2016/09/11/dorcy-wide-beam-led-850-lumen-flashlight/> (Year: 2016).\*

"Triplelite 180 degree mini 259 lumens black led wide beam flashlight aa," Jan. 3, 2019, newegg.com, site visited Oct. 28, 2021, URL: <https://www.newegg.com/p/054-026F-00010> (Year: 2019).\*

Kikkerland Panther Vision PV-1000 Flashlight 1000 lm, Amazon.com, Date: Mar. 8, 2012.

Coleman-2D-Widebeam-Flashlight.product.pdf, QVC.com, Date: Downloaded from the Internet Nov. 27, 2018.

Coleman wide beam headlamp, BCFAustralia, YouTube, Date: Mar. 8, 2019.

TripleLite flashlight, Blair.com, Date: Downloaded from the Internet Nov. 27, 2018.

Dorcy, 850 Lumen Wide Beam LED Flashlight, Dorcy.com, Date: Sep. 11, 2016.

Dorcy, Battery Powered LED Wide Beam Flashlight, Homedepot.com, Date: Downloaded from the Internet Nov. 27, 2018.

Wide Beam LED Flashlight, Fox Valley Traders, Amazon.com, Date: Downloaded from the Internet Nov. 27, 2018. Document further shows: TripleLite 180 Degree Mini Flashlight, Dorcy 850 Lumen Wide Beam Flashlight, Dorcy 350 Lm Flashlight, and TripleLite 180 Degree Wide Beam Flashlight.

Coleman 2D Widebeam Flashlight, Amazon.com, Date: Downloaded from the Internet Nov. 27, 2018.

Coleman 2AA Widebeam Flashlight, Ebay.com, Date: Downloaded from the Internet Nov. 27, 2018.

Coleman wide beam krypton flashlight with a Fluorescent lantern, YouTube.com, Date: Jun. 9, 2013.

\* cited by examiner

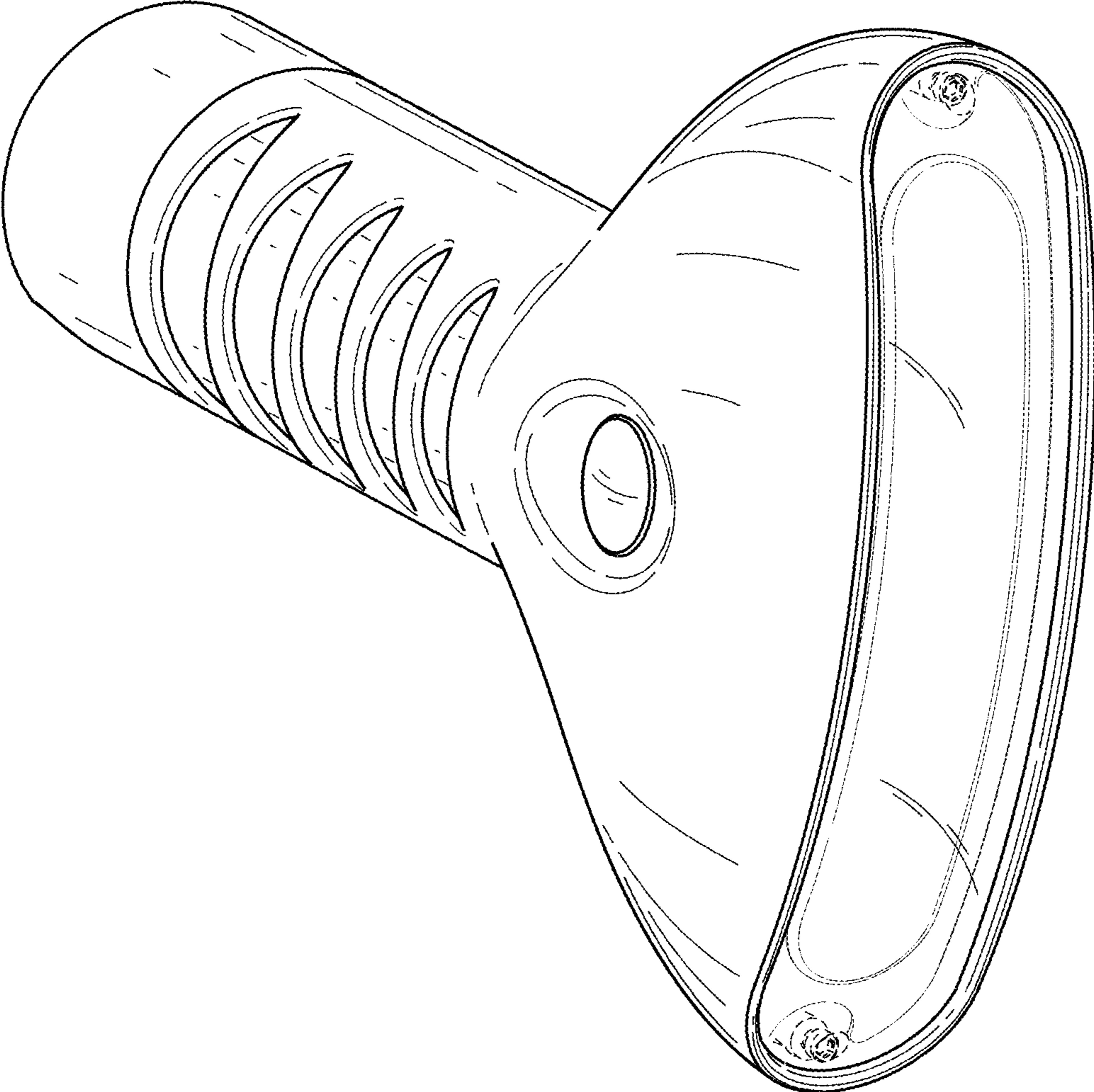


FIG. 1

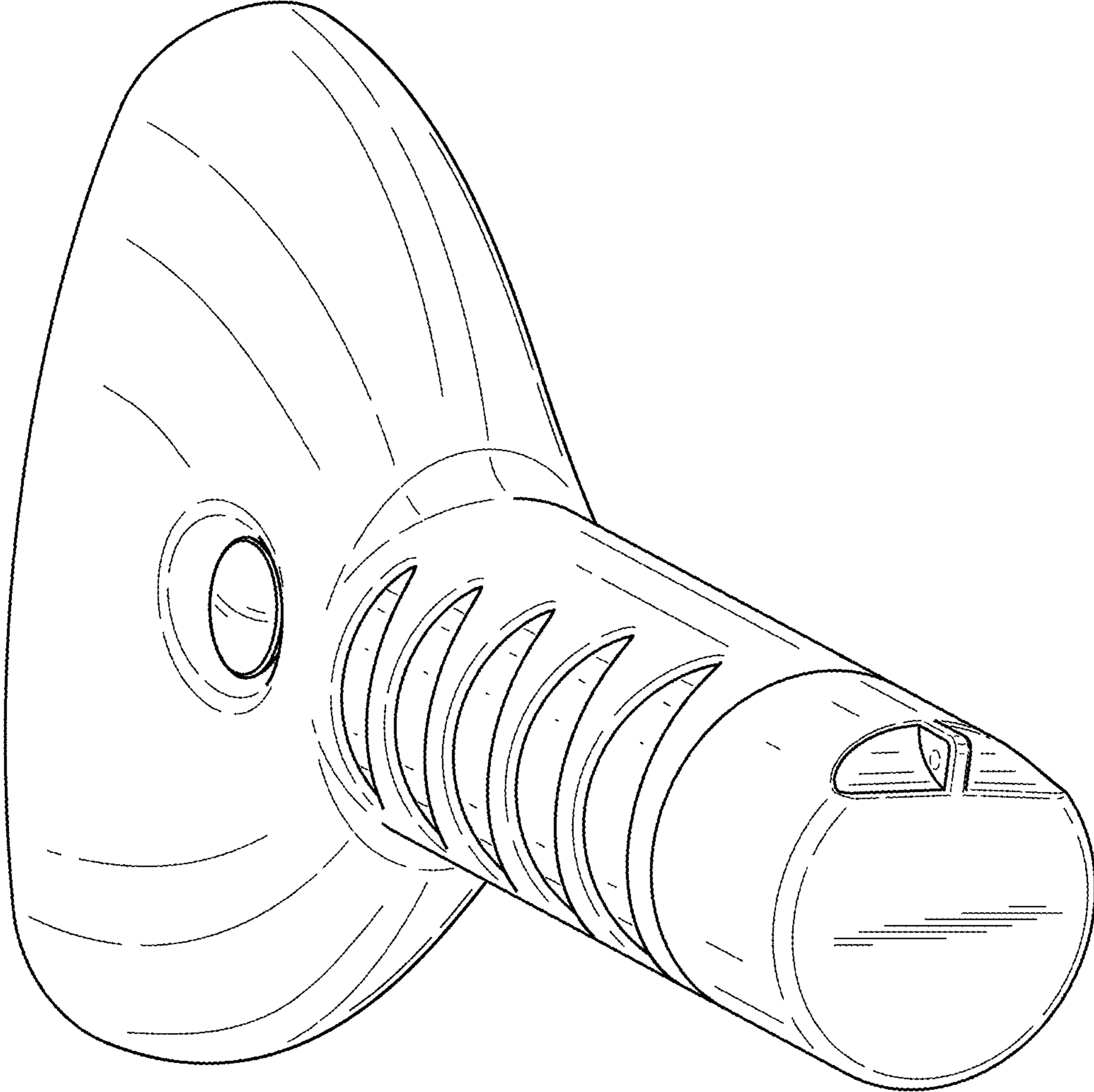


FIG. 2

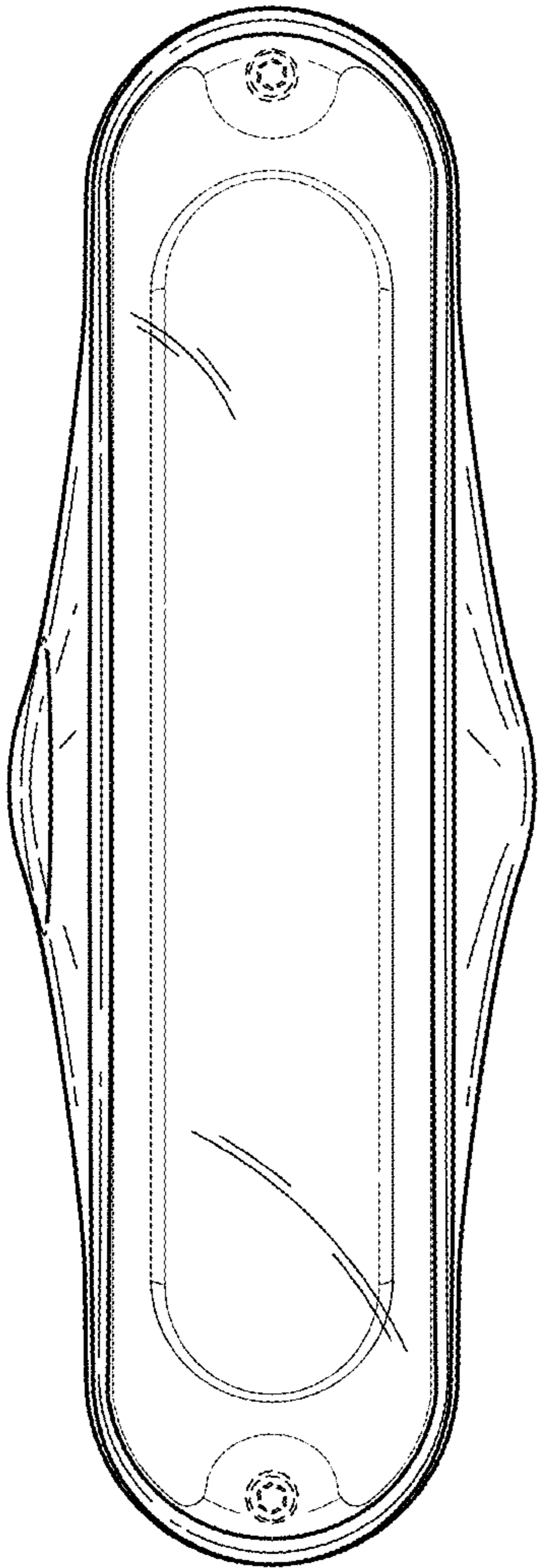


FIG. 3

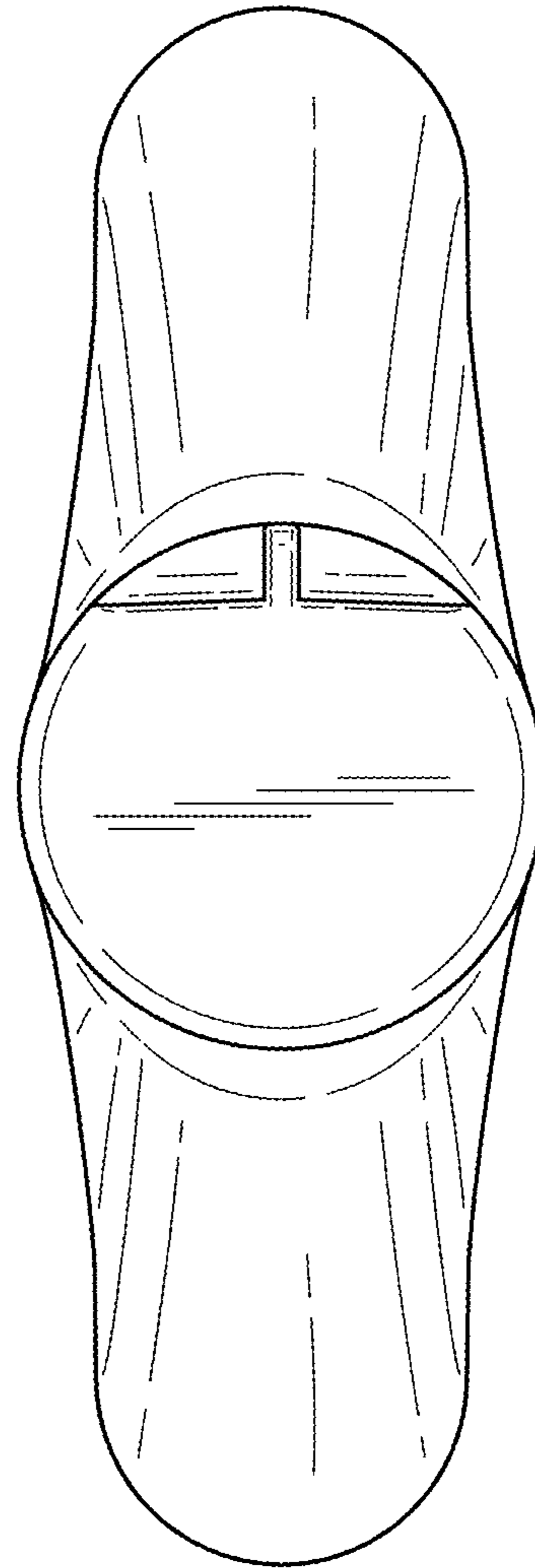


FIG. 4

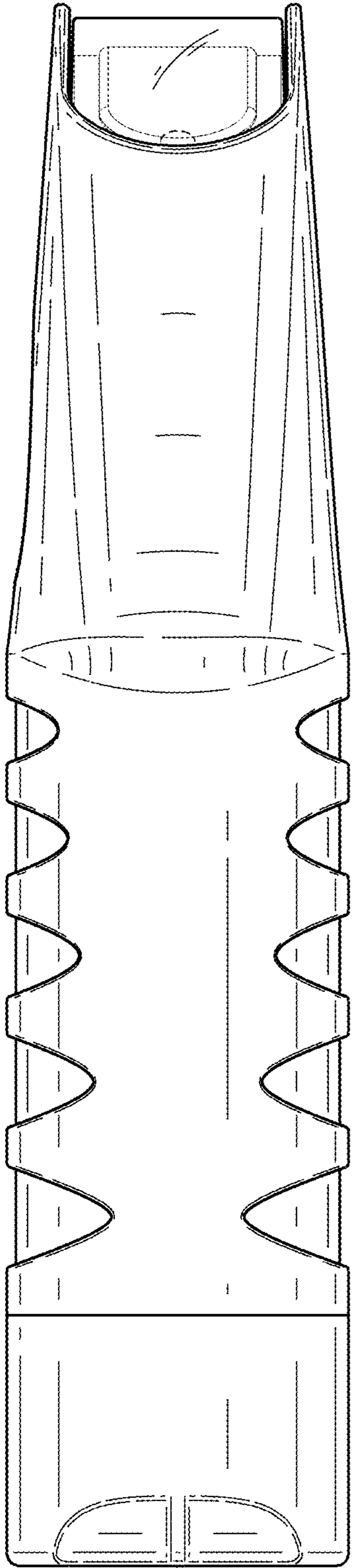


FIG. 5

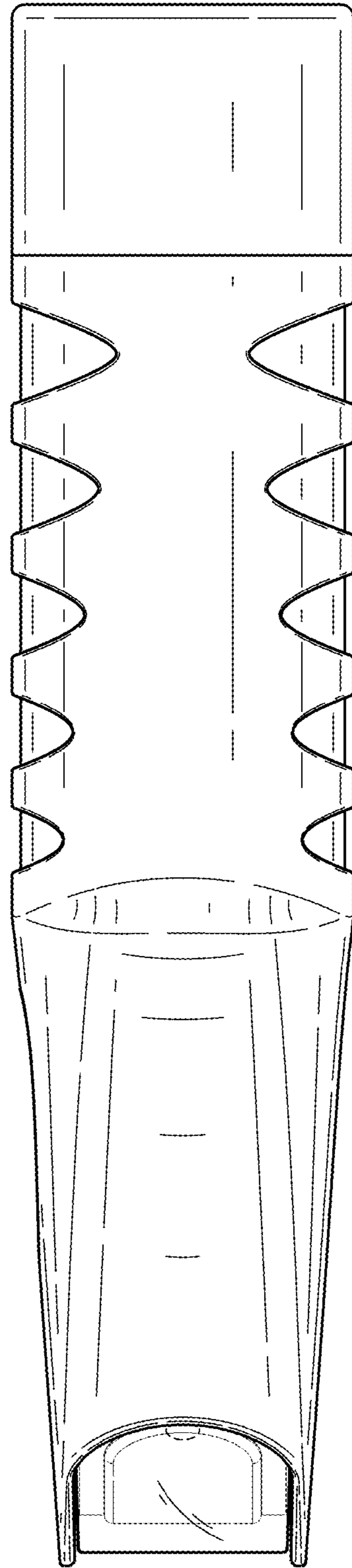


FIG. 6

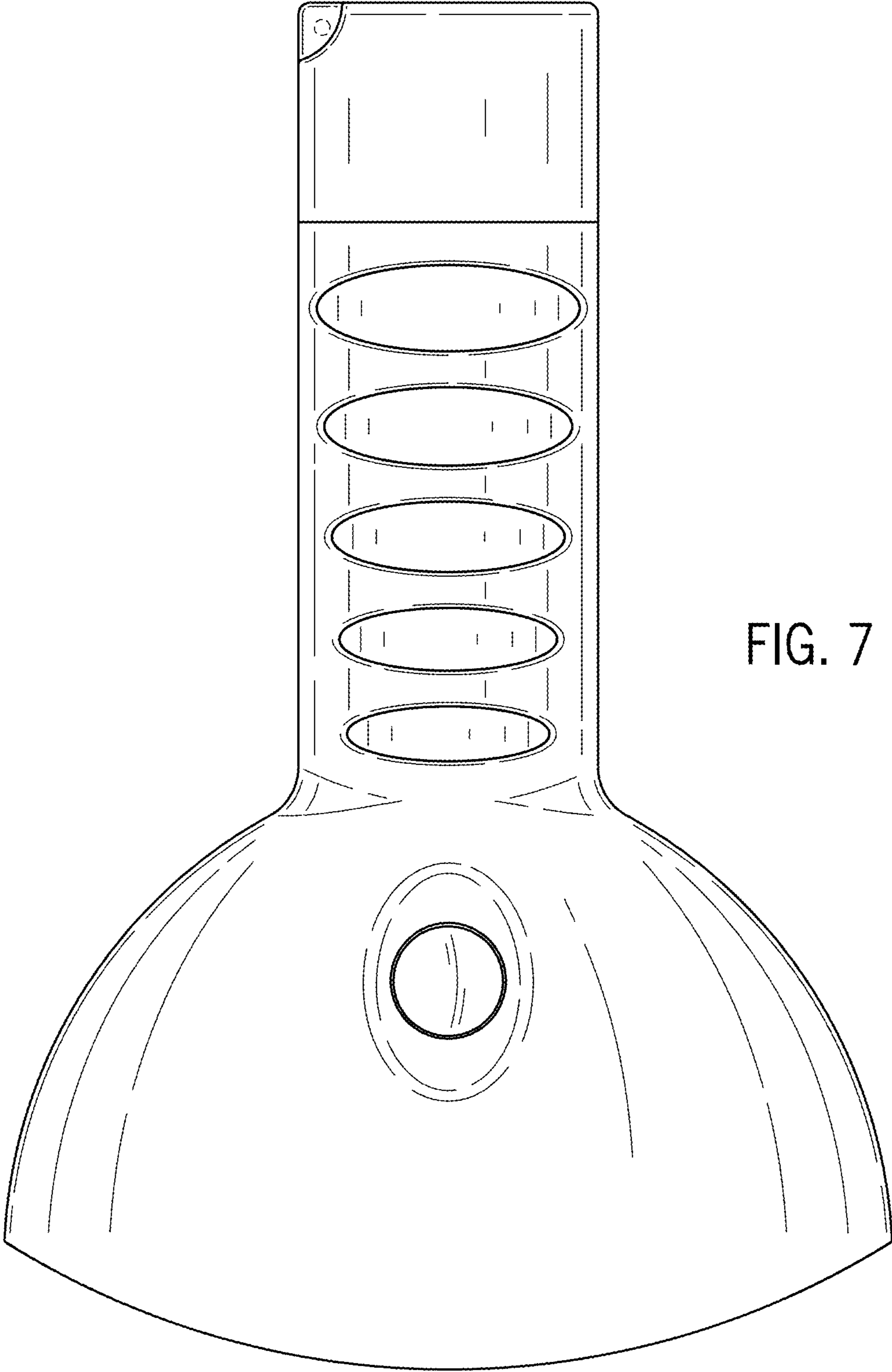


FIG. 7

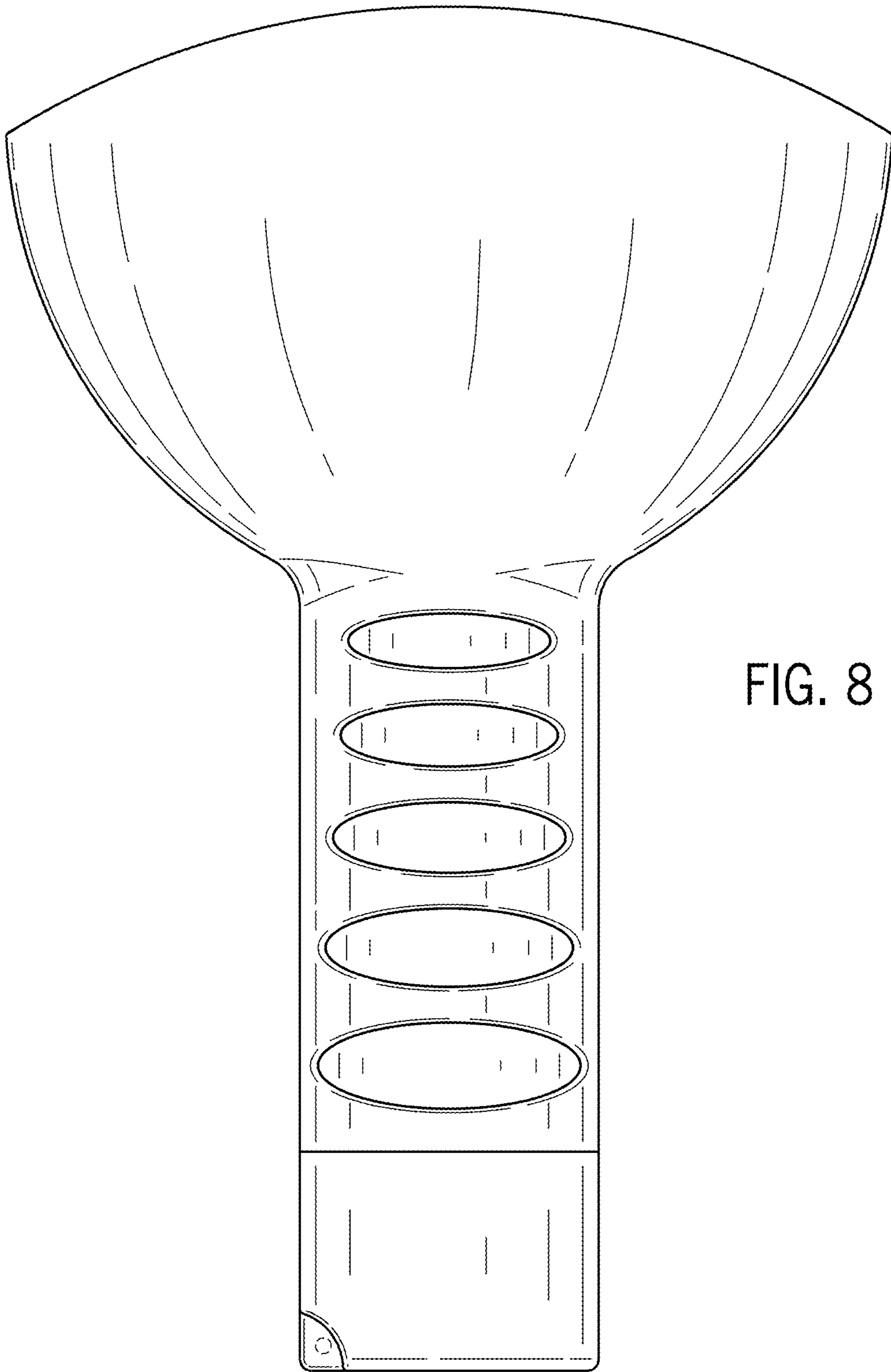


FIG. 8



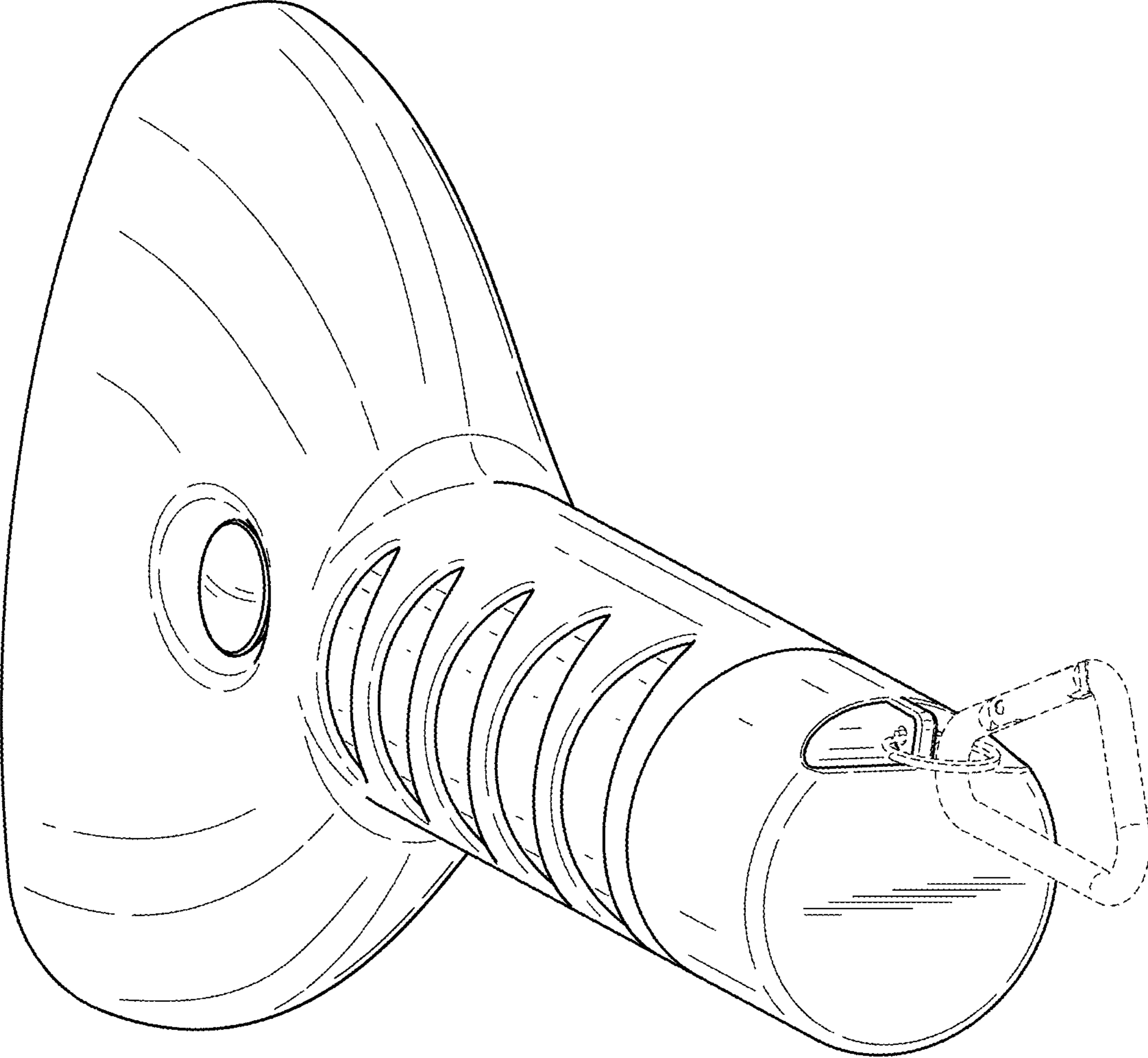


FIG. 9