



US00D954312S

(12) **United States Design Patent** (10) **Patent No.:** **US D954,312 S**
Blaemire (45) **Date of Patent:** **** Jun. 7, 2022**

(54) **FLASHLIGHT**

FOREIGN PATENT DOCUMENTS

(71) Applicant: **Arclite, Inc.**, Champaign, IL (US)

CN 300957592 * 7/2009
CN 302896906 * 7/2014

(72) Inventor: **Gina Blaemire**, Lake Forest, IL (US)

(Continued)

(73) Assignee: **Arclite, Inc.**, Champaign, IL (US)

OTHER PUBLICATIONS

(**) Term: **15 Years**

Belinda Lanks, "A Flexible Flashlight That Looks Like A Friendly Worm," Sep. 7, 2012, fastcompany.com, site visited Oct. 28, 2021, URL: <https://www.fastcompany.com/1670734/a-flexible-flashlight-that-looks-like-a-friendly-worm> (Year: 2012).*

(21) Appl. No.: **29/702,145**

(Continued)

(22) Filed: **Aug. 16, 2019**

(51) **LOC (13) Cl.** **26-02**

(52) **U.S. Cl.**

USPC **D26/37**

(58) **Field of Classification Search**

USPC D26/37-44, 46-52, 67, 85, 87, 60, 61,
D26/36, 25, 27, 113; D10/109.1,
D10/111-115

CPC . F21L 4/022; F21L 4/045; F21L 4/027; F21L
4/085; F21L 14/02; F21L 14/26

See application file for complete search history.

Primary Examiner — Eric L Goodman

Assistant Examiner — Sarah L Smith

(74) *Attorney, Agent, or Firm* — Jansson Munger;
McKinley & Kirby Ltd.

(57) **CLAIM**

The ornamental design for a flashlight, as shown and described.

DESCRIPTION

(56) **References Cited**

U.S. PATENT DOCUMENTS

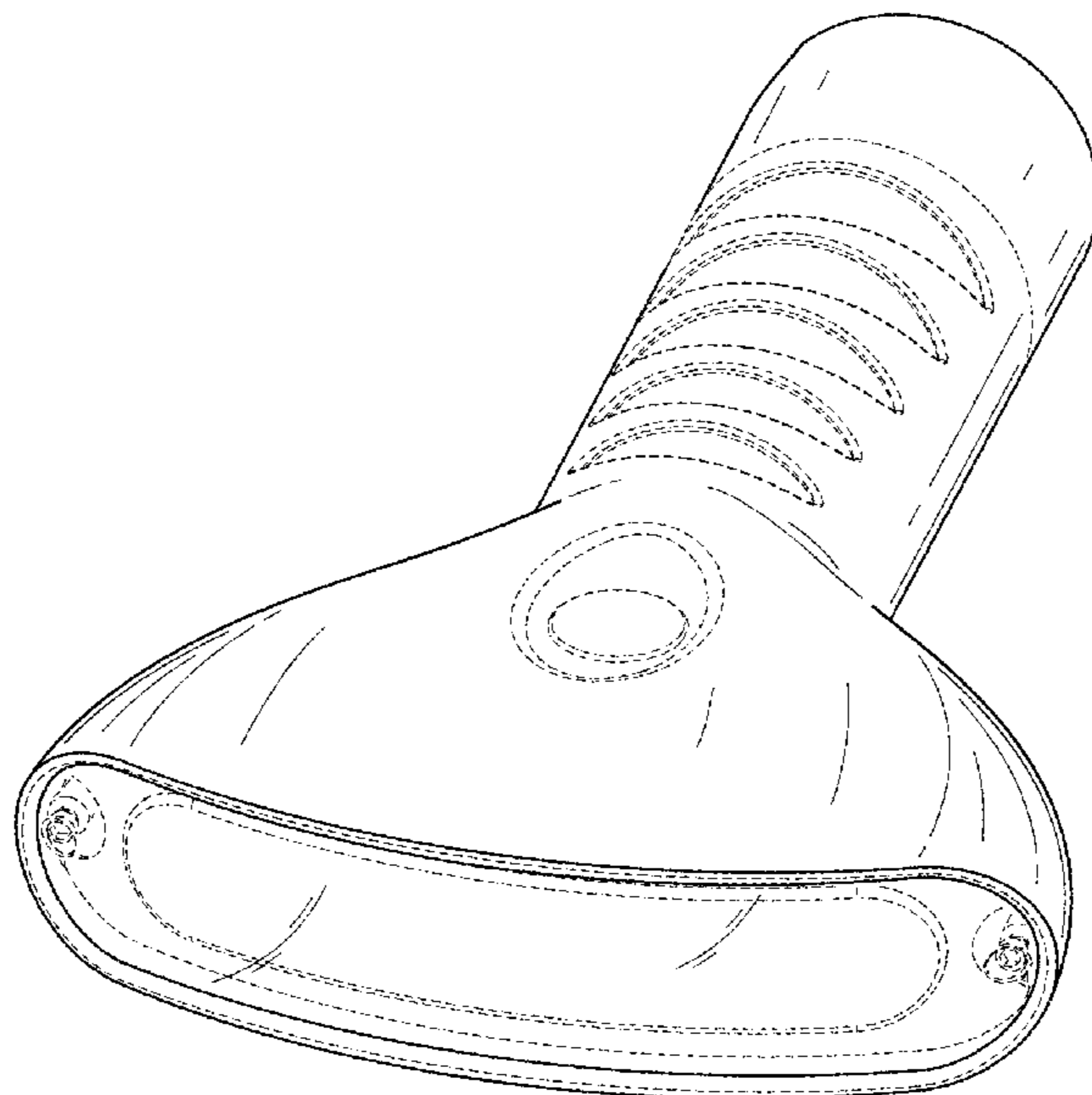
D231,011 S 3/1974 Vic
3,870,843 A * 3/1975 Witte F21V 23/0414
200/302.2
D296,477 S * 6/1988 Powell D26/46
D374,734 S * 10/1996 Esposito D26/43
D480,826 S 10/2003 Englert et al.
D484,265 S * 12/2003 Bruwer D26/37
D505,507 S 5/2005 Han-Shim
D507,370 S * 7/2005 Marshall D26/37
D511,586 S * 11/2005 Yeh D26/37
D516,234 S * 2/2006 Holsinger D26/37
D523,576 S 6/2006 Chen et al.
D548,388 S * 8/2007 Cormier D26/120
D561,366 S * 2/2008 Wang D26/37

(Continued)

FIG. 1 is a top, right front perspective view of a flashlight in accordance with the present invention;
FIG. 2 is a top, left rear perspective view of the flashlight;
FIG. 3 is a front view of the flashlight;
FIG. 4 is a rear view of the flashlight;
FIG. 5 is a left side view of the flashlight;
FIG. 6 is a right side view of the flashlight;
FIG. 7 is a top view of the flashlight;
FIG. 8 is a bottom view of the flashlight; and,
FIG. 9 is the top, left rear perspective view of the flashlight, but including an optional connector accessory in broken line.

The broken lines shown represent portions of the article and form no part of the claimed design.

1 Claim, 7 Drawing Sheets



(56)

References Cited

U.S. PATENT DOCUMENTS

D589,834 S * 4/2009 Lyons D10/114.1
 D593,694 S * 6/2009 Bent
 D603,991 S * 11/2009 Hiratsuka D26/51
 D607,130 S * 12/2009 Hiratsuka D26/44
 D634,460 S * 3/2011 Seal D26/37
 D635,291 S * 3/2011 Dordoni D26/85
 D636,509 S * 4/2011 Killion D26/46
 D636,510 S * 4/2011 Killion D26/46
 D636,513 S 4/2011 Furtsch
 D646,007 S 9/2011 Tompkin
 D676,993 S 2/2013 Kotsis et al.
 D693,041 S * 11/2013 van der Lande D26/46
 D711,028 S * 8/2014 Pritchett D26/37
 D715,473 S * 10/2014 Killion D26/46
 9,458,985 B2 10/2016 Pritchett
 D777,962 S * 1/2017 Scott D26/38
 9,534,750 B2 1/2017 Pritchett
 D788,342 S * 5/2017 Beckett D26/46
 D790,099 S * 6/2017 Pius D26/46
 D863,635 S * 10/2019 Soo D26/46
 D922,636 S * 6/2021 Pierson D26/37
 2005/0052862 A1 * 3/2005 Bruwer F21L 4/027
 362/157
 2006/0034070 A1 * 2/2006 Kovacic F21V 21/406
 362/157
 2007/0014103 A1 * 1/2007 Teng F21V 21/08
 362/157
 2007/0258235 A1 * 11/2007 Brockel F21V 7/28
 362/190
 2009/0129064 A1 * 5/2009 Zeller F21L 4/00
 362/105
 2009/0237920 A1 * 9/2009 Dallas G01J 3/10
 362/184
 2010/0046211 A1 * 2/2010 Spartano F21L 4/045
 362/157
 2013/0155667 A1 * 6/2013 Yeh F21L 4/027
 362/187
 2013/0215603 A1 * 8/2013 Chien F21L 4/027
 362/183
 2013/0215608 A1 * 8/2013 Killion F21L 4/005
 362/198
 2013/0301257 A1 11/2013 Britt et al.
 2013/0308308 A1 * 11/2013 Pritchett F21L 4/005
 362/184
 2014/0321107 A1 * 10/2014 Namors F21V 13/08
 362/184
 2016/0033092 A1 * 2/2016 Killion F21V 7/0075
 40/555
 2016/0084453 A1 * 3/2016 Borjanin F21V 14/085
 362/187

FOREIGN PATENT DOCUMENTS

CN 104685289 6/2015
 GB 1058148 * 10/1989
 GB 2061089 * 3/1997
 JP D1494932 * 4/2014
 WO 2013173661 A1 11/2013

OTHER PUBLICATIONS

Jamie Danielle Munro, "59 Futuristic Flashlights," Mar. 27, 2014, trendhunter.com, site visited Oct. 28, 2021, URL: <https://www.trendhunter.com/slideshow/compact-flashlights> (Year: 2014).*

"Dorcy Wide Beam LED 850 Lumen Flashlight," Sep. 11, 2016, dorcy.com, site visited Oct. 28, 2021, URL: <https://www.dorcy.com/news/2016/09/11/dorcy-wide-beam-led-850-lumen-flashlight/> (Year: 2016).*

"Triplelite 180 degree mini 259 lumens black led wide beam flashlight aa," Jan. 3, 2019, newegg.com, site visited Oct. 28, 2021, URL: <https://www.newegg.com/p/054-026F-00010> (Year: 2019).*

Kikkerland Panther Vision PV-1000 Flashlight 1000 lm, Amazon.com, Date: Mar. 8, 2012.

Coleman-2D-Widebeam-Flashlight.product.pdf, QVC.com, Date: Downloaded from the Internet Nov. 27, 2018.

Coleman wide beam headlamp, BCFAustralia, YouTube, Date: Mar. 8, 2019.

TripleLite flashlight, Blair.com, Date: Downloaded from the Internet Nov. 27, 2018.

Dorcy, 850 Lumen Wide Beam LED Flashlight, Dorcy.com, Date: Sep. 11, 2016.

Dorcy, Battery Powered LED Wide Beam Flashlight, Homedepot.com, Date: Downloaded from the Internet Nov. 27, 2018.

Wide Beam LED Flashlight, Fox Valley Traders, Amazon.com, Date: Downloaded from the Internet Nov. 27, 2018. Document further shows: TripleLite 180 Degree Mini Flashlight, Dorcy 850 Lumen Wide Beam Flashlight, Dorcy 350 Lm Flashlight, and TripleLite 180 Degree Wide Beam Flashlight.

Coleman 2D Widebeam Flashlight, Amazon.com, Date: Downloaded from the Internet Nov. 27, 2018.

Coleman 2AA Widebeam Flashlight, Ebay.com, Date: Downloaded from the Internet Nov. 27, 2018.

Coleman wide beam krypton flashlight with a Fluorescent lantern, YouTube.com, Date: Jun. 9, 2013.

* cited by examiner

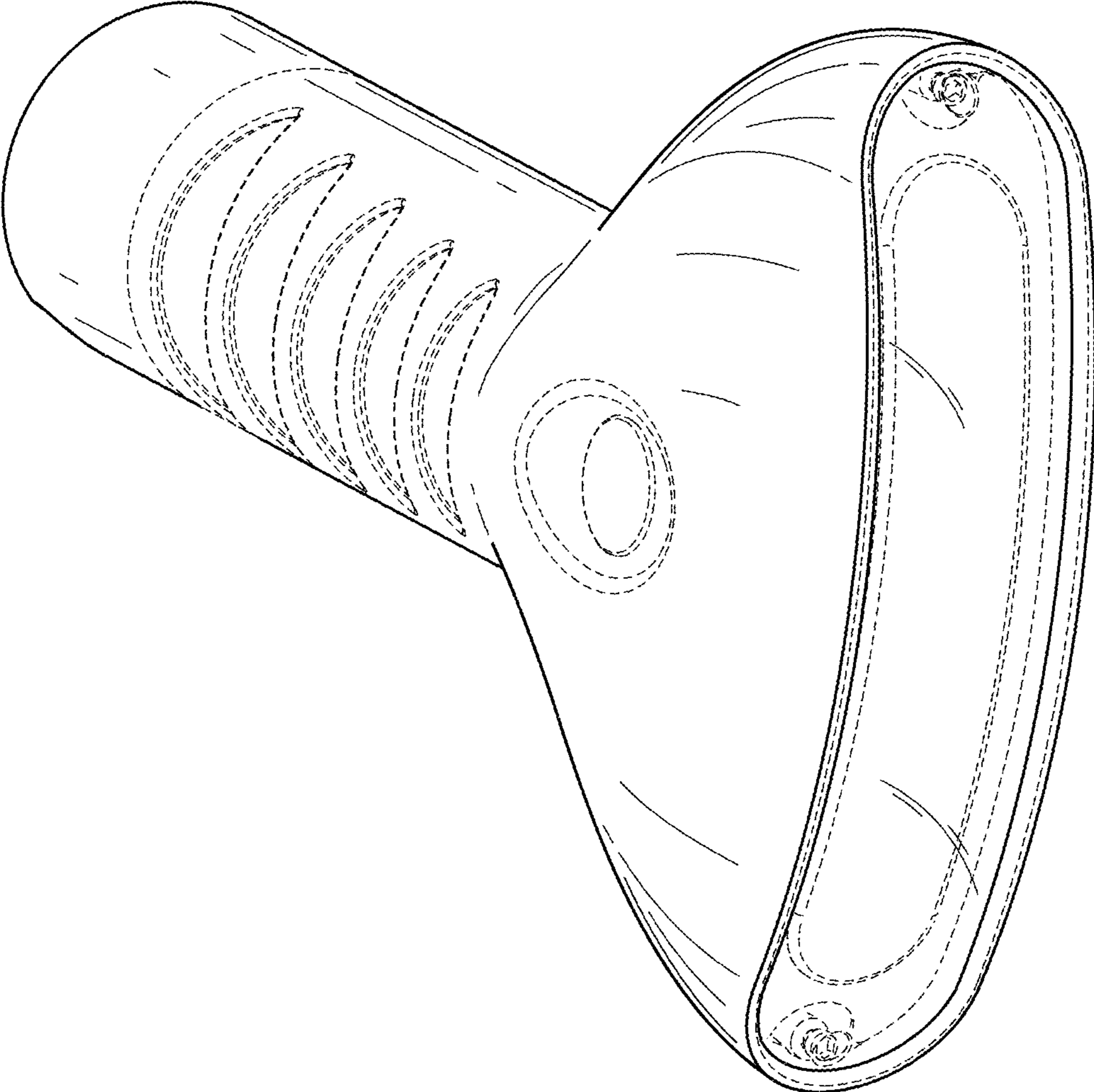


FIG. 1

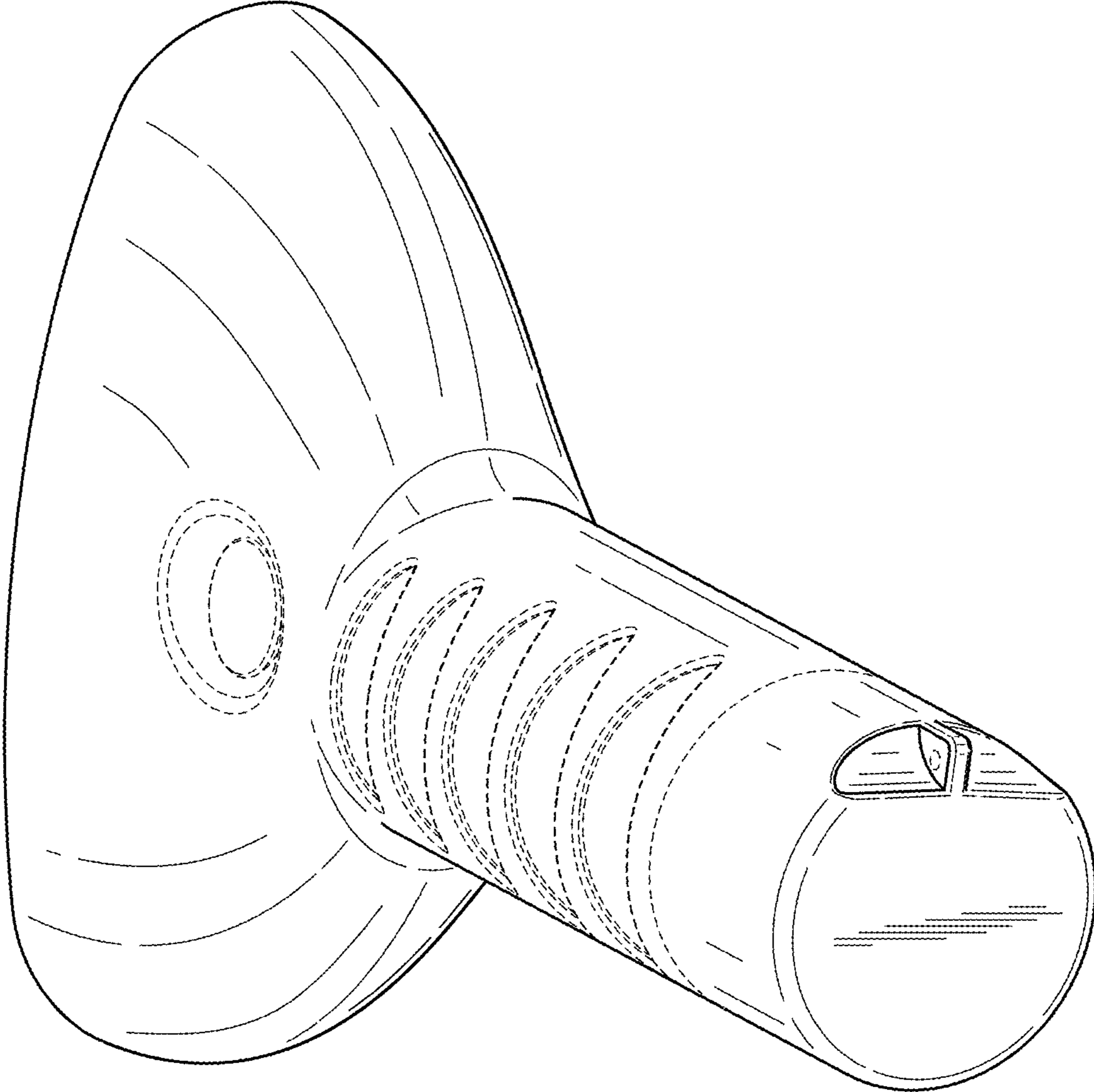


FIG. 2

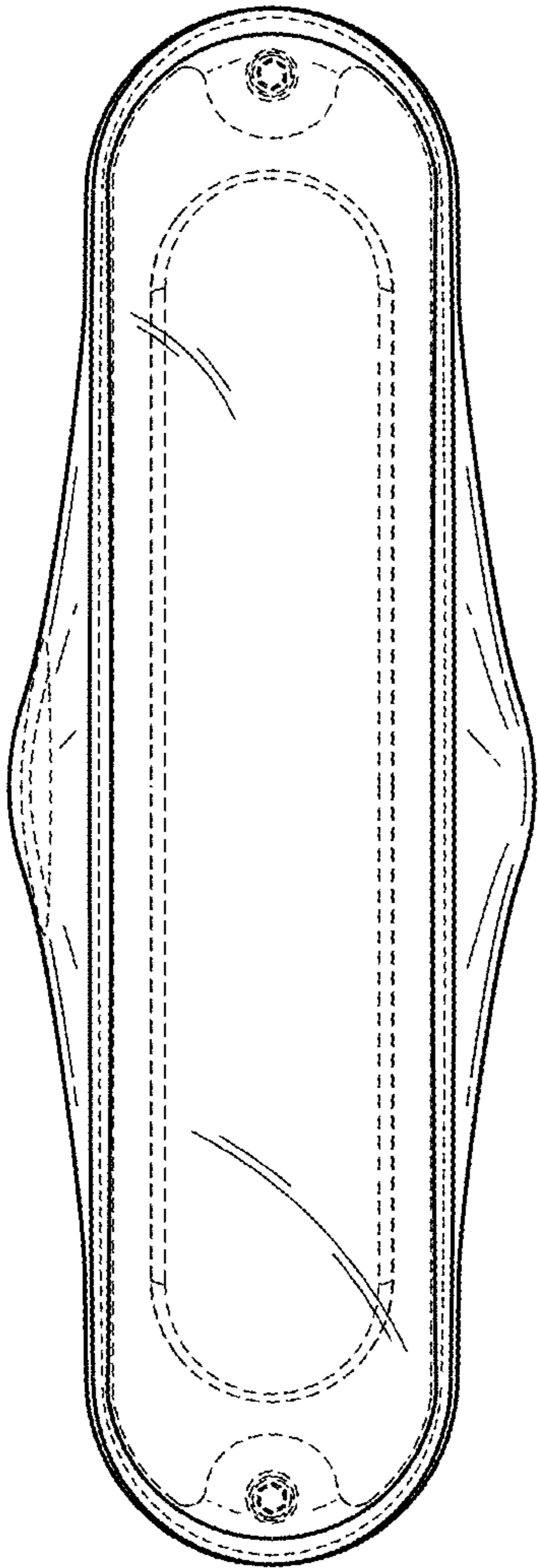


FIG. 3

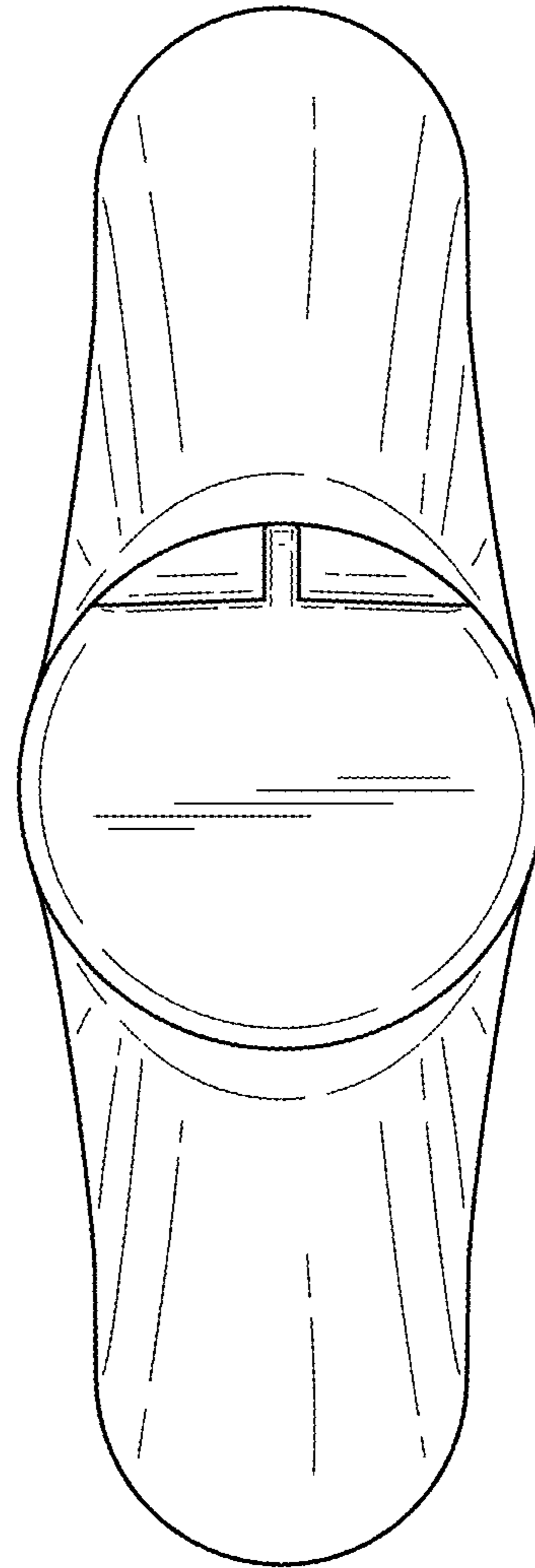


FIG. 4

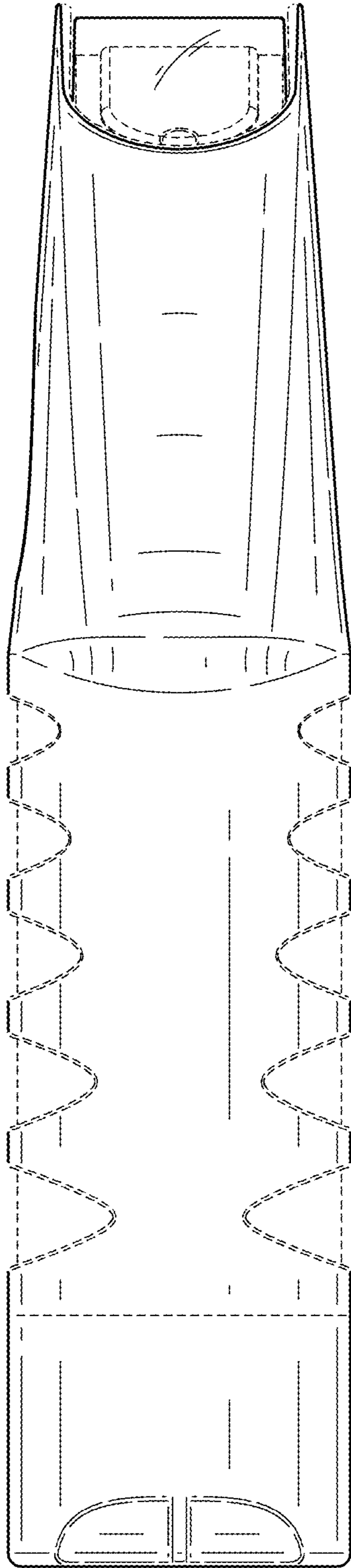


FIG. 5

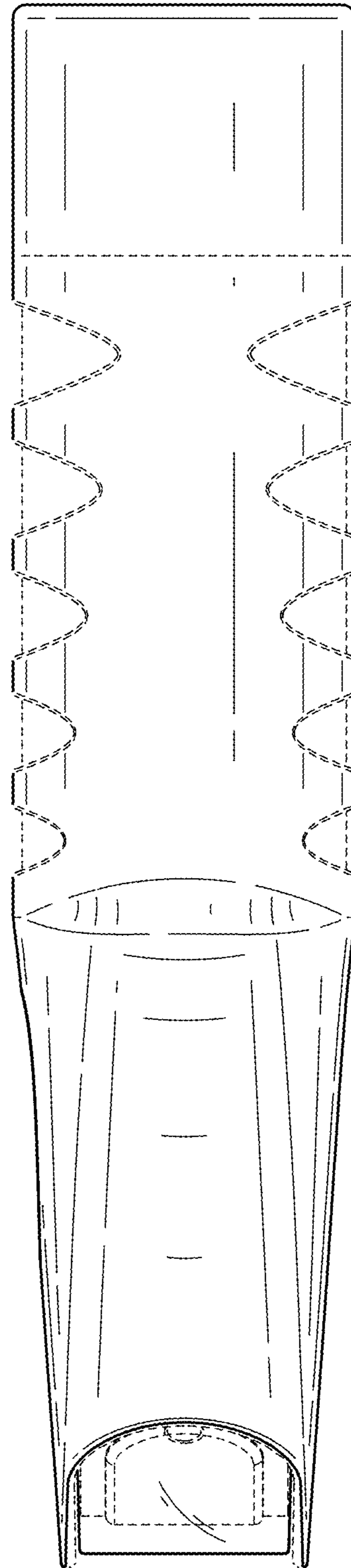


FIG. 6

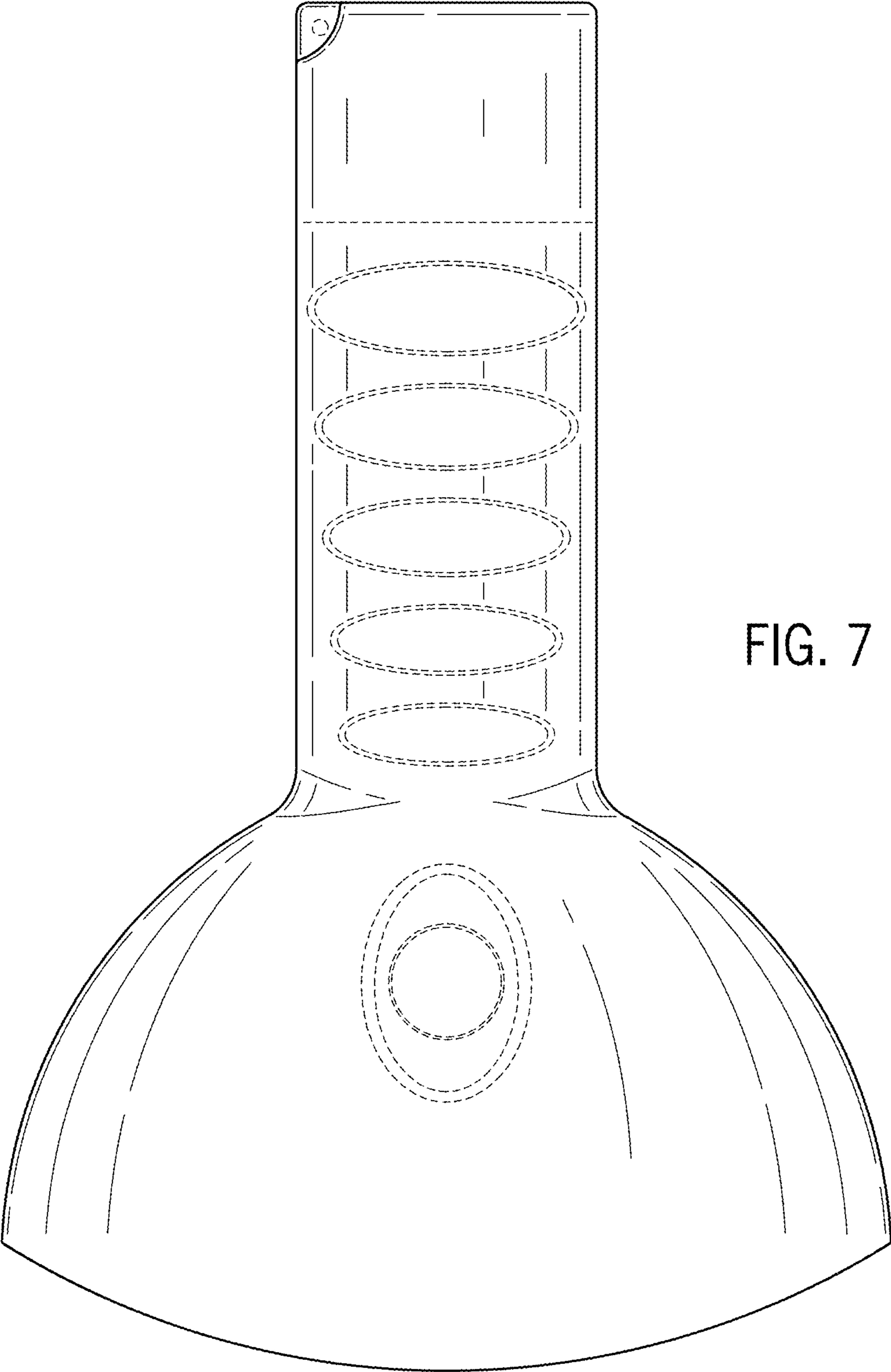


FIG. 7

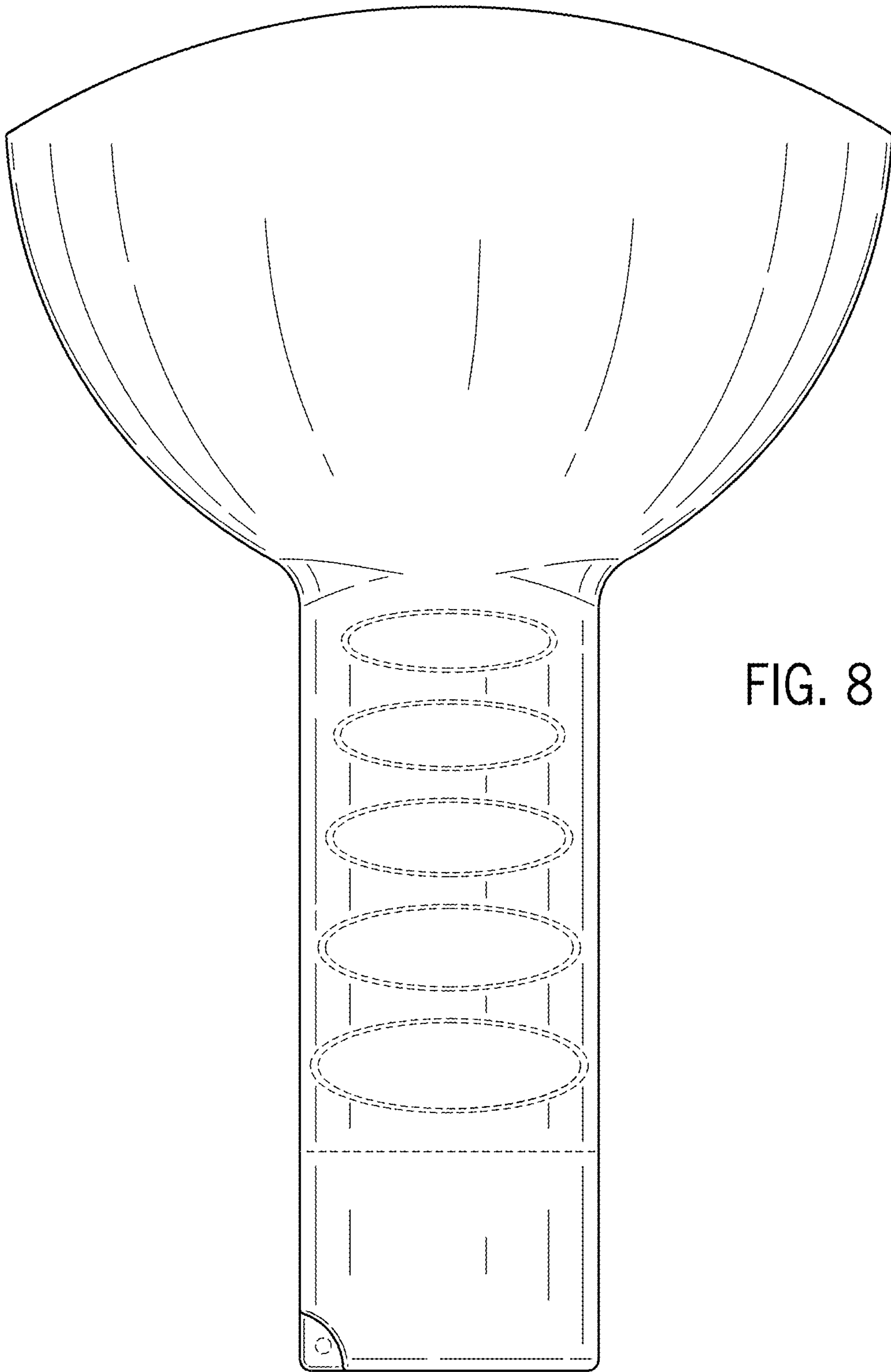


FIG. 8

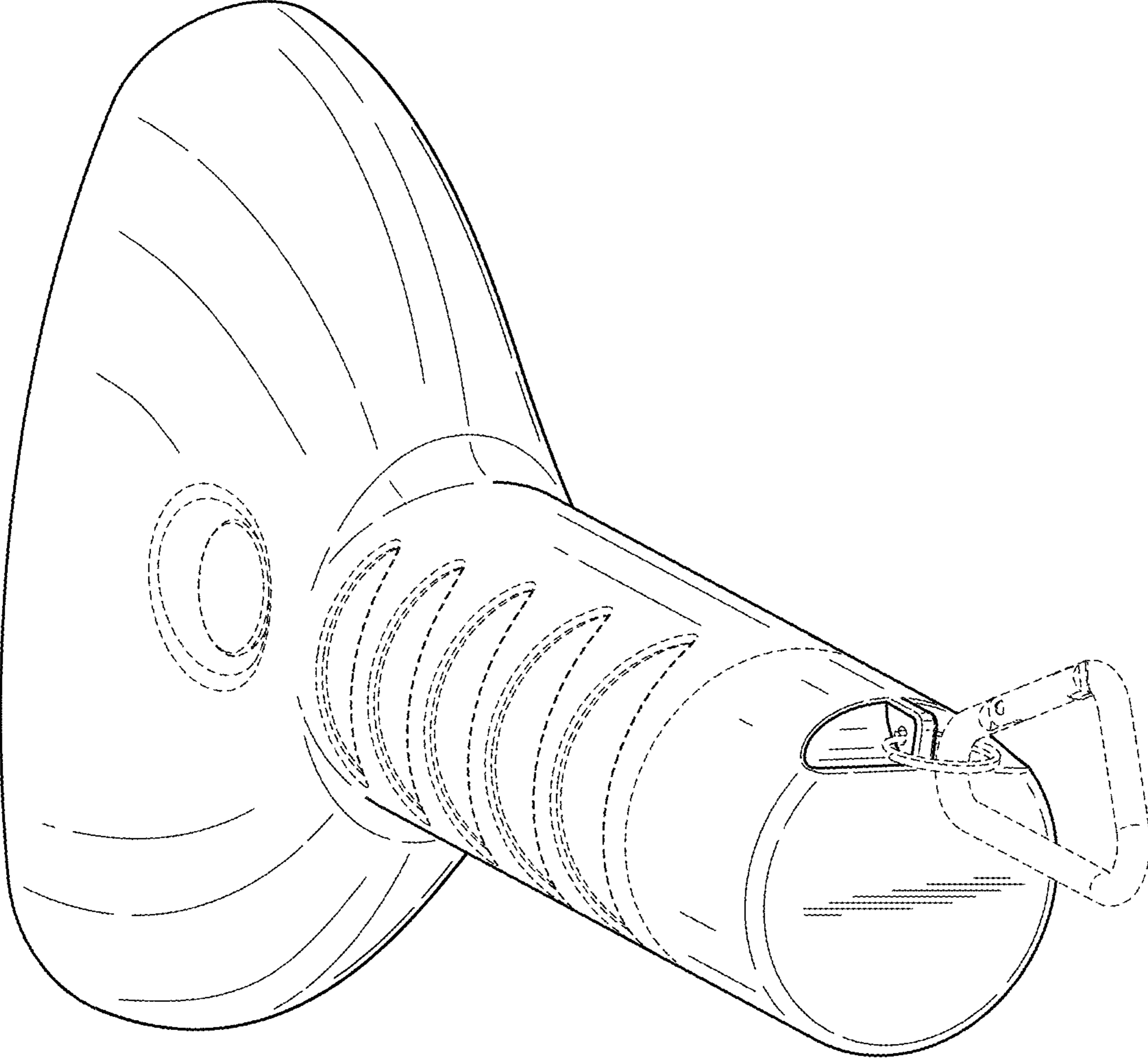


FIG. 9