

US00D954309S

(12) **United States Design Patent**
Lin

(10) **Patent No.:** **US D954,309 S**
(45) **Date of Patent:** **** Jun. 7, 2022**

- (54) **AUTOMOBILE HEADLIGHT**
- (71) Applicant: **Chi-Chung Lin**, Hsinchu (TW)
- (72) Inventor: **Chi-Chung Lin**, Hsinchu (TW)
- (**) Term: **15 Years**
- (21) Appl. No.: **29/765,368**
- (22) Filed: **Jan. 7, 2021**
- (51) **LOC (13) Cl.** **26-06**
- (52) **U.S. Cl.**
USPC **D26/28**
- (58) **Field of Classification Search**
USPC D26/28-36, 139
CPC F21S 48/10; F21S 48/115; F21S 48/225;
F21S 48/1233; F21S 48/1266; F21S
48/1388; F21S 48/2268; F21V 5/00;
F21V 21/04; F21V 29/004; B60Q 9/13;
B60Q 9/135; B60Q 9/1375; F21W
2102/17; F21W 2103/35; F21W 2103/55;
F21W 2103/00; F21W 2107/13; F21W
2107/17
See application file for complete search history.

- D809,682 S * 2/2018 Lin D26/28
- D838,019 S * 1/2019 Lin D26/28
- D854,202 S * 7/2019 Lin D26/28
- D895,862 S 9/2020 Lin
- D896,416 S 9/2020 Lin
- D921,941 S * 6/2021 Lin D26/28
- D921,942 S * 6/2021 Lin D26/28
- D921,944 S * 6/2021 Lin D26/28
- D929,624 S * 8/2021 Yang D26/28

* cited by examiner

Primary Examiner — Marcus A Jackson

(74) *Attorney, Agent, or Firm* — Alexander Chen, Esq.

(57) **CLAIM**

The ornamental design for an automobile headlight, as shown and described.

DESCRIPTION

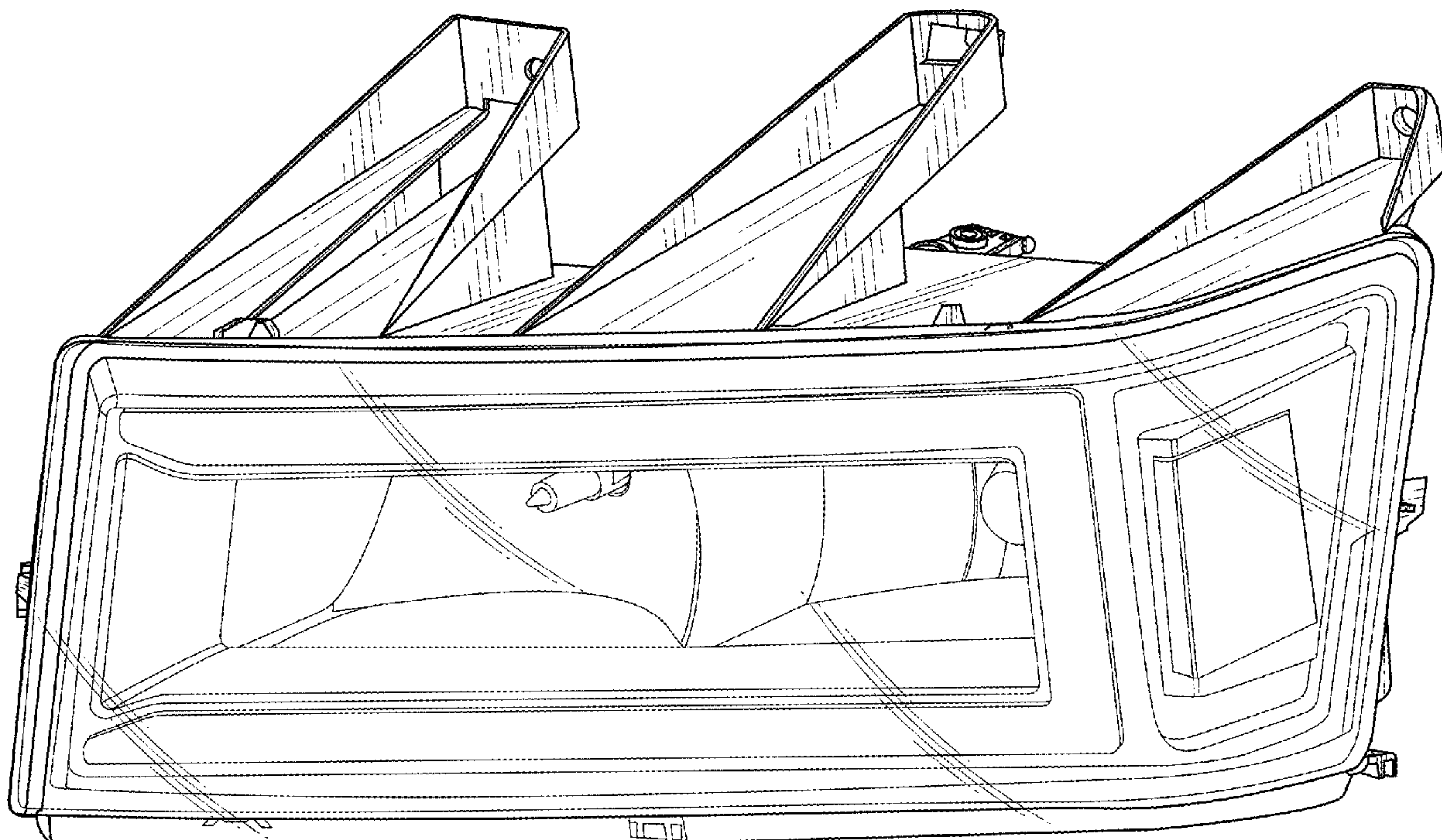
FIG. 1 is a perspective view of an automobile headlight;
FIG. 2 is a front view thereof;
FIG. 3 is a back view thereof;
FIG. 4 is a side view thereof;
FIG. 5 is a side view thereof;
FIG. 6 is a top view thereof; and,
FIG. 7 is a bottom view thereof.

Any broken lines are included to show environmental structure and form no part of the claimed design.

The drawings and descriptions represent the left side embodiment. The claim is also for a mirror image right side embodiment.

- (56) **References Cited**
U.S. PATENT DOCUMENTS
D765,282 S * 8/2016 Lai D26/28
D797,332 S * 9/2017 Lin D26/28

1 Claim, 7 Drawing Sheets



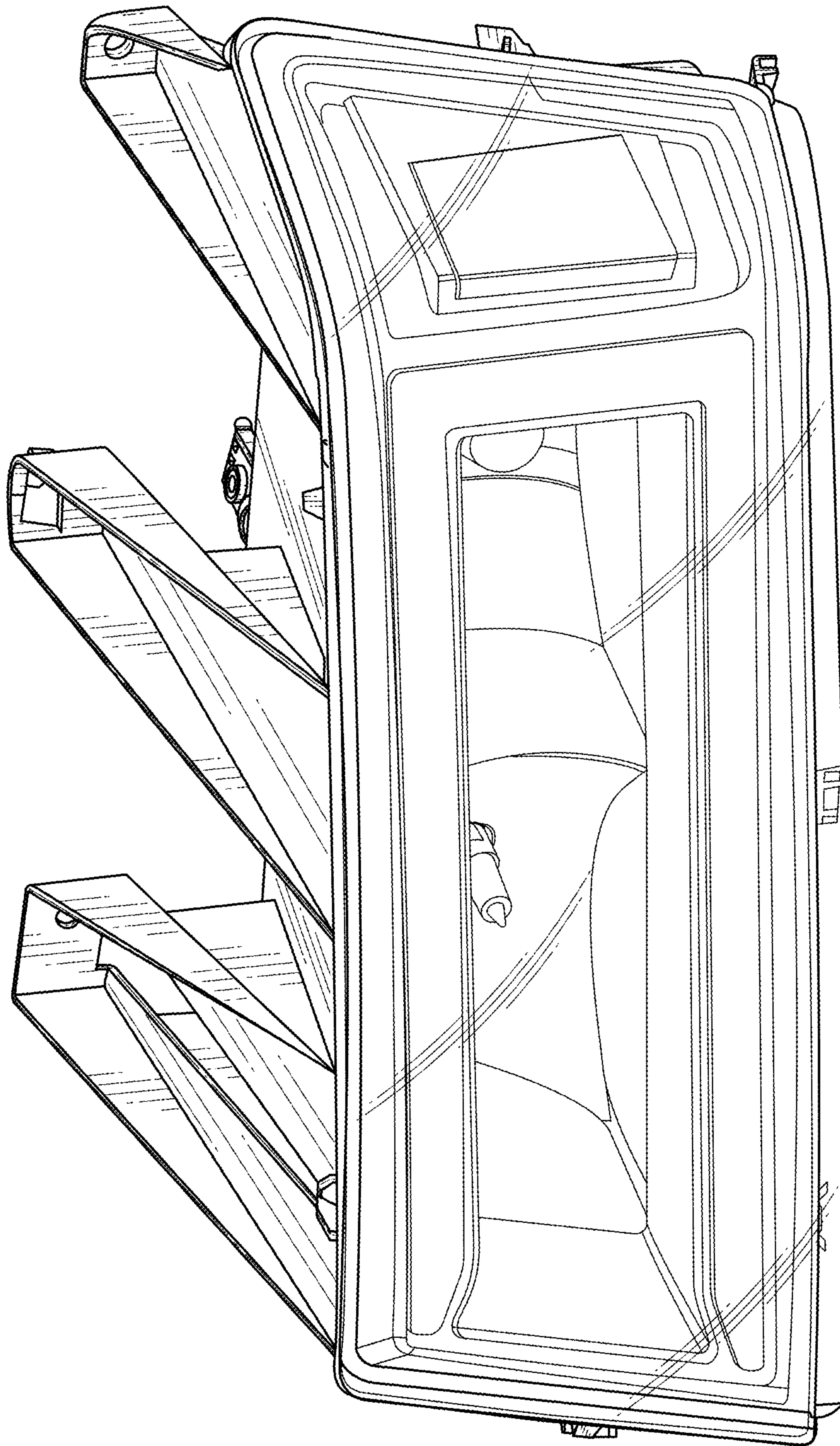


FIG. 1

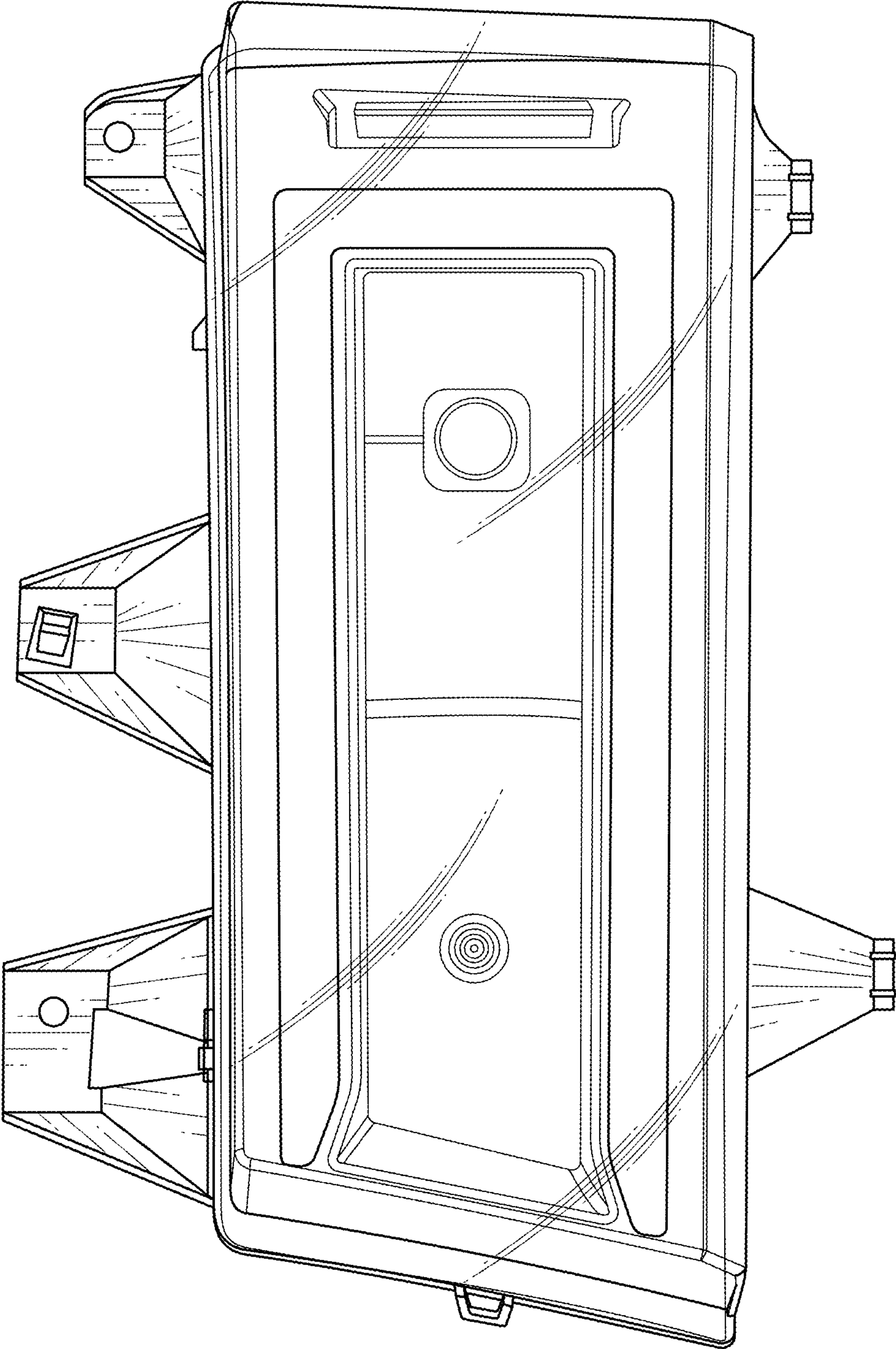


FIG. 2

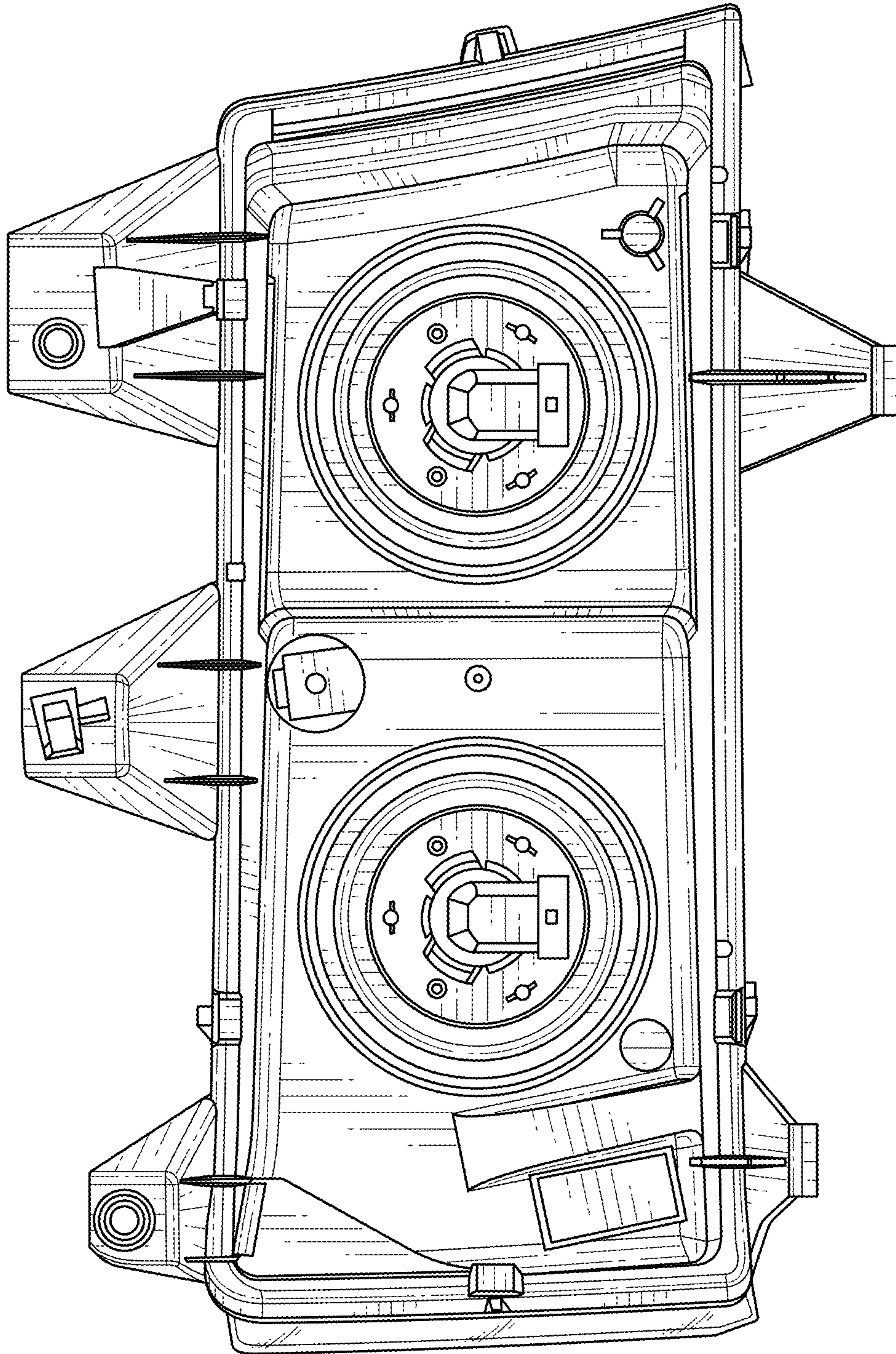


FIG. 3

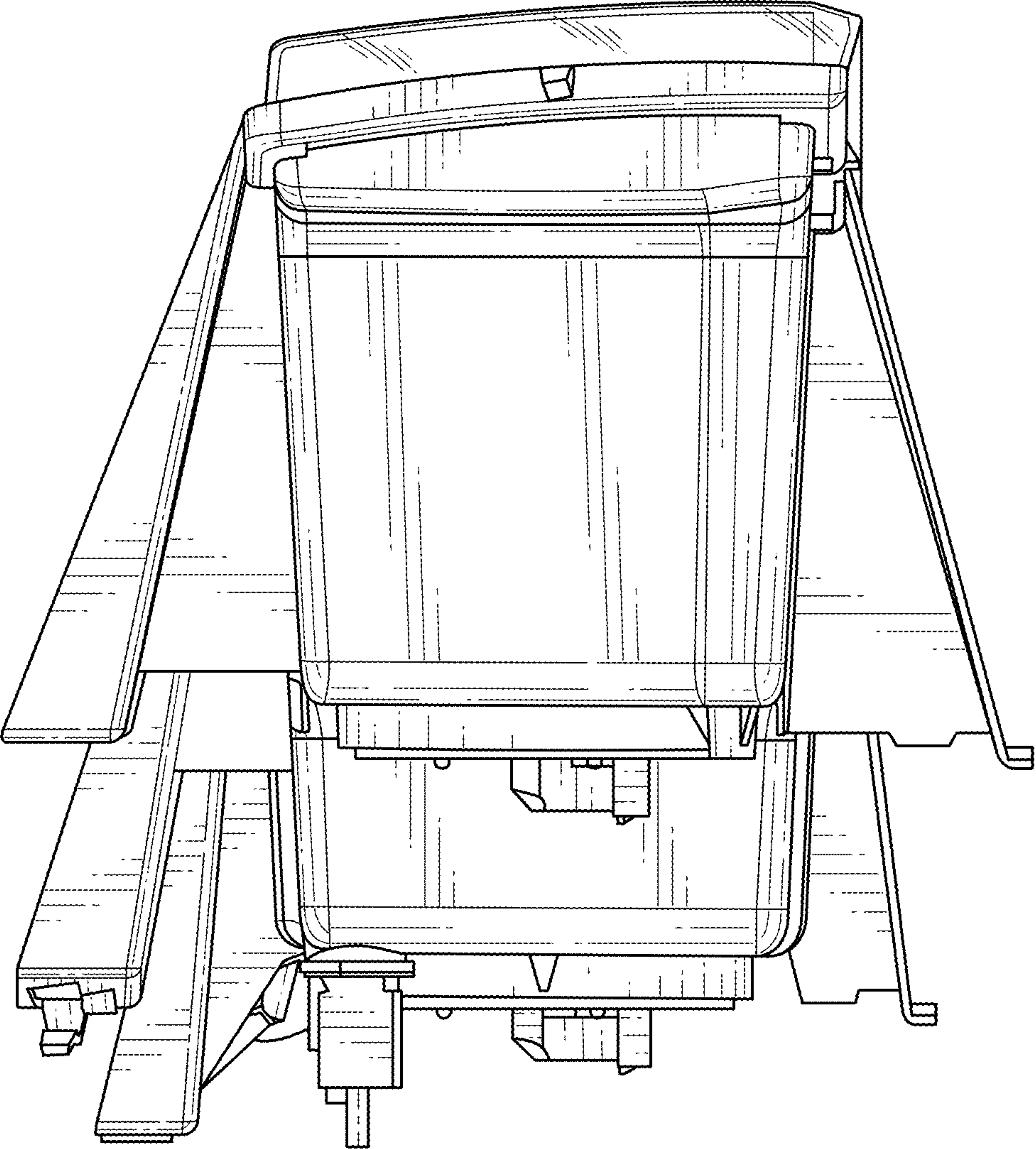


FIG. 4

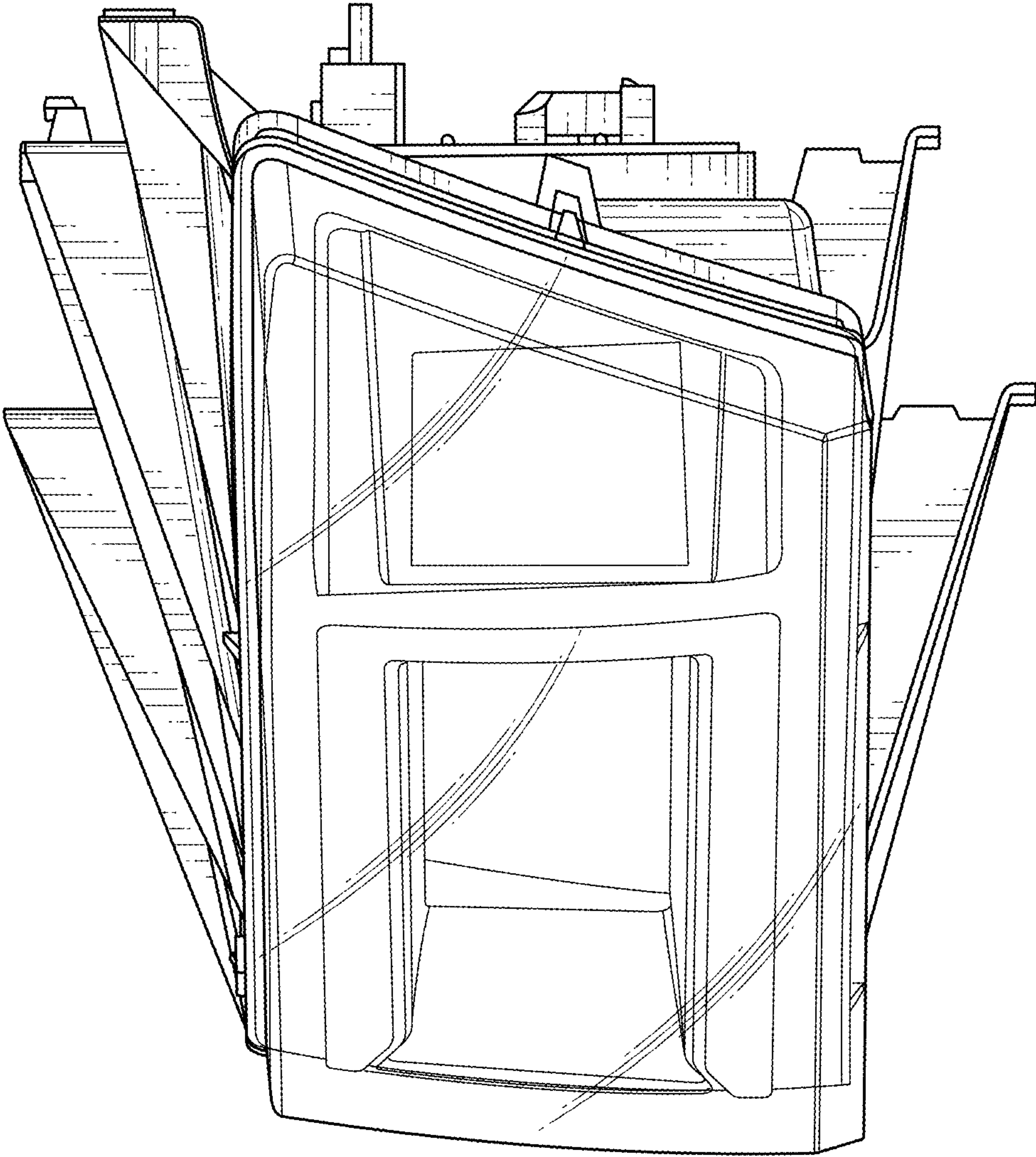


FIG. 5

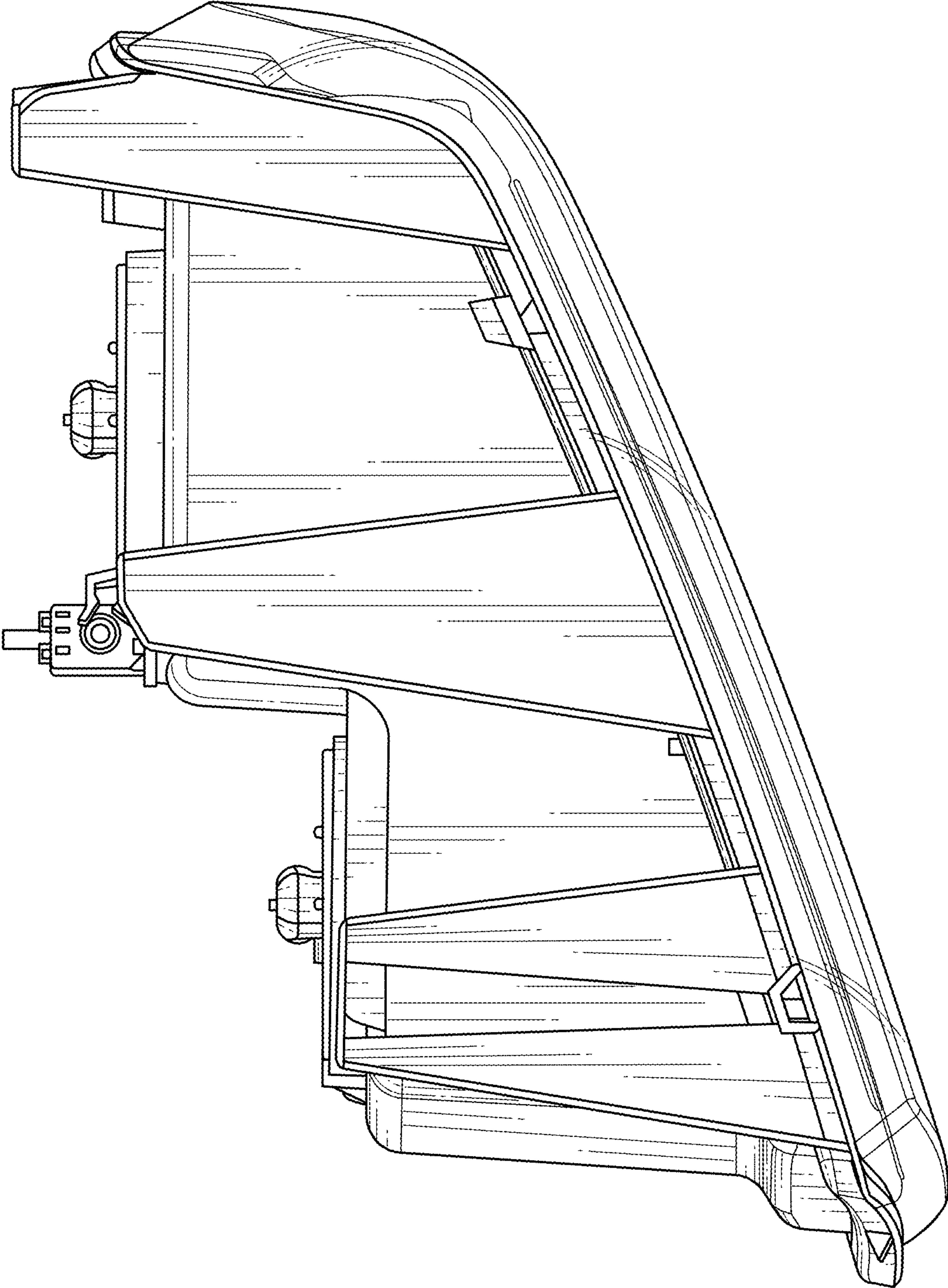


FIG. 6

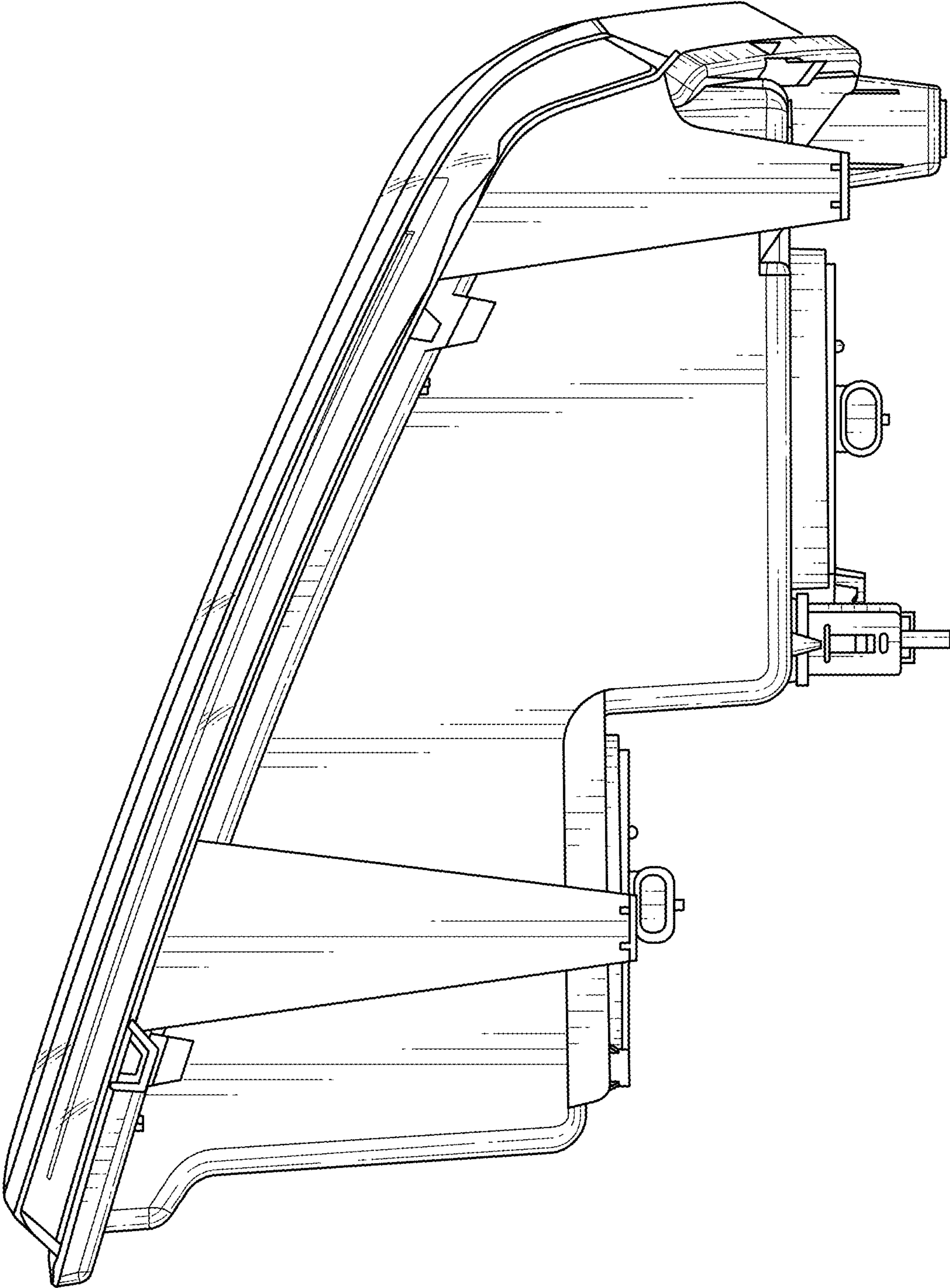


FIG. 7