



US00D954306S

(12) **United States Design Patent**
Lin

(10) **Patent No.:** **US D954,306 S**
(45) **Date of Patent:** **** Jun. 7, 2022**

- (54) **AUTOMOBILE HEADLIGHT**
- (71) Applicant: **Chi-Chung Lin**, Hsinchu (TW)
- (72) Inventor: **Chi-Chung Lin**, Hsinchu (TW)
- (**) Term: **15 Years**
- (21) Appl. No.: **29/763,620**
- (22) Filed: **Dec. 23, 2020**
- (51) **LOC (13) Cl.** **26-06**
- (52) **U.S. Cl.**
USPC **D26/28**
- (58) **Field of Classification Search**
USPC D26/28-36, 139
CPC F21S 48/10; F21S 48/115; F21S 48/225;
F21S 48/1233; F21S 48/1266; F21S
48/1388; F21S 48/2268; F21V 5/00;
F21V 21/04; F21V 29/004; B60Q 9/13;
B60Q 9/135; B60Q 9/1375; F21W
2102/17; F21W 2103/35; F21W 2103/55;
F21W 2103/00; F21W 2107/13; F21W
2107/17
See application file for complete search history.

D794,847 S *	8/2017	Fujiwara	D26/28
D849,283 S	5/2019	Lin		
D875,283 S *	2/2020	He	D26/28
D877,374 S	3/2020	Luo		
D878,644 S	3/2020	Lai		
D890,380 S *	7/2020	Wu	D26/28
D898,239 S *	10/2020	Kusunoki	D26/28
D898,243 S *	10/2020	He	D26/28
D905,880 S *	12/2020	Katou	D26/28

* cited by examiner

Primary Examiner — Marcus A Jackson

(74) *Attorney, Agent, or Firm* — Alexander Chen, Esq.

(57) **CLAIM**

The ornamental design for an automobile headlight, as shown and described.

DESCRIPTION

FIG. 1 is a perspective view of an automobile headlight; FIG. 2 is a front view thereof; FIG. 3 is a back view thereof; FIG. 4 is a side view thereof; FIG. 5 is a side view thereof; FIG. 6 is a top view thereof; and, FIG. 7 is a bottom view thereof.

Any broken lines are included to show environmental structure and form no part of the claimed design.

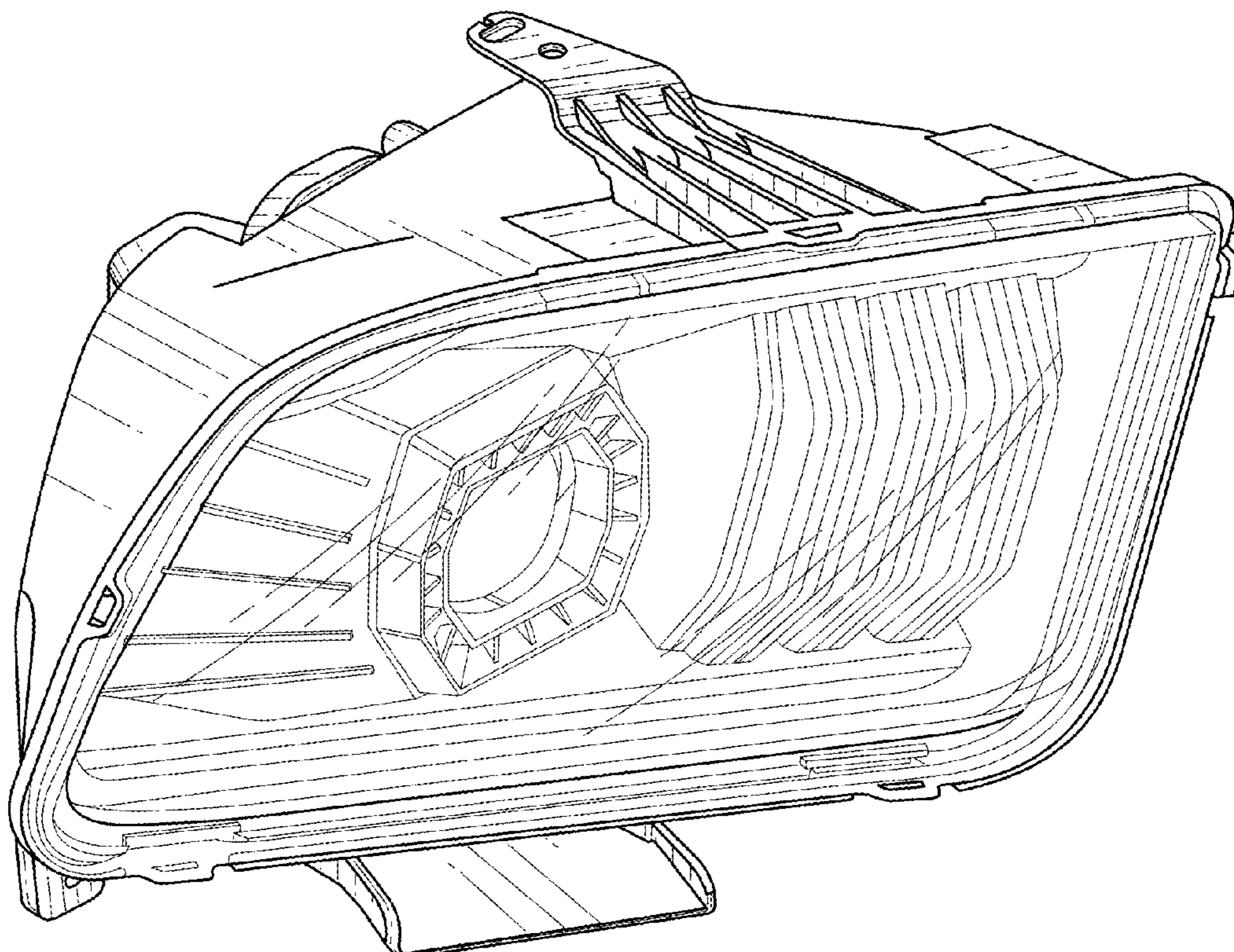
The drawings and descriptions represent the left side embodiment. The claim is also for a mirror image right side embodiment.

1 Claim, 7 Drawing Sheets

(56) **References Cited**

U.S. PATENT DOCUMENTS

D474,290 S *	5/2003	Sawai	D26/28
D569,021 S	5/2008	Saridakis et al.		
D624,217 S	9/2010	Saridakis et al.		
D681,852 S	5/2013	Behmer et al.		



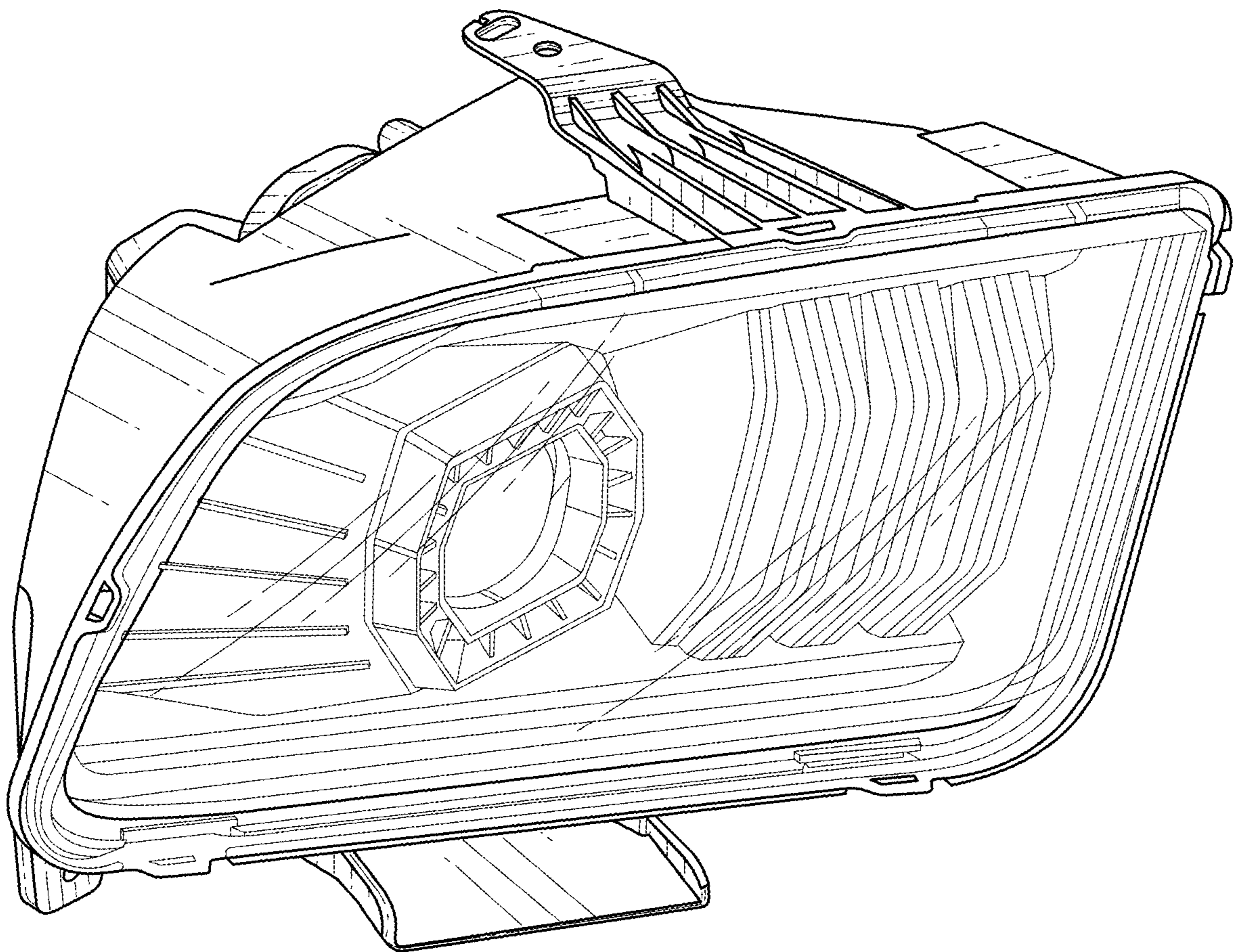


FIG. 1

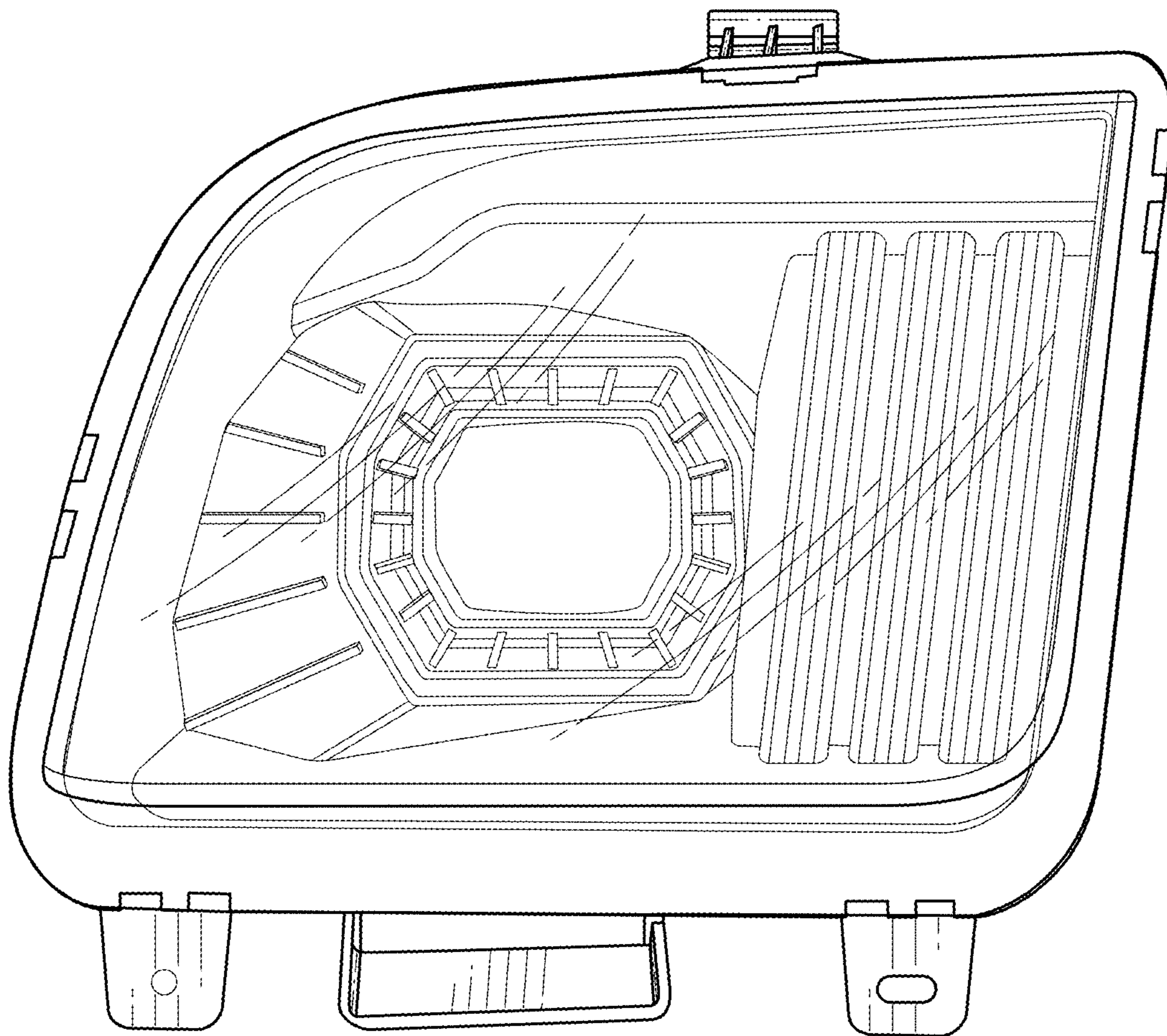


FIG. 2

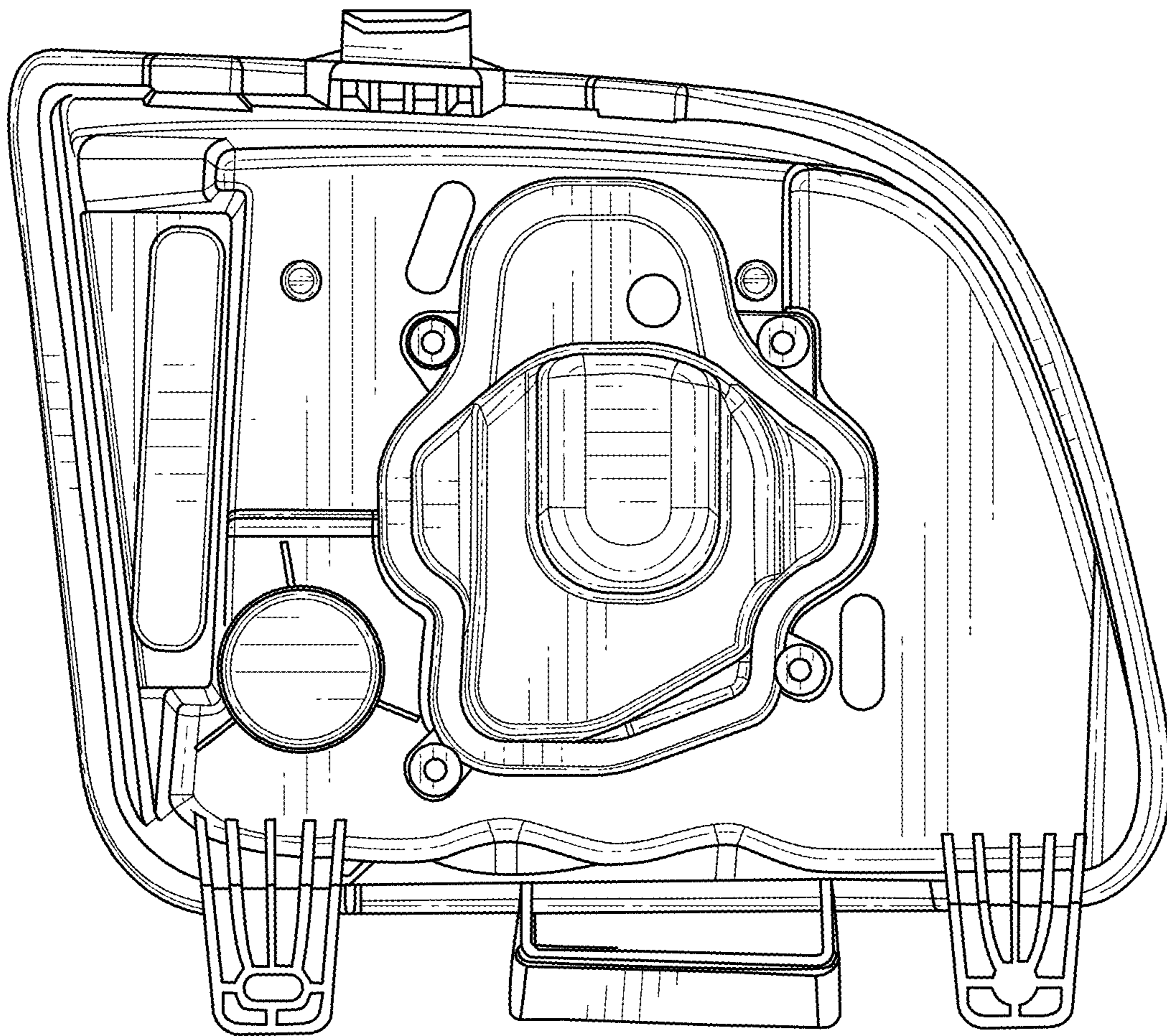


FIG. 3

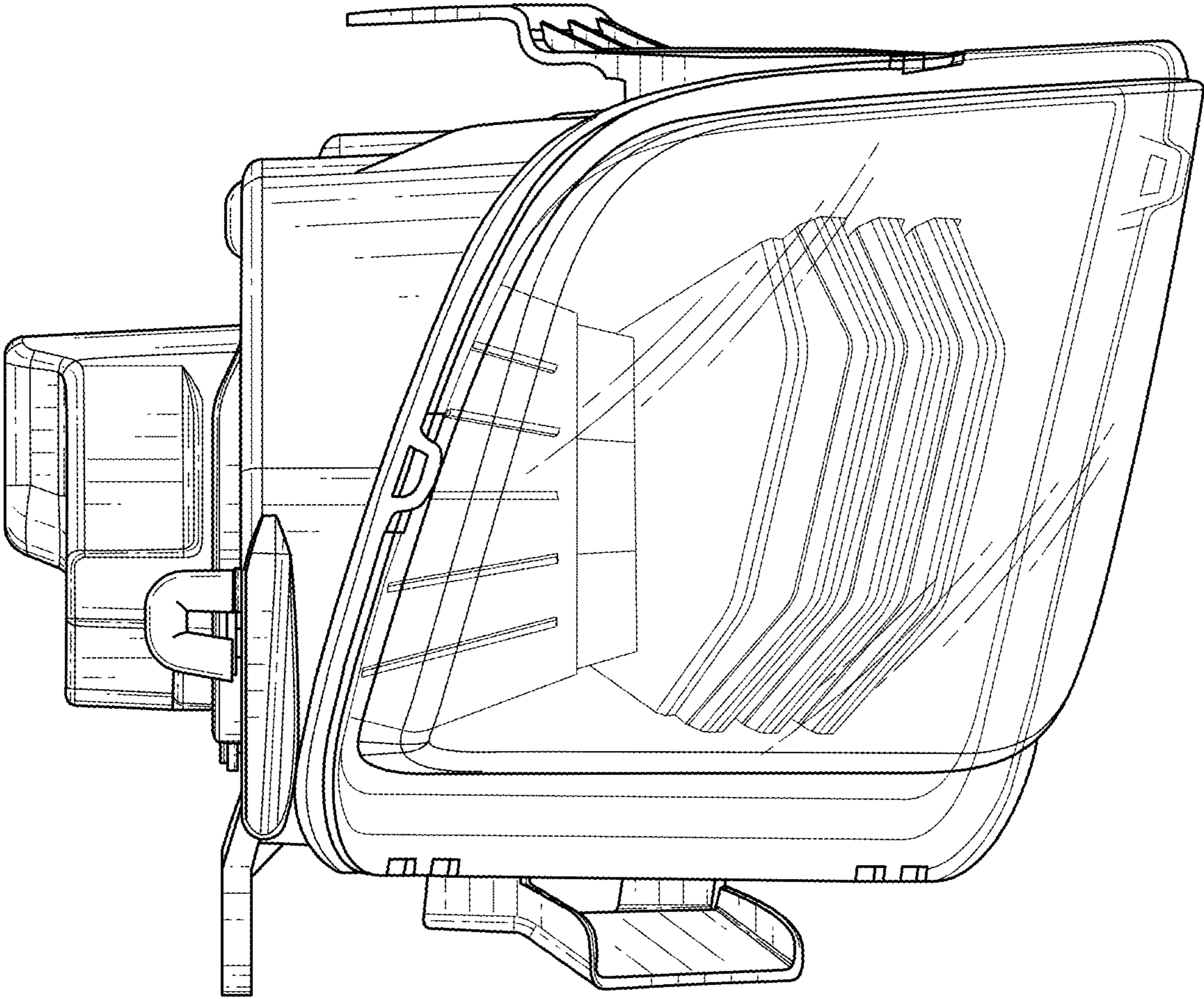


FIG. 4

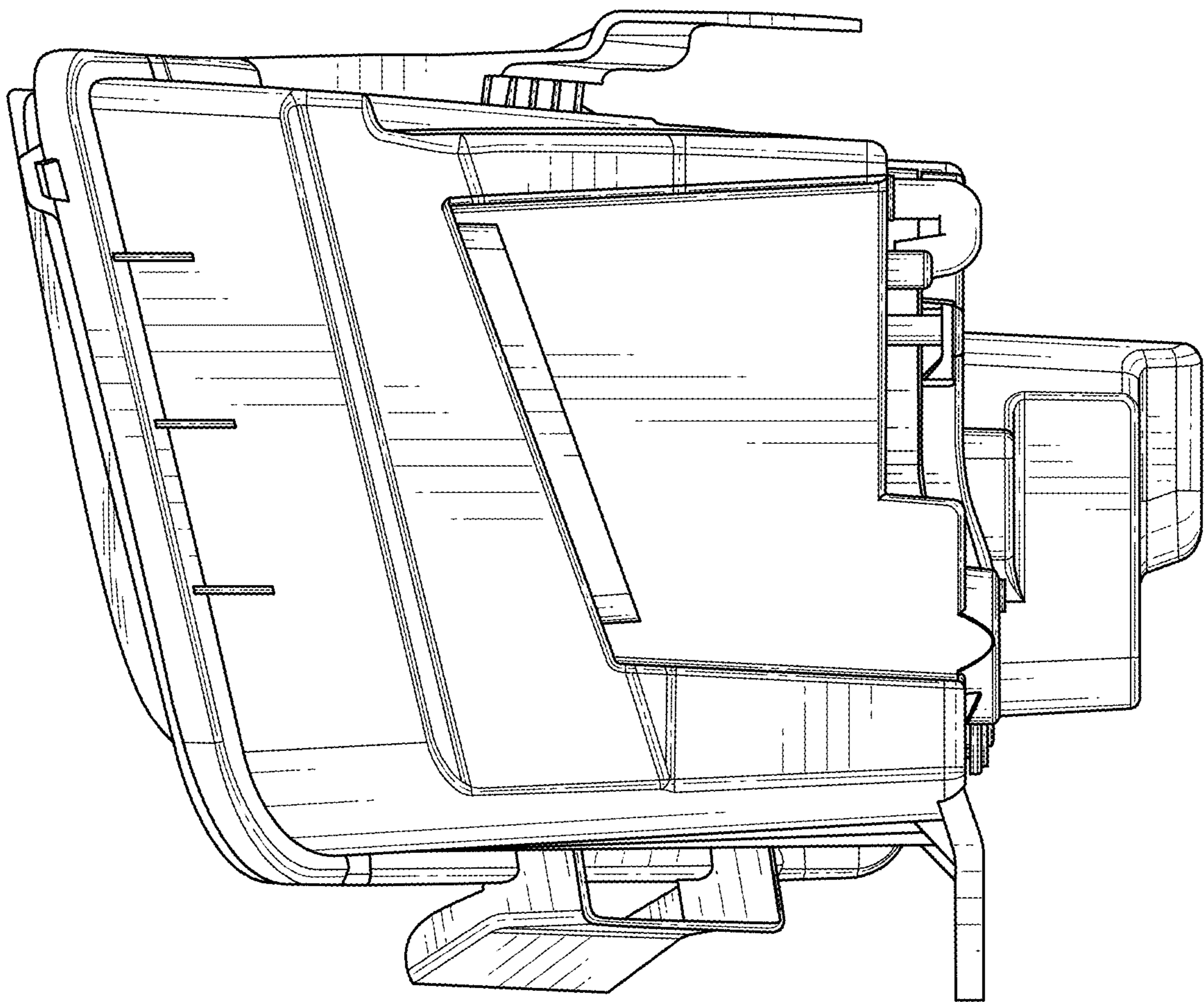


FIG. 5

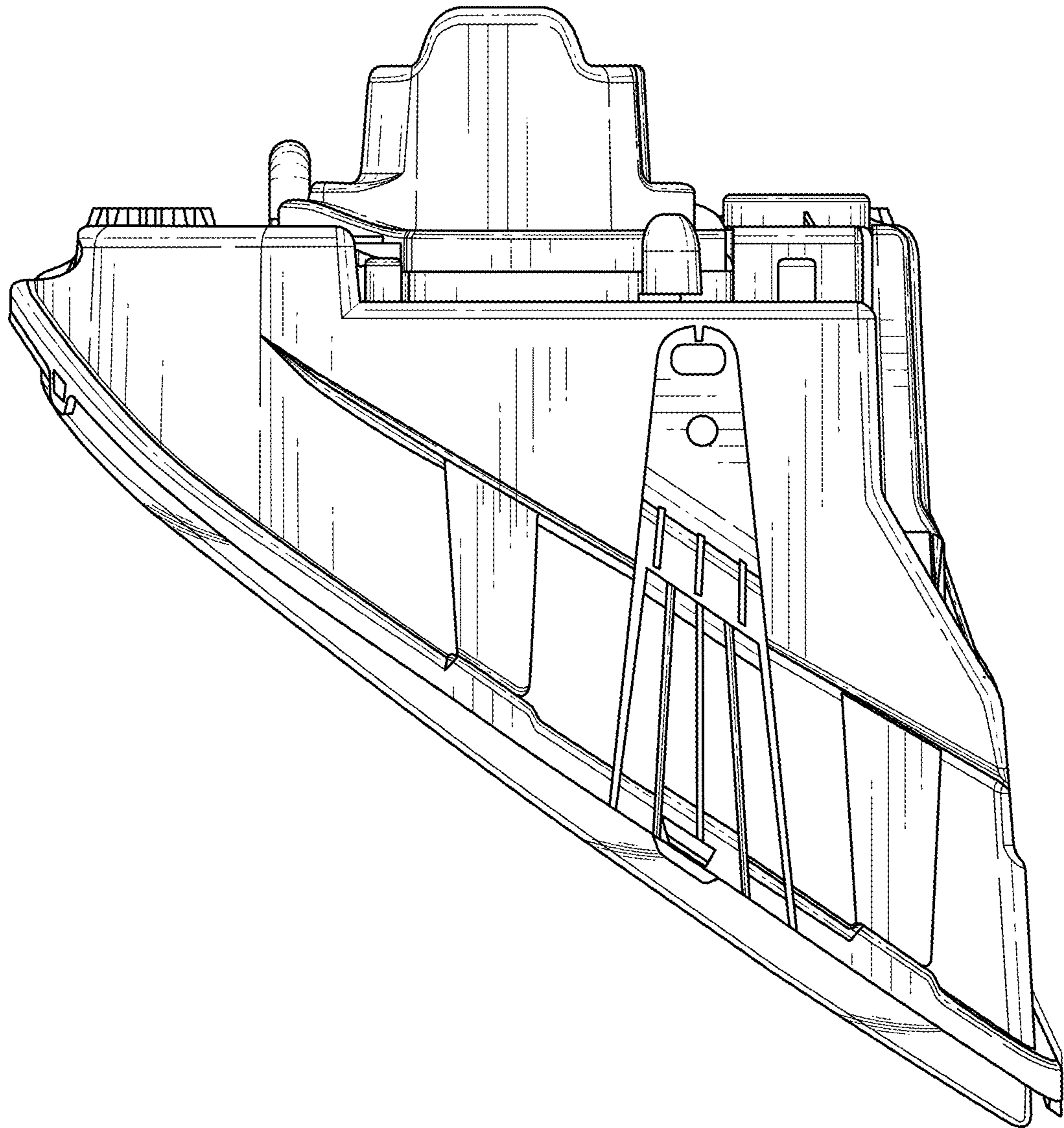


FIG. 6

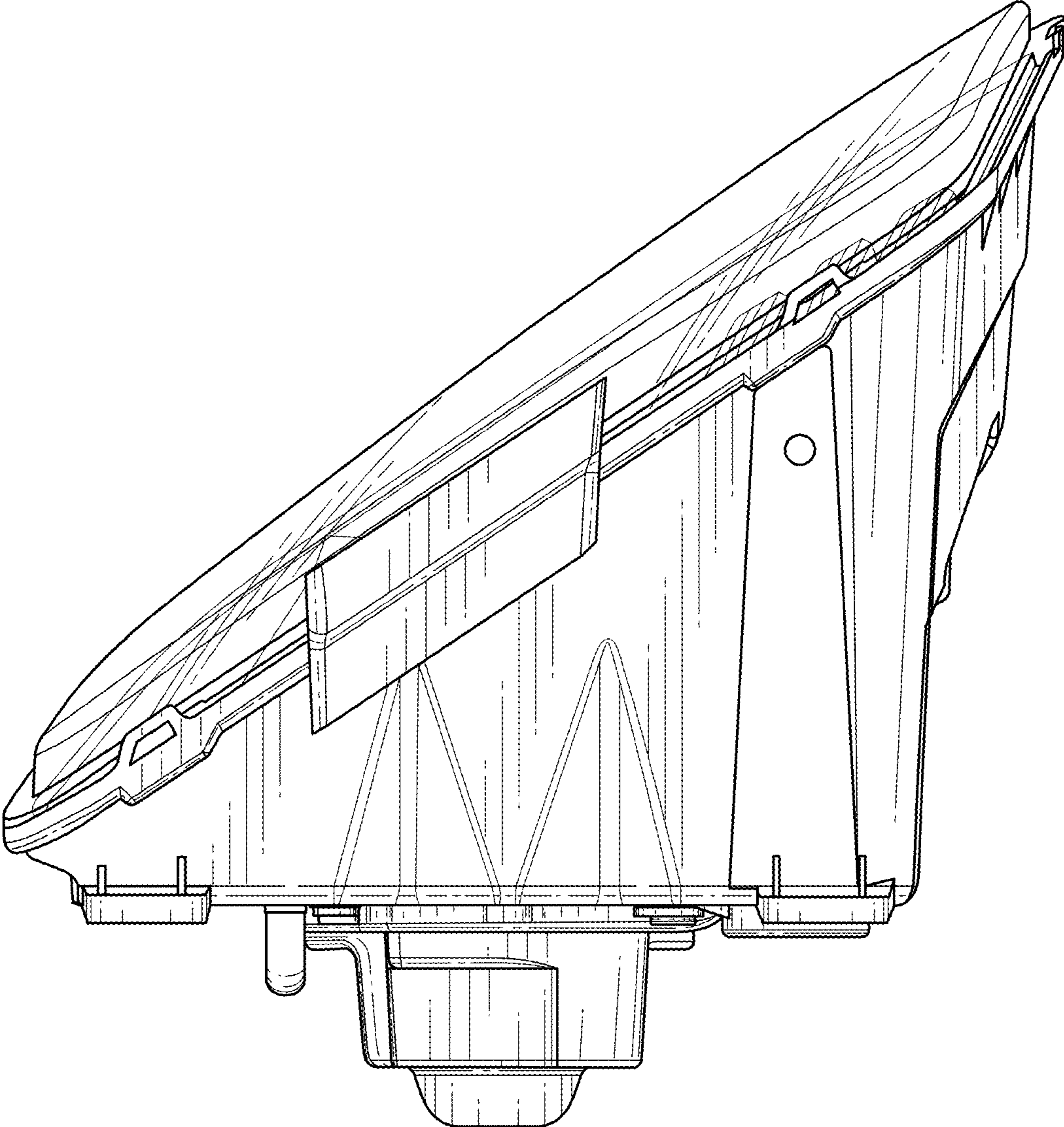


FIG. 7