



US00D954305S

(12) **United States Design Patent**  
**Lin**

(10) **Patent No.:** **US D954,305 S**  
(45) **Date of Patent:** **\*\* Jun. 7, 2022**

(54) **AUTOMOBILE HEADLIGHT**  
(71) Applicant: **Chi-Chung Lin**, Hsinchu (TW)  
(72) Inventor: **Chi-Chung Lin**, Hsinchu (TW)  
(\*\*) Term: **15 Years**  
(21) Appl. No.: **29/763,592**  
(22) Filed: **Dec. 23, 2020**  
(51) **LOC (13) Cl.** ..... **26-06**  
(52) **U.S. Cl.**  
USPC ..... **D26/28**  
(58) **Field of Classification Search**  
USPC ..... D26/28-36, 139  
CPC ..... F21S 48/10; F21S 48/115; F21S 48/225;  
F21S 48/1233; F21S 48/1266; F21S  
48/1388; F21S 48/2268; F21V 5/00;  
F21V 21/04; F21V 29/004; B60Q 9/13;  
B60Q 9/135; B60Q 9/1375; F21W  
2102/17; F21W 2103/35; F21W 2103/55;  
F21W 2103/00; F21W 2107/13; F21W  
2107/17  
See application file for complete search history.

(56) **References Cited**  
**U.S. PATENT DOCUMENTS**  
D510,449 S \* 10/2005 Lin ..... D26/28  
D526,424 S \* 8/2006 Suzuki ..... D26/28  
D541,445 S \* 4/2007 Lin ..... D26/28  
D566,304 S 4/2008 Hsu

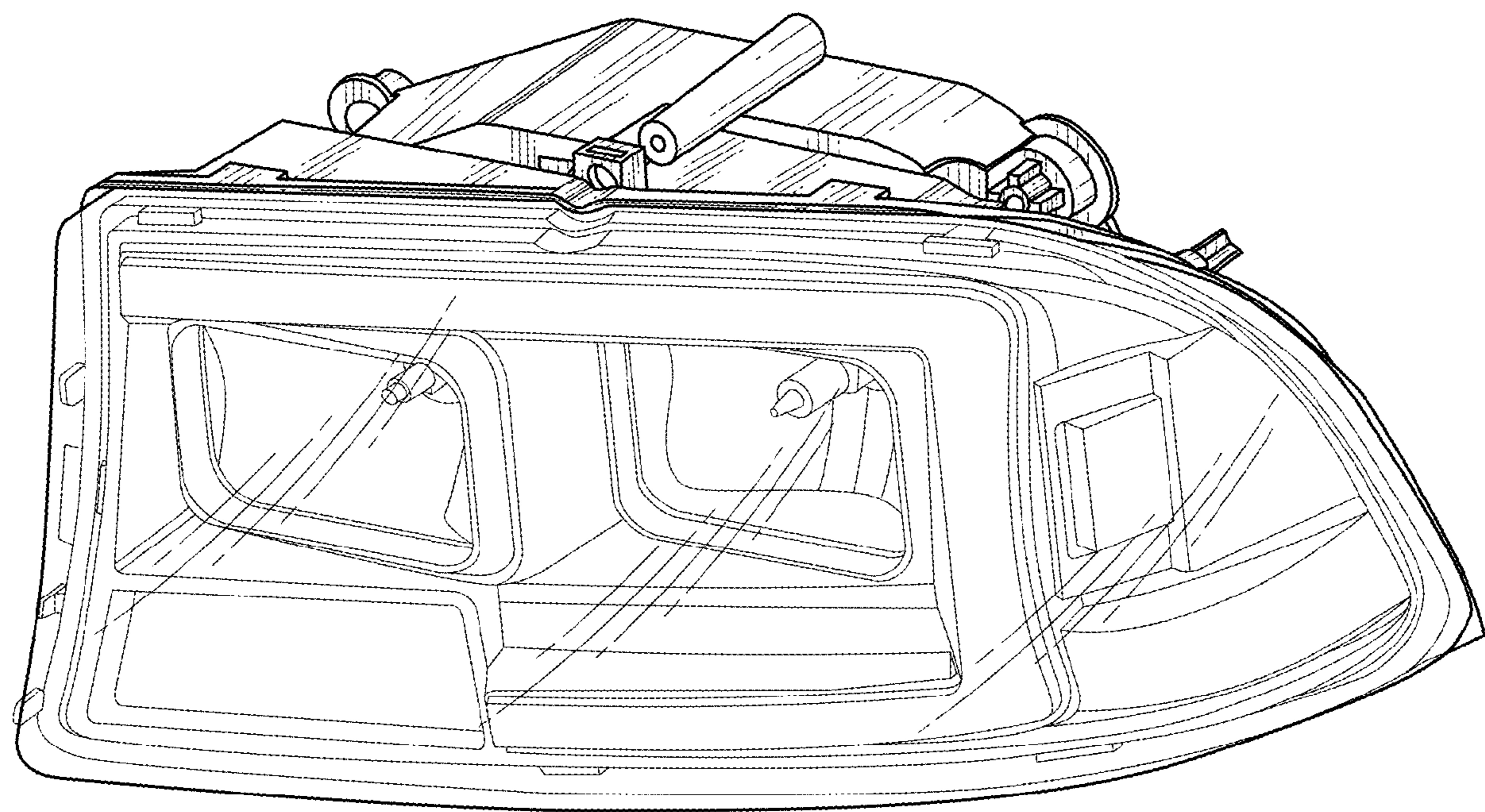
D582,083 S 12/2008 Yang  
D602,619 S \* 10/2009 Krugger ..... D26/28  
D689,223 S 9/2013 Lai  
D809,682 S \* 2/2018 Lin ..... D26/28  
D831,246 S 10/2018 Yang  
D841,206 S \* 2/2019 Yang ..... D26/28  
D854,202 S 7/2019 Lin  
D870,928 S \* 12/2019 Lin ..... D26/28  
D882,134 S \* 4/2020 Wu ..... D26/28  
D919,841 S \* 5/2021 Lin ..... D26/28

\* cited by examiner  
*Primary Examiner* — Marcus A Jackson  
(74) *Attorney, Agent, or Firm* — Alexander Chen, Esq.

(57) **CLAIM**  
The ornamental design for an automobile headlight, as shown and described.

**DESCRIPTION**  
FIG. 1 is a perspective view of an automobile headlight; FIG. 2 is a front view thereof; FIG. 3 is a back view thereof; FIG. 4 is a side view thereof; FIG. 5 is a side view thereof; FIG. 6 is a top view thereof; and, FIG. 7 is a bottom view thereof.  
Any broken lines are included to show environmental structure and form no part of the claimed design.  
The drawings and descriptions represent the left side embodiment. The claim is also for a mirror image right side embodiment.

**1 Claim, 7 Drawing Sheets**



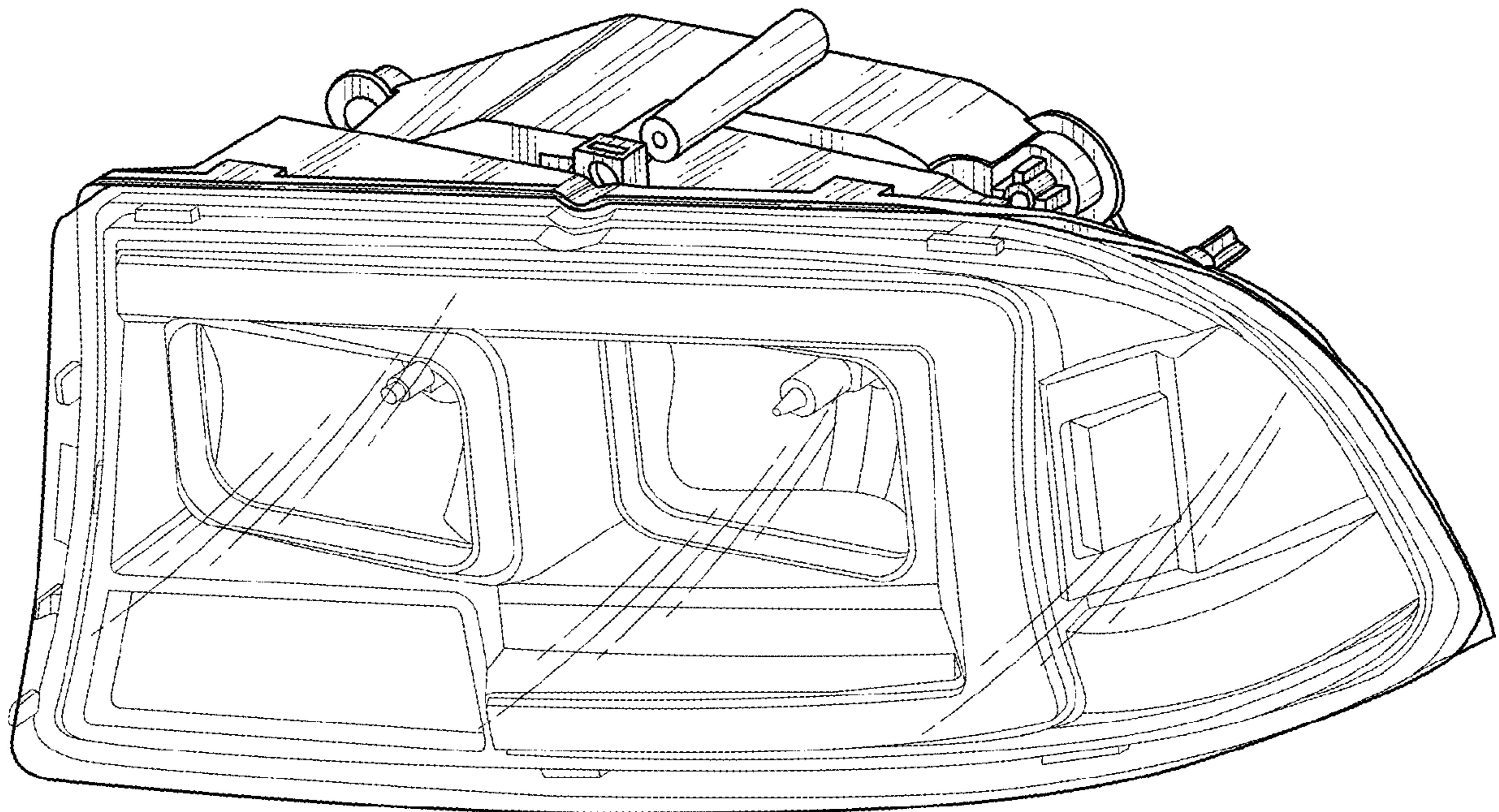


FIG. 1

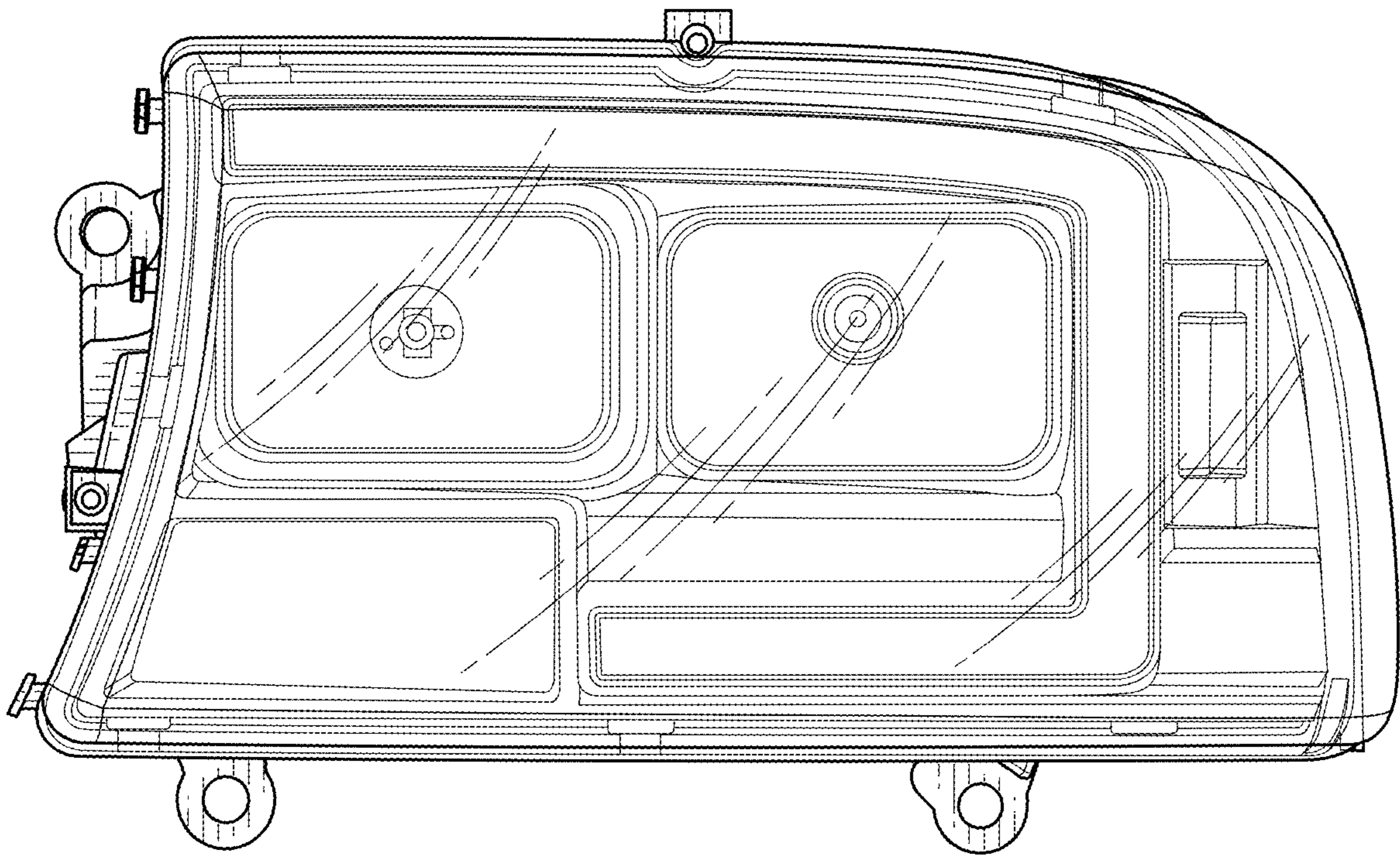


FIG. 2

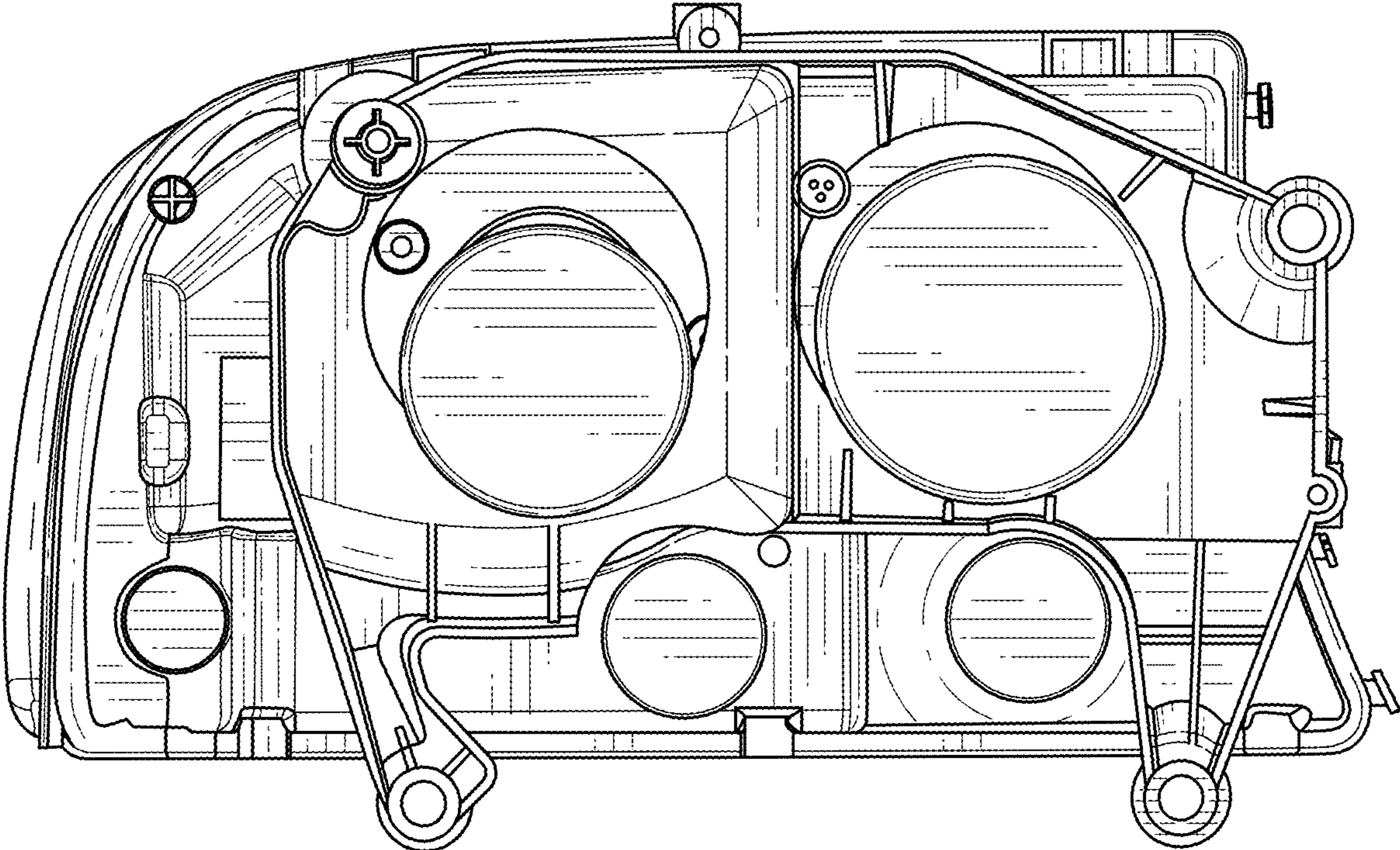


FIG. 3

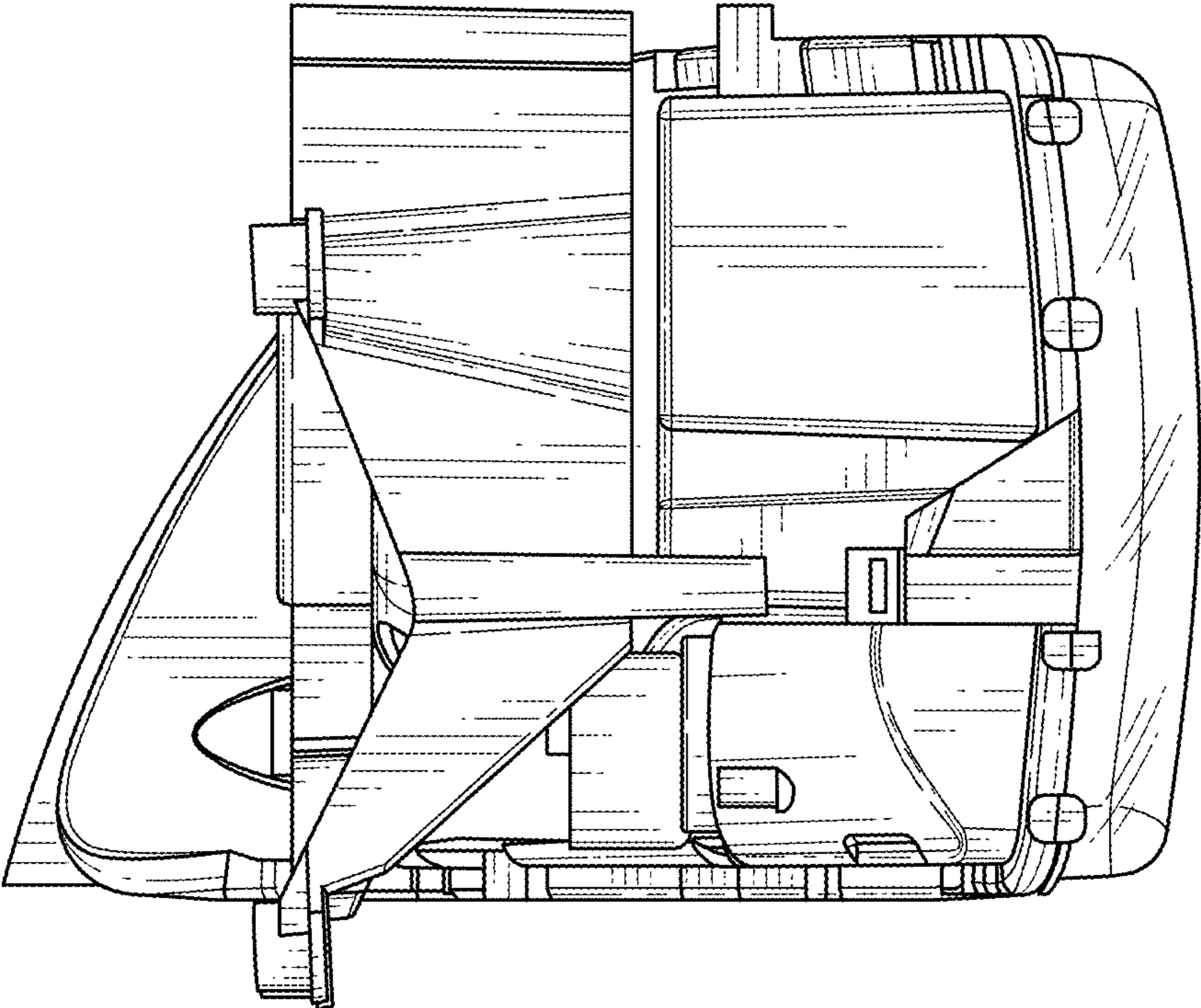


FIG. 4

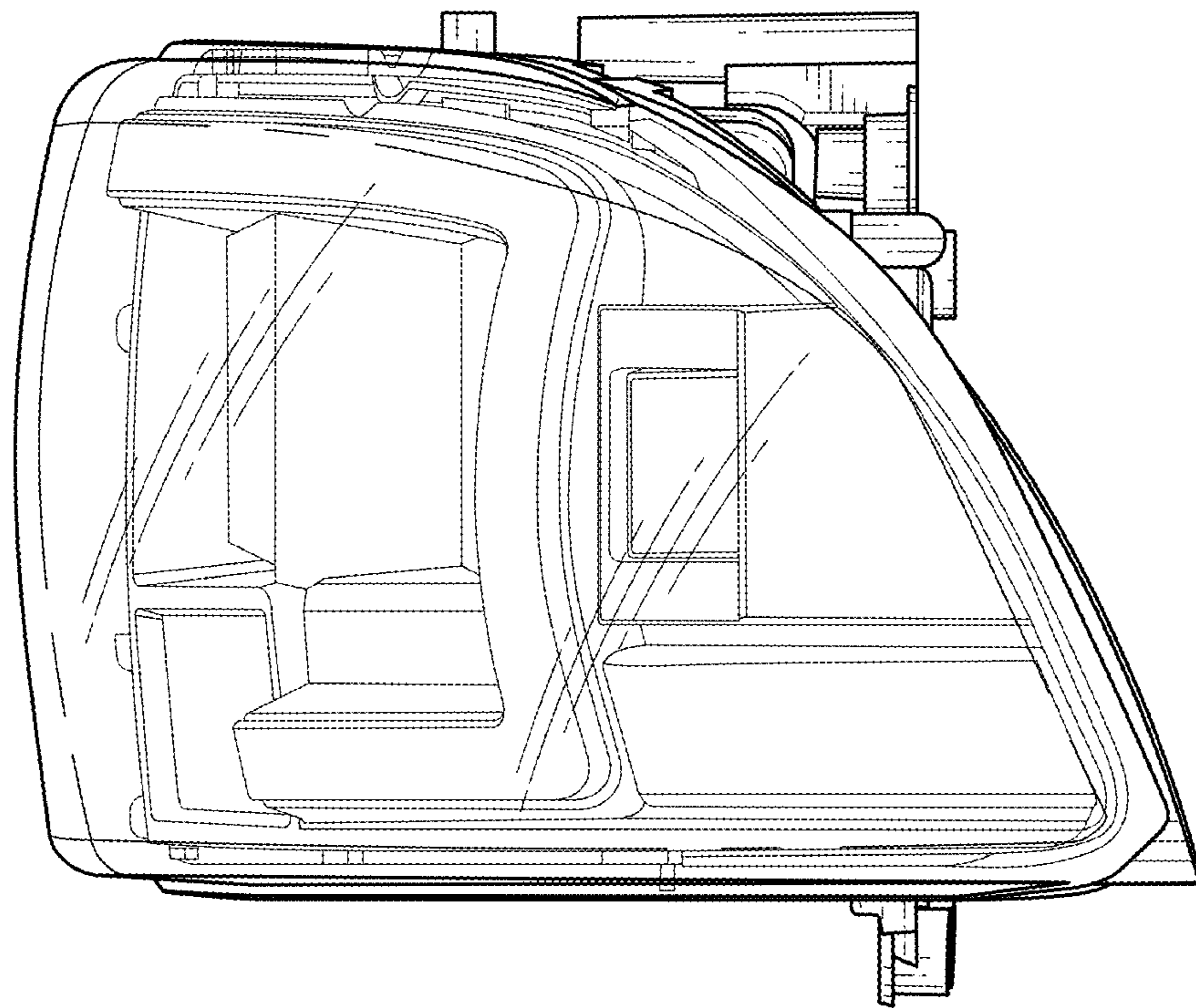


FIG. 5

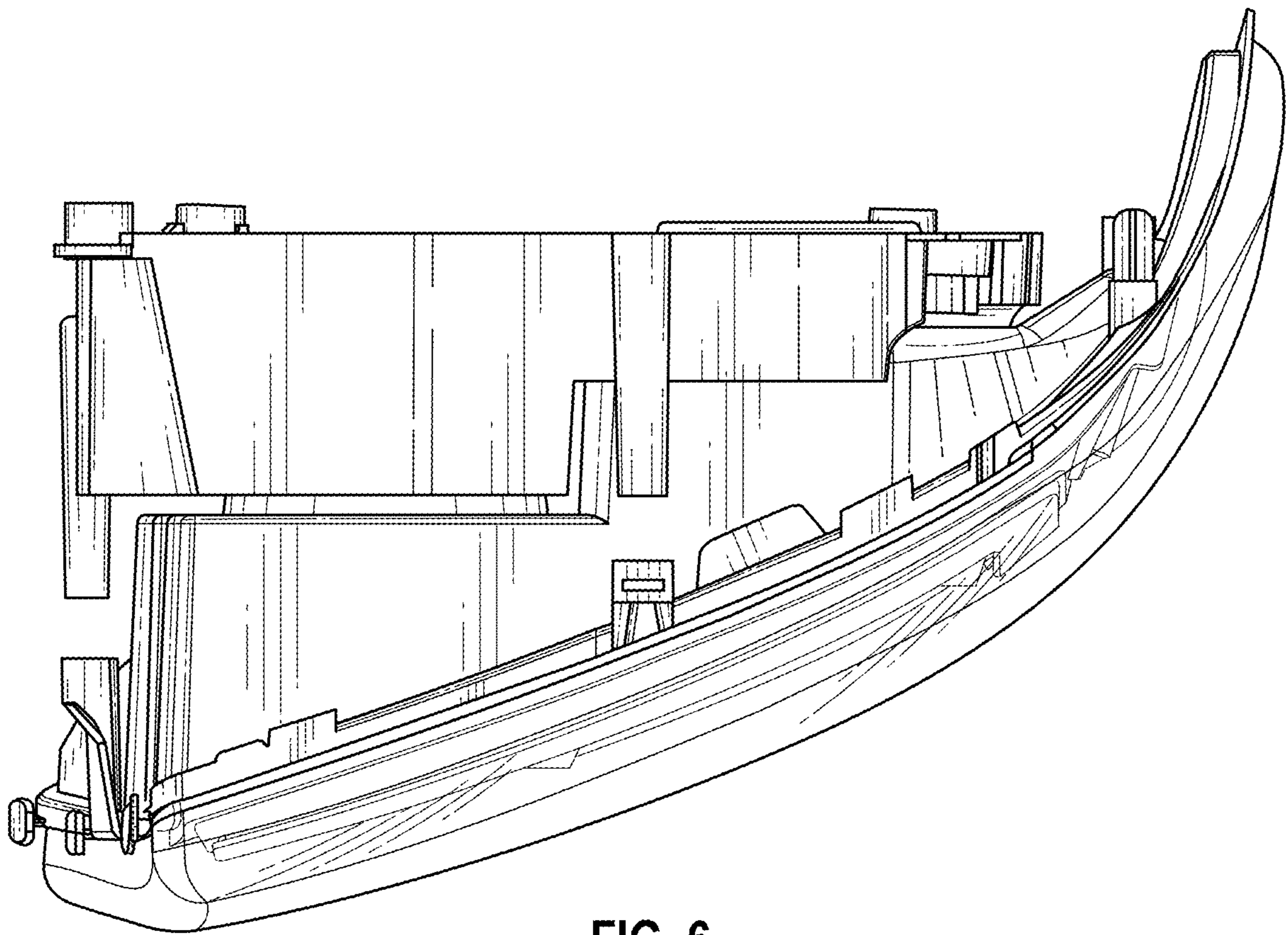


FIG. 6

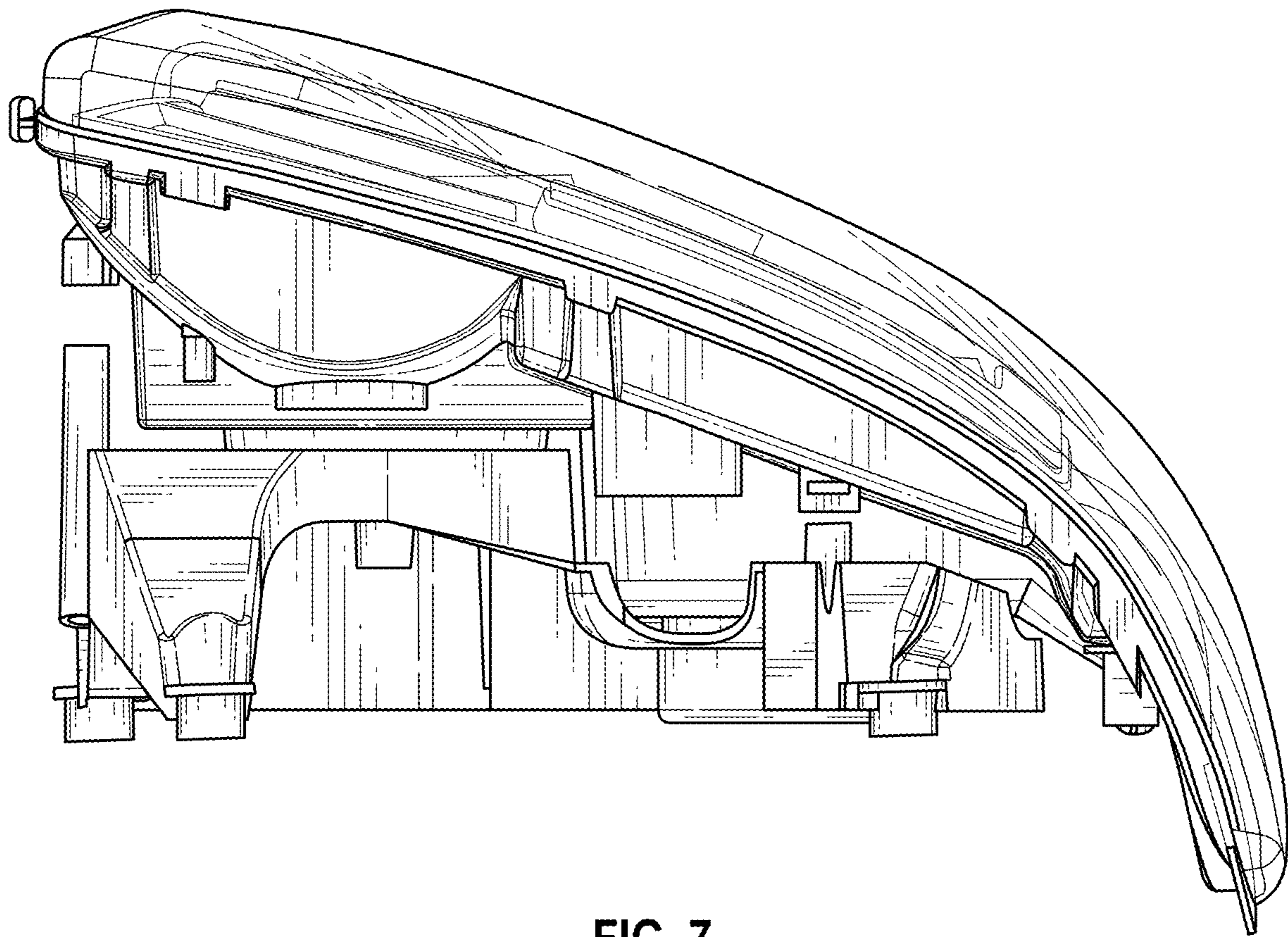


FIG. 7