



US00D954303S

(12) **United States Design Patent**
Wang

(10) **Patent No.:** **US D954,303 S**
(45) **Date of Patent:** **** Jun. 7, 2022**

(54) **LIGHT STRIP FOR MIRROR**

FOREIGN PATENT DOCUMENTS

(71) Applicant: **Shenzhen Lvneng Lighting Co., Ltd.**,
Guangdong (CN)

CN 201830010349 * 7/2018

(72) Inventor: **Haigang Wang**, Guangdong (CN)

OTHER PUBLICATIONS

(73) Assignee: **Shenzhen Lvneng Lighting Co., Ltd.**,
Shenzhen (CN)

Amazon, "LPHUMEX Led Vanity Mirror Lights", first available
Apr. 22, 2019. (<https://www.amazon.com/Hollywood-Dimmable-Control-Bathroom-Included/dp/B07R1XJNT9/>) (Year: 2019).*

(**) Term: **15 Years**

(Continued)

(21) Appl. No.: **29/779,105**

Primary Examiner — Lauren D McVey
Assistant Examiner — Justin A Johnson

(22) Filed: **Apr. 16, 2021**

(57) **CLAIM**

(51) **LOC (13) Cl.** **26-04**

The ornamental design for light strip for mirror, as shown
and described.

(52) **U.S. Cl.**

USPC **D26/25**

DESCRIPTION

(58) **Field of Classification Search**

USPC D6/308; D26/1, 2, 24, 25, 93
CPC F21L 2/00; F21L 4/00; F21L 4/02; F21L
4/025; F21L 4/027; F21L 14/00; F21L
4/06; F21S 2/00; F21S 8/03; F21S 8/033;
F21S 4/10; F21S 4/15
See application file for complete search history.

FIG. 1 is a perspective view of a light strip for mirror
showing my new design according to a first embodiment;
FIG. 2 is a front elevation view thereof;
FIG. 3 is a back elevation view thereof;
FIG. 4 is a left side elevation view thereof;
FIG. 5 is a right side elevation view thereof;
FIG. 6 is a top plan view thereof; and
FIG. 7 is a bottom plan view thereof.

(56) **References Cited**

U.S. PATENT DOCUMENTS

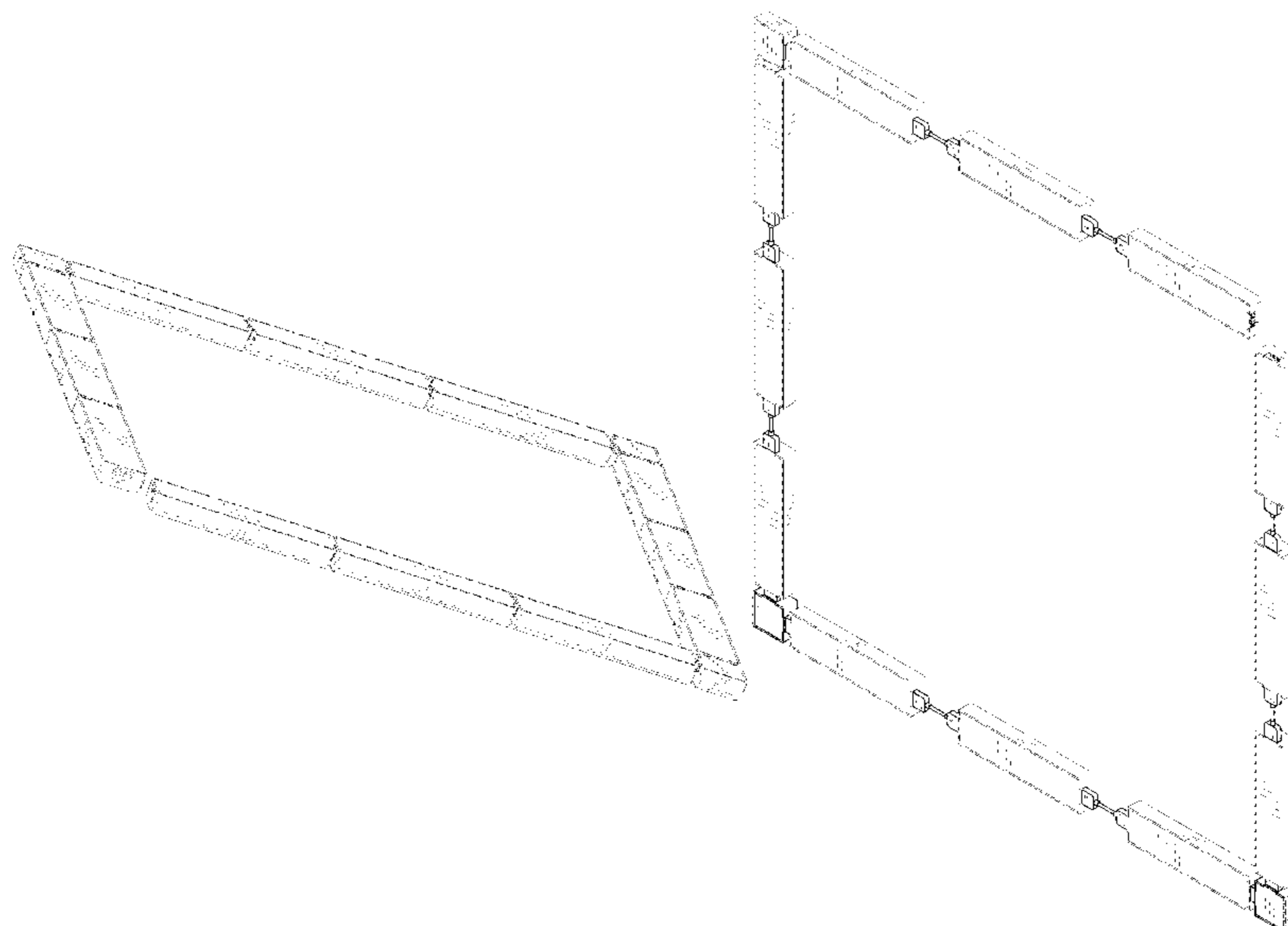
D571,938 S *	6/2008	Uemoto	D26/1
D606,229 S	12/2009	Johansen		
D624,671 S *	9/2010	Greene	D26/25
D625,877 S *	10/2010	Hsu	D26/80
D639,568 S *	6/2011	Lee	D6/308
D679,036 S *	3/2013	Inoue	D26/24
D700,098 S	2/2014	Deyaf		
10,258,174 B2 *	4/2019	Huerta	A47G 1/02
D869,695 S *	12/2019	Deng	D26/25
D885,615 S *	5/2020	Antony	D26/1
D887,032 S *	6/2020	Toledo	D26/1
D906,561 S *	12/2020	Velez	D26/60
D915,084 S *	4/2021	Choi	D6/308

FIG. 8 is a perspective view of a light strip for mirror
according to a second embodiment;
FIG. 9 is a front elevation view thereof;
FIG. 10 is a back elevation view thereof;
FIG. 11 is a left side elevation view thereof;
FIG. 12 is a right side elevation view thereof;
FIG. 13 is a top plan view thereof; and,
FIG. 14 is a bottom plan view thereof.

The broken lines immediately adjacent to the shaded areas
depict the bounds of the claimed design, while all other
broken lines are directed to environment. The broken lines
form no part of the claimed design.

(Continued)

1 Claim, 14 Drawing Sheets



(56)

References Cited

U.S. PATENT DOCUMENTS

D923,945 S * 7/2021 Du A47G 1/02
D6/308
D930,370 S * 9/2021 Choi D6/308

OTHER PUBLICATIONS

Amazon, "Wobsion Makeup Mirror Lights", first available Dec. 23, 2020. (<https://www.amazon.com/dp/B08R7M9FFP/>) (Year: 2020).*

Amazon, "SELFILA Led Vanity Mirror Lights", first available Jun. 18, 2020. (<https://www.amazon.com/dp/B08BHTJQ48/>) (Year: 2020).*

Amazon, "Hollywood Glam Led Vanity Lights", first available May 31, 2021. (<https://www.amazon.com/dp/B096F9MKMH/>) (Year: 2021).*

* cited by examiner

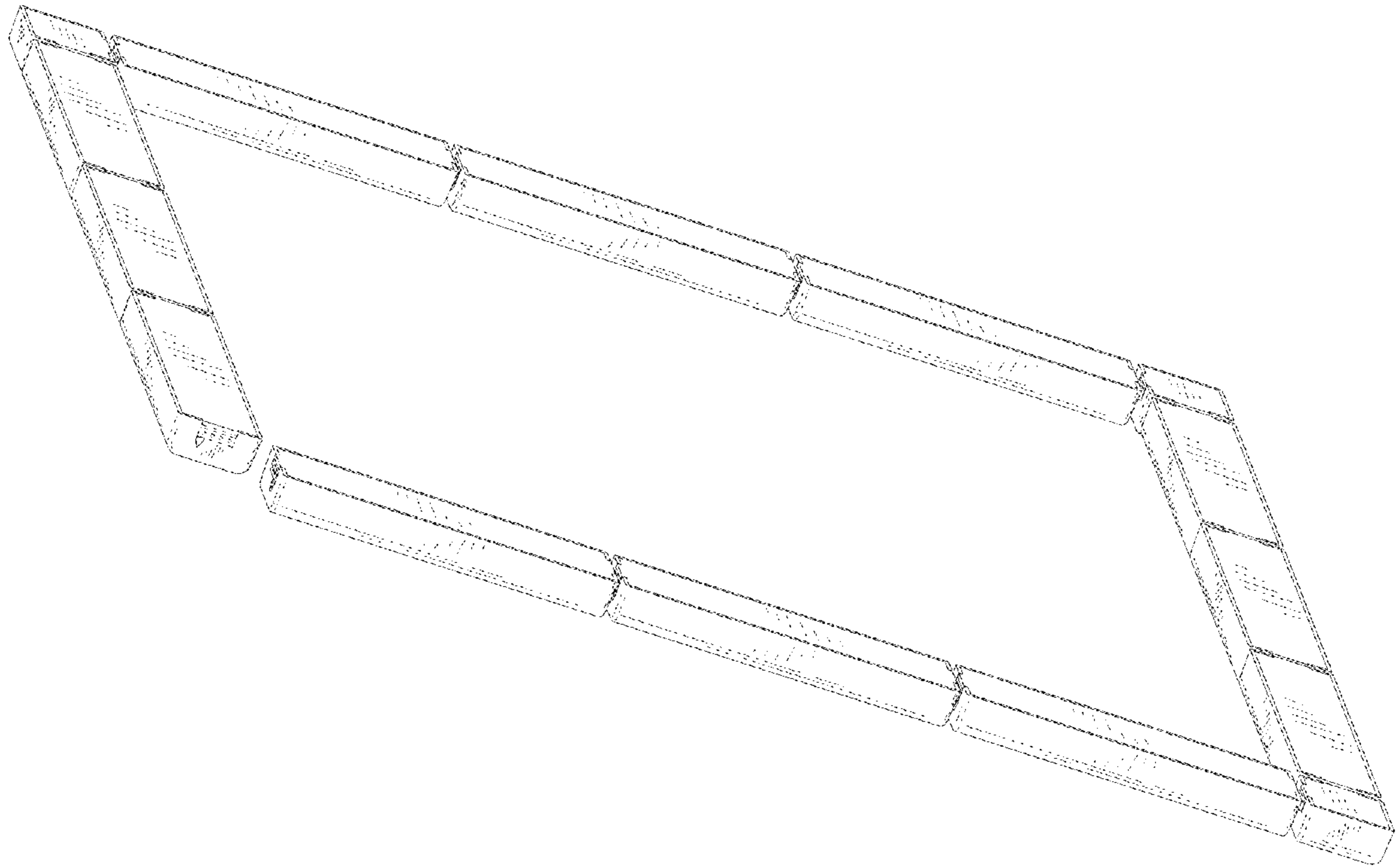


FIG 1

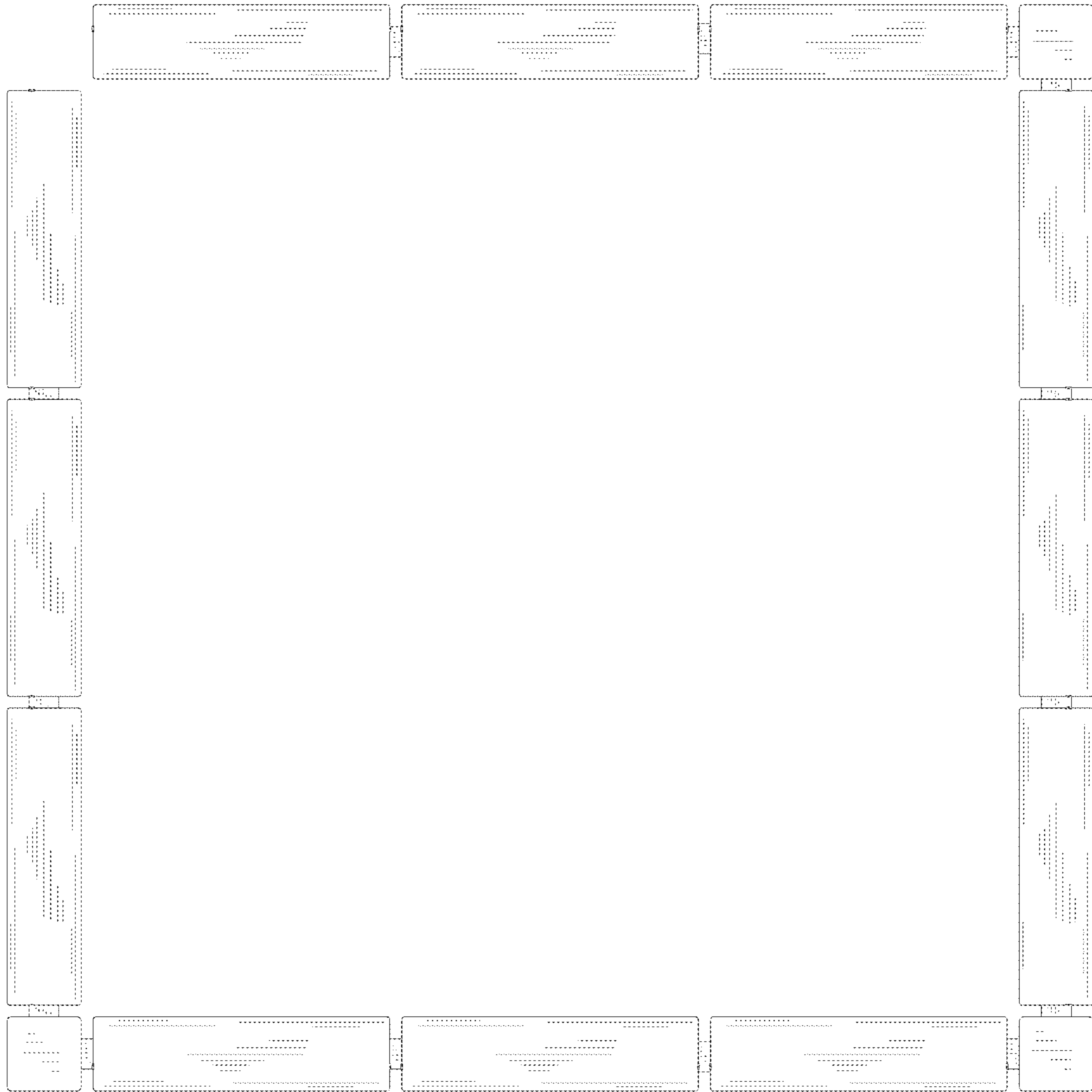


FIG. 2

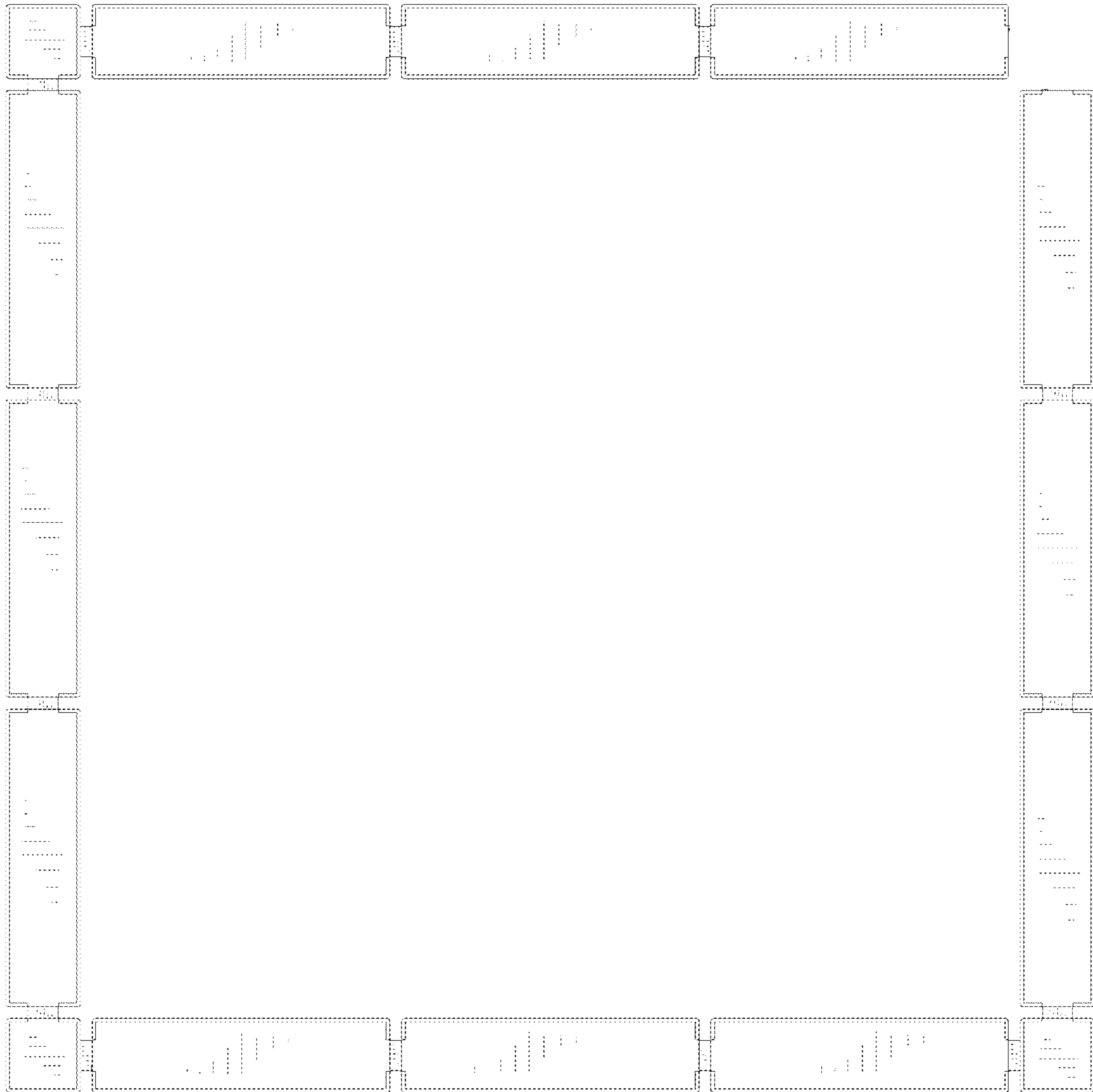


FIG. 3



FIG. 4

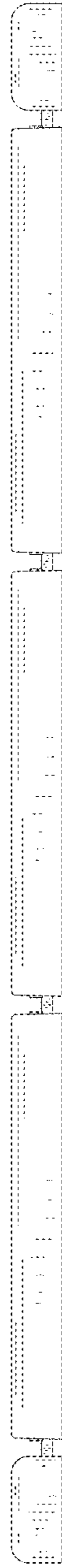


FIG. 5

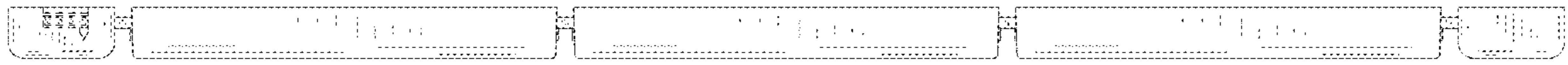


FIG. 6

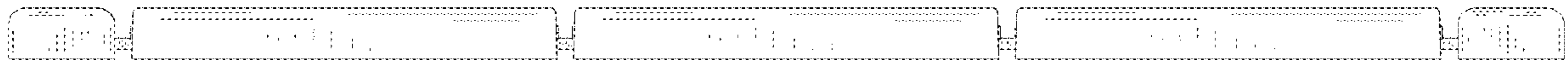


FIG. 7

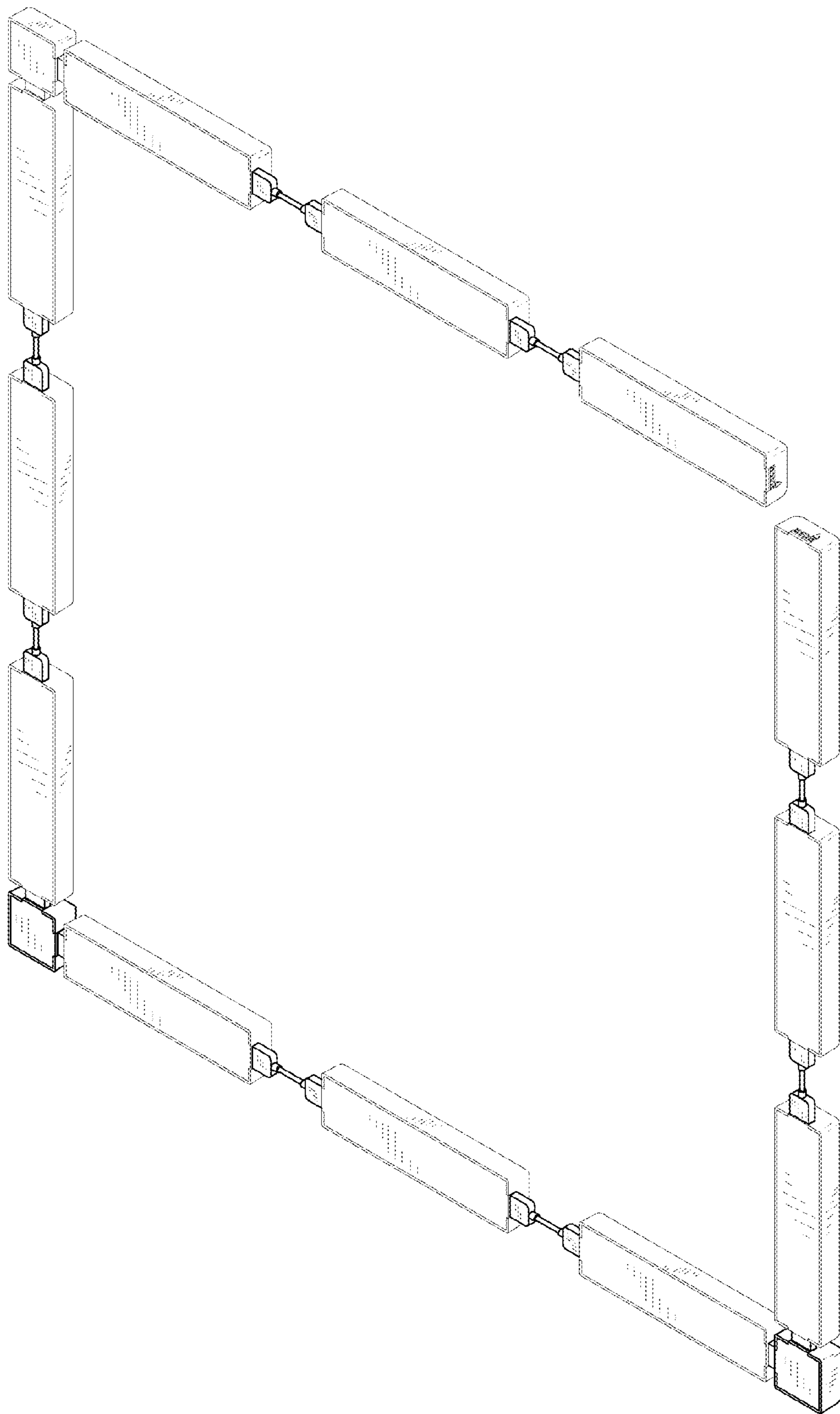


FIG. 8

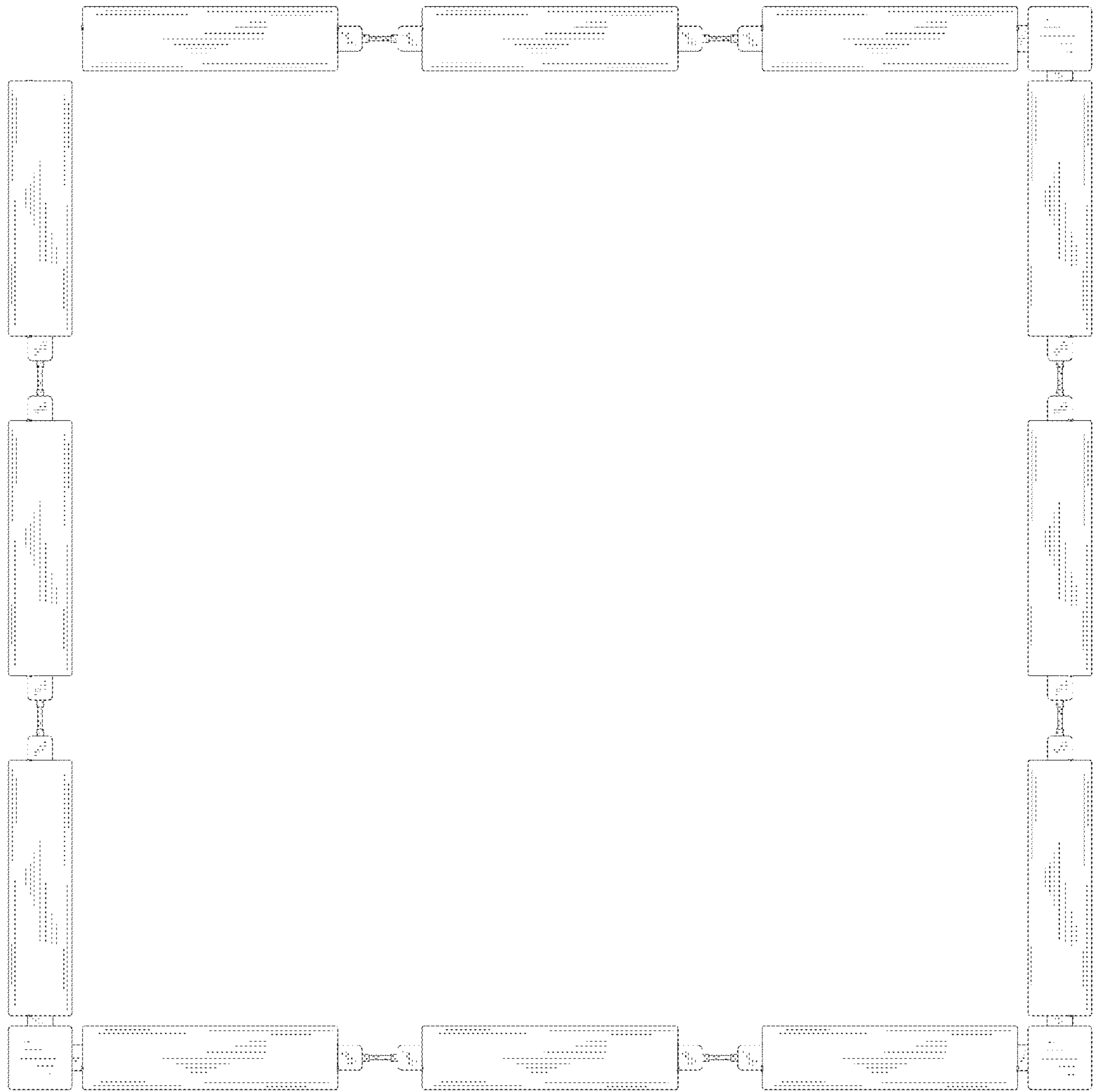


FIG. 9

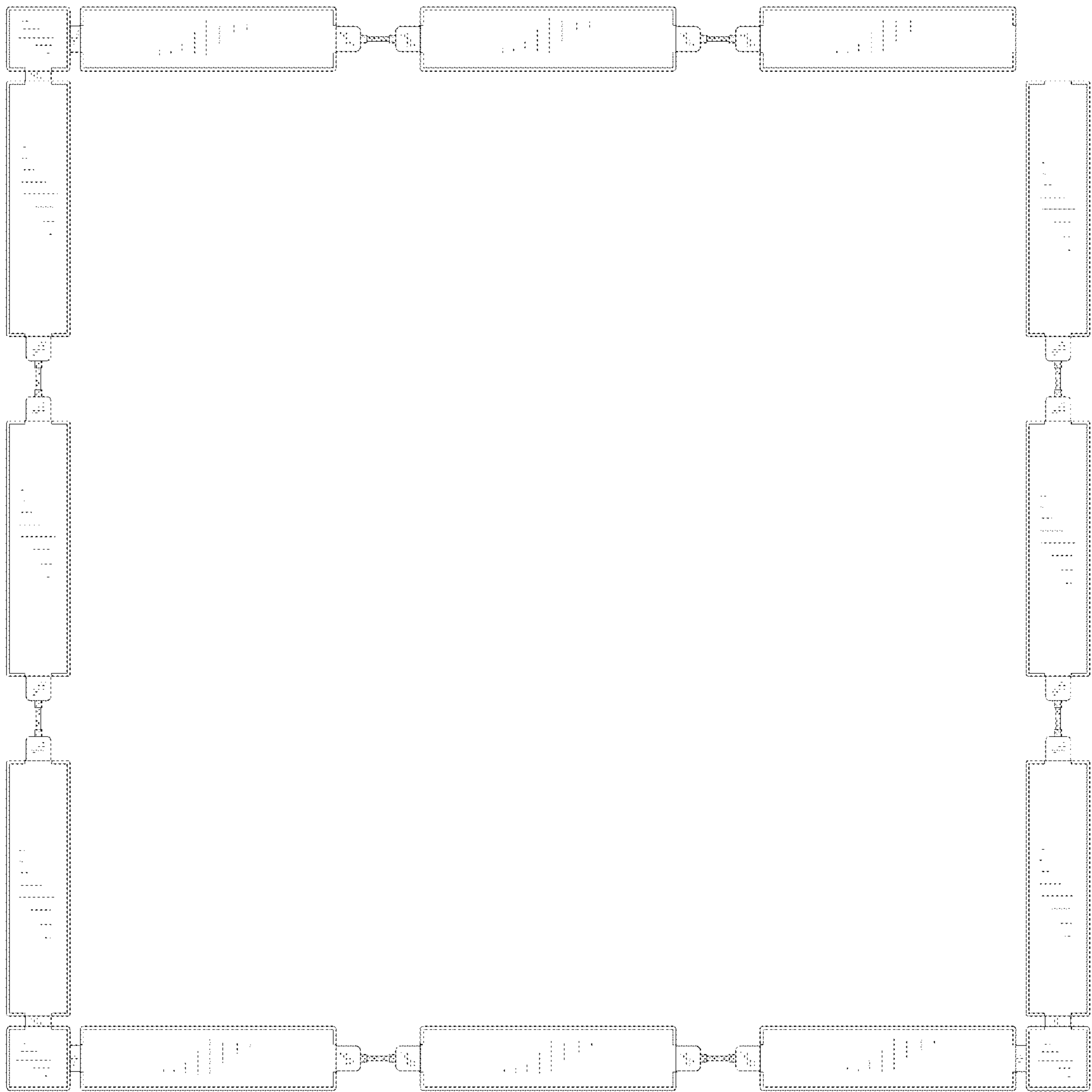


FIG.10

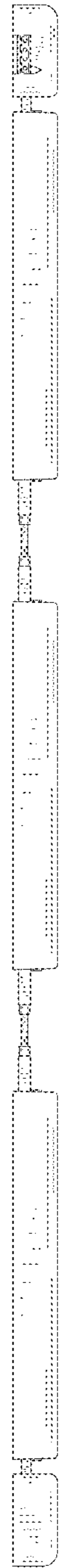


FIG. 11

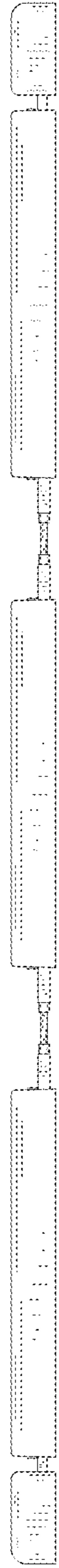


FIG. 12

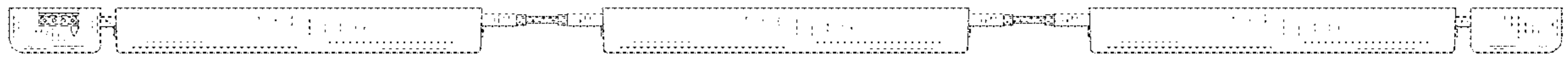


FIG. 13

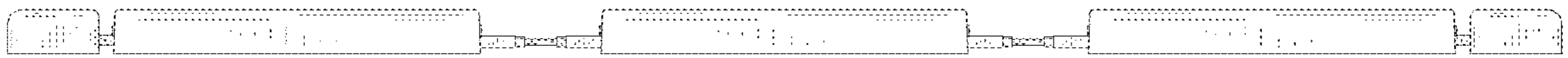


FIG.14