



US00D954302S

(12) **United States Design Patent** (10) **Patent No.:** **US D954,302 S**
Nelson et al. (45) **Date of Patent:** **** Jun. 7, 2022**

(54) **WINDOW COMPONENT**

(56) **References Cited**

(71) Applicant: **JELD-WEN, Inc.**, Charlotte, NC (US)

U.S. PATENT DOCUMENTS

(72) Inventors: **Jacob Nelson**, Klamath Falls, OR (US);
Yoshua Gombo, Seattle, WA (US);
David Belau, Klamath Falls, OR (US);
Ryan Schroeder, Klamath Falls, OR
(US); **Jerry Jones**, Klamath Falls, OR
(US)

7,003,917 B2 * 2/2006 Hetherington E04F 21/0015
294/15
10,844,654 B1 * 11/2020 Smith E06B 7/14
10,876,334 B2 * 12/2020 Santiago E04G 23/0277
2015/0040492 A1 * 2/2015 Rafter E06B 3/96
52/204.62
2020/0190896 A1 * 6/2020 Kindt E06B 7/14
2021/0010321 A1 * 1/2021 Gombo E06B 7/14

(73) Assignee: **JELD-WEN, Inc.**, Charlotte, NC (US)

* cited by examiner

(**) Term: **15 Years**

Primary Examiner — Llorellys Martinez

(21) Appl. No.: **29/710,181**

(74) *Attorney, Agent, or Firm* — Lorenz & Kopf, LLP

(22) Filed: **Oct. 21, 2019**

(57) **CLAIM**

The ornamental design for a window component, as shown and described.

(51) **LOC (13) Cl.** **25-99**

DESCRIPTION

(52) **U.S. Cl.**

USPC **D25/199**

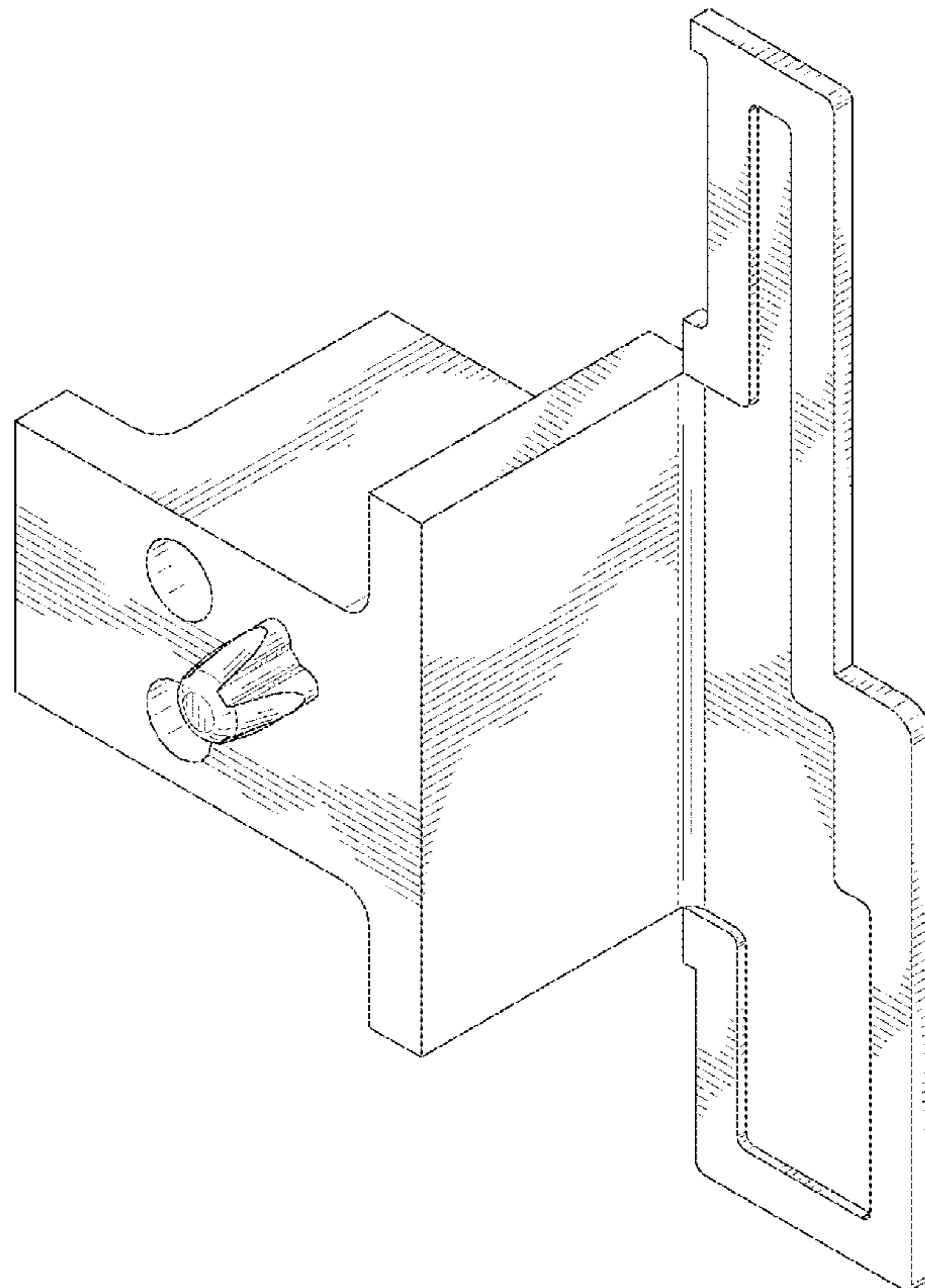
(58) **Field of Classification Search**

USPC D25/35, 47.1, 48.2, 60, 119–124, 199;
D8/330, 331, 338, 342, 343, 382, 394,
D8/499

CPC E05C 17/00; E05C 19/02; E05C 19/022;
E05D 13/00; E05D 13/04; E05D 13/06;
E05D 13/08; E06B 3/96; E06B 7/12;
E06B 7/14; E06B 7/26

See application file for complete search history.

1 Claim, 7 Drawing Sheets



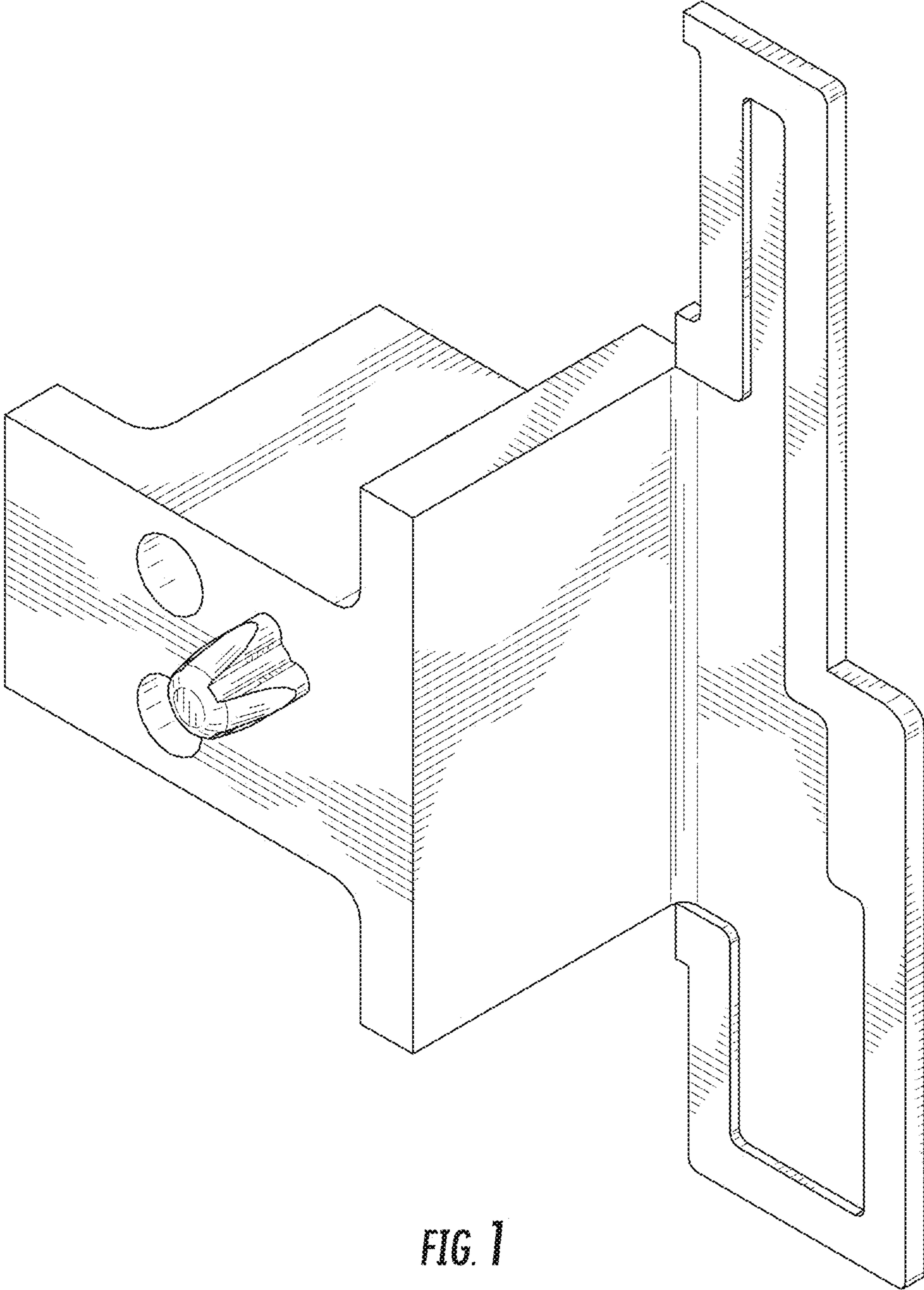


FIG. 1

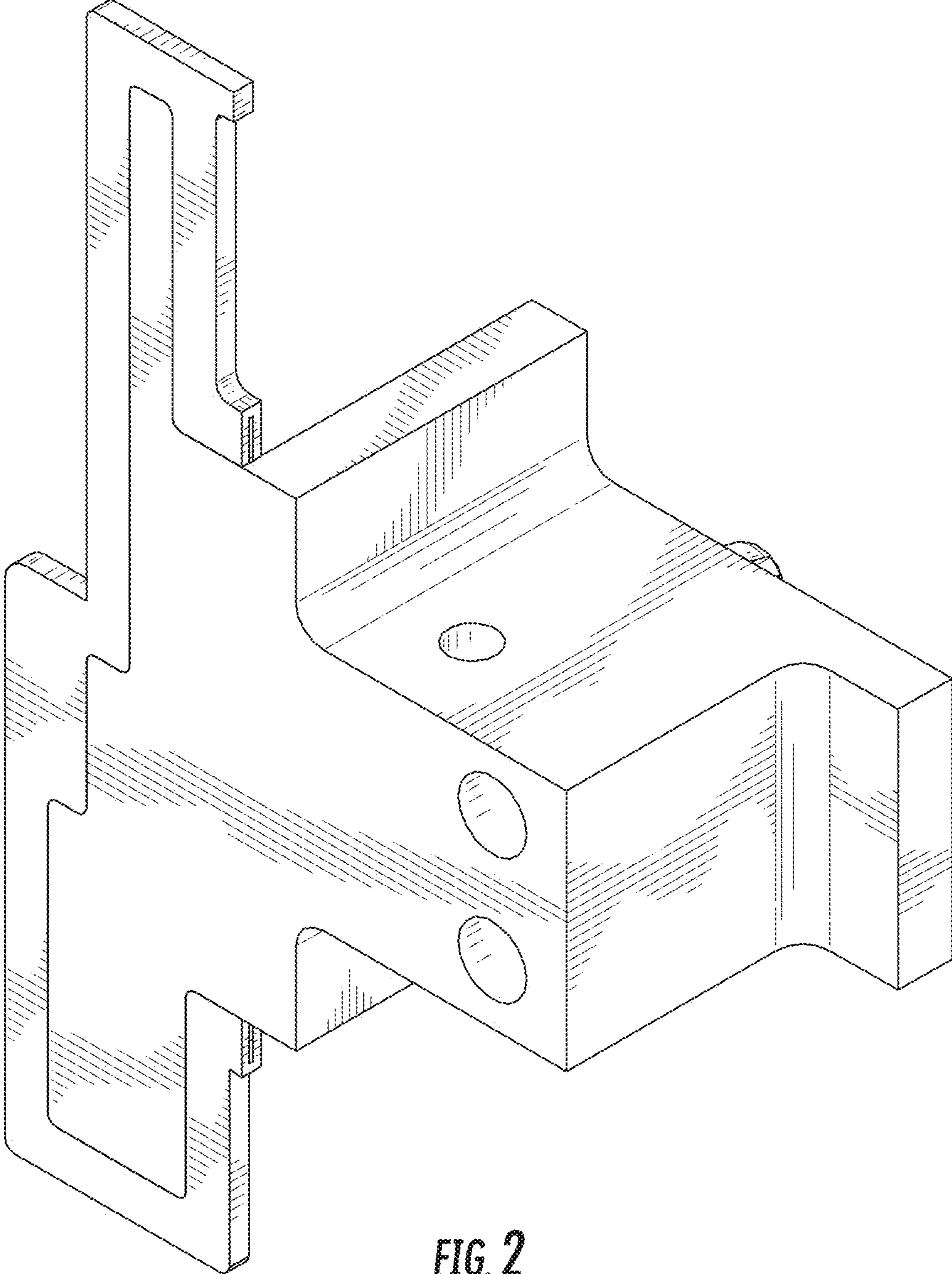


FIG. 2

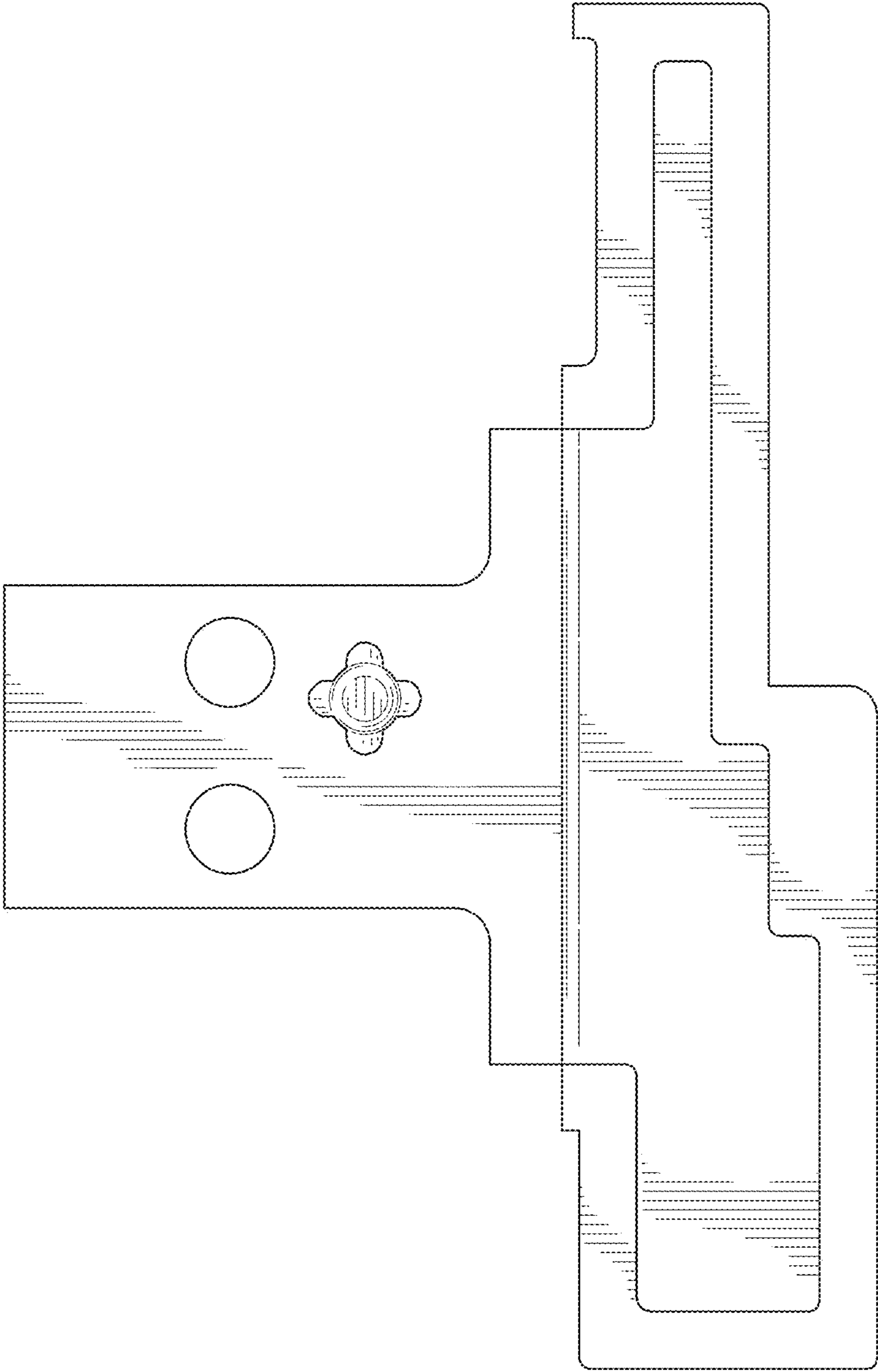


FIG. 3

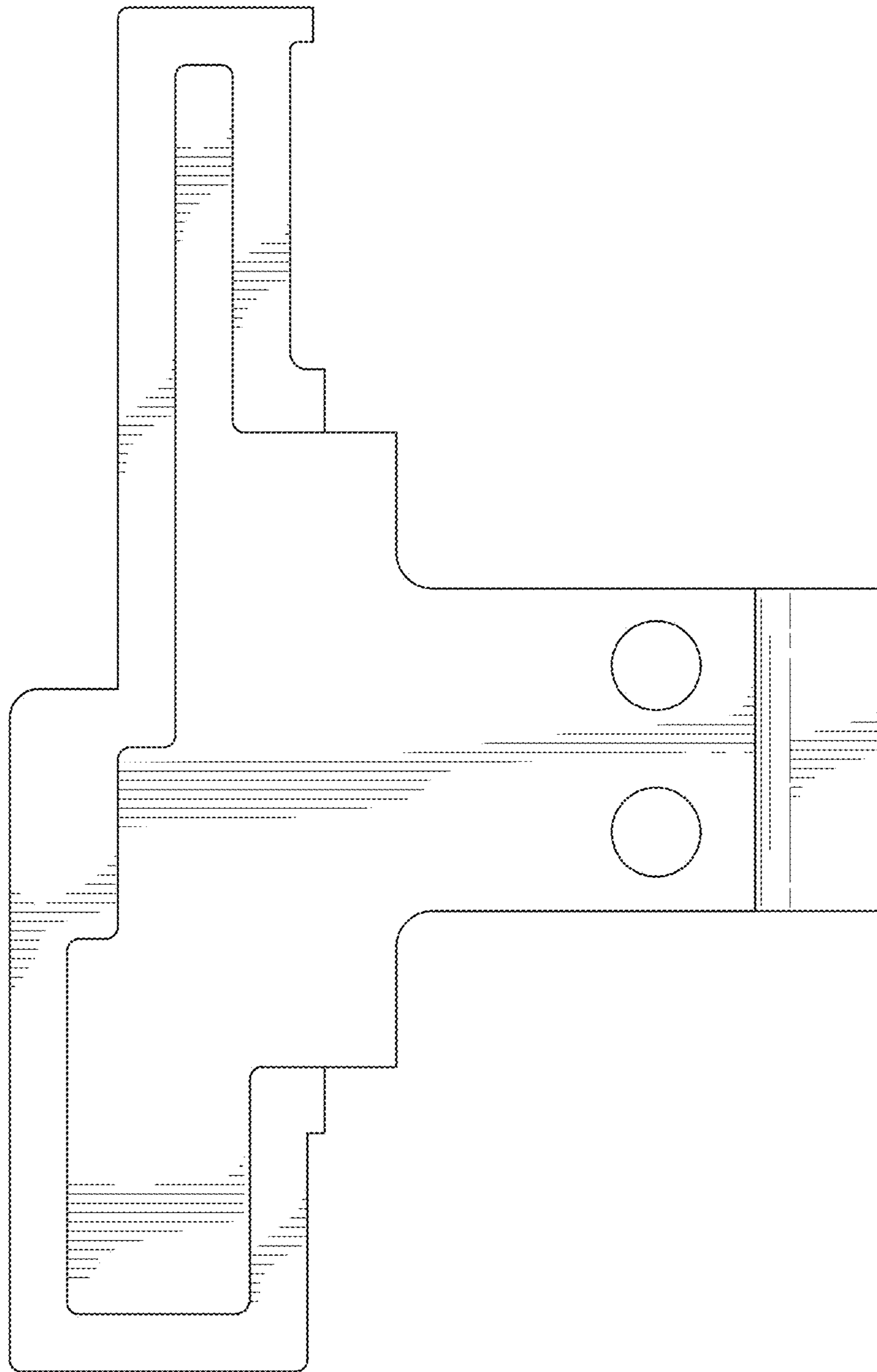


FIG. 4

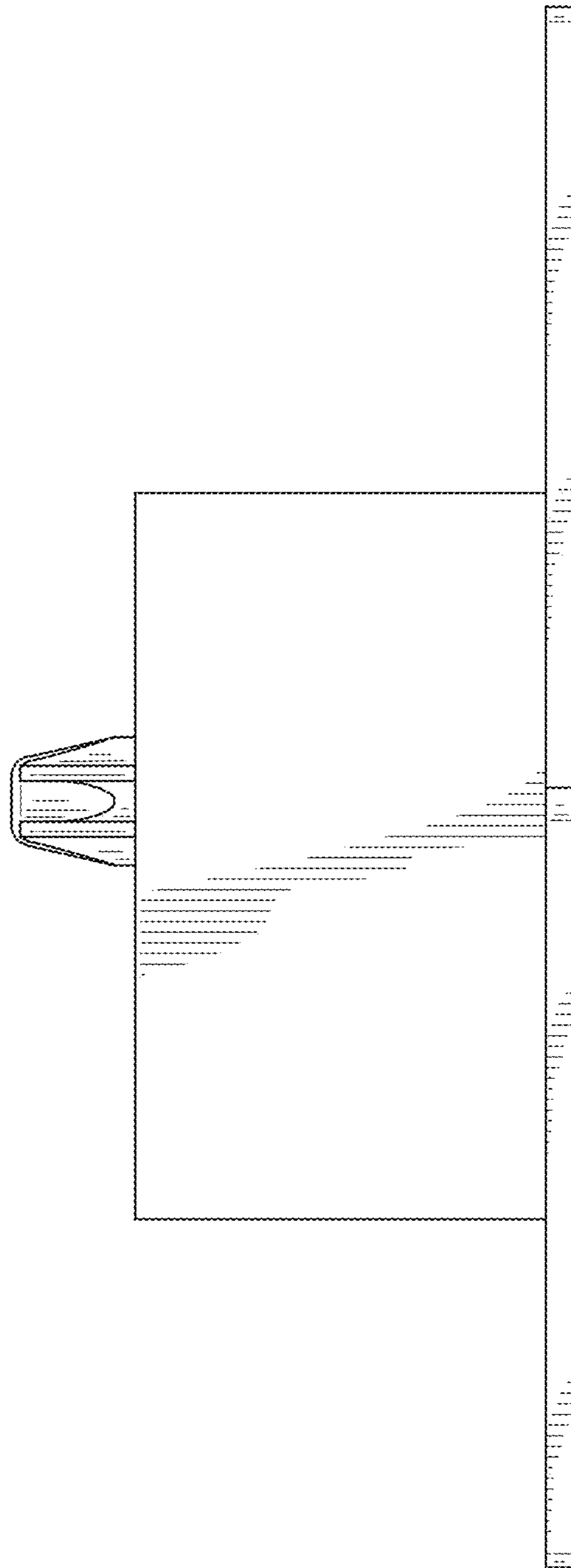


FIG. 5

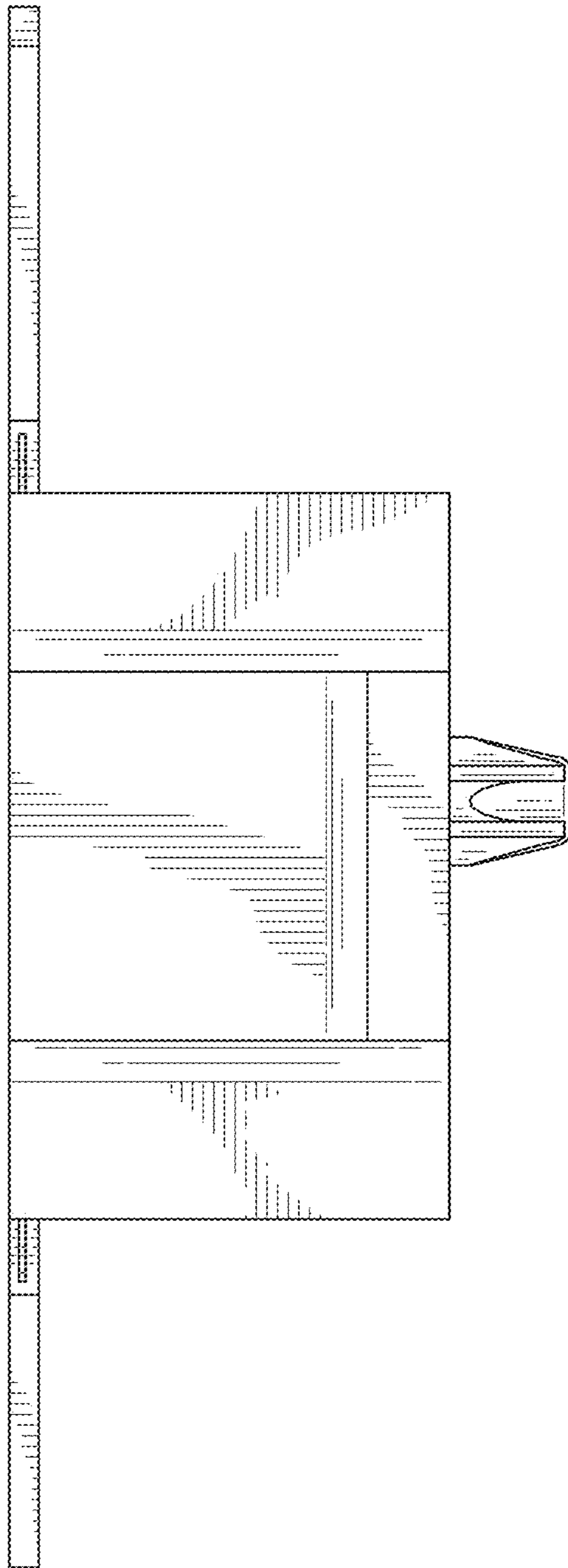


FIG. 6

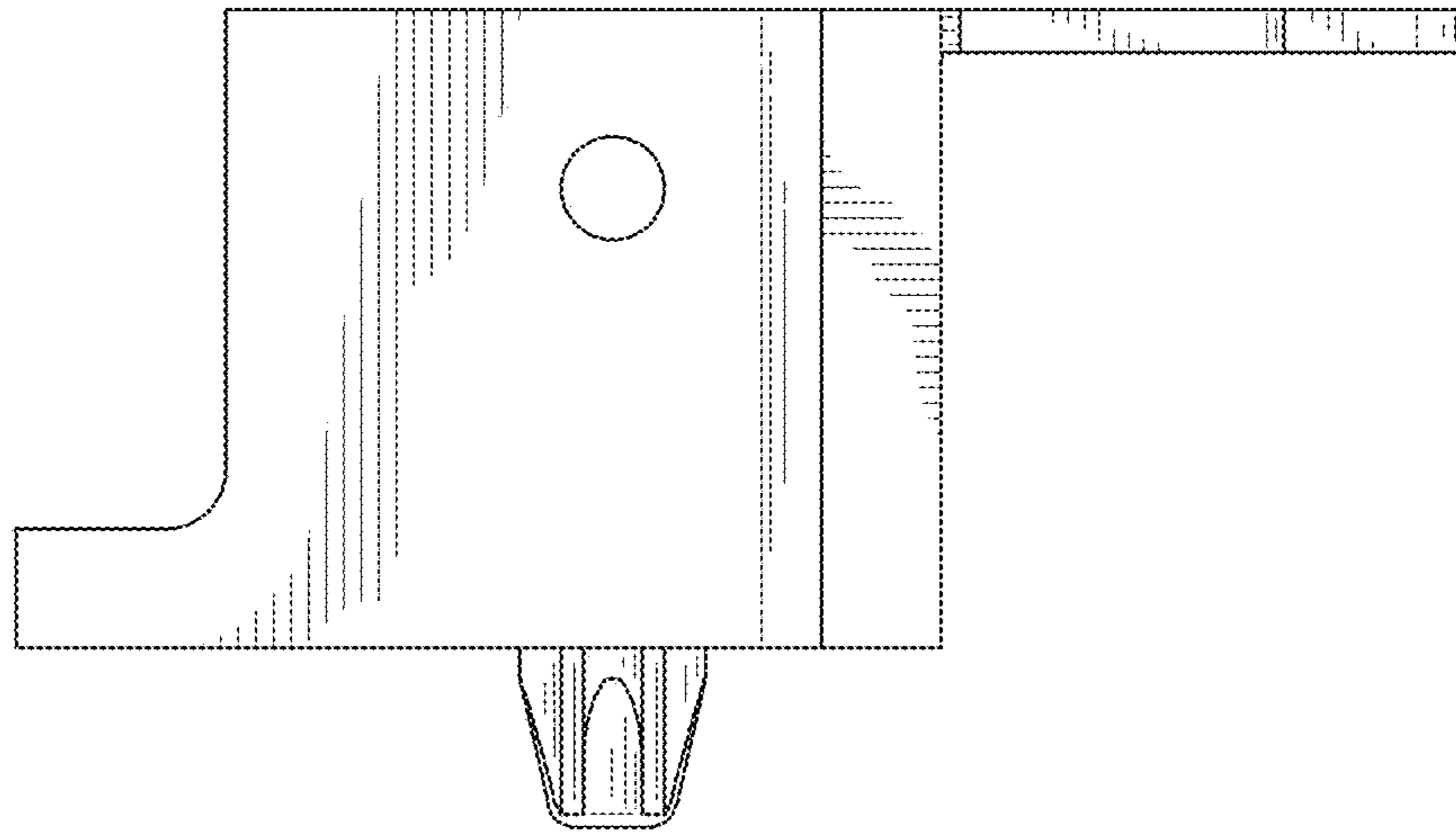


FIG. 7

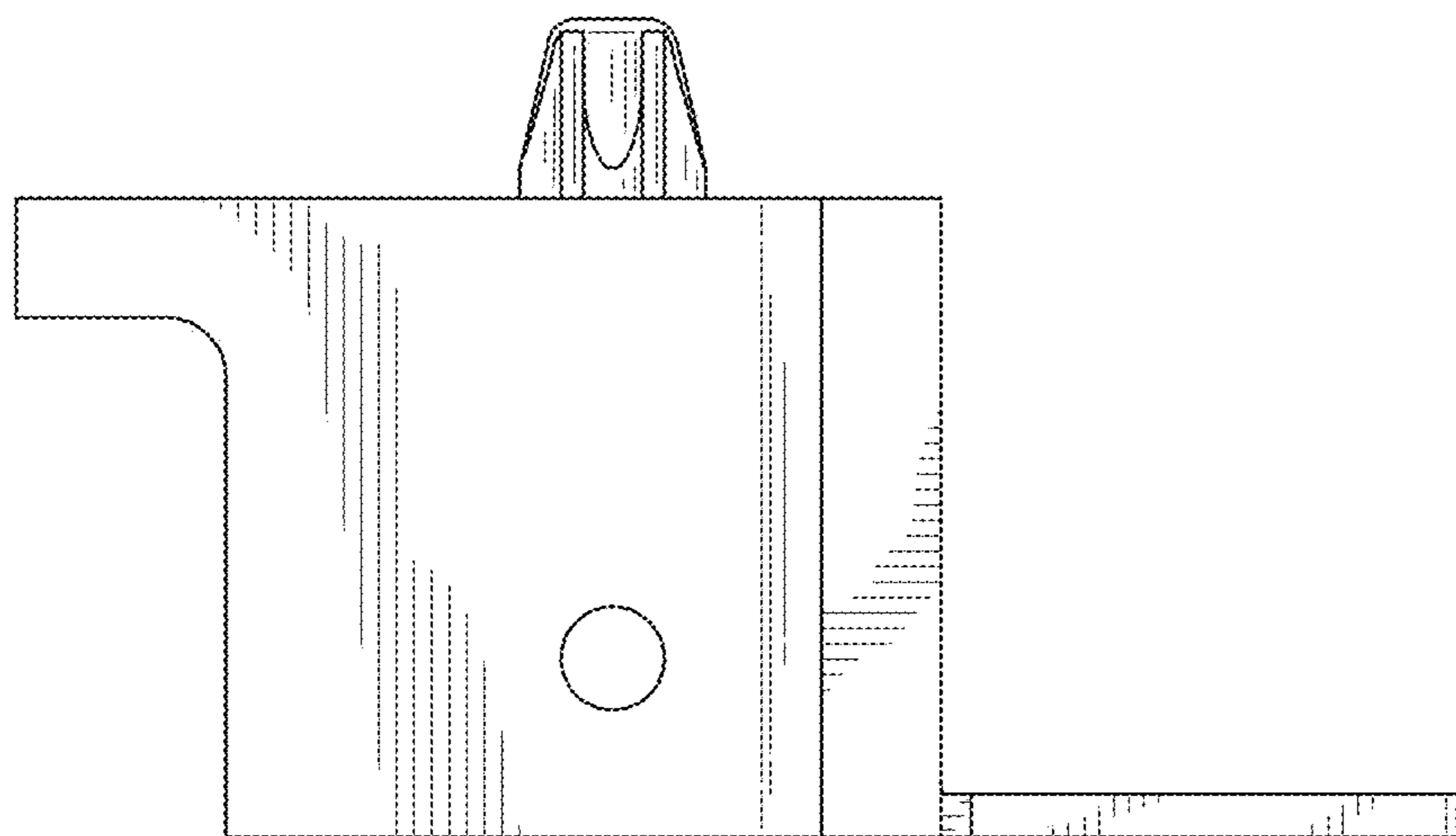


FIG. 8