



US00D954299S

(12) **United States Design Patent**  
**Yang**

(10) **Patent No.:** **US D954,299 S**  
(45) **Date of Patent:** **\*\* Jun. 7, 2022**

(54) **BARRIER GATE**

FOREIGN PATENT DOCUMENTS

(71) Applicant: **ZKTECO CO., LTD.**, Dongguan (CN)

EM 007848767-0001 \* 5/2020  
GB 9007848767-0001 \* 4/2020

(72) Inventor: **Suzhen Yang**, Dongguan (CN)

\* cited by examiner

(73) Assignee: **ZKTECO CO., LTD.**, Dongguan (CN)

*Primary Examiner* — Leanne Was-Englehart

(\*\*) Term: **15 Years**

(74) *Attorney, Agent, or Firm* — Cantor Colburn LLP

(21) Appl. No.: **29/733,287**

(22) Filed: **Apr. 30, 2020**

(57) **CLAIM**

(30) **Foreign Application Priority Data**

The ornamental design for a “barrier gate,” as shown and described.

Nov. 1, 2019 (CN) ..... 201930600603.9

(51) **LOC (13) Cl.** ..... **25-02**

(52) **U.S. Cl.**  
USPC ..... **D25/48.6**

(58) **Field of Classification Search**  
USPC ..... D25/48.1, 48.3, 48.5, 48.6  
CPC .. G07C 9/00; G07C 9/15; E06B 11/00; E06B 11/08; E06B 11/085; E05F 15/649; G06K 7/087; G06K 7/10326; G07F 17/145  
See application file for complete search history.

**DESCRIPTION**

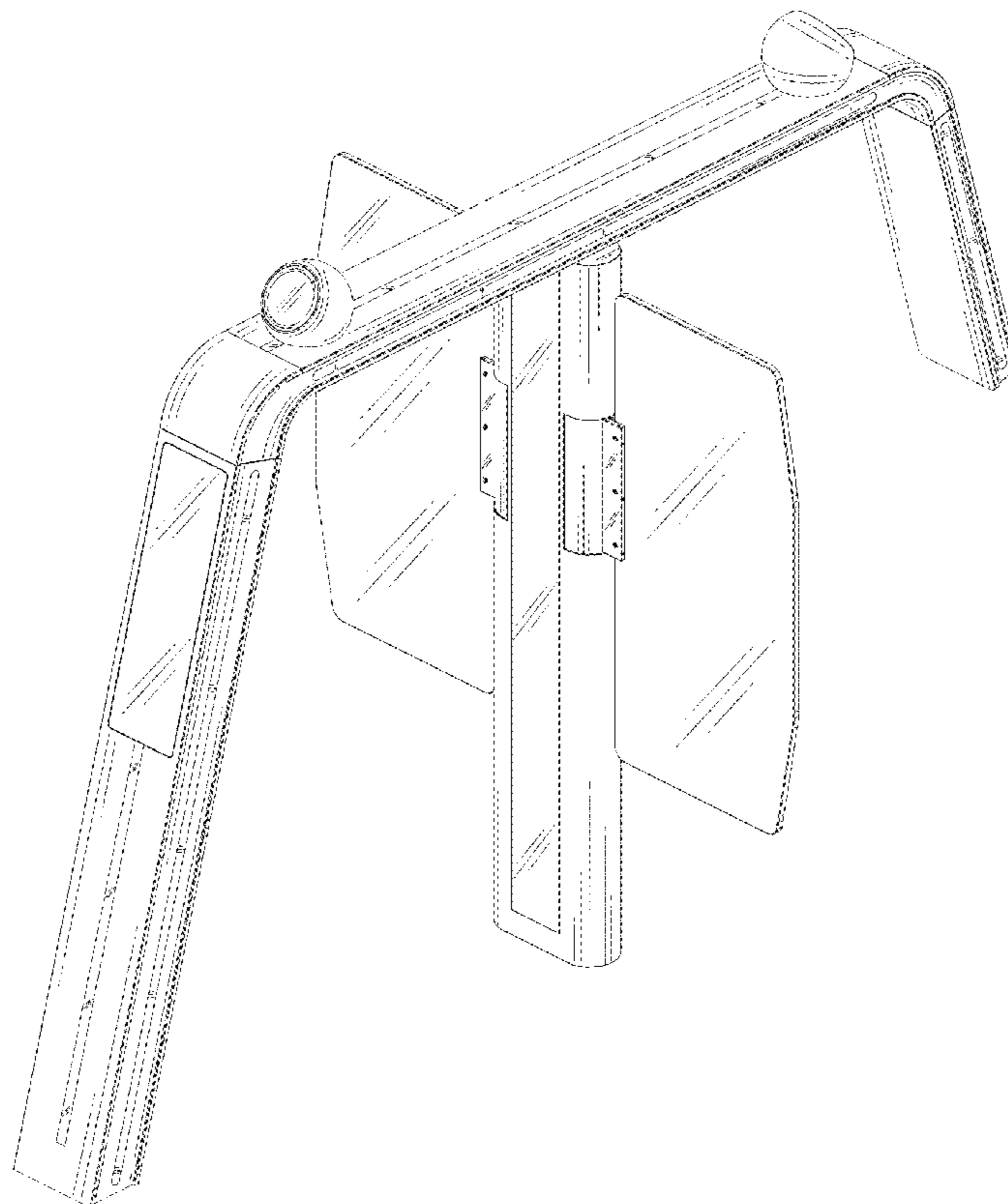
FIG. 1 is a front perspective view of a barrier gate;  
FIG. 2 is a bottom perspective view thereof;  
FIG. 3 is a front view thereof;  
FIG. 4 is a rear view thereof;  
FIG. 5 is a left side view thereof;  
FIG. 6 is a right side view thereof;  
FIG. 7 is a top view thereof; and,  
FIG. 8 is a bottom view thereof.

(56) **References Cited**

U.S. PATENT DOCUMENTS

D696,792 S \* 12/2013 Cheong ..... D25/48.5  
D777,346 S \* 1/2017 Journet ..... D25/48.5  
D905,275 S \* 12/2020 Rauta ..... D25/48.6

**1 Claim, 8 Drawing Sheets**



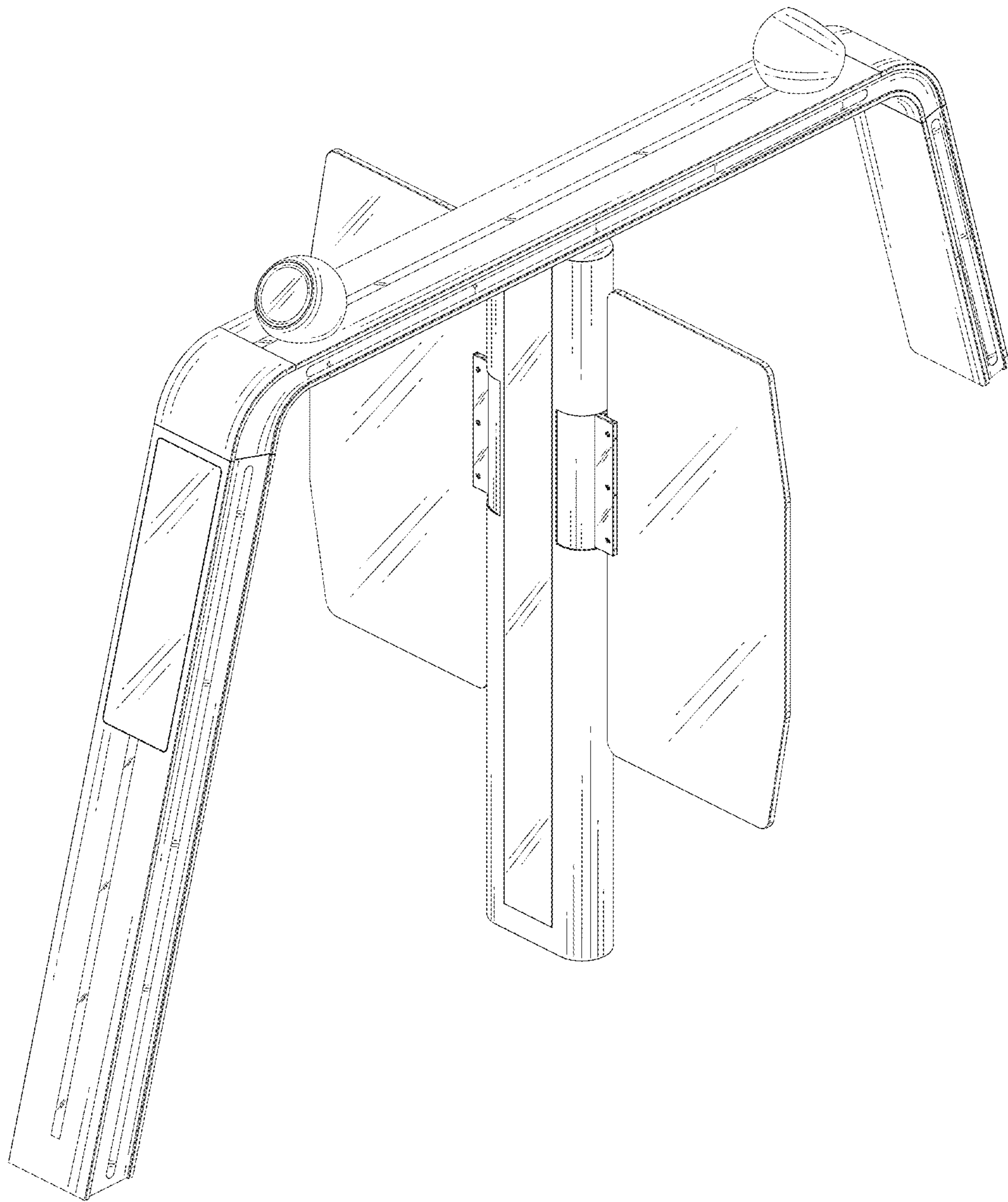


FIG. 1

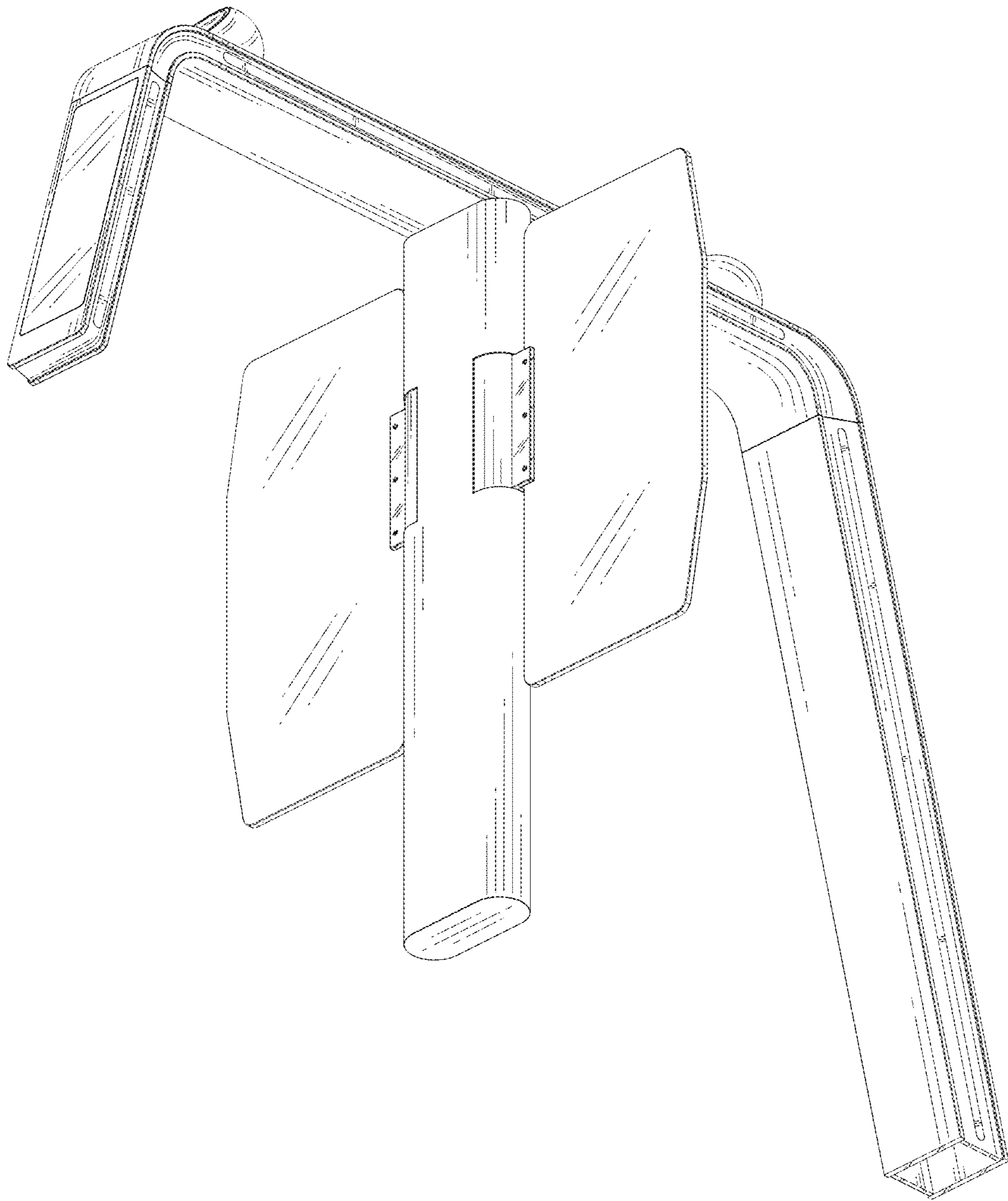


FIG. 2

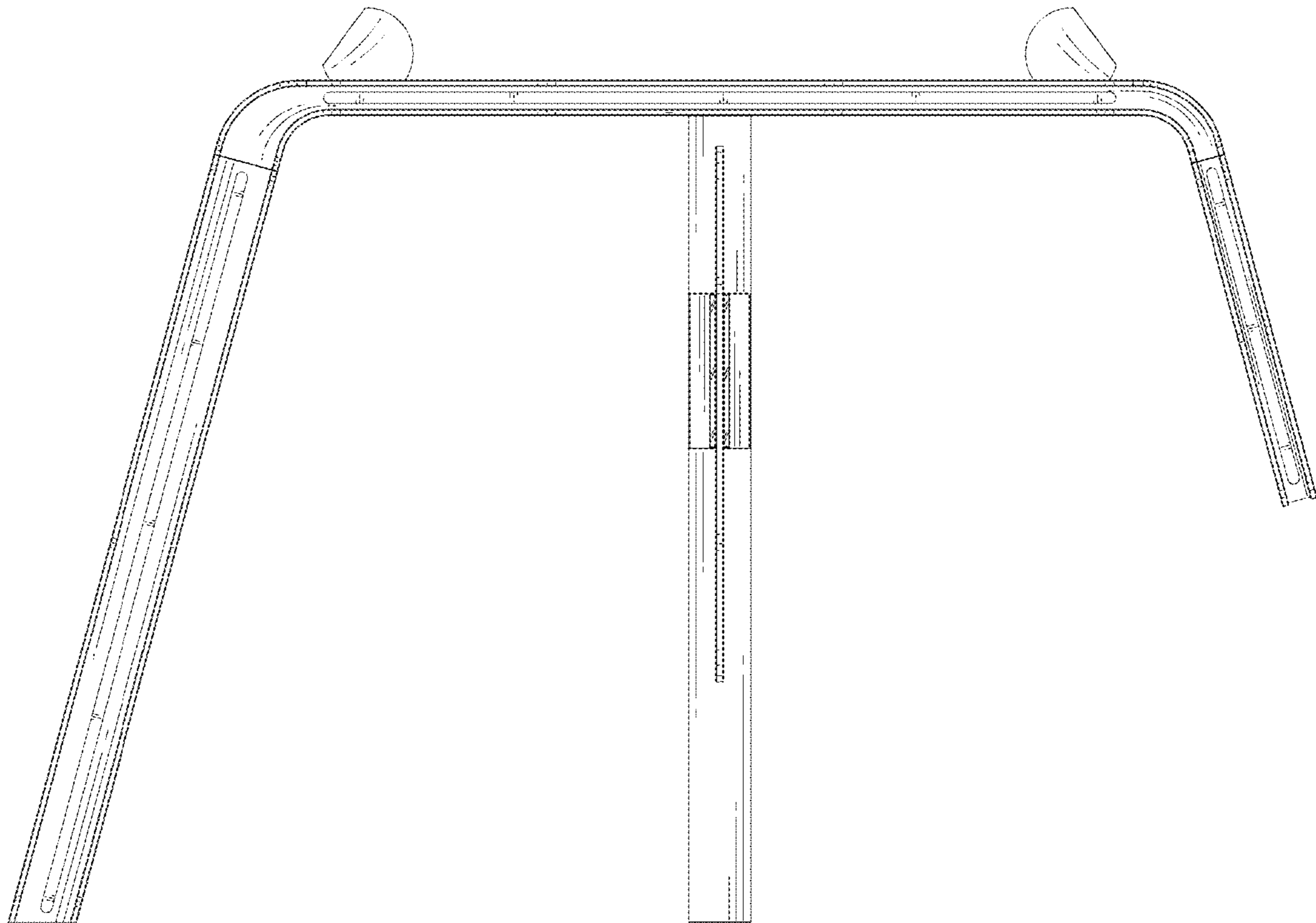


FIG. 3

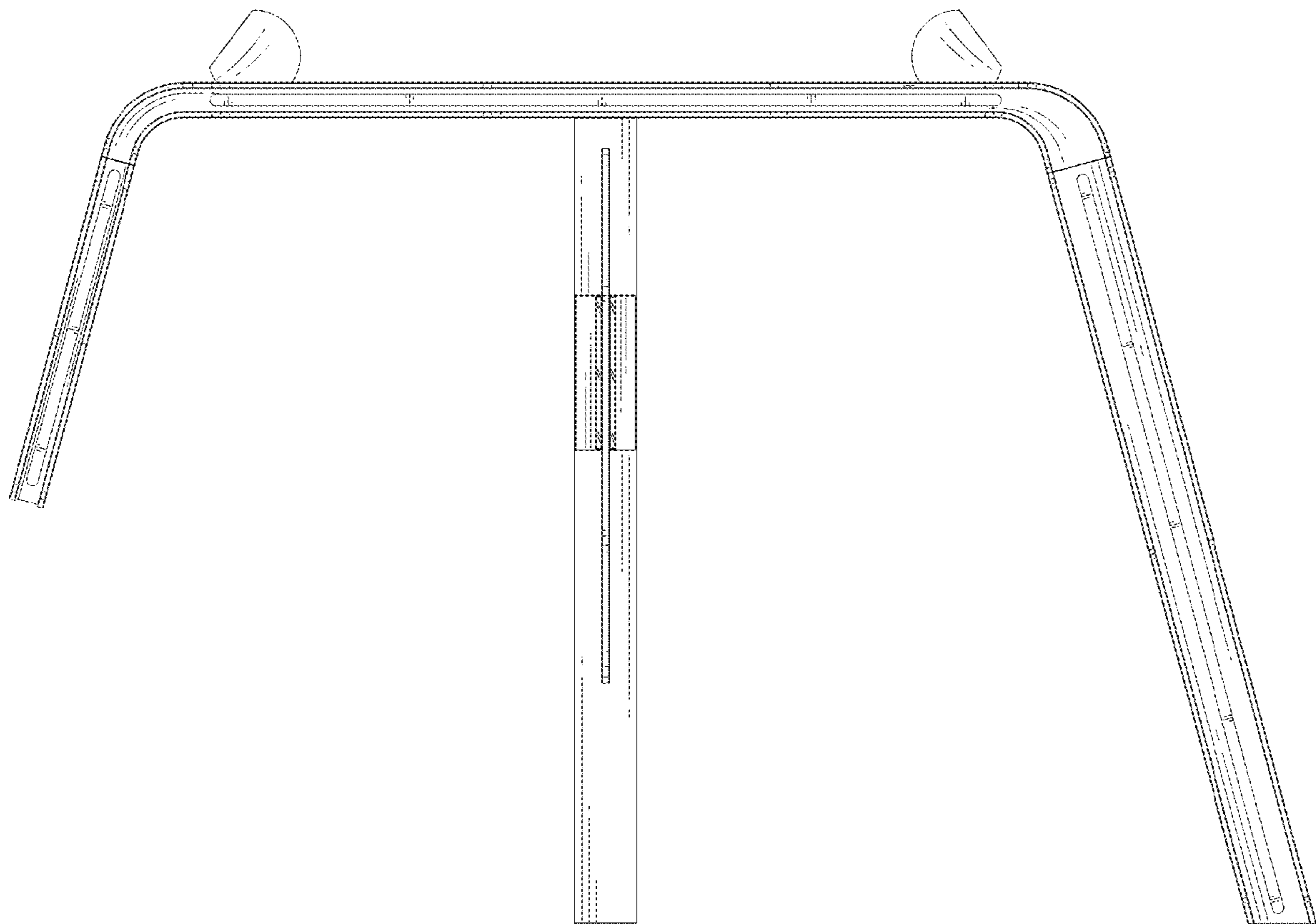


FIG. 4

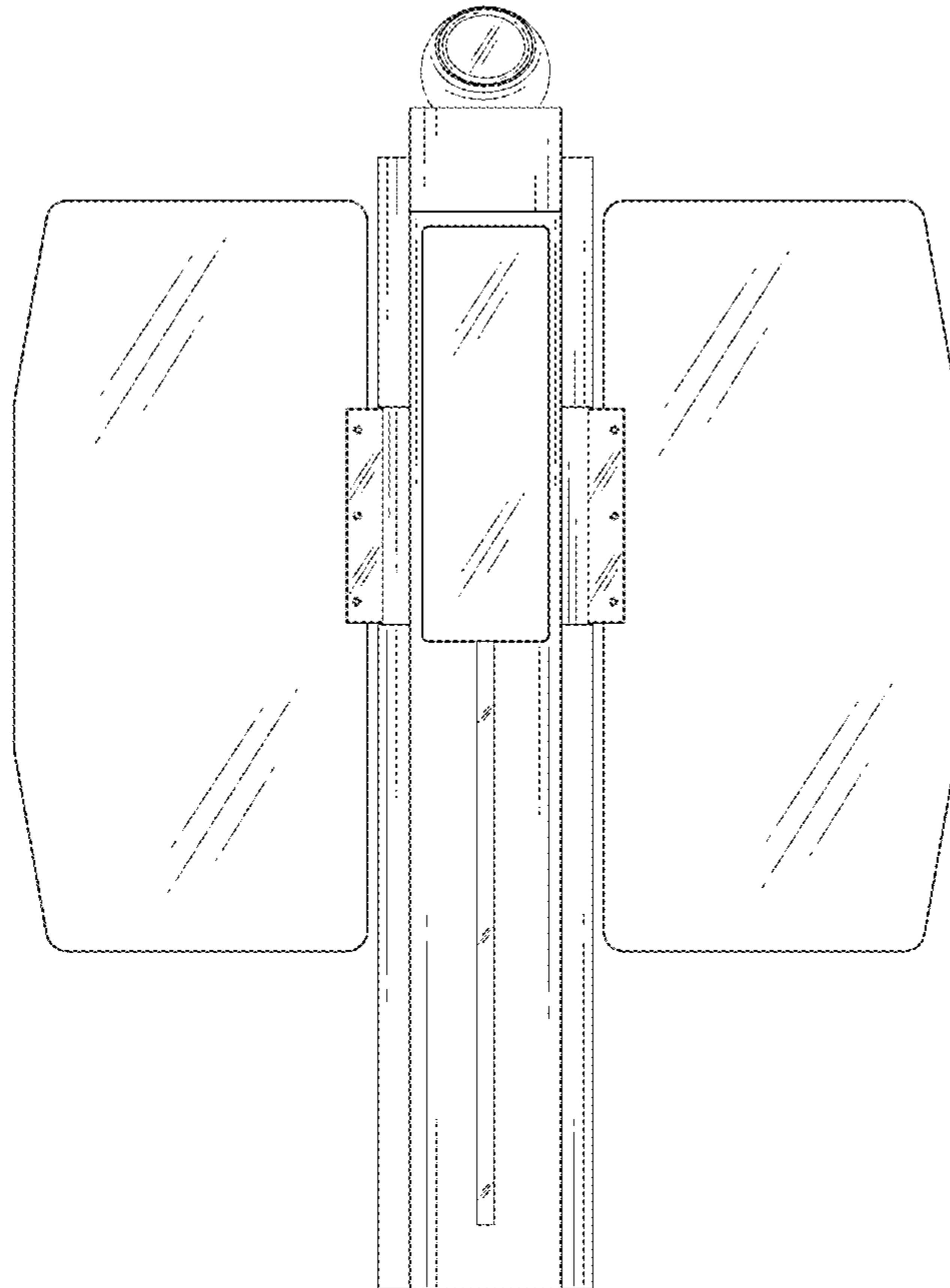


FIG. 5

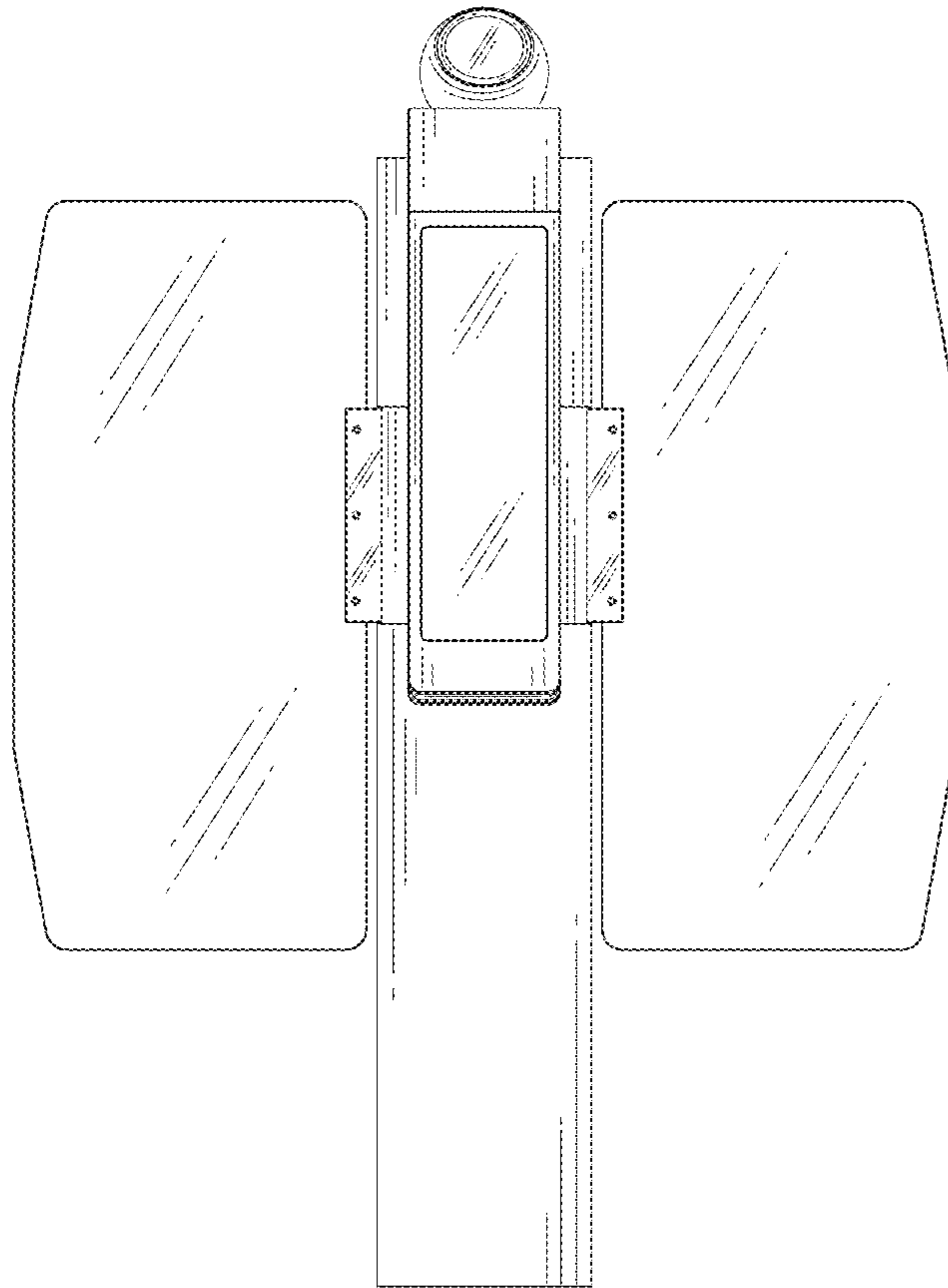


FIG. 6

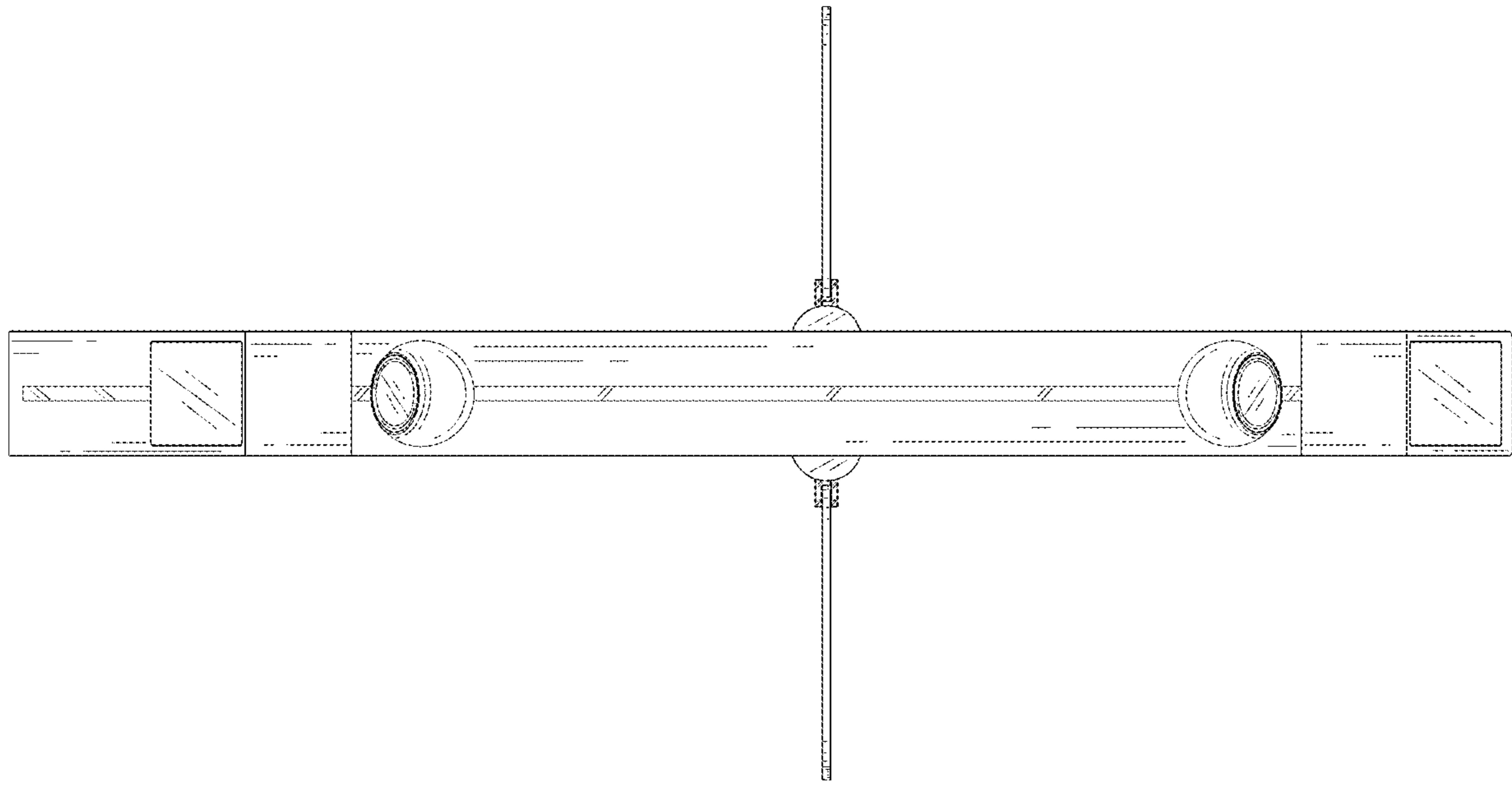


FIG. 7



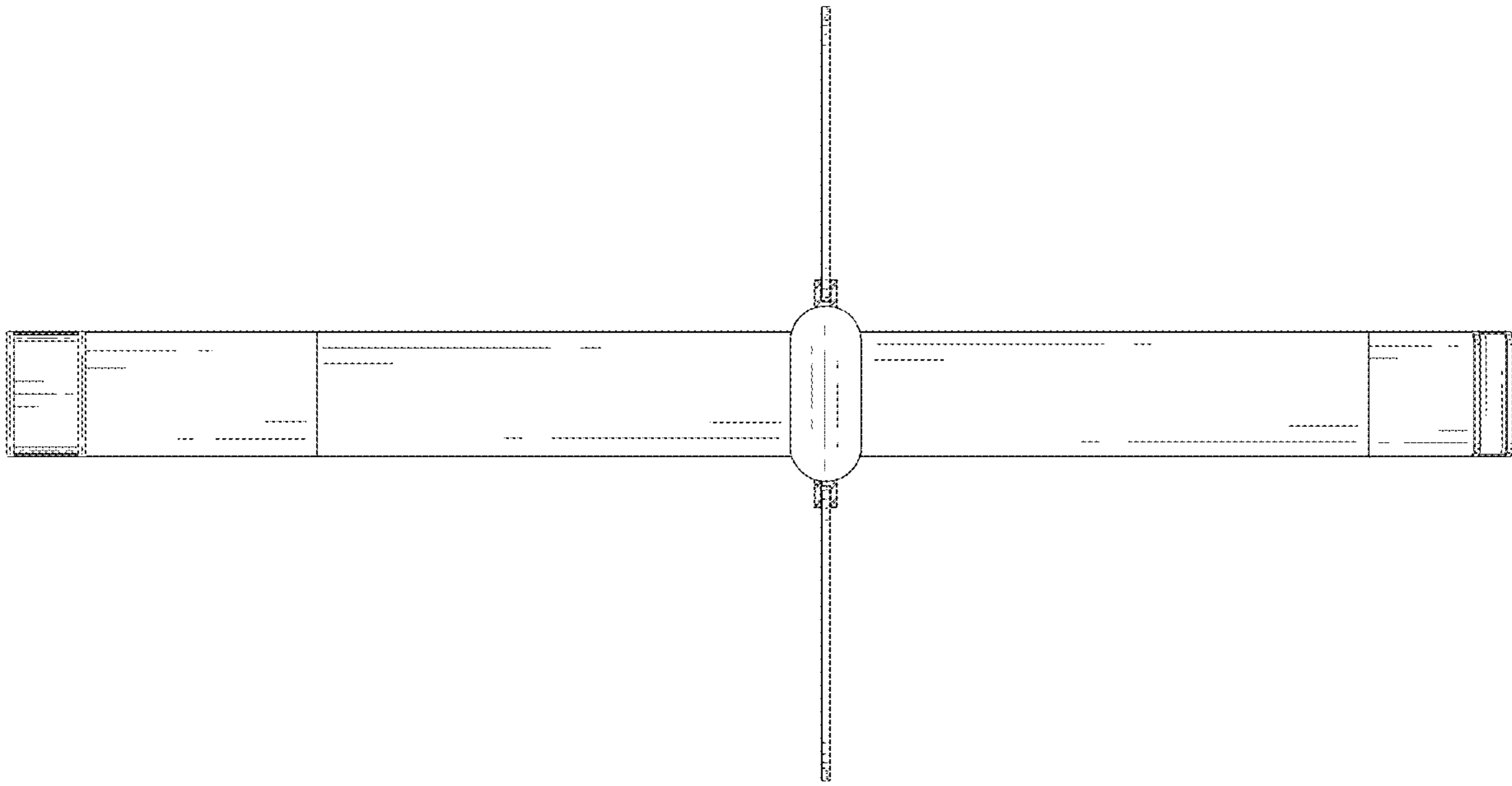


FIG. 8