



US00D954298S

(12) **United States Design Patent** (10) **Patent No.:** **US D954,298 S**
Carr et al. (45) **Date of Patent:** **** Jun. 7, 2022**

(54) **PRIVACY BOOTH**
(71) Applicant: **ONETWOSIX DESIGN INC,**
Edmonton (CA)
(72) Inventors: **Matthew Carr,** Edmonton (CA); **Max**
Peschel, Dresden (DE); **Nicholas**
Kazakoff, Edmonton (CA); **Brendan**
Gallagher, Edmonton (CA)
(**) Term: **15 Years**

D844,166 S * 3/2019 Zhu D25/16
D844,812 S * 4/2019 Zhu D25/16
D844,819 S * 4/2019 Zhu D25/16
D857,233 S * 8/2019 Zhu D25/16
D921,925 S * 6/2021 Ko D25/16
D922,613 S * 6/2021 Pucci E04H 1/125
D25/16
D931,495 S * 9/2021 Wong D25/16
D933,851 S * 10/2021 Zhu D25/16
2019/0316346 A1 * 10/2019 Glass E04B 1/8218
2020/0018060 A1 * 1/2020 Watanabe E04H 1/1205
2020/0324515 A1 * 10/2020 Hällfors B32B 21/047

(21) Appl. No.: **35/511,267**

(22) Filed: **Jul. 28, 2020**

(80) **Hague Agreement Data**

Int. Filing Date: **Jul. 28, 2020**
Int. Reg. No.: **DM/209688**
Int. Reg. Date: **Jul. 28, 2020**
Int. Reg. Pub. Date: **Jan. 29, 2021**

(51) **LOC (13) Cl.** **25-03**

(52) **U.S. Cl.**
USPC **D25/16**

(58) **Field of Classification Search**
USPC D25/1, 16, 17, 18, 22, 24, 25, 29, 30, 33
CPC E04B 1/34321; E04B 1/34326; E04B
1/34331; E04B 1/34336; E04H 1/12;
E04H 1/1205; E04H 1/1227; E04H
1/1255; E04H 1/1277; E04H 1/1294;
B65G 1/06; B65G 63/002; B65G 63/004
See application file for complete search history.

(56) **References Cited**

U.S. PATENT DOCUMENTS

D732,691 S * 6/2015 Hallfors D25/16
D788,318 S * 5/2017 Jennings D25/16

FOREIGN PATENT DOCUMENTS

CA 197786 * 12/2021

* cited by examiner

Primary Examiner — Richard Kearney
(74) *Attorney, Agent, or Firm* — Bennett Jones LLP

(57) **CLAIM**

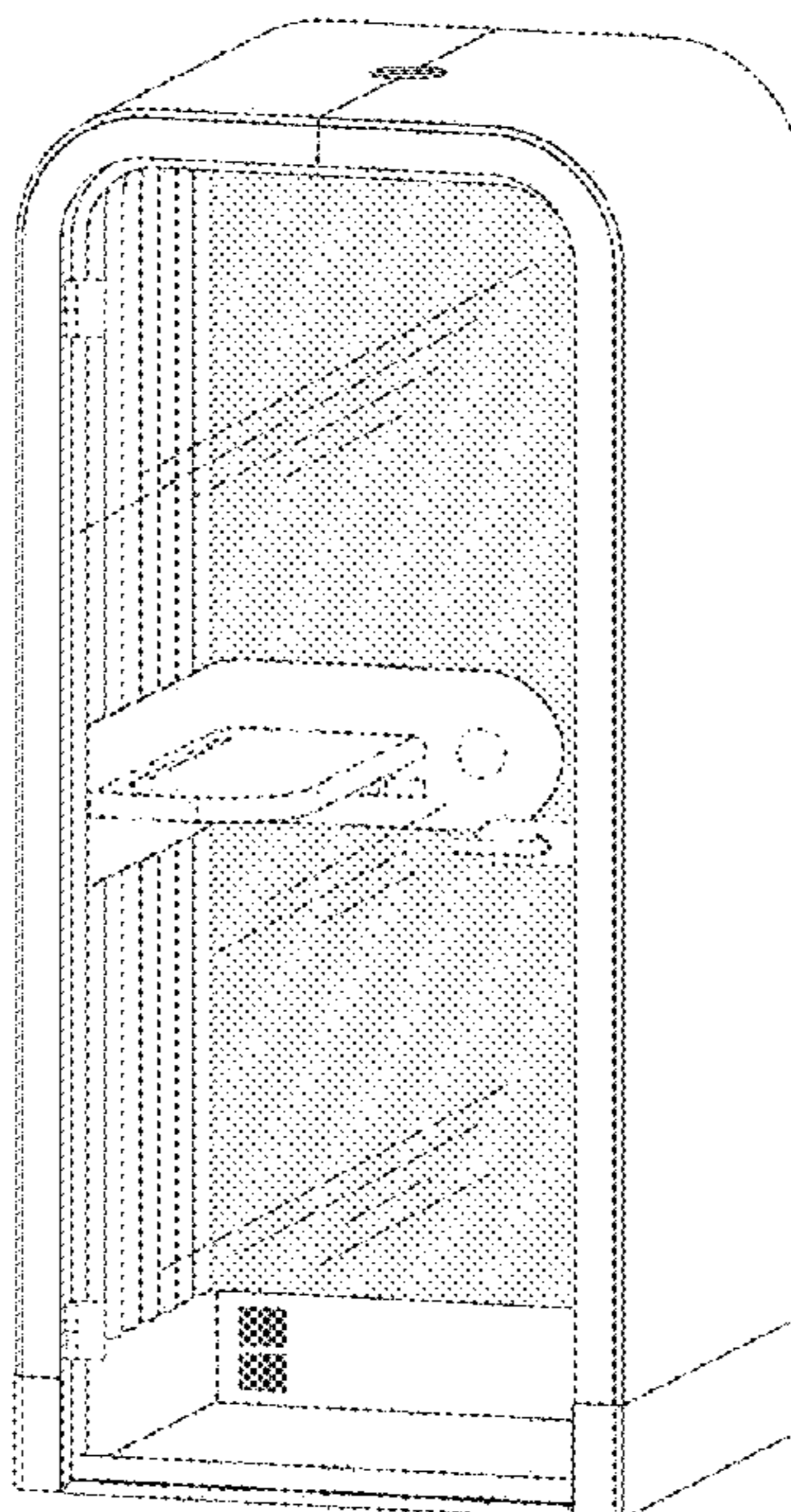
The ornamental design for a privacy booth, as shown and described.

DESCRIPTION

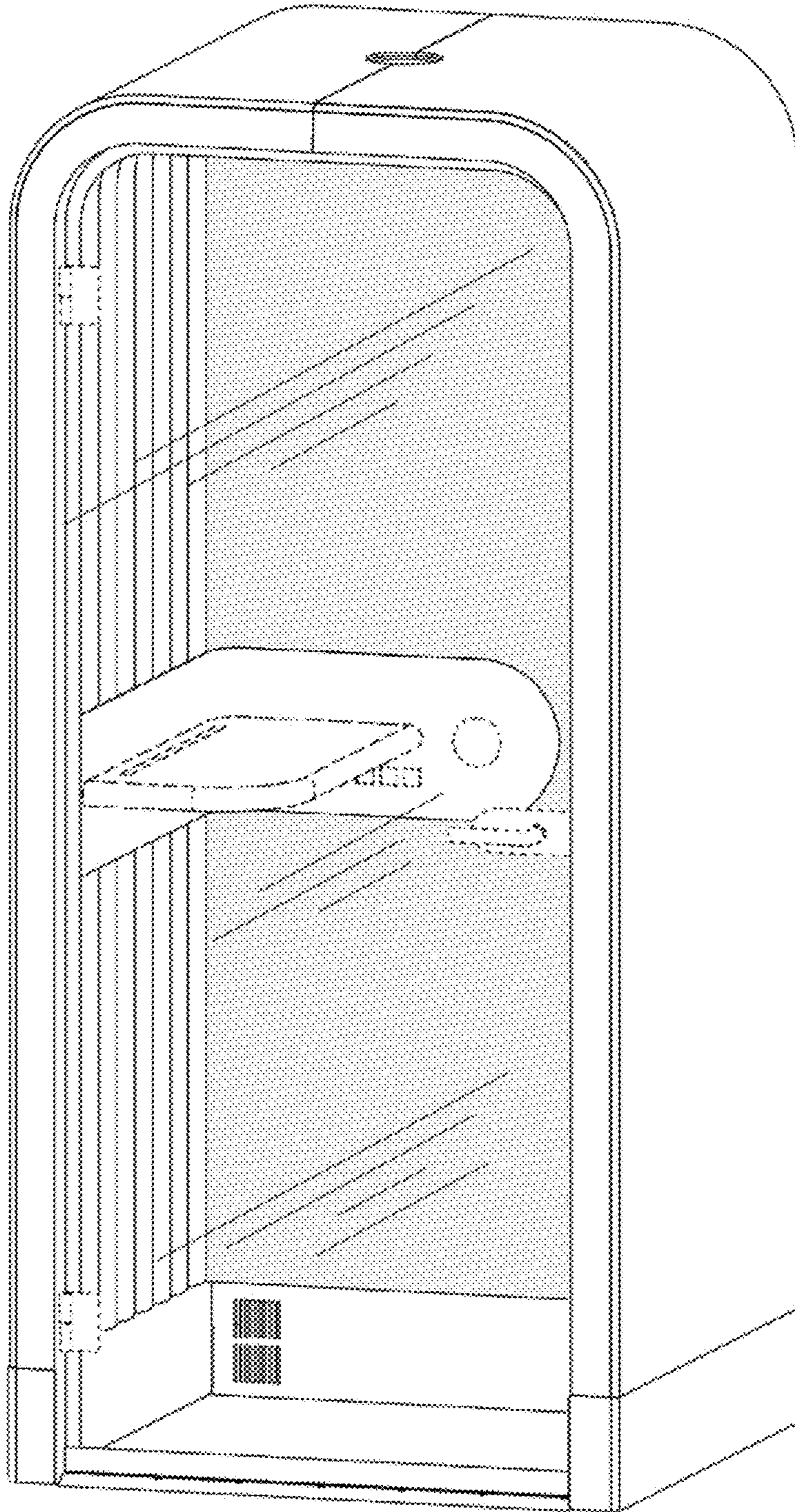
- 1. Privacy booth
- 1.1 : Perspective
- 1.2 : Front
- 1.3 : Back
- 1.4 : Top
- 1.5 : Bottom
- 1.6 : Left
- 1.7 : Right

The broken lines depict portions of the privacy booth that form no part of the protected design.

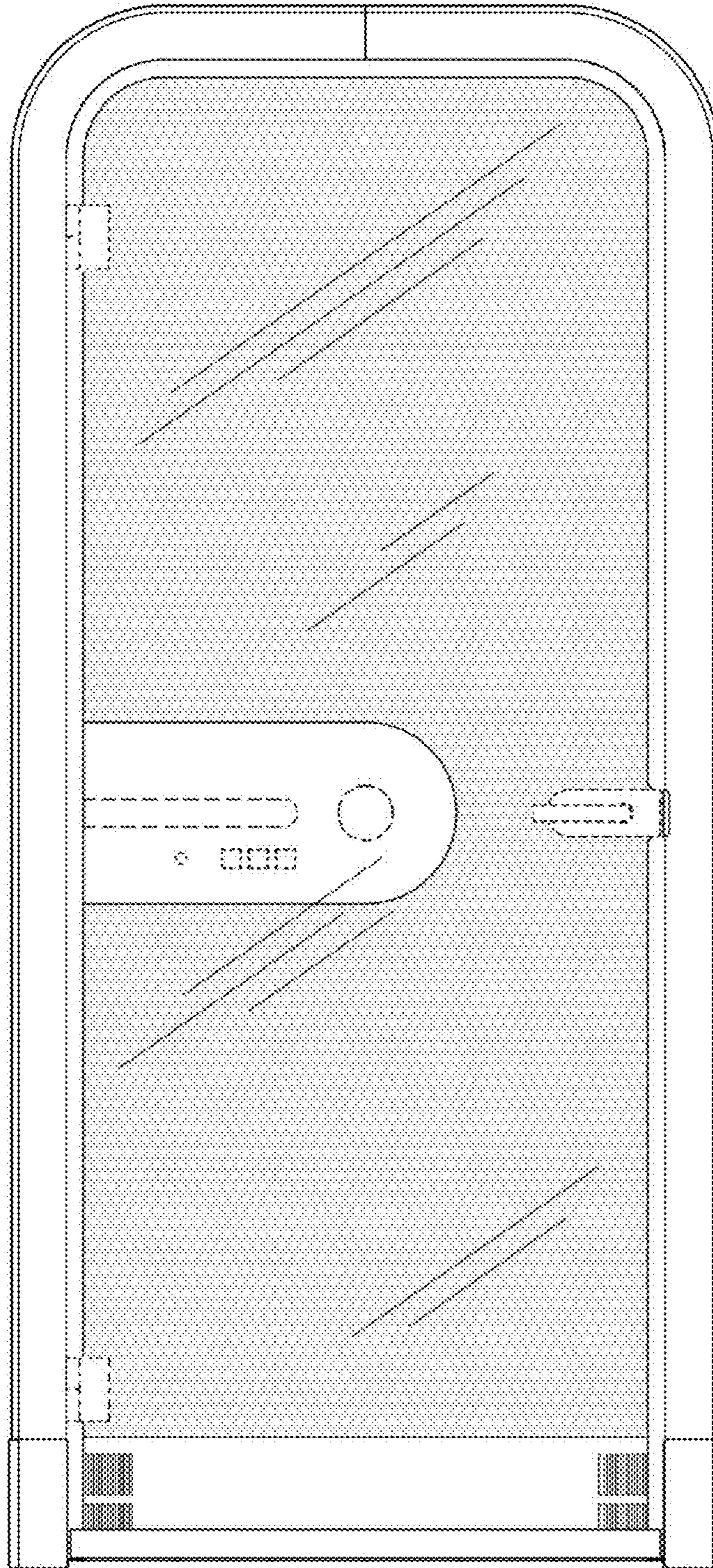
1 Claim, 7 Drawing Sheets



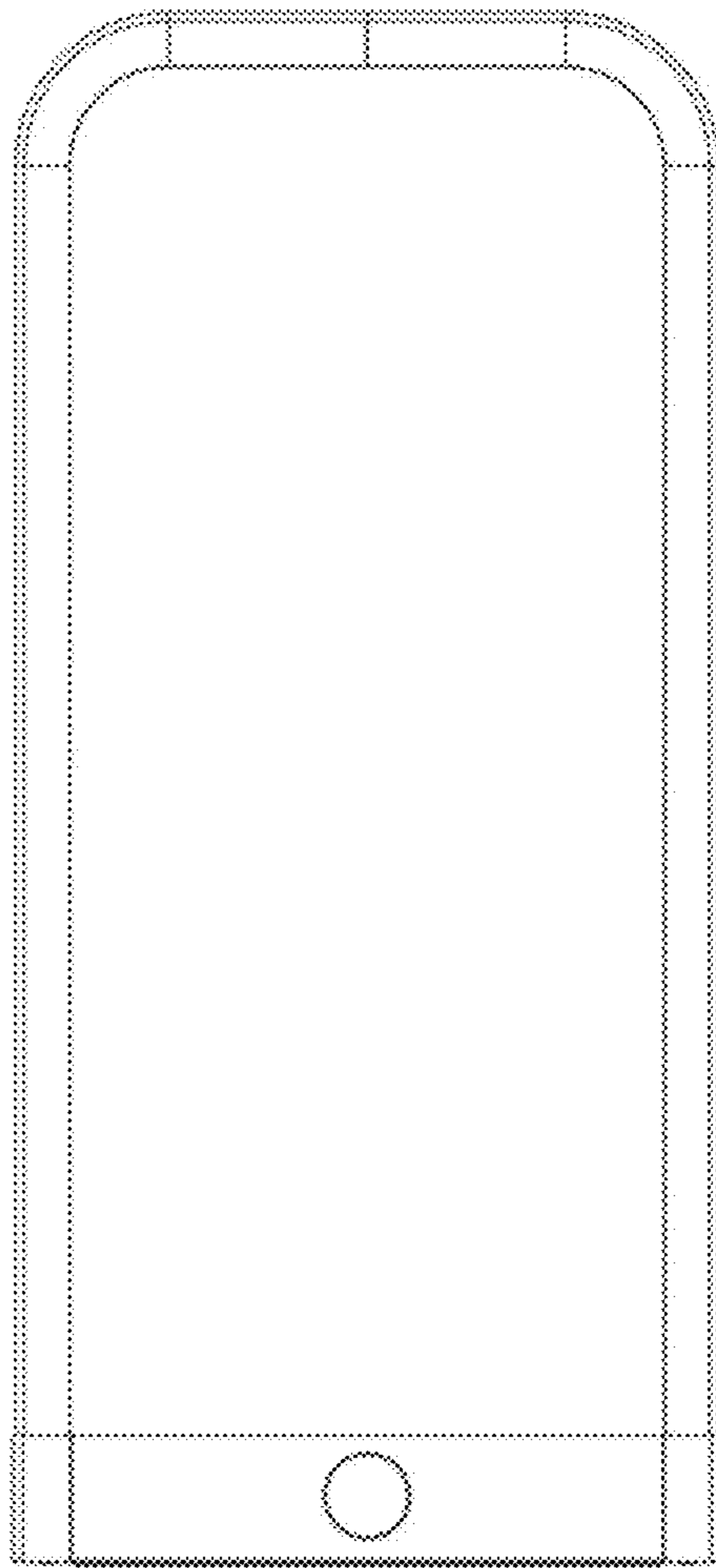
1.1



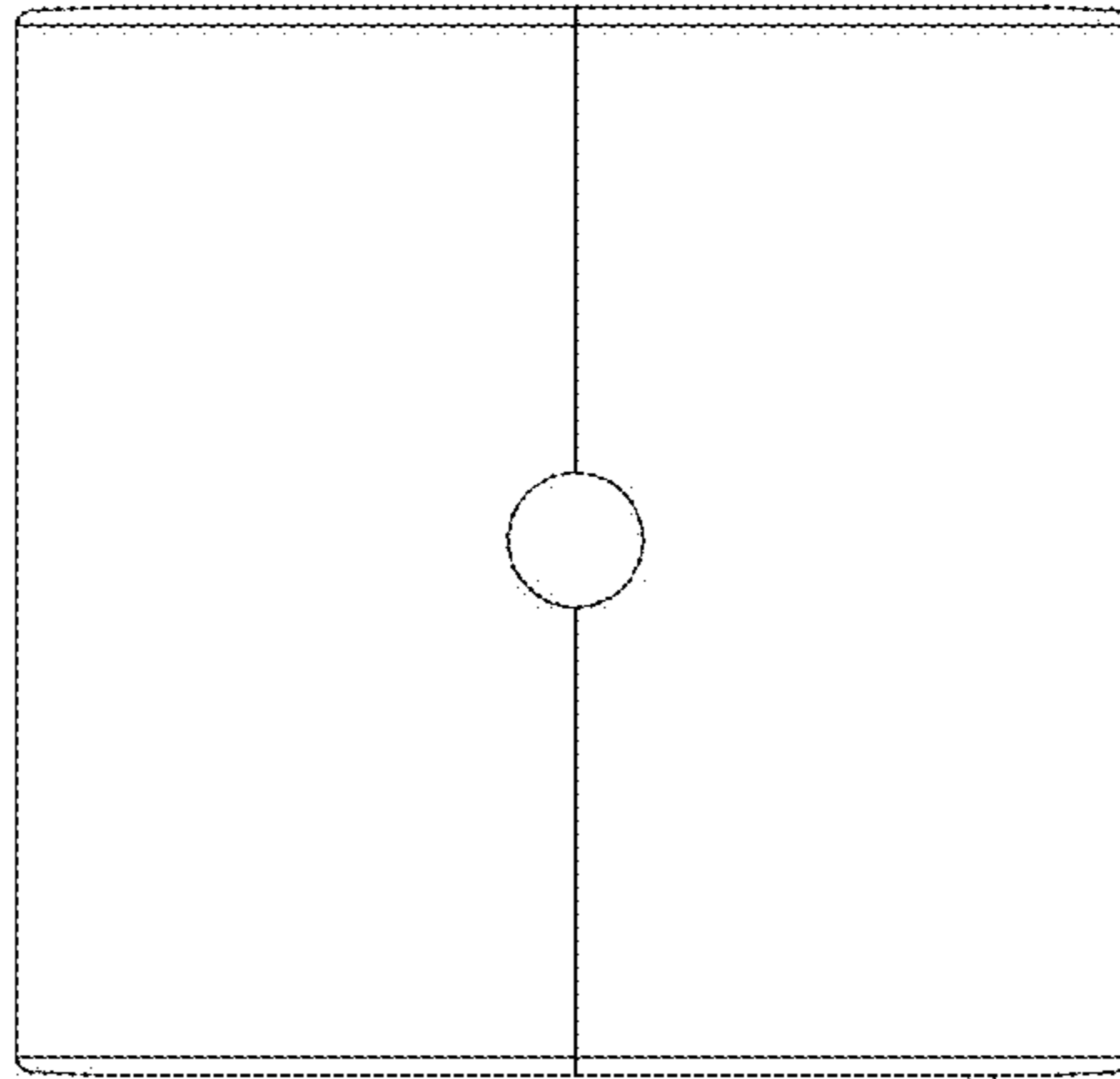
1.2



1.3

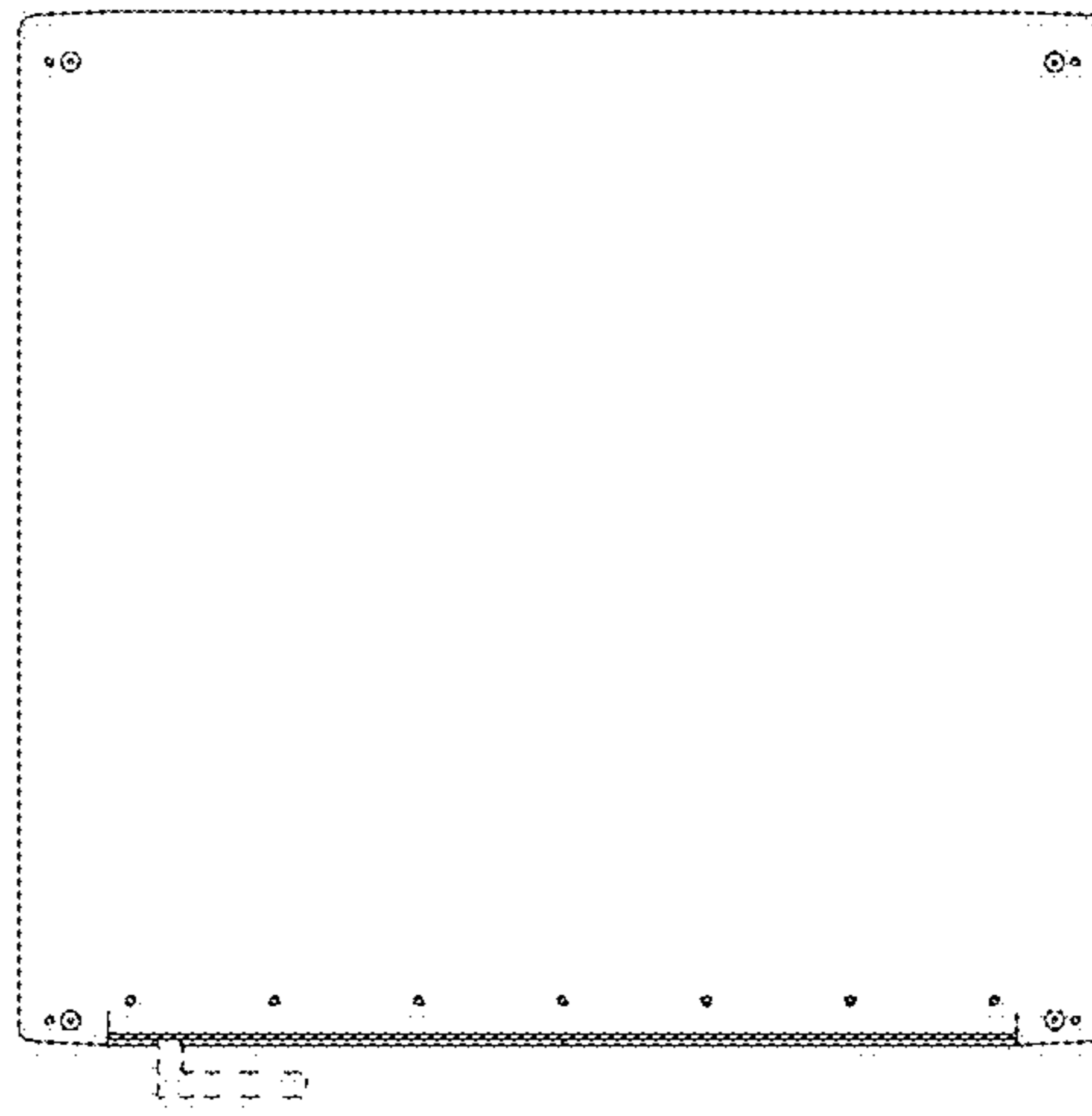


1.4

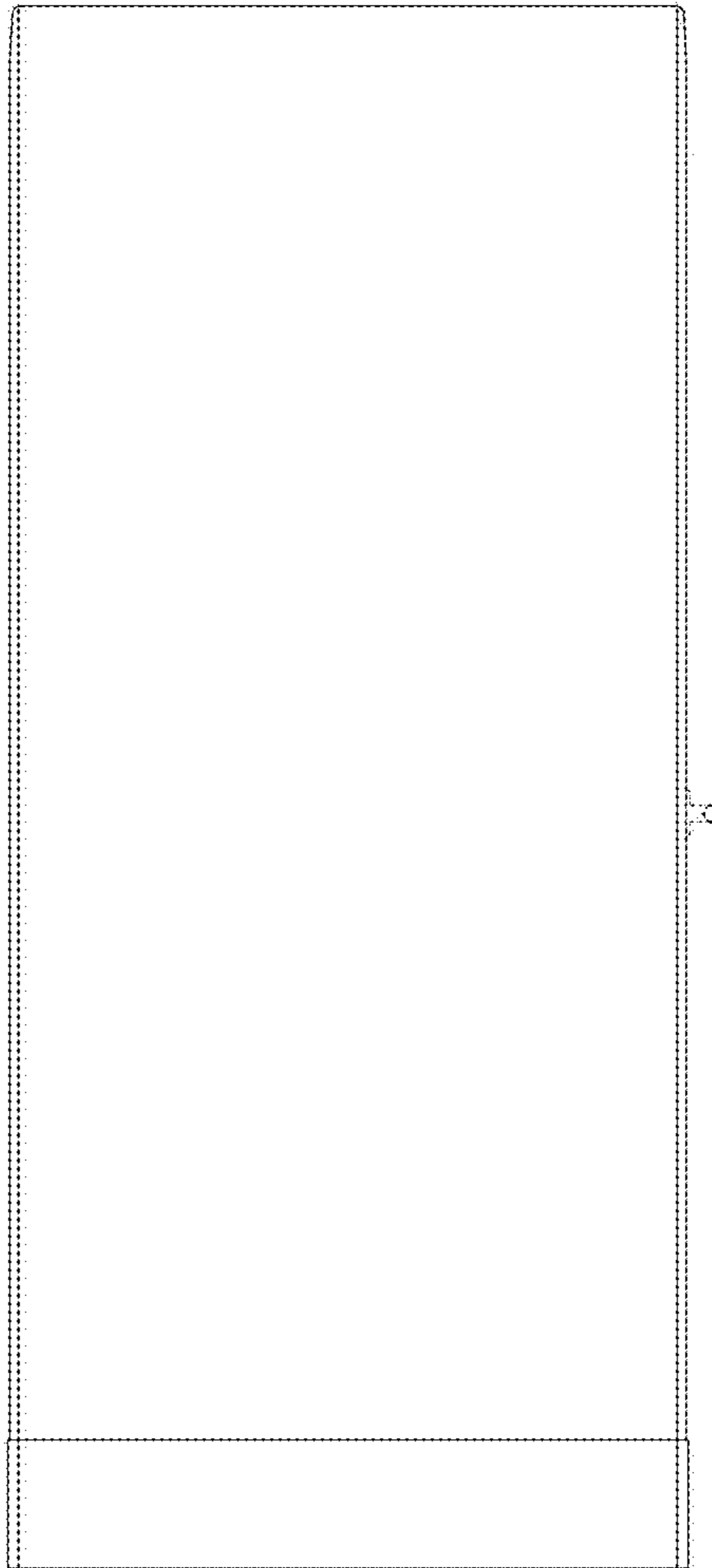


1000000

1.5



1.6



1.7

