



US00D954297S

(12) **United States Design Patent** (10) **Patent No.:** **US D954,297 S**  
**Tanaka** (45) **Date of Patent:** **\*\* Jun. 7, 2022**

(54) **TRAY FOR SPECIMEN RACKS**  
(71) Applicant: **FUJIFILM Corporation**, Tokyo (JP)  
(72) Inventor: **Kunihiko Tanaka**, Ashigarakami-gun (JP)  
(73) Assignee: **FUJIFILM Corporation**, Tokyo (JP)  
(\*\*) Term: **15 Years**

D462,447 S \* 9/2002 Doyle ..... D24/128  
D539,601 S \* 4/2007 Logan ..... D7/354  
D663,428 S \* 7/2012 Goransson ..... D24/185  
D676,573 S \* 2/2013 Austria ..... D24/227  
D695,409 S \* 12/2013 Drysdale ..... D24/185  
D704,511 S \* 5/2014 Beckman ..... D7/552.2  
D712,064 S \* 8/2014 Austria ..... D24/231  
D747,134 S \* 1/2016 Annunziata ..... D7/354  
D862,175 S \* 10/2019 Yu ..... D7/602  
D884,165 S \* 5/2020 deBock ..... D24/128  
D889,126 S \* 7/2020 Staiano ..... D3/304  
D922,576 S \* 6/2021 Schellin ..... D24/145

(21) Appl. No.: **29/767,903**

(22) Filed: **Jan. 26, 2021**

(30) **Foreign Application Priority Data**

Jul. 30, 2020 (JP) ..... 2020-015926 D

(51) **LOC (13) Cl.** ..... **24-02**

(52) **U.S. Cl.**  
USPC ..... **D24/227**

(58) **Field of Classification Search**  
USPC ..... D24/156, 127-128, 185, 216-232, 183,  
D24/184; D7/354, 361, 500, 550.1,  
D7/554.3, 587, 602; D3/304, 307, 308,  
D3/314, 315  
CPC ..... A61B 50/36; A61B 2050/3011; A47B  
23/046; A47B 23/025; A47B 23/02  
See application file for complete search history.

(56) **References Cited**

**U.S. PATENT DOCUMENTS**

D83,296 S \* 2/1931 Wilt ..... D3/304  
4,261,683 A \* 4/1981 Zaleon ..... A61J 7/02  
141/334  
D341,298 S \* 11/1993 Ancona ..... D7/553.3  
D378,313 S \* 3/1997 Doyle ..... D24/128  
5,826,843 A \* 10/1998 Sturm ..... A47F 7/0071  
248/176.1  
D401,331 S \* 11/1998 Doyle ..... D24/128  
D407,494 S \* 3/1999 Doyle ..... D24/191  
D421,548 S \* 3/2000 Cornelissen ..... D7/545

**OTHER PUBLICATIONS**

Lztttyee Plastic Simple Portable Folding TV Tray Table Adjustable Height Removable Sofa Bed Side/Snack/End/Console Laptop Desk. Online, published date unknown. Retrieved on Jan. 19, 2022 from URL: <https://www.sears.com/lztttyee-plastic-simple-portable-folding-tv-tray-table/p-A030606114>.\*

\* cited by examiner

*Primary Examiner* — Omeed Agilee  
(74) *Attorney, Agent, or Firm* — Sughrue Mion, PLLC

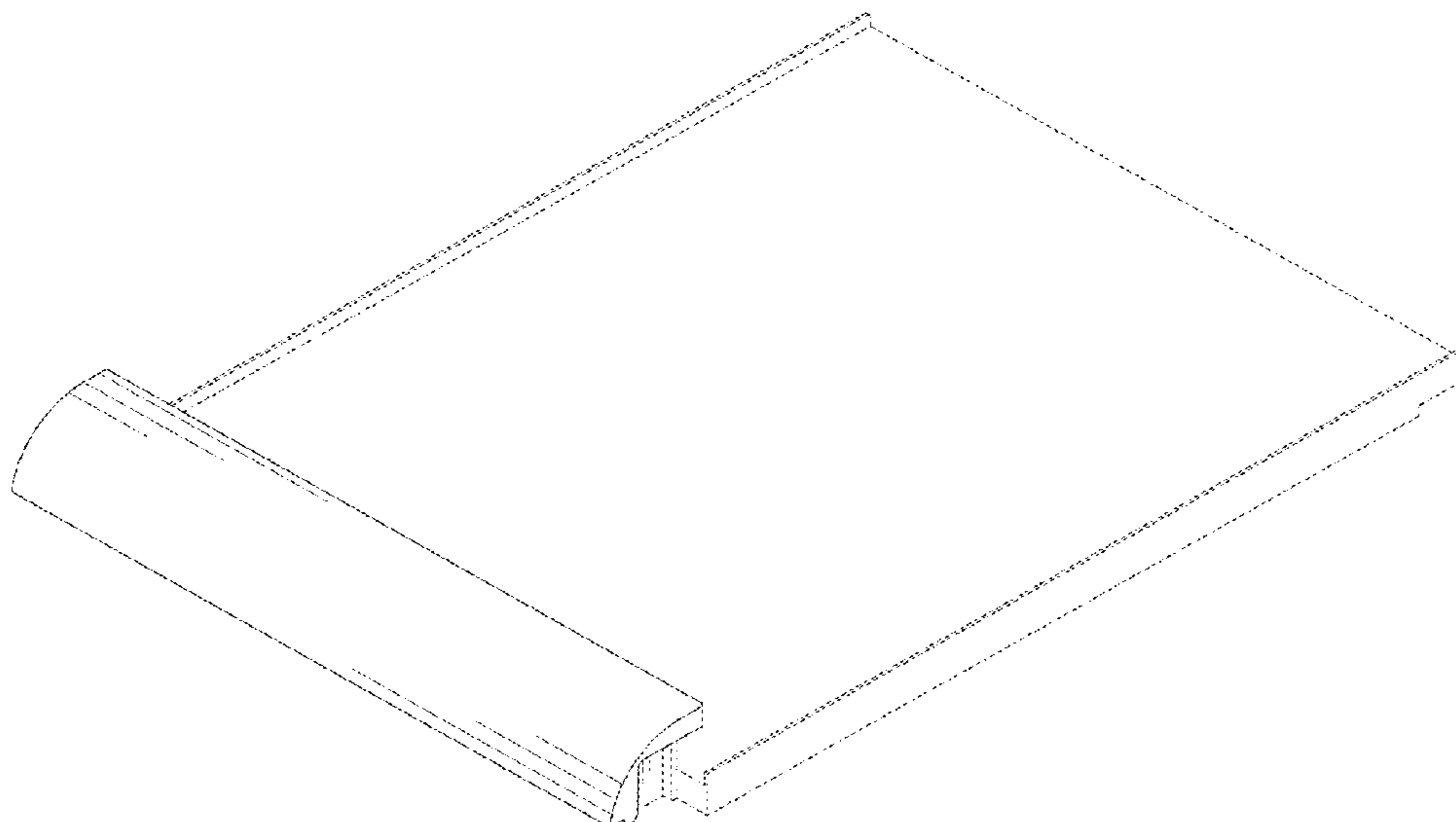
(57) **CLAIM**

The ornamental design for a tray for specimen racks, as shown and described.

**DESCRIPTION**

FIG. 1 is a perspective view of a tray for specimen racks, showing the new design;  
FIG. 2 is a front view thereof;  
FIG. 3 is a rear view thereof;  
FIG. 4 is a top view thereof;  
FIG. 5 is a bottom view thereof;  
FIG. 6 is a left side view thereof; and,  
FIG. 7 is a right side view thereof.  
The broken lines in the drawings depict portions of the tray for specimen racks that form no part of the claimed design.

**1 Claim, 7 Drawing Sheets**



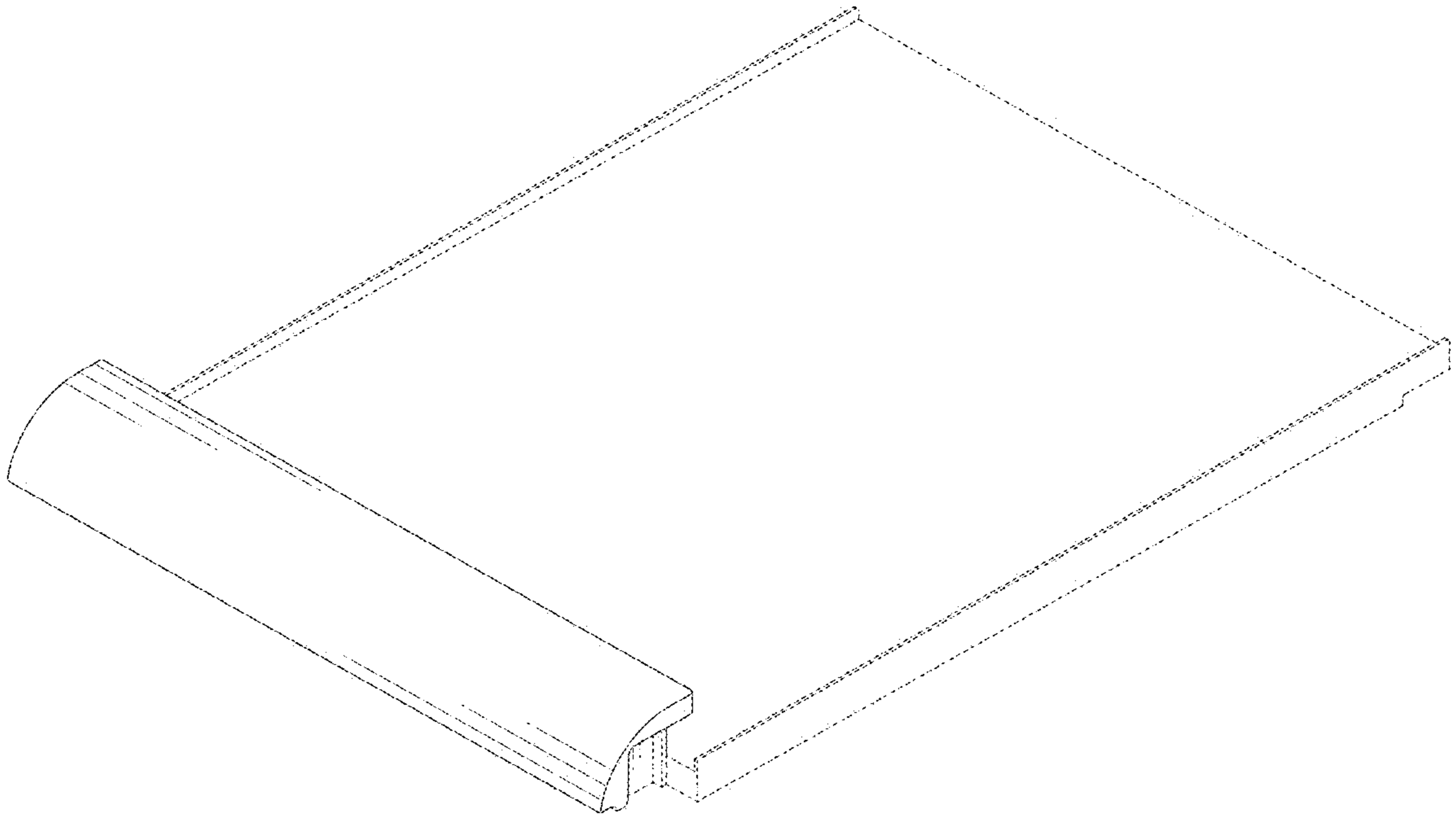


FIG. 1

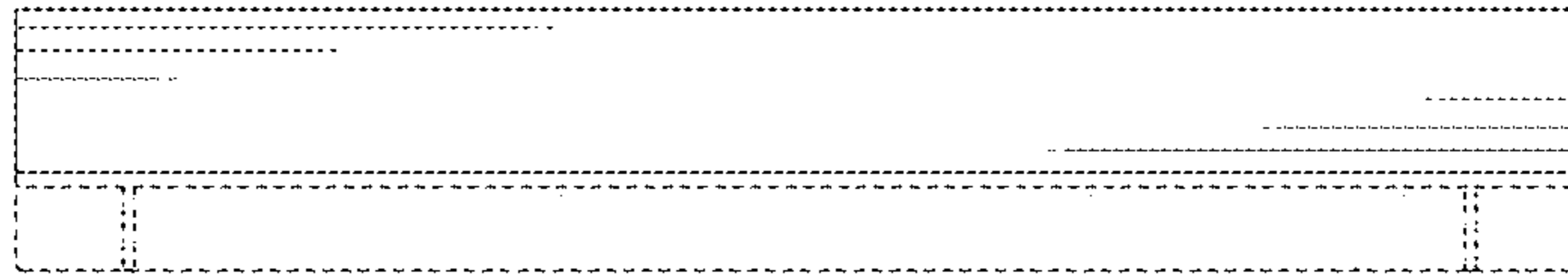


FIG. 2

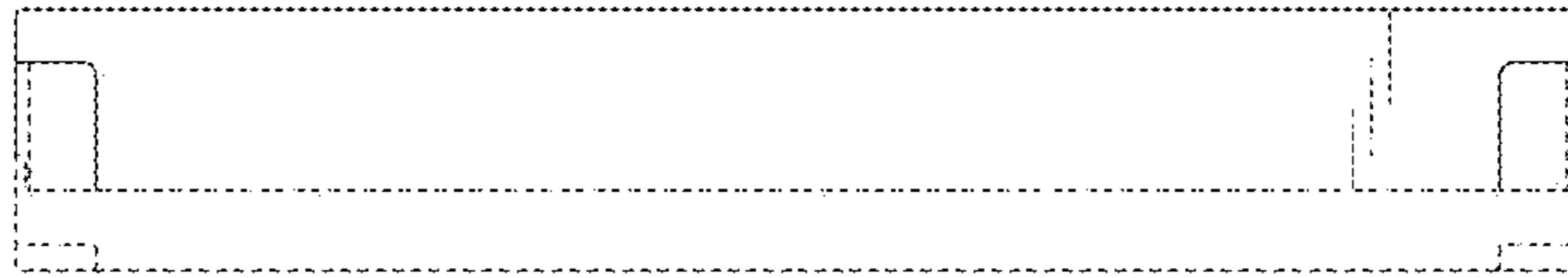


FIG. 3

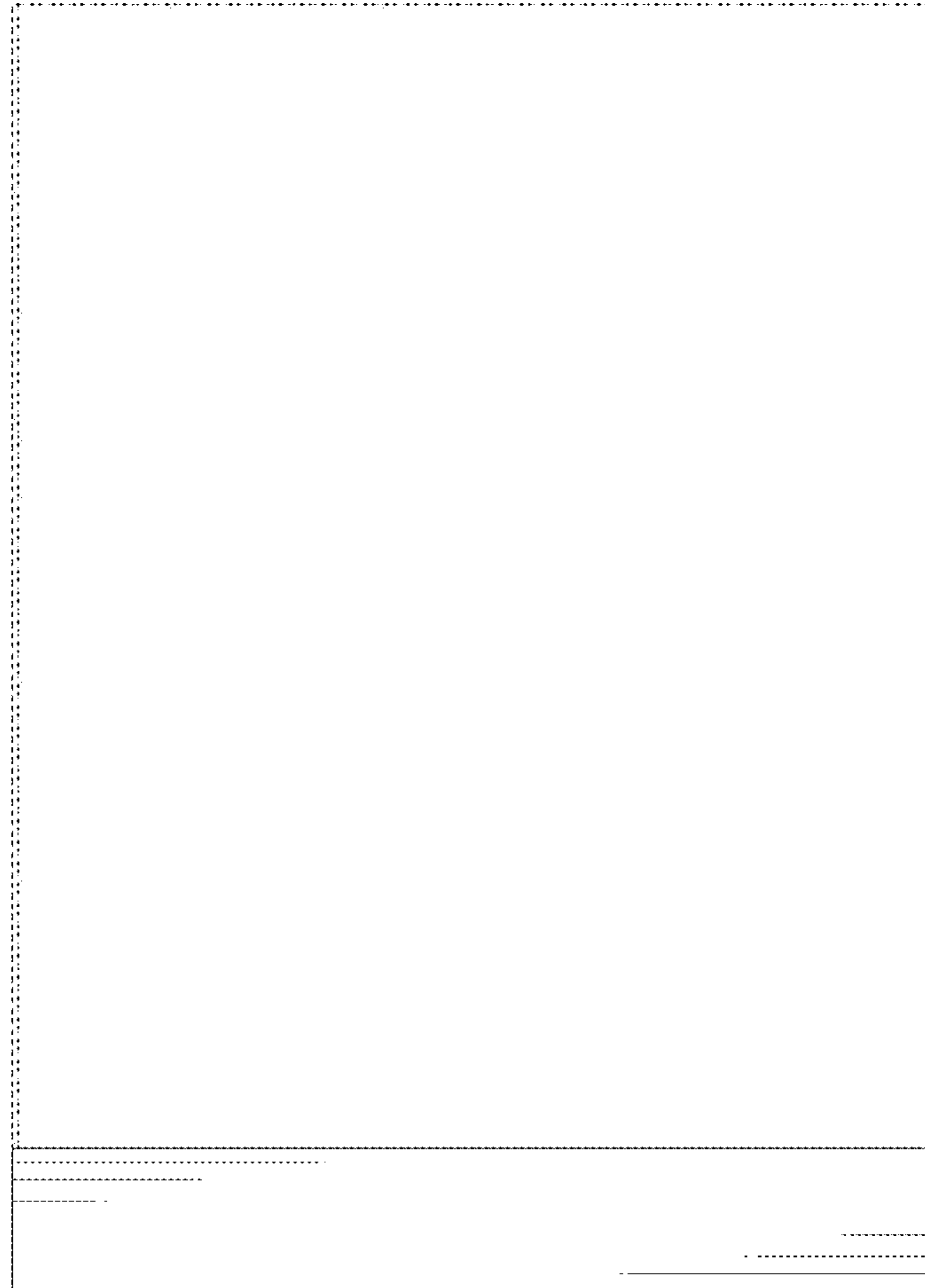


FIG. 4



FIG. 5

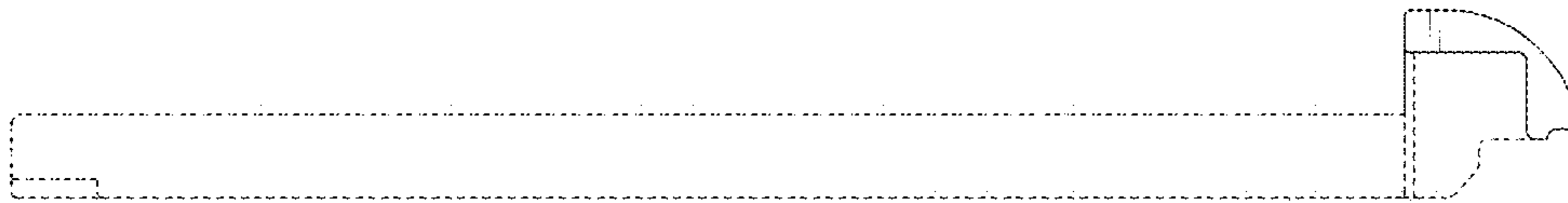


FIG. 6

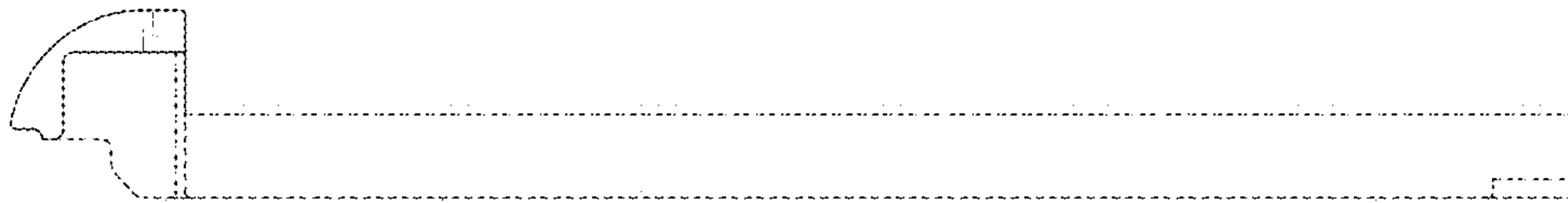


FIG. 7