



US00D954296S

(12) **United States Design Patent**  
**Hendrikx**

(10) **Patent No.:** **US D954,296 S**  
(45) **Date of Patent:** **\*\* Jun. 7, 2022**

(54) **LABORATORY UTENSIL**

(71) Applicant: **Michael Thomas Hendrikx**, Landgraaf  
(NL)

(72) Inventor: **Michael Thomas Hendrikx**, Landgraaf  
(NL)

(\*\*) Term: **15 Years**

(21) Appl. No.: **35/510,679**

(22) Filed: **Oct. 21, 2020**

(80) **Hague Agreement Data**

Int. Filing Date: **Oct. 21, 2020**

Int. Reg. No.: **DM/210956**

Int. Reg. Date: **Oct. 21, 2020**

Int. Reg. Pub. Date: **Nov. 6, 2020**

(51) **LOC (13) Cl.** ..... **24-02**

(52) **U.S. Cl.**  
USPC ..... **D24/226**

(58) **Field of Classification Search**  
USPC ..... D24/216, 223, 224, 226; D9/756  
CPC ..... B01L 3/545; B01L 3/50851  
See application file for complete search history.

(56) **References Cited**

**U.S. PATENT DOCUMENTS**

D226,846	S	*	5/1973	Rosenburg	.....	D24/226
D271,619	S	*	11/1983	Herrmann	.....	D24/226
D303,011	S	*	8/1989	Henry	.....	D24/226
D309,779	S	*	8/1990	D'Aquino	.....	D24/226
4,956,150	A	*	9/1990	Henry	.....	B01L 3/5085 356/244
5,722,553	A	*	3/1998	Hovatter	.....	B01L 3/5085 220/23.8
5,753,186	A	*	5/1998	Hanley	.....	B01L 3/50825 422/570
6,007,778	A	*	12/1999	Cholewa	.....	B01L 3/5082 422/534
D439,673	S	*	3/2001	Brophy	.....	D24/226

D445,907	S	*	7/2001	Monks	.....	D24/216
6,601,725	B2	*	8/2003	Lafond	.....	B01L 3/50853 220/23.4
D608,013	S	*	1/2010	Coulling	.....	D24/224
D659,848	S	*	5/2012	TerMaat	.....	D24/224
D679,830	S	*	4/2013	May	.....	D24/224

(Continued)

**OTHER PUBLICATIONS**

Amazon.co.uk, Labcon 3936-500-000 0.2mL PCR Tubes with attached flat caps, Jun. 9, 2017, online product page, retrieved Mar. 22, 2022 from <URL:https://www.amazon.co.uk/Labcon-3936-500-000-0-2mL-Attached-Natural/dp/B072K59PK1> (Year: 2017).\*

(Continued)

*Primary Examiner* — Calvin E Vansant

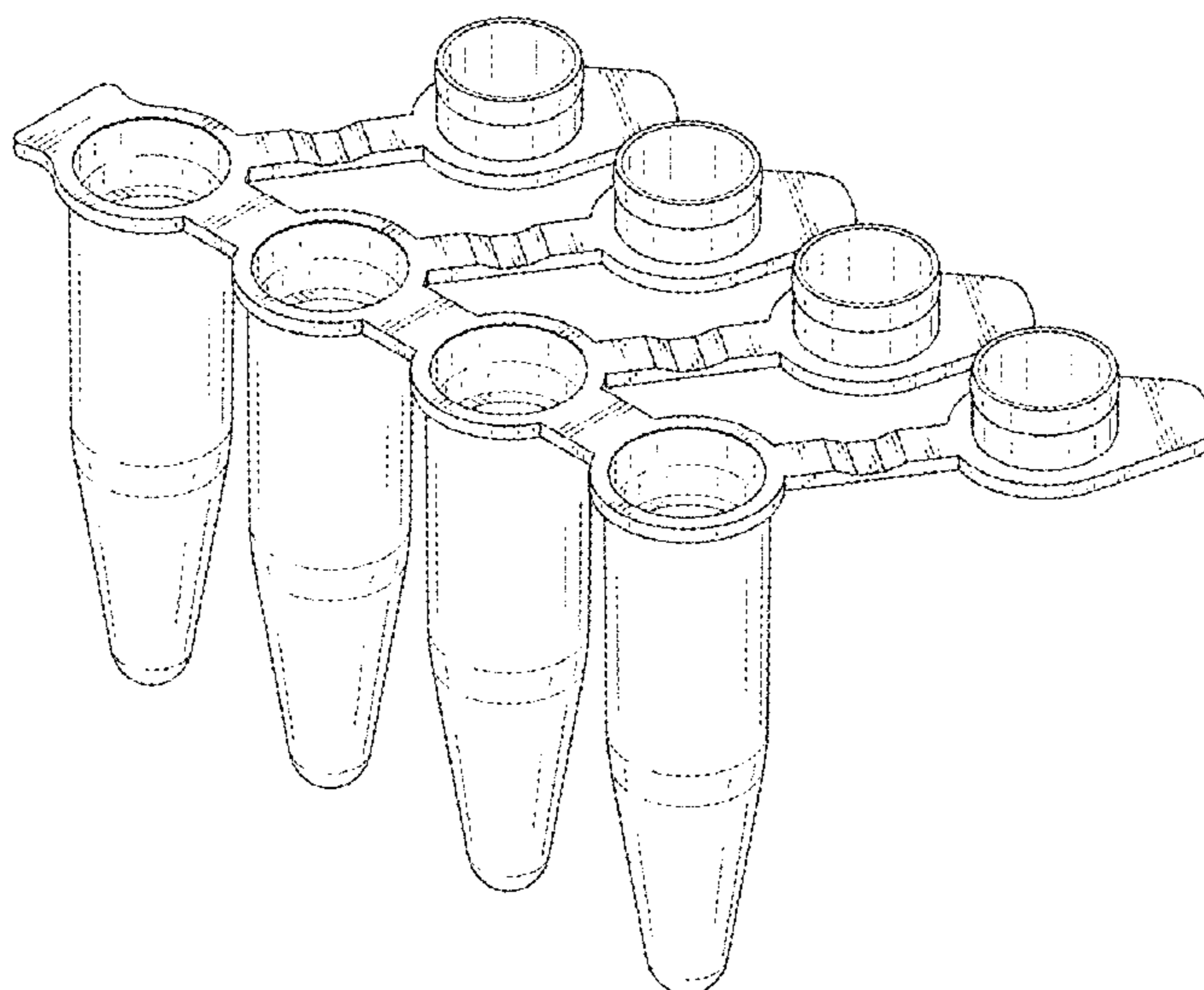
(57) **CLAIM**

The ornamental design for a laboratory utensil, as shown and described.

**DESCRIPTION**

- 1.-2. Laboratory utensil
- 1.1 :Perspective
- 1.2 :Front
- 1.3 :Back
- 1.4 :Right
- 1.5 :Left
- 1.6 :Top
- 1.7 :Bottom
- 1.8 :Perspective
- 2.1 :Perspective
- 2.2 :Front
- 2.3 :Back
- 2.4 :Right
- 2.5 :Left
- 2.6 :Top
- 2.7 :Bottom
- 2.8 :Perspective

**1 Claim, 16 Drawing Sheets**



(56)

**References Cited**

## U.S. PATENT DOCUMENTS

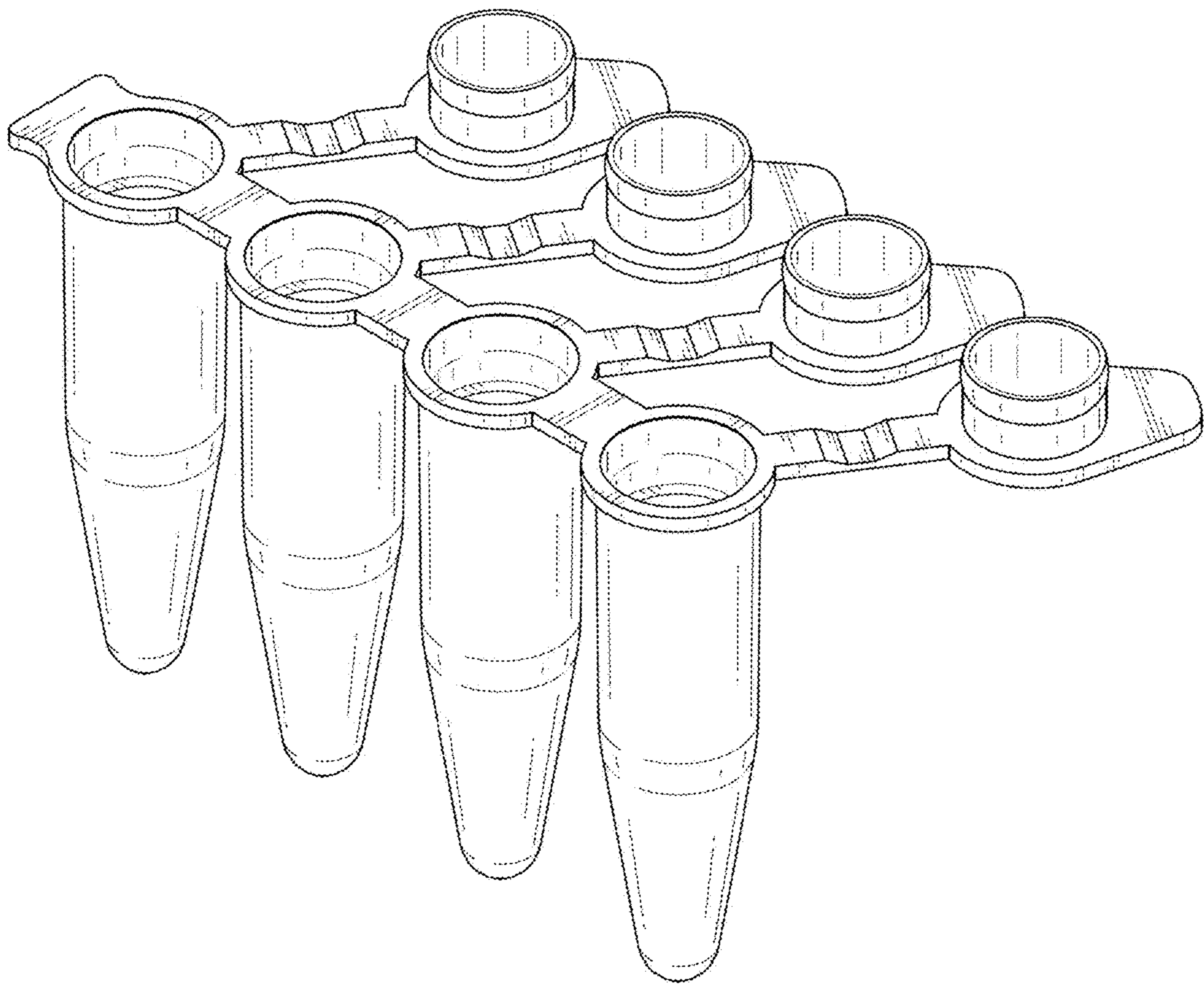
D703,345 S \* 4/2014 Tajima ..... B01L 3/50825  
D24/224  
D709,625 S \* 7/2014 Baum ..... D24/224  
D718,465 S \* 11/2014 Tajima ..... D24/224  
D723,181 S \* 2/2015 Kawamura ..... D24/224  
D759,835 S \* 6/2016 Baum ..... D24/224  
D804,050 S \* 11/2017 Coulling ..... D24/224  
D848,638 S \* 5/2019 Sims ..... B01L 3/5085  
D24/226  
D862,724 S \* 10/2019 Sims ..... D24/224  
D882,113 S \* 4/2020 Motadel ..... D24/224  
D902,431 S \* 11/2020 Sims ..... D24/224  
D907,797 S \* 1/2021 Zergiebel ..... D24/224  
2014/0271408 A1 \* 9/2014 Taunk ..... B01L 3/50825  
422/550  
2015/0031040 A1 \* 1/2015 Calanca ..... B01L 3/5021  
435/6.12  
2018/0333717 A1 \* 11/2018 Motadel ..... B65D 55/16  
2019/0151854 A1 \* 5/2019 Baum ..... B01L 9/06

## OTHER PUBLICATIONS

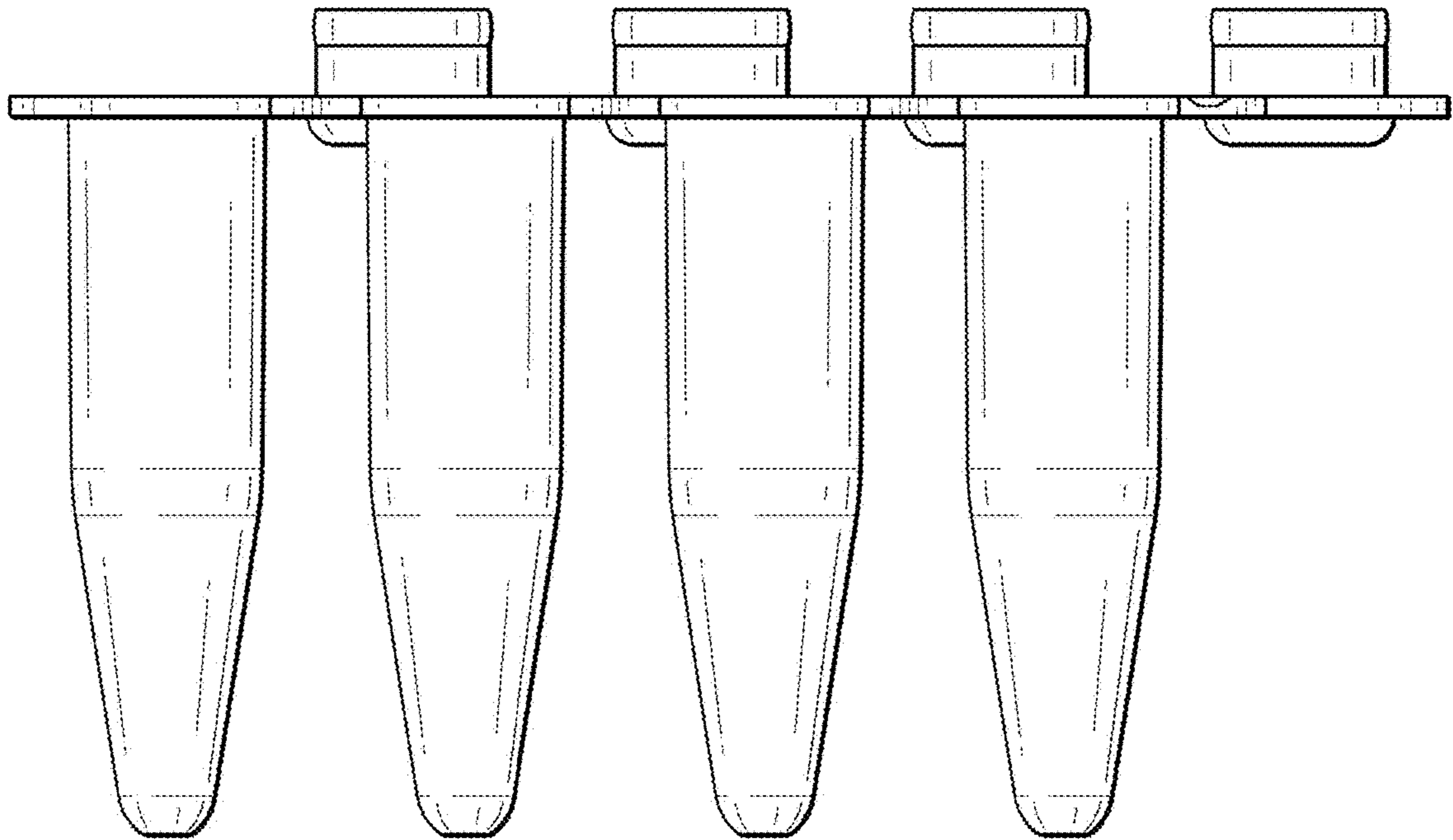
Amazon.co.uk, Labcon 1141N55PK, 3921-550-000-9 PurePlus Real Time 8-Well PCR Tube Strip, Dec. 22, 2020, online product page, retrieved Mar. 22, 2022 from <URL:https://www.amazon.co.uk/1141N55PK-3921-550-000-9-PurePlus-Optically-Attached/dp/B08R3KNG2M (Year: 2020).\*

\* cited by examiner

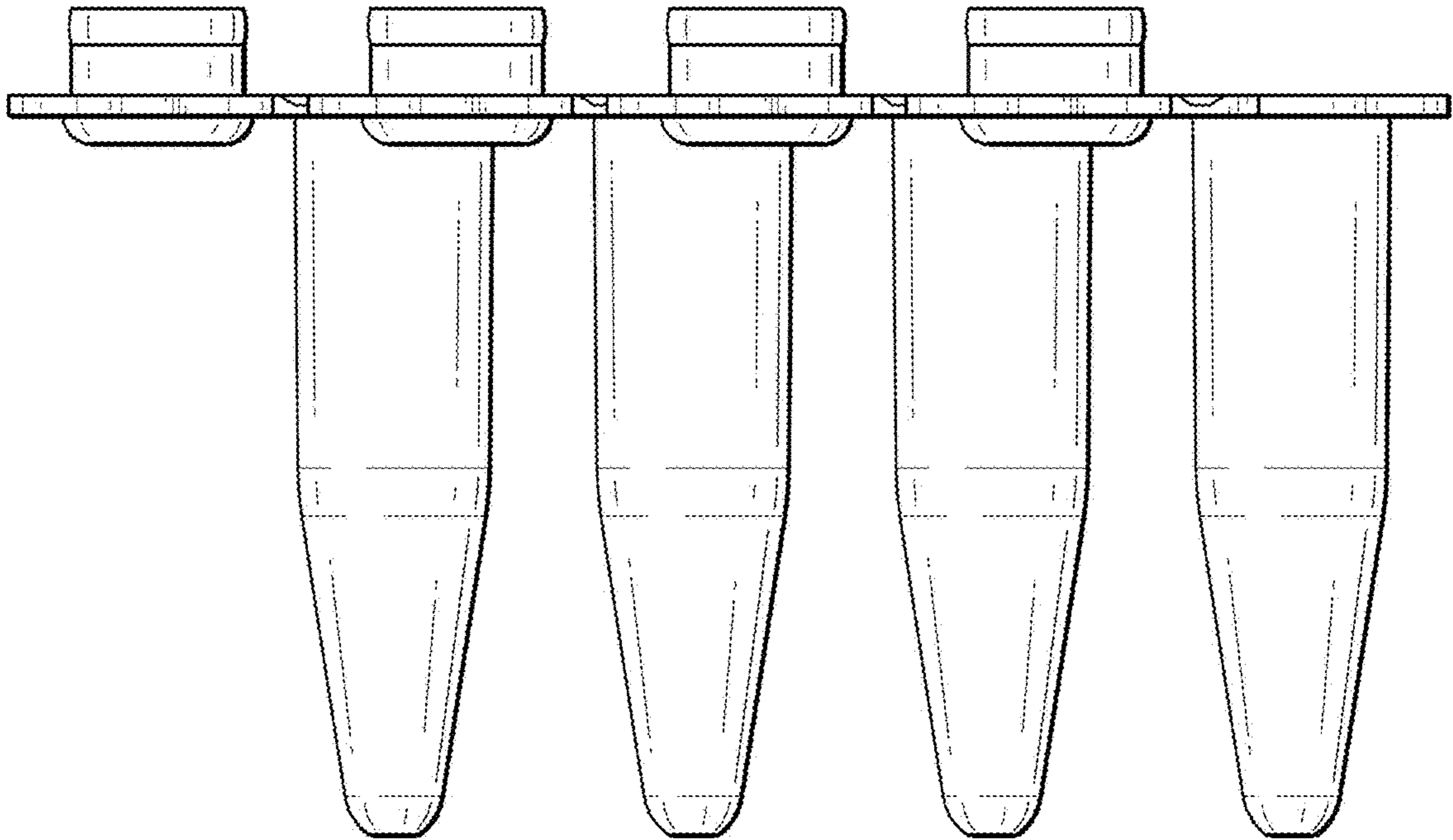
1.1



1.2

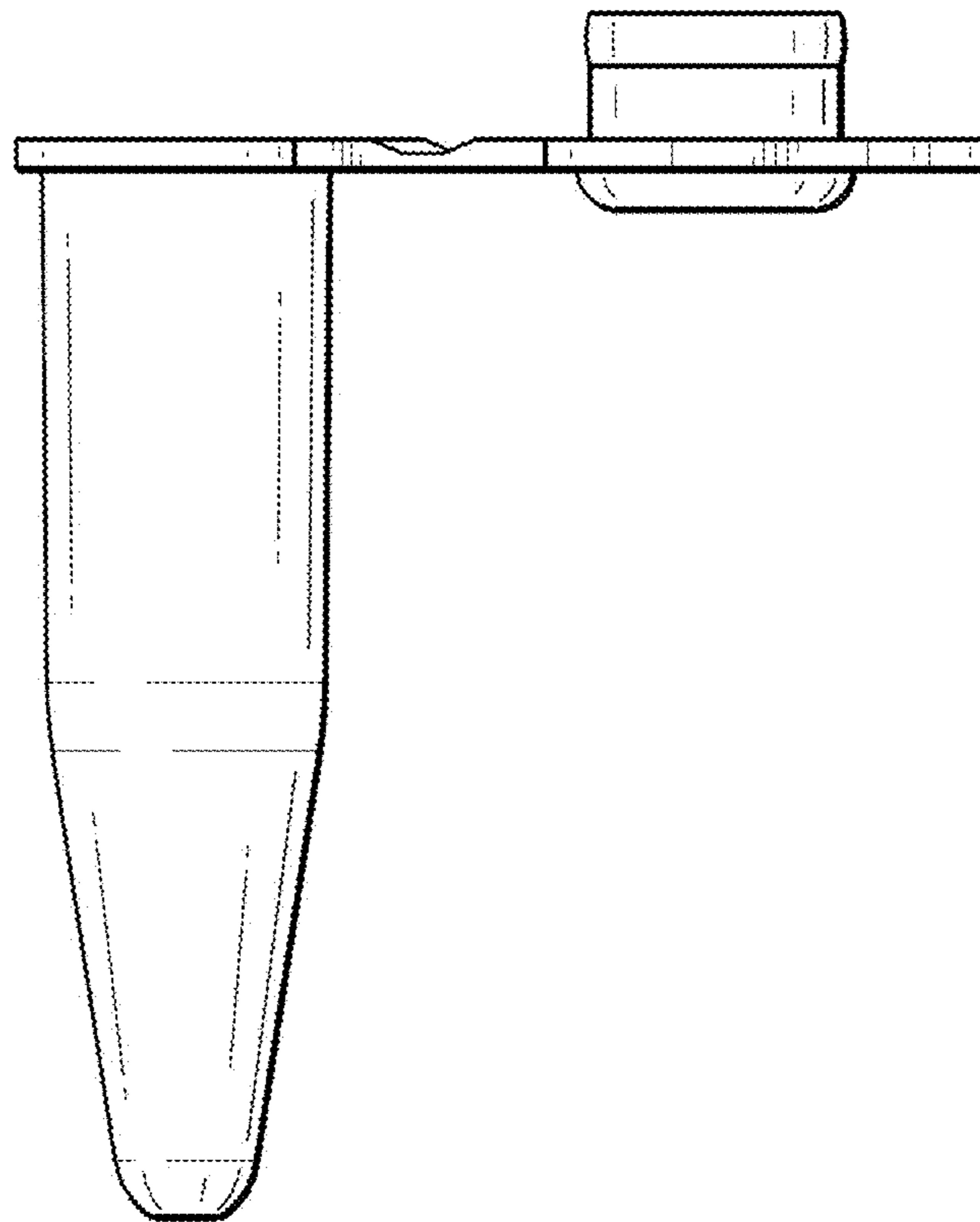


1.3

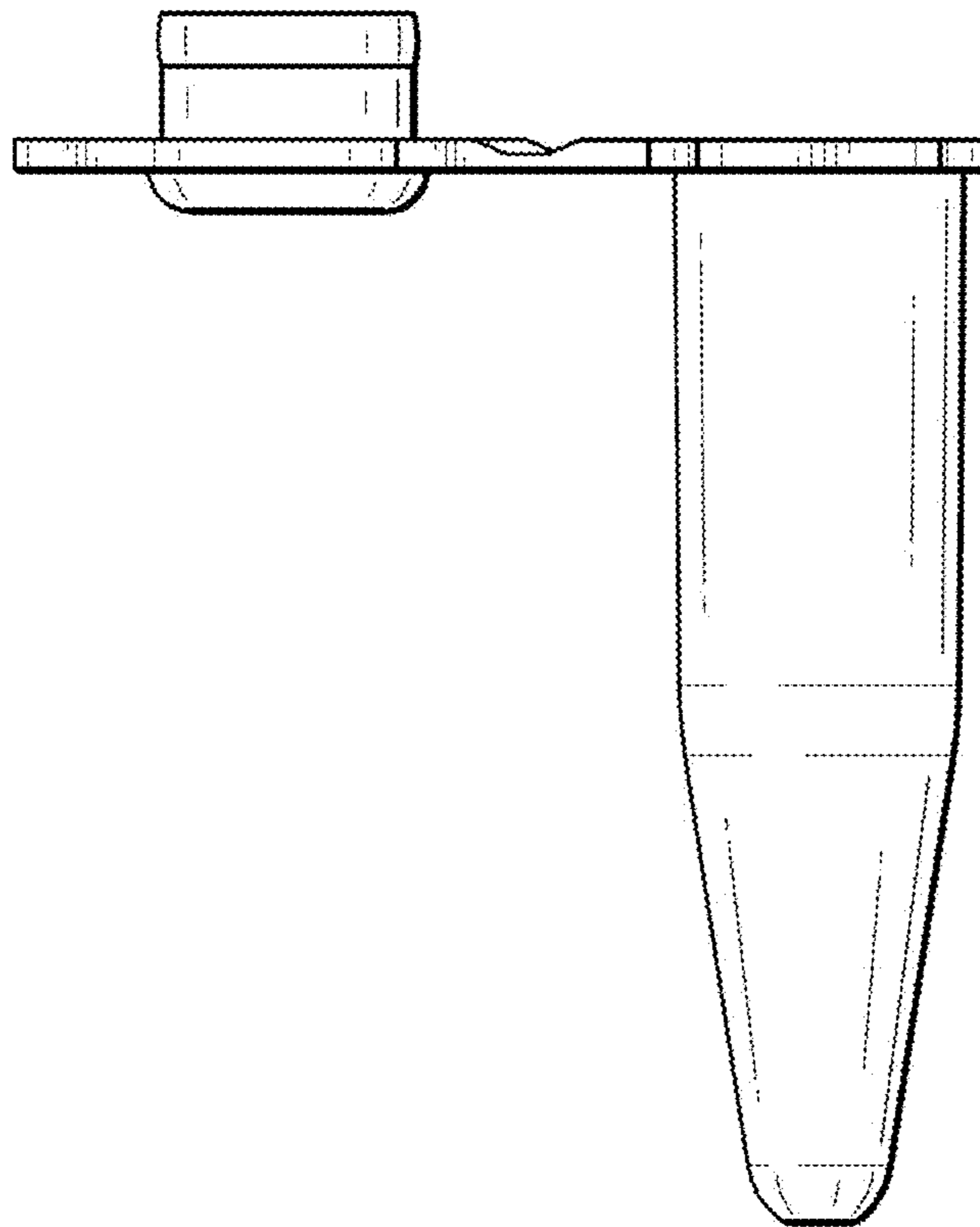




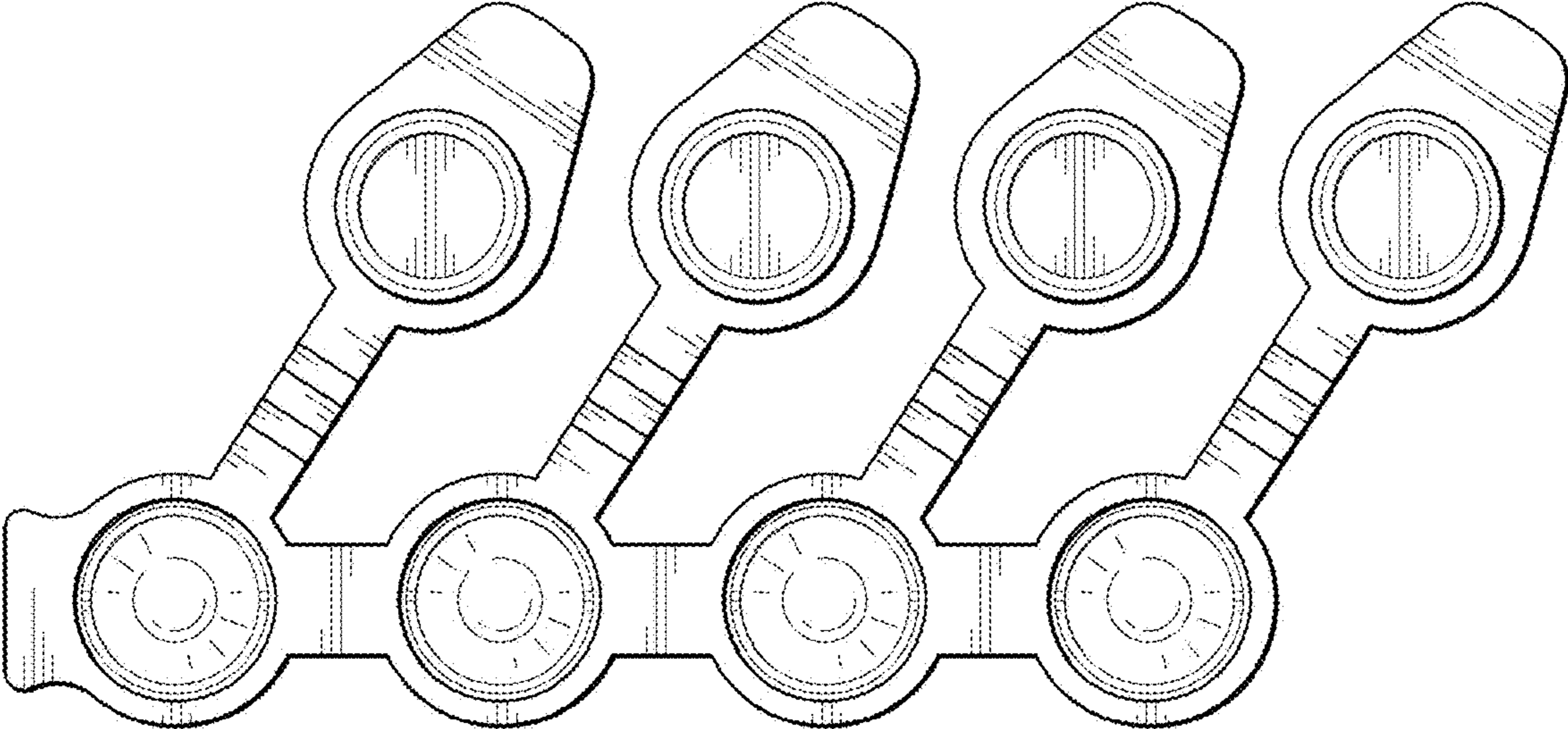
1.4



1.5

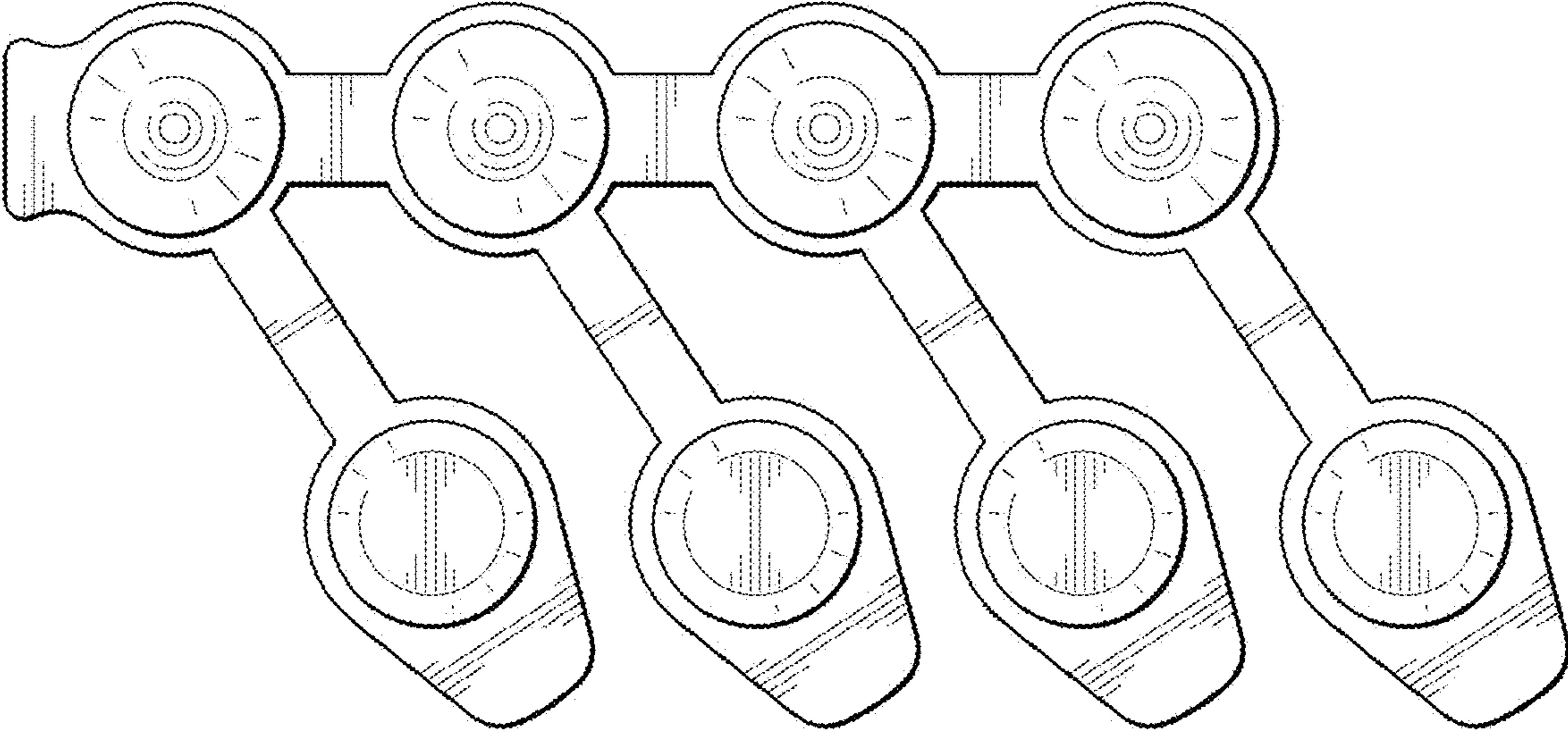


1.6

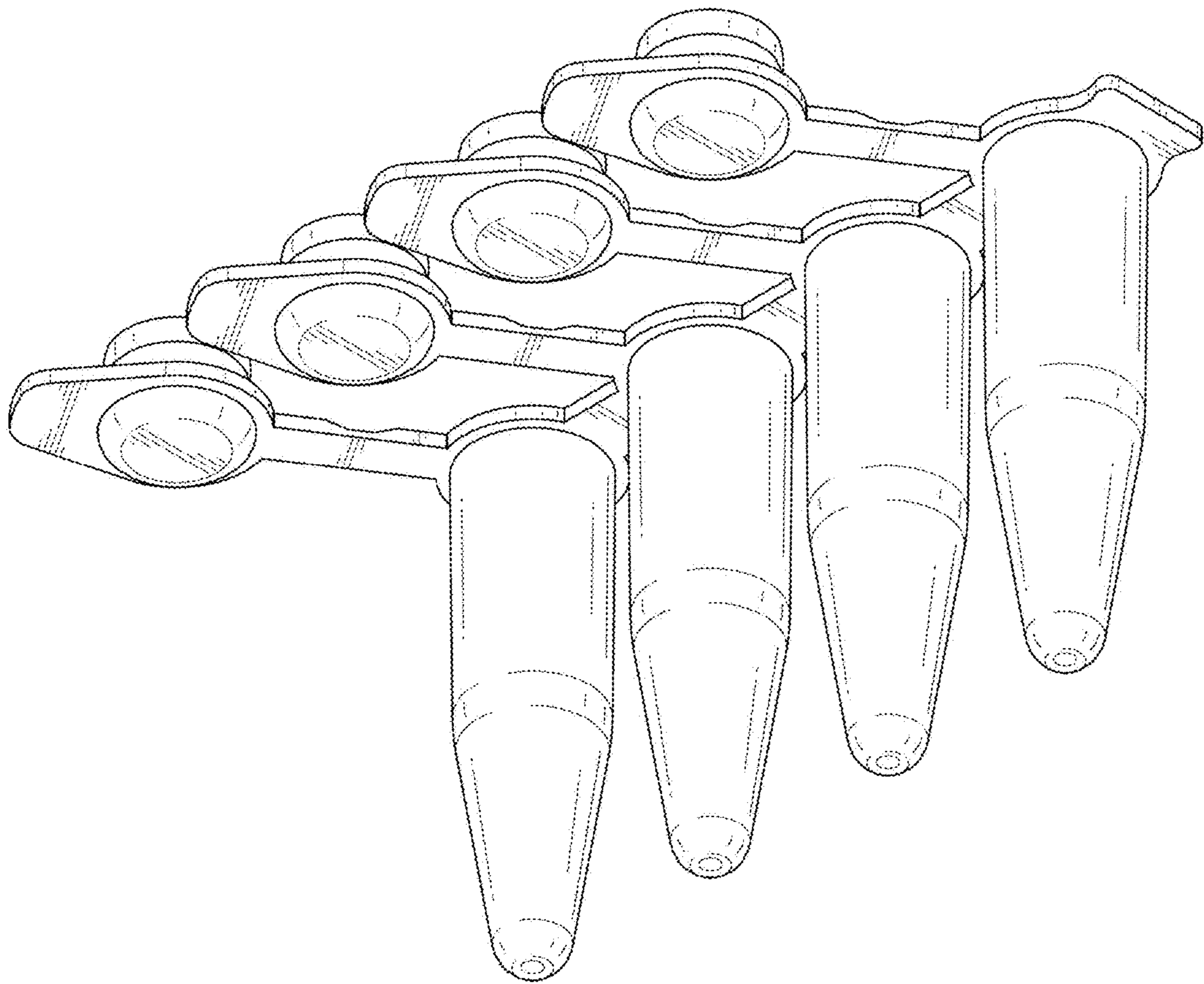




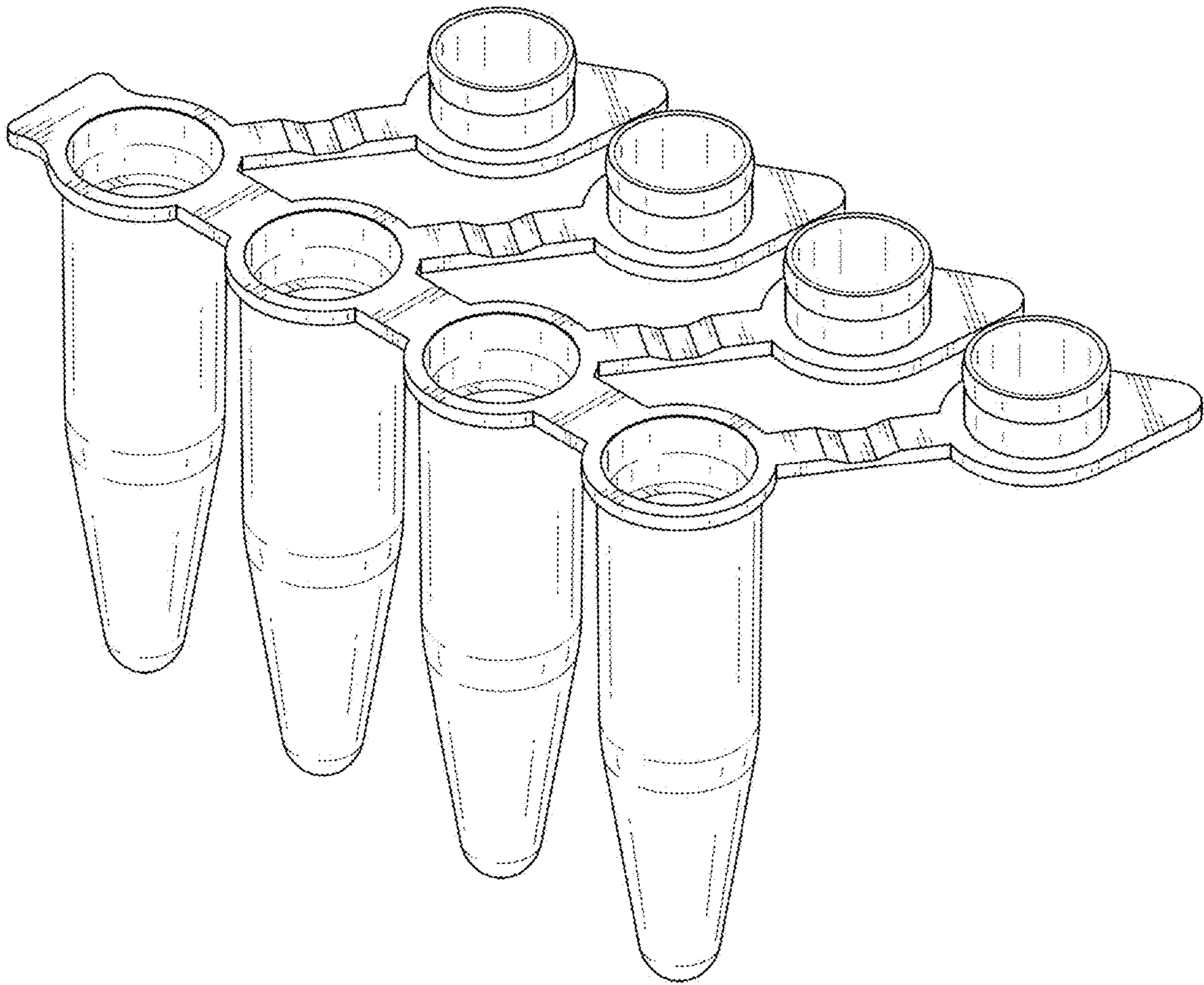
1.7



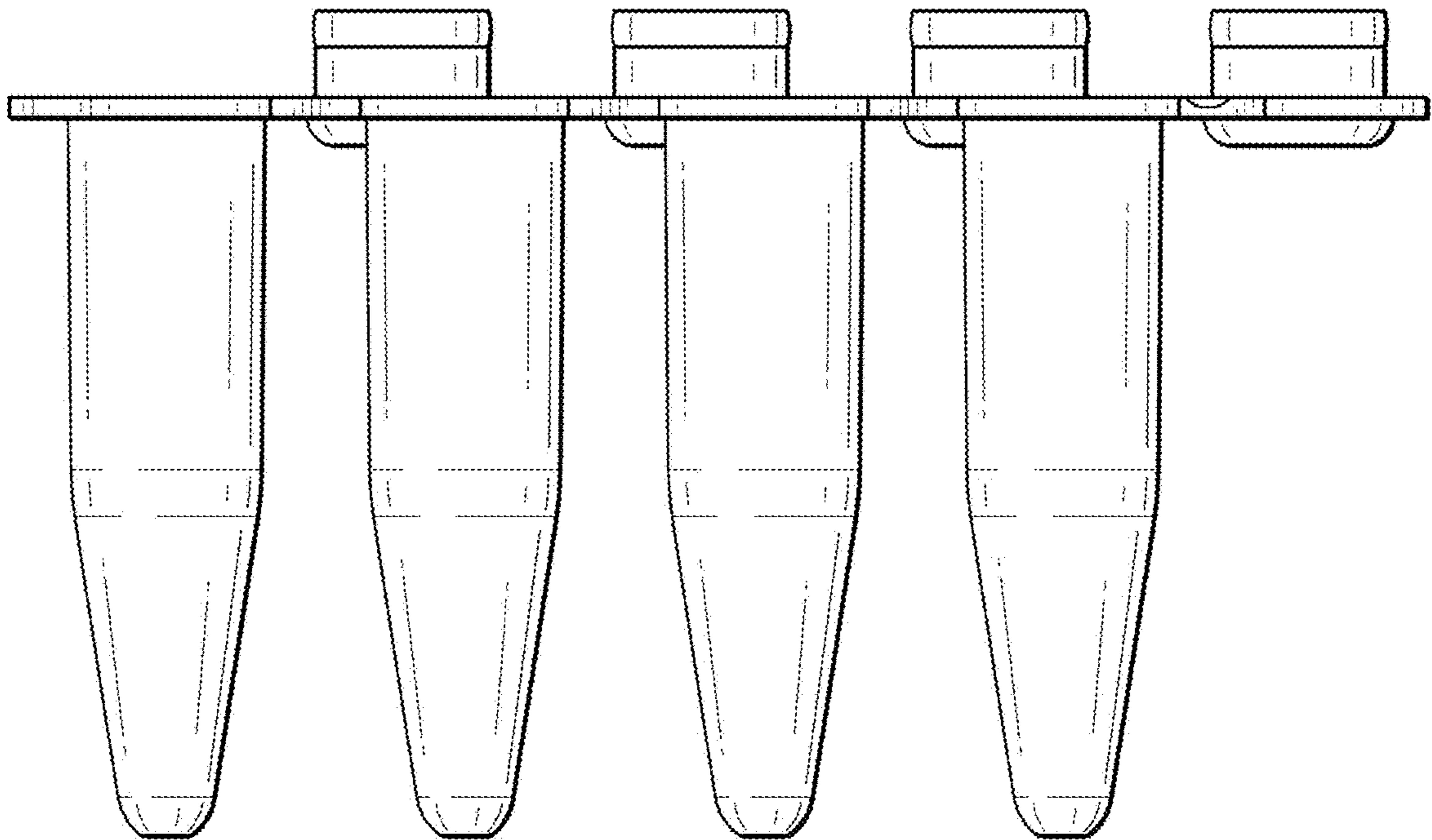
1.8



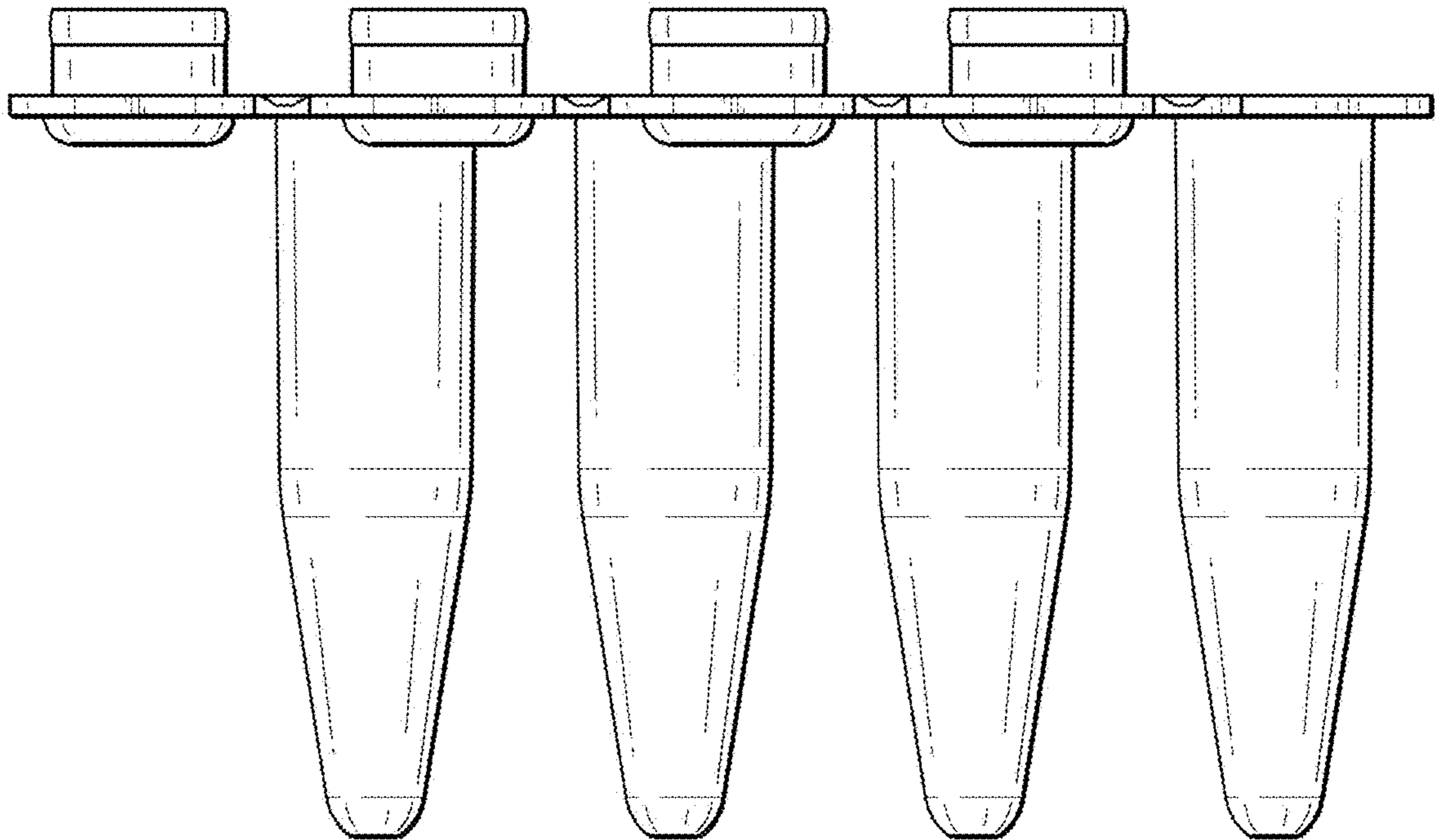
2.1



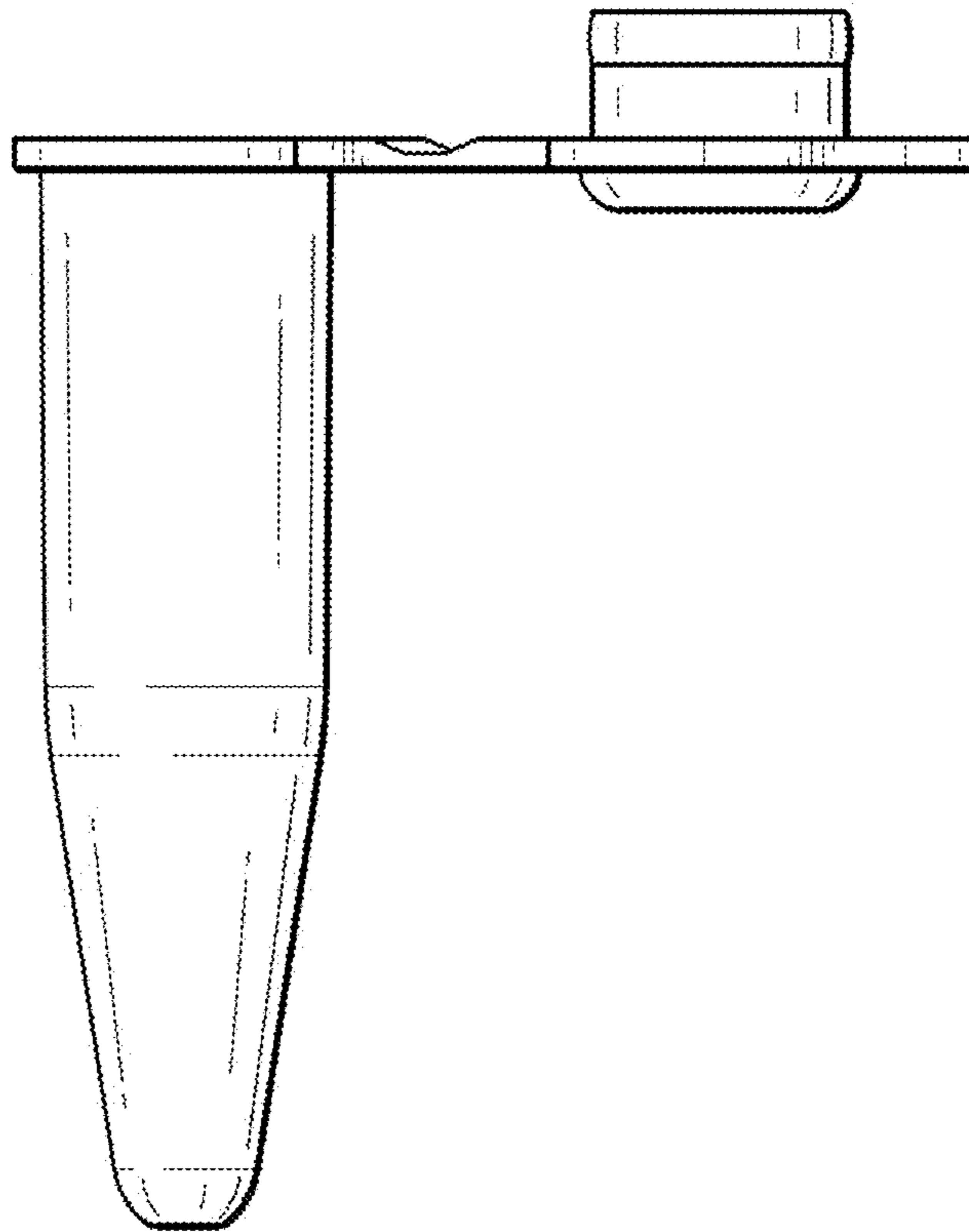
2.2



2.3

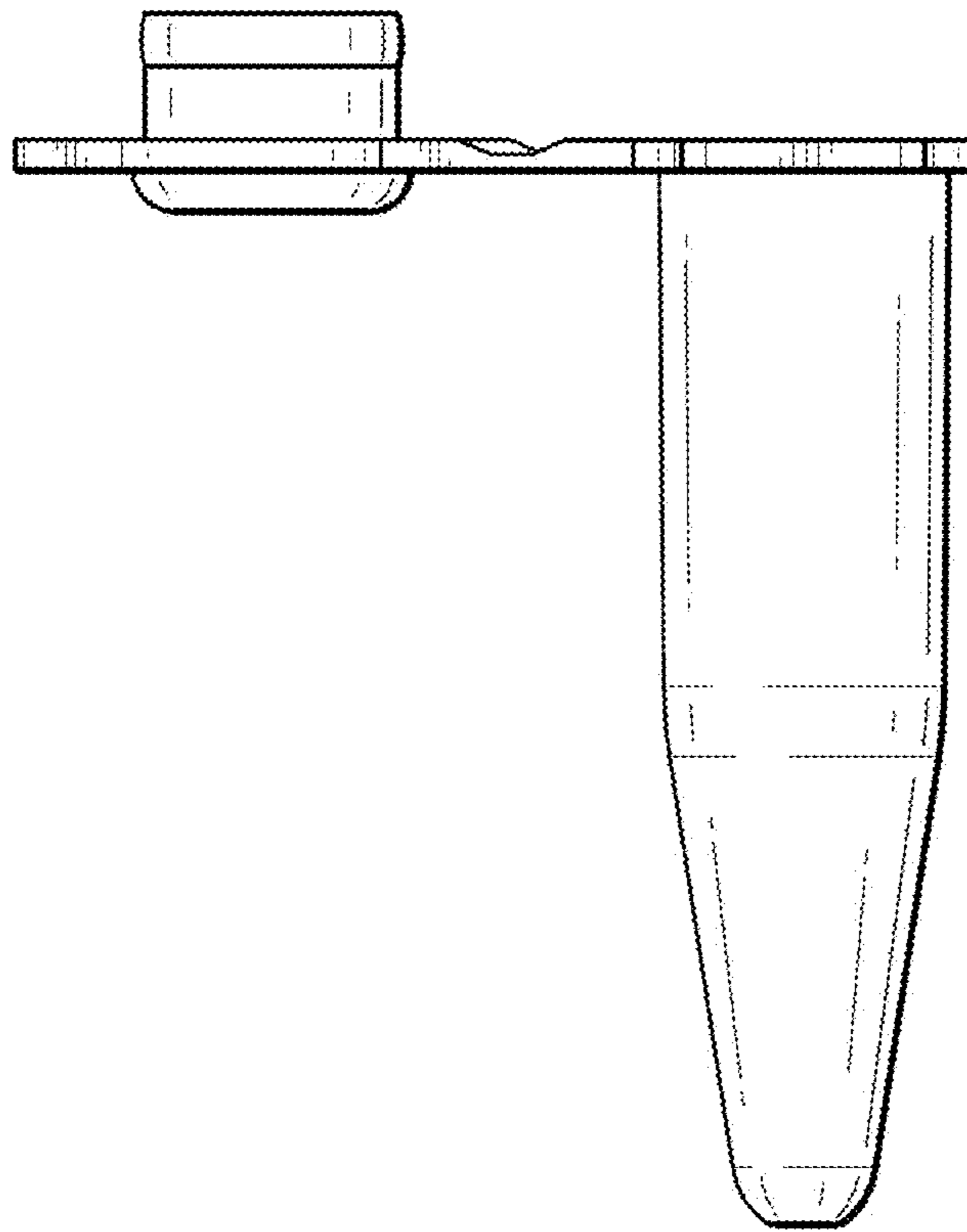


2.4

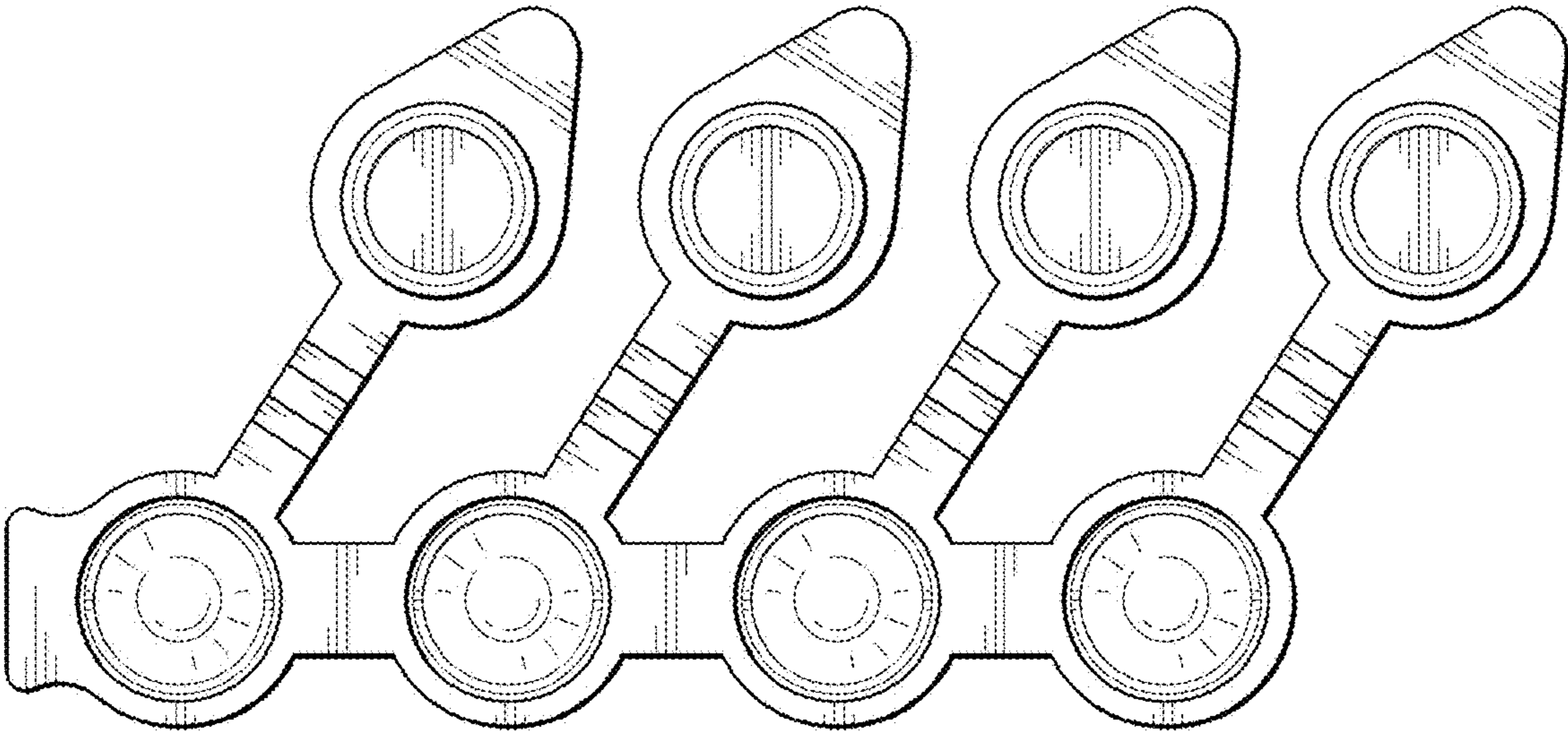




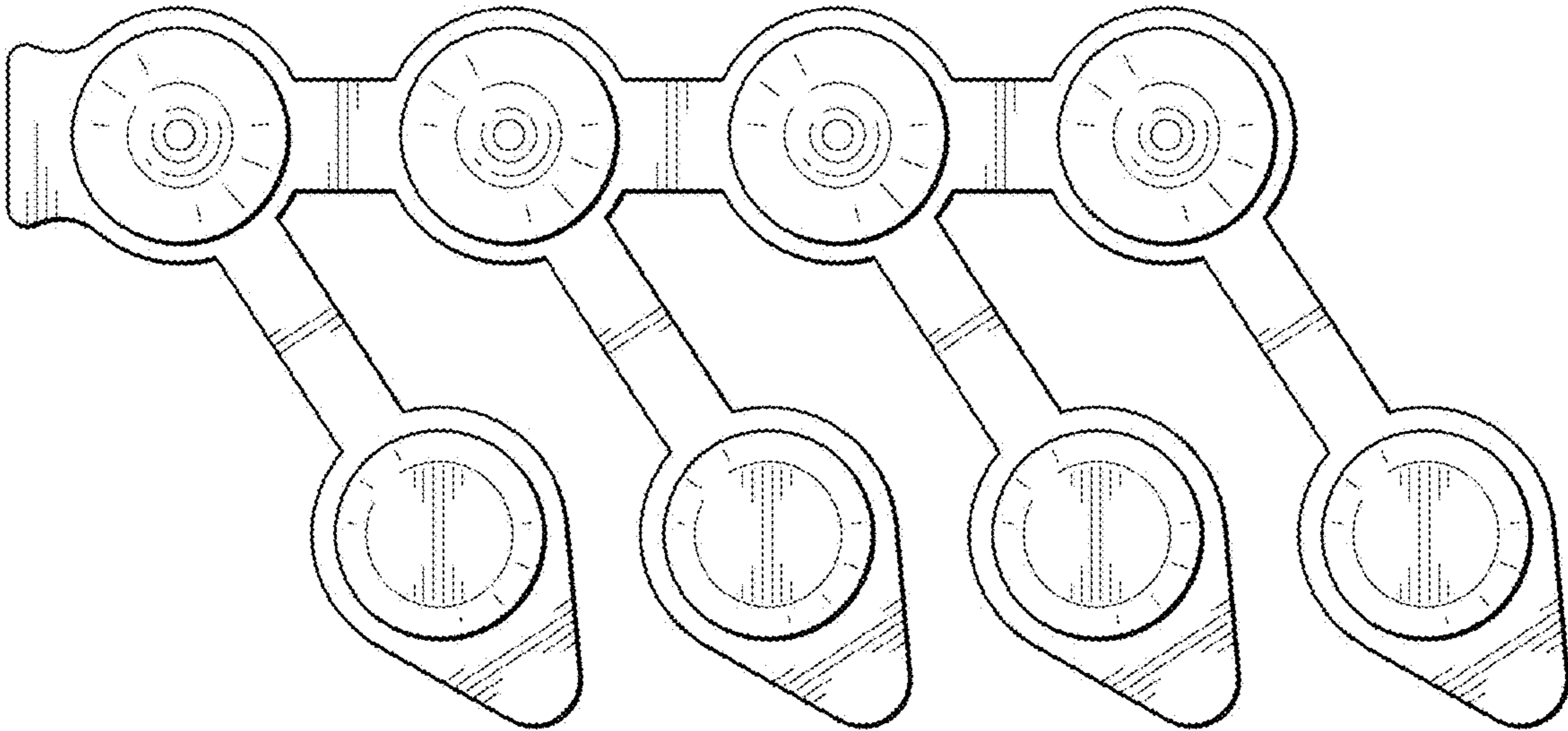
2.5



2.6



2.7



2.8

