



US00D954294S

(12) **United States Design Patent** (10) **Patent No.:** **US D954,294 S**
Keller et al. (45) **Date of Patent:** **** Jun. 7, 2022**

(54) **CARTRIDGE FOR MEDICAL TESTING EQUIPMENT**

D898,938 S * 10/2020 Hummel D24/222
D912,841 S * 3/2021 Iqbal D24/222
D928,951 S * 8/2021 Verschoor D24/137
D928,952 S * 8/2021 Verschoor D24/137
2013/0061694 A1* 3/2013 Saito B01L 3/0279
73/864.13

(71) Applicant: **Spindiag GmbH**, Freiburg (DE)

(72) Inventors: **Mark Keller**, Freiburg im Breisgau (DE); **Dominique Kosse**, Freiburg im Breisgau (DE); **Frank Schwemmer**, Freiburg im Breisgau (DE)

(**) Term: **15 Years**

(21) Appl. No.: **35/510,278**

(22) Filed: **Mar. 10, 2020**

(80) **Hague Agreement Data**

Int. Filing Date: **Mar. 10, 2020**
Int. Reg. No.: **DM/208472**
Int. Reg. Date: **Mar. 10, 2020**
Int. Reg. Pub. Date: **Sep. 18, 2020**

(51) **LOC (13) Cl.** **24-02**

(52) **U.S. Cl.**
USPC **D24/224**

(58) **Field of Classification Search**
USPC D24/185, 186, 188, 107, 121, 207, 216,
D24/217, 219, 222–224, 227, 229, 230,
D24/232
CPC B65D 25/108; B01L 9/543; B01L 3/0217;
B01L 3/0279
See application file for complete search history.

(56) **References Cited**

U.S. PATENT DOCUMENTS

D564,660 S * 3/2008 Hayashi D24/129
D627,477 S * 11/2010 Guichardon D24/222
D627,478 S * 11/2010 Guichardon D24/222
D772,426 S * 11/2016 Sanchez D24/222
D859,685 S * 9/2019 Tsai G01N 27/44704
D24/224

OTHER PUBLICATIONS

Wild Design. Case Studies—Spindaig. 2019. <https://wilddesign.de/fileadmin/Media-DE/Work/SpinDiag/Flyer-Medica-Casestudies-CKu-191022-Rev02.pdf> (Year: 2019).*
Hahn Schickard. Hahn-Schickard produces PCR rapid tests for SARS-CoV-2. Nov. 16, 2020. <https://www.hahn-schickard.de/en/news-detail/hahn-schickard-fertigt-pcr-schnelltests-auf-sars-cov-2> (Year: 2020).*
Twitter. Spindiag Tweet. Nov. 17, 2020. <https://twitter.com/spindiag/status/1328699414437740544> (Year: 2020).*
Alamy. Stuttgart Germany. Nov. 16, 2020. <https://bit.ly/3kHRcy3> (Year: 2020).*

* cited by examiner

Primary Examiner — Darcey E Gottschalk

(57) **CLAIM**

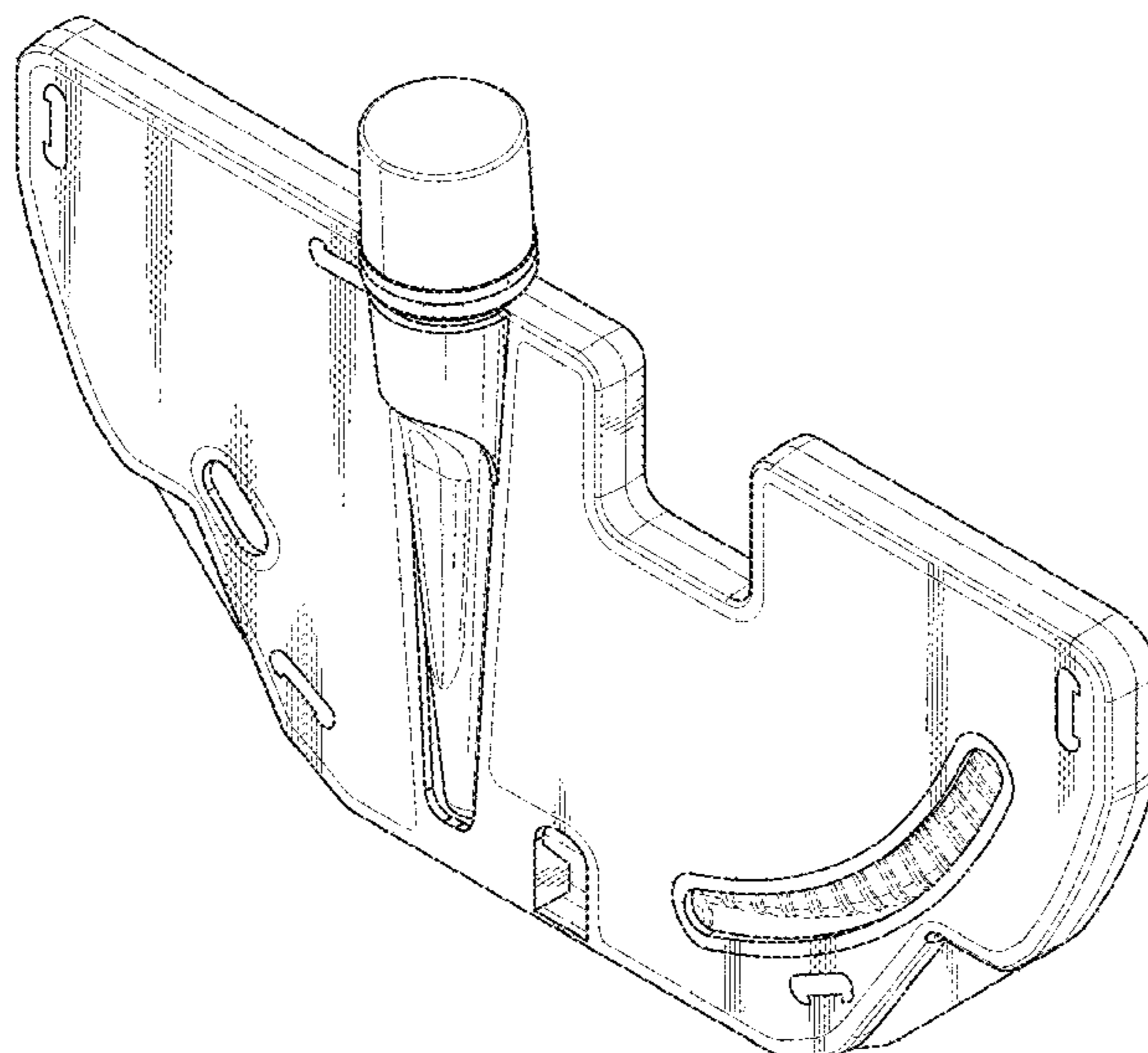
The ornamental design for a cartridge for medical testing equipment, as shown and described.

DESCRIPTION

- 1. Cartridge for medical testing equipment
- 1.1 : Front
- 1.2 : Top perspective view
- 1.3 : Side view
- 1.4 : Top
- 1.5 : Another top perspective view
- 1.6 : Back
- 1.7 : Another top perspective view

The broken lines in the above Figures depict portions of the cartridge for medical testing equipment that form no part of the claim.

1 Claim, 7 Drawing Sheets



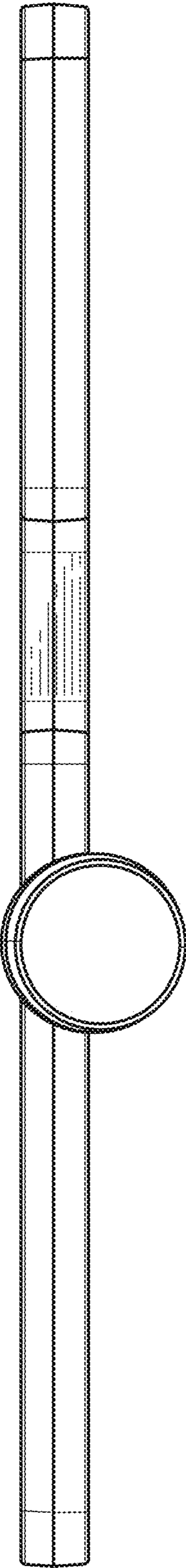


FIG. 1.1

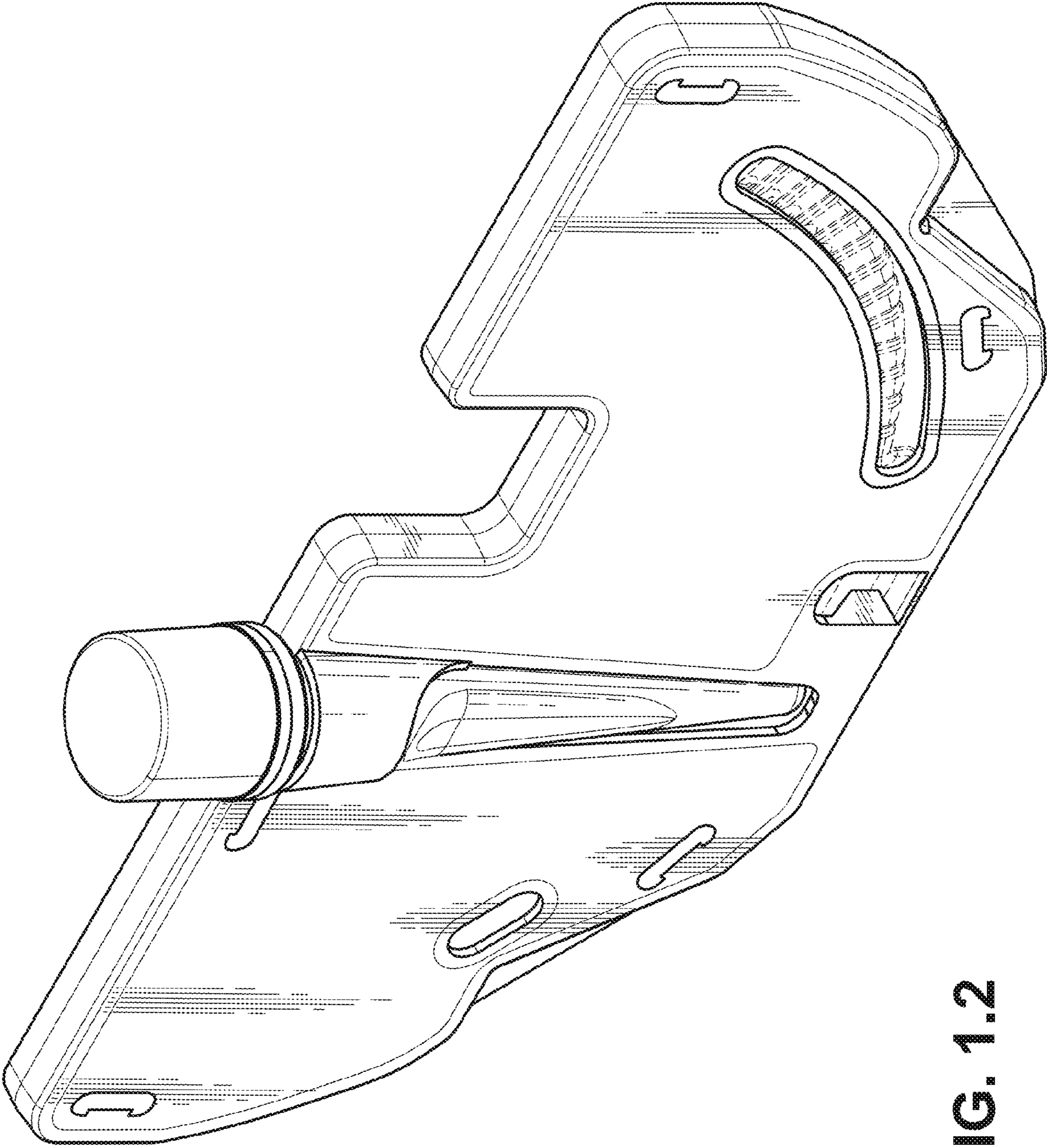


FIG. 1.2

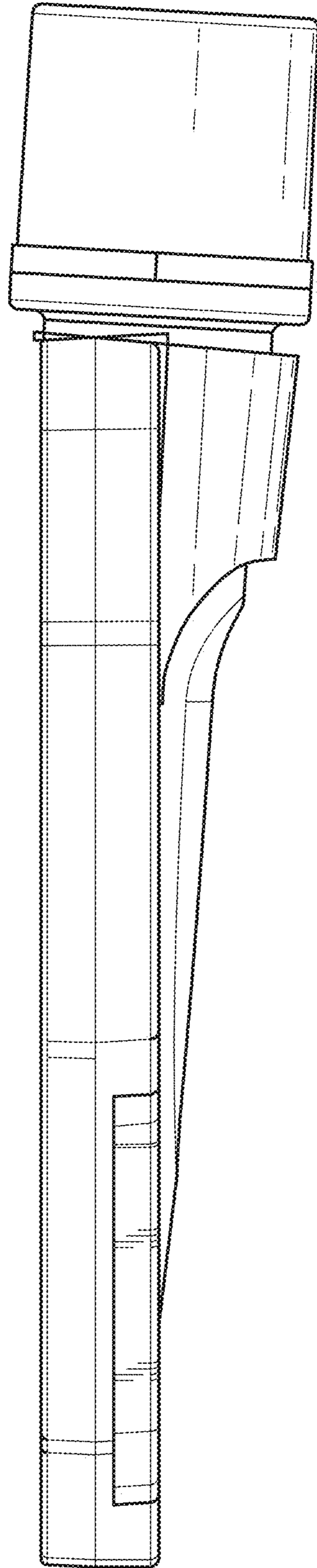


FIG. 1.3

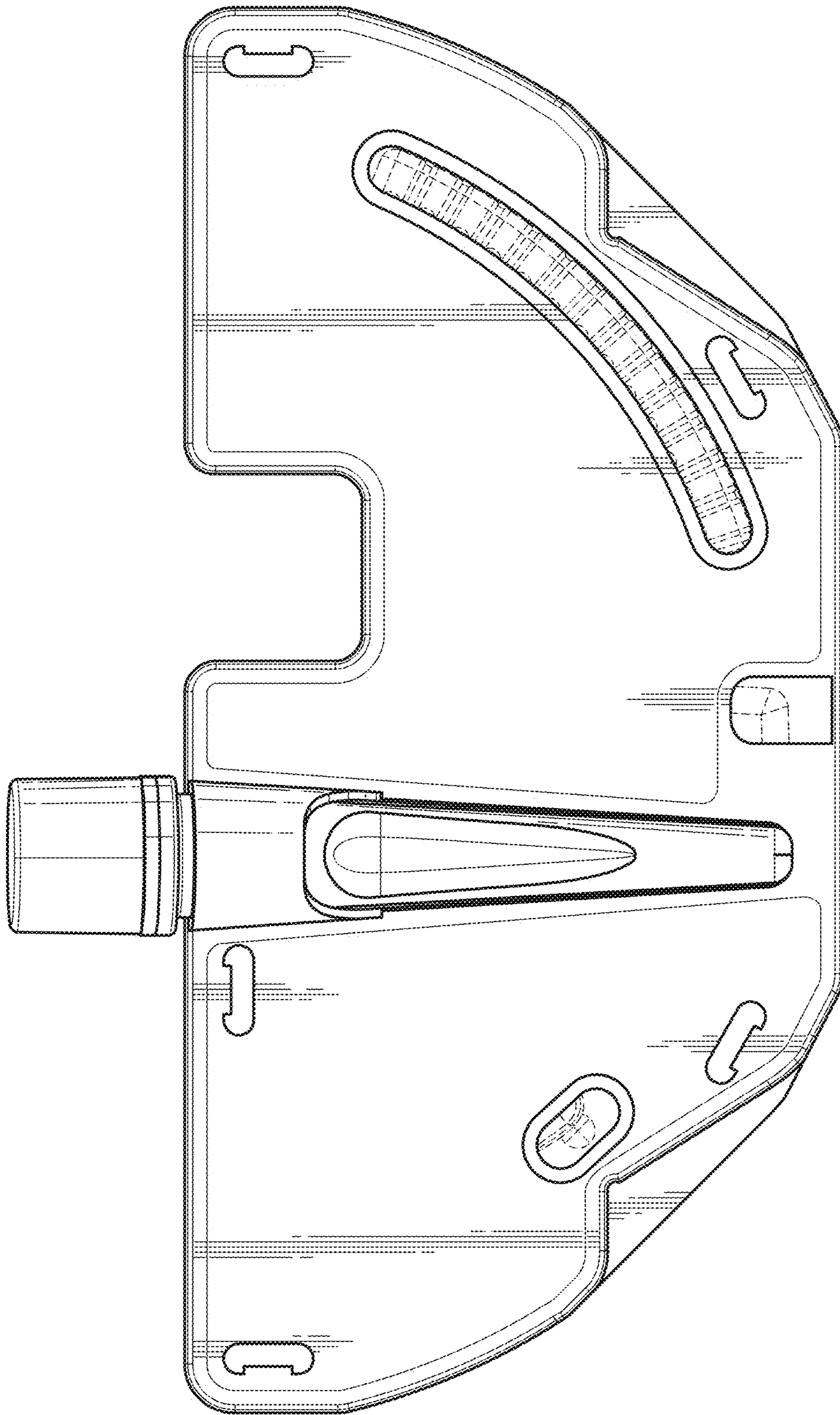


FIG. 1.4

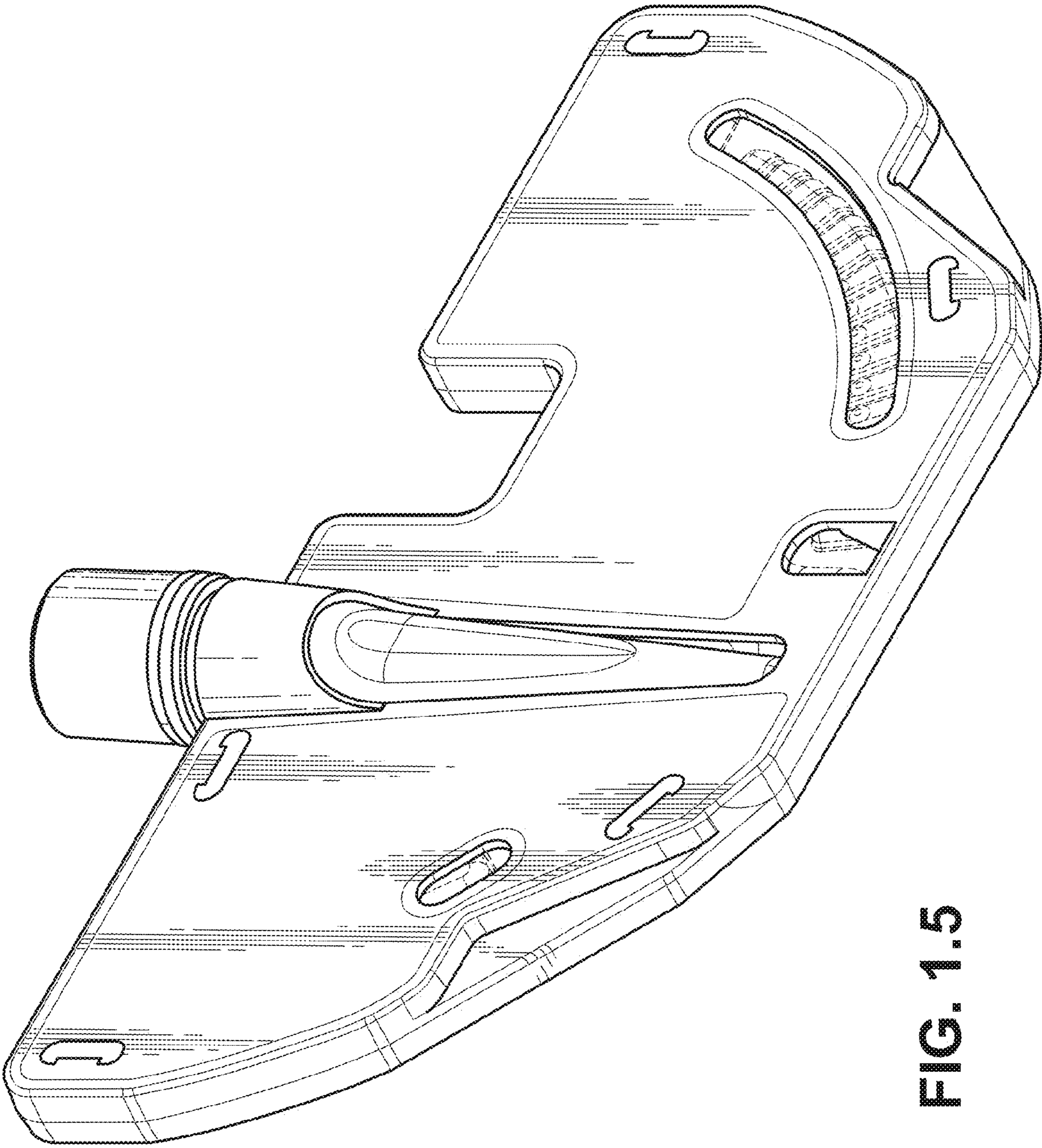


FIG. 1.5

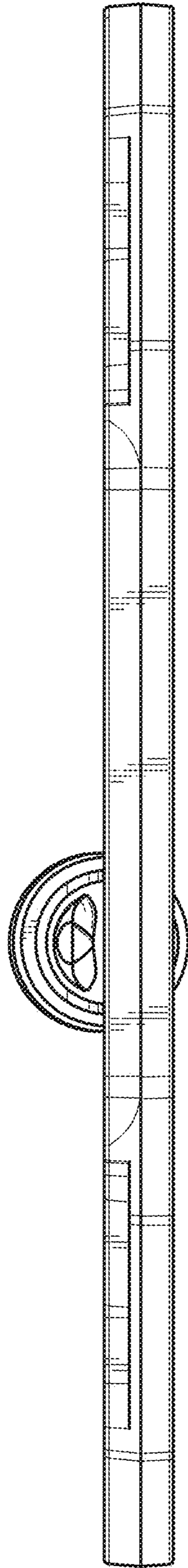


FIG. 1.6

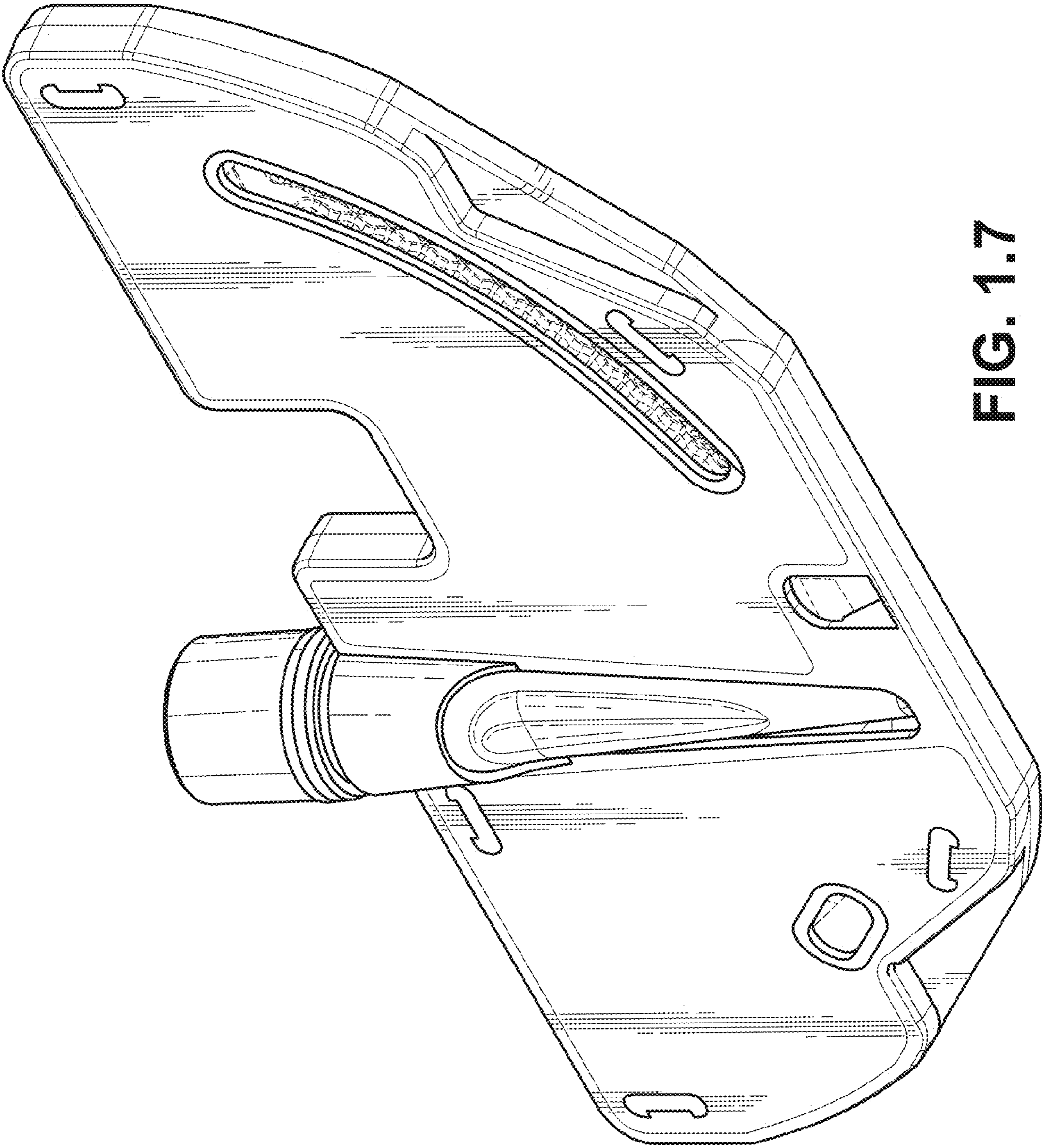


FIG. 1.7