



US00D954291S

(12) **United States Design Patent**
Kim et al.

(10) **Patent No.:** **US D954,291 S**
(45) **Date of Patent:** **** Jun. 7, 2022**

(54) **STERILIZATION CASE FOR AIR MASK**

(71) Applicant: **LG ELECTRONICS INC.**, Seoul (KR)

(72) Inventors: **Byeongwook Kim**, Seoul (KR);
Dongsoon Kim, Seoul (KR)

(73) Assignee: **LG ELECTRONICS INC.**, Seoul (KR)

(**) Term: **15 Years**

(21) Appl. No.: **29/751,986**

(22) Filed: **Sep. 24, 2020**

(30) **Foreign Application Priority Data**

Mar. 26, 2020 (KR) 30-2020-0013622

(51) **LOC (13) Cl.** **24-01**

(52) **U.S. Cl.**
USPC **D24/217**

(58) **Field of Classification Search**

USPC D24/107, 209, 210, 216, 217, 218, 231,
D24/232, 234; D26/37, 38, 51; D32/1,
D32/25; D3/203.1, 294; D13/108
CPC ... A61L 2/025; A61L 2/07; A61L 2/10; A61L
2/18; A61L 2/24; A61L 2/26; A61L
2202/10; A61L 2202/11; A61L 2202/14;
A61L 2202/23; A61L 2202/24; A61L
2202/122; A61L 2202/182

See application file for complete search history.

(56) **References Cited**

U.S. PATENT DOCUMENTS

D629,529 S * 12/2010 Russell, II D24/217
D735,198 S * 7/2015 Song D14/432

D838,411 S * 1/2019 Floyd D28/7
D884,918 S * 5/2020 Roberts D24/217
D887,351 S * 6/2020 Bonahoom D13/108
D896,979 S * 9/2020 Schumaier D24/217
D900,333 S * 10/2020 Xie D24/217
D912,623 S * 3/2021 Zhou D3/294
D919,610 S * 5/2021 Li D14/252
D923,936 S * 7/2021 Lee D3/294
2017/0043043 A1* 2/2017 Martz A61L 2/24
2021/0290808 A1* 9/2021 Schumaier A61L 2/10

* cited by examiner

Primary Examiner — Anhdao Doan

(74) *Attorney, Agent, or Firm* — Birch, Stewart, Kolasch & Birch, LLP

(57) **CLAIM**

The ornamental design for a sterilization case for air mask, as shown and described.

DESCRIPTION

FIG. 1 is a front, right side, perspective view of a sterilization case for air mask showing our new design;
FIG. 2 is a front view thereof;
FIG. 3 is a rear view thereof;
FIG. 4 is a left side view thereof;
FIG. 5 is a right side view thereof;
FIG. 6 is a top view thereof; and,
FIG. 7 is a bottom view.

The broken lines indicate portions of the article that form no part of the claimed design.

1 Claim, 5 Drawing Sheets



FIG. 1



FIG. 2

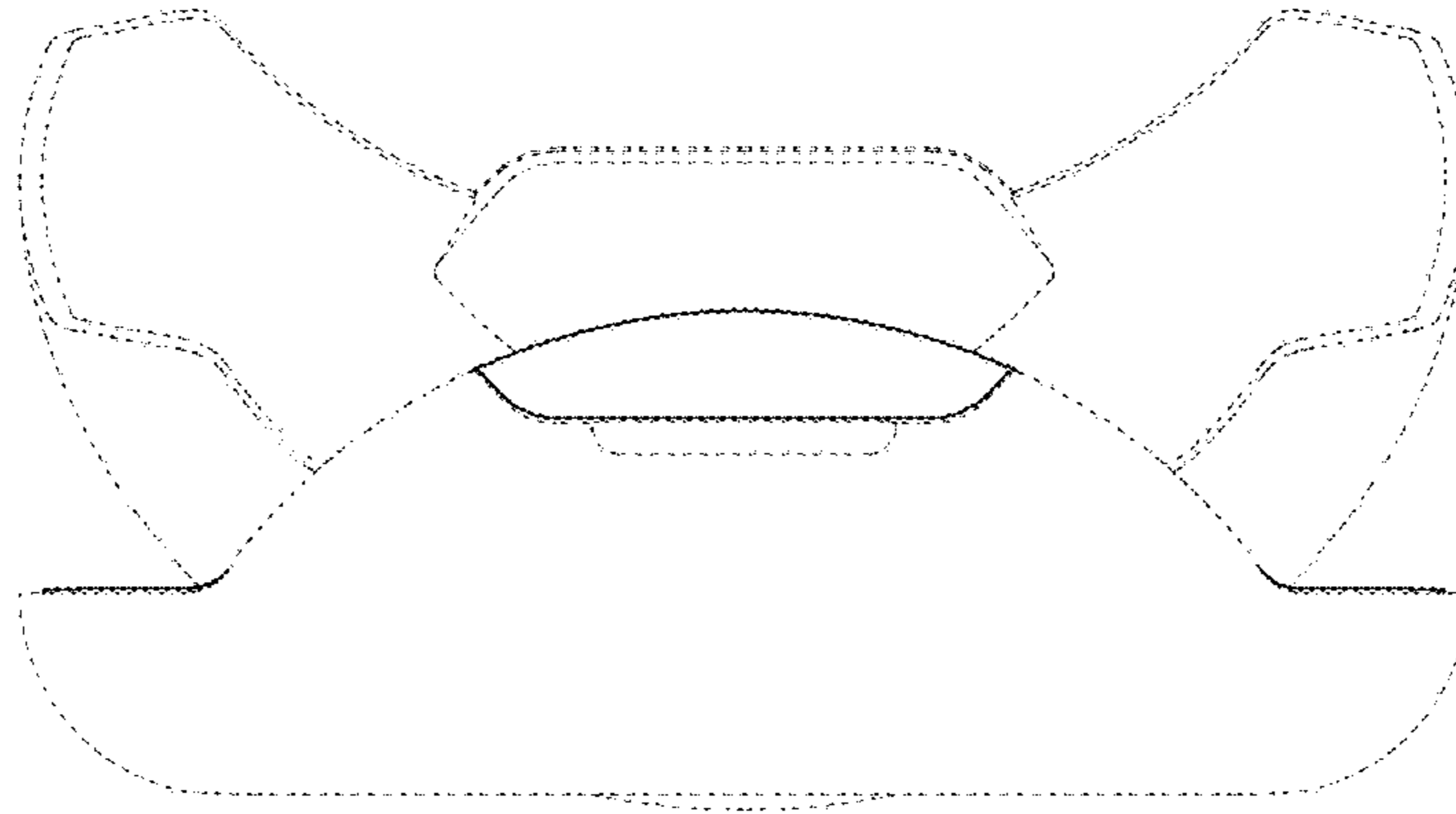


FIG. 3

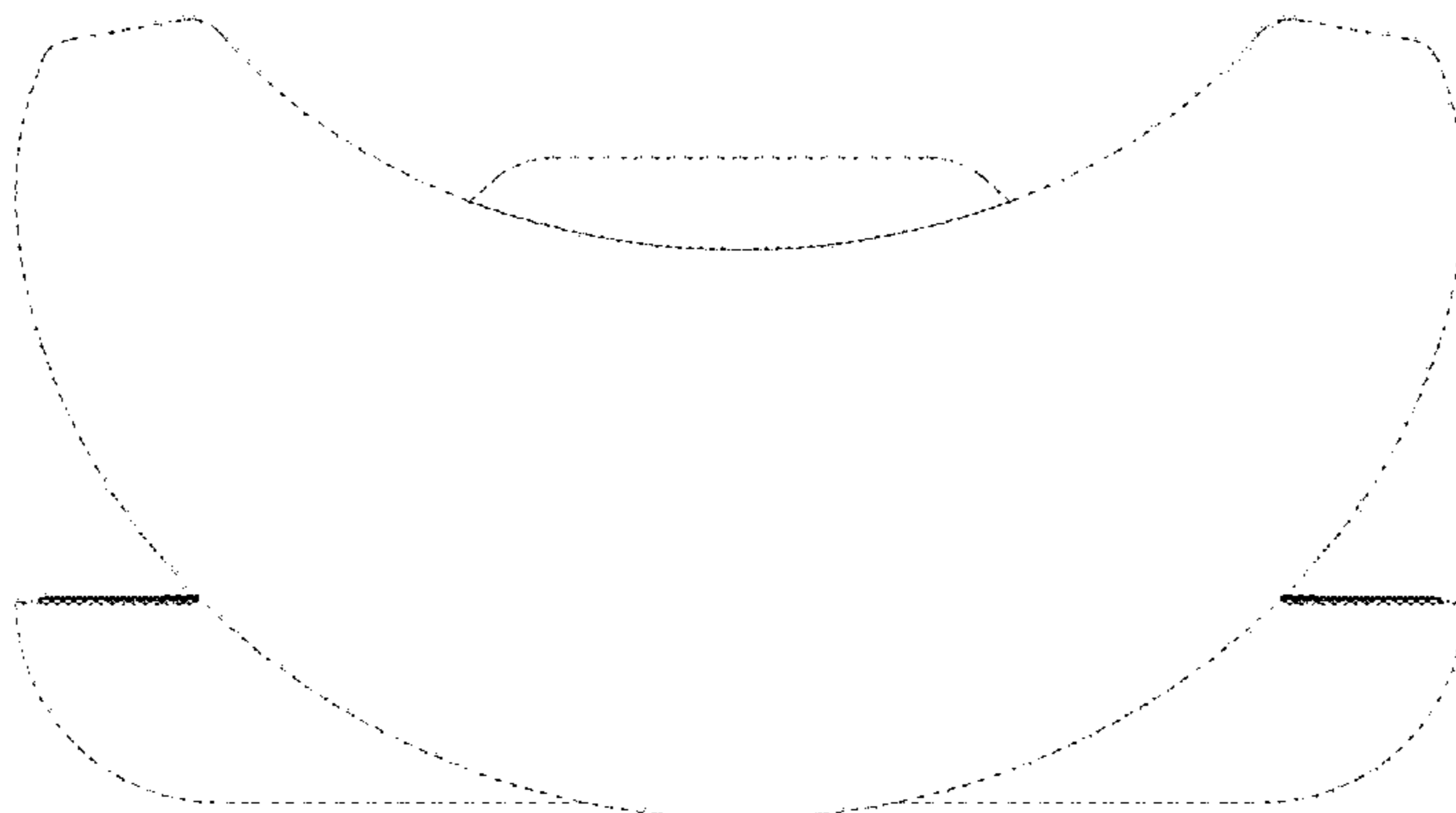


FIG. 4

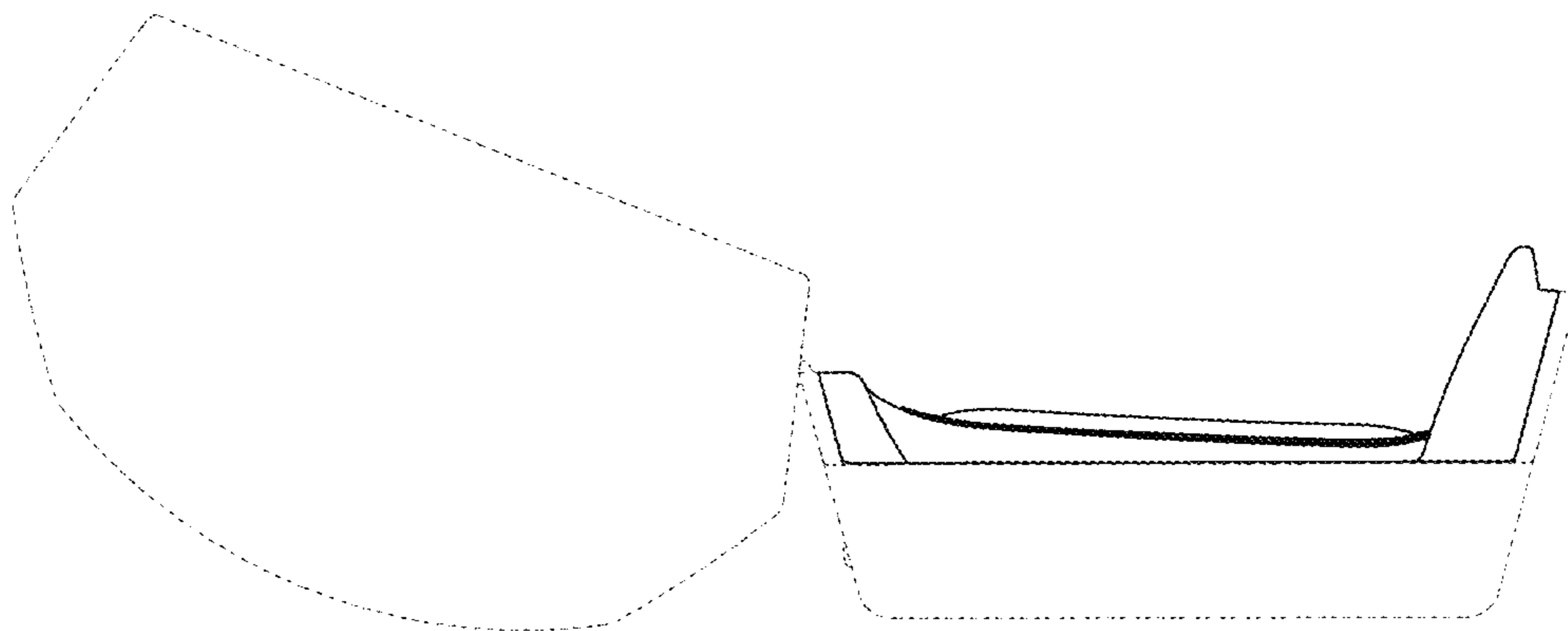


FIG. 5

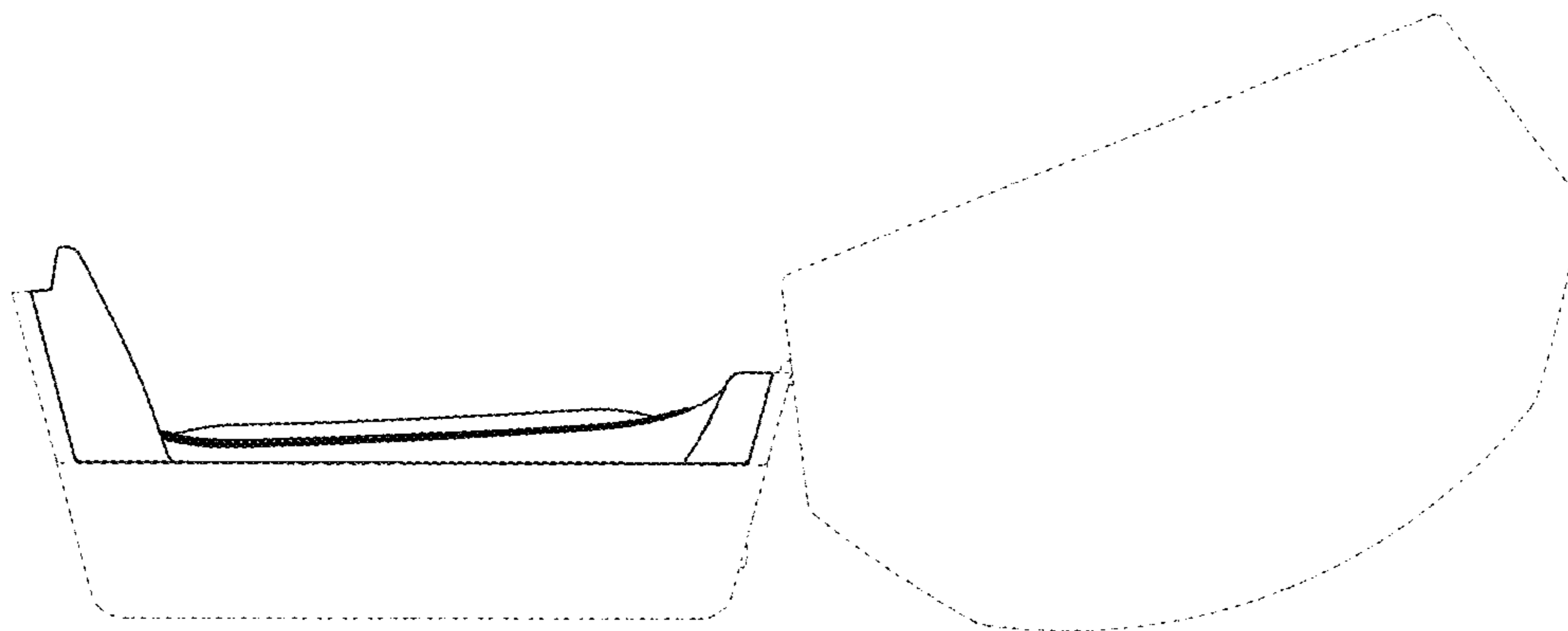


FIG. 6

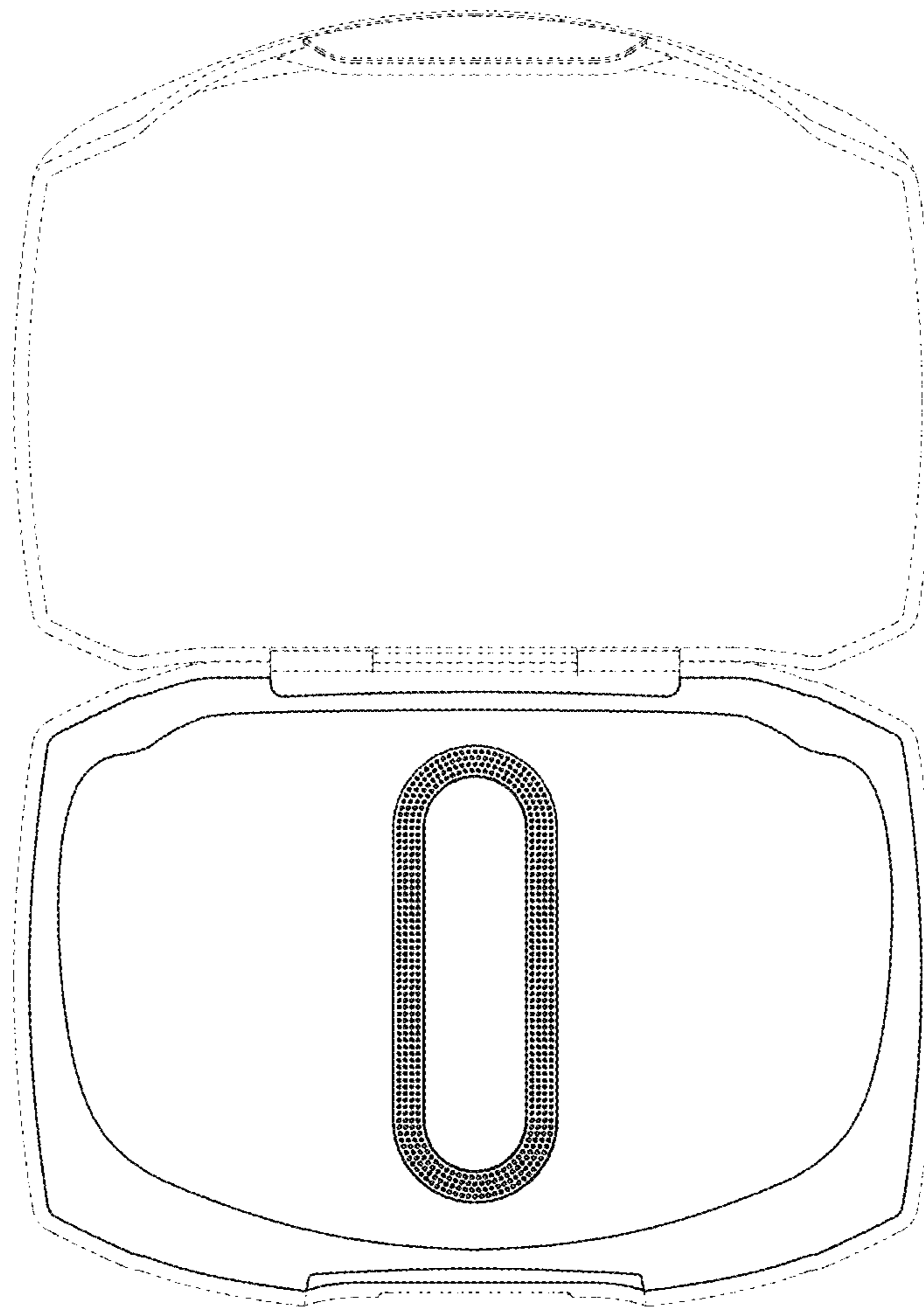


FIG. 7

