

US00D954289S

(12) **United States Design Patent**
Keller

(10) **Patent No.:** **US D954,289 S**
(45) **Date of Patent:** **** Jun. 7, 2022**

(54) **MEDICAL TESTING PROCESSING DEVICE**

(71) Applicant: **Spindiag GmbH**, Freiburg (DE)

(72) Inventor: **Mark Keller**, Freiburg im Breisgau (DE)

(**) Term: **15 Years**

(21) Appl. No.: **35/510,310**

(22) Filed: **Mar. 10, 2020**

(80) **Hague Agreement Data**

Int. Filing Date: **Mar. 10, 2020**

Int. Reg. No.: **DM/208454**

Int. Reg. Date: **Mar. 10, 2020**

Int. Reg. Pub. Date: **Sep. 18, 2020**

(30) **Foreign Application Priority Data**

Sep. 12, 2019 (EM) 006860797-0001

(51) **LOC (13) Cl.** **24-01**

(52) **U.S. Cl.**
USPC **D24/216; D24/232**

(58) **Field of Classification Search**

USPC D24/185, 186, 188, 107, 121, 207, 216,
D24/217, 219, 222-224, 227, 229, 230,
D24/232

CPC G08G 1/096883; G08G 1/096872; G08G
1/096775; G01C 21/16; G01C 21/3688;
G01C 21/30; G01V 8/20; G01J 5/023;
G01J 5/24; A61B 5/4824; A61B 5/483

See application file for complete search history.

(56) **References Cited**

U.S. PATENT DOCUMENTS

D400,249 S * 10/1998 Holubar D24/107
D508,565 S * 8/2005 Nephin D14/336
D537,951 S * 3/2007 Okamoto D24/233
D599,688 S * 9/2009 Ito D10/81

D728,121 S * 4/2015 Cook D24/216
D734,484 S * 7/2015 Nishikawa D24/216
D762,860 S * 8/2016 He D24/186
D796,358 S * 9/2017 Abbott D10/81
D835,281 S * 12/2018 Clifford D24/185
D846,745 S * 4/2019 Clifford D24/185
D854,188 S * 7/2019 Schaeken D24/232
D890,357 S * 7/2020 Zanon D24/217
D892,352 S * 8/2020 Huang D24/232
D906,536 S * 12/2020 Kozono D24/216
D922,588 S * 6/2021 Long D24/186
D927,723 S * 8/2021 Nelsen D24/216
D932,047 S * 9/2021 Hölbl D24/216
D932,929 S * 10/2021 Stone D24/216
D936,706 S * 11/2021 Swatosch D15/7
D941,491 S * 1/2022 Klein D24/232
D942,037 S * 1/2022 Mathers D24/232
D942,641 S * 2/2022 Reavis, Jr. D24/216

(Continued)

OTHER PUBLICATIONS

Wild Design. Case Studies—Spindaig. 2019. <https://wilddesign.de/fileadmin/Media-DE/Work/SpinDiag/Flyer-Medica-Casestudies-CKu-191022-Rev02.pdf> (Year: 2019).*

(Continued)

Primary Examiner — Darcey E Gottschalk

(57) **CLAIM**

The ornamental design for a medical testing processing device, as shown and described.

DESCRIPTION

1. Medical testing processing device

1.1 : Top perspective view

1.2 : Top

1.3 : left side view

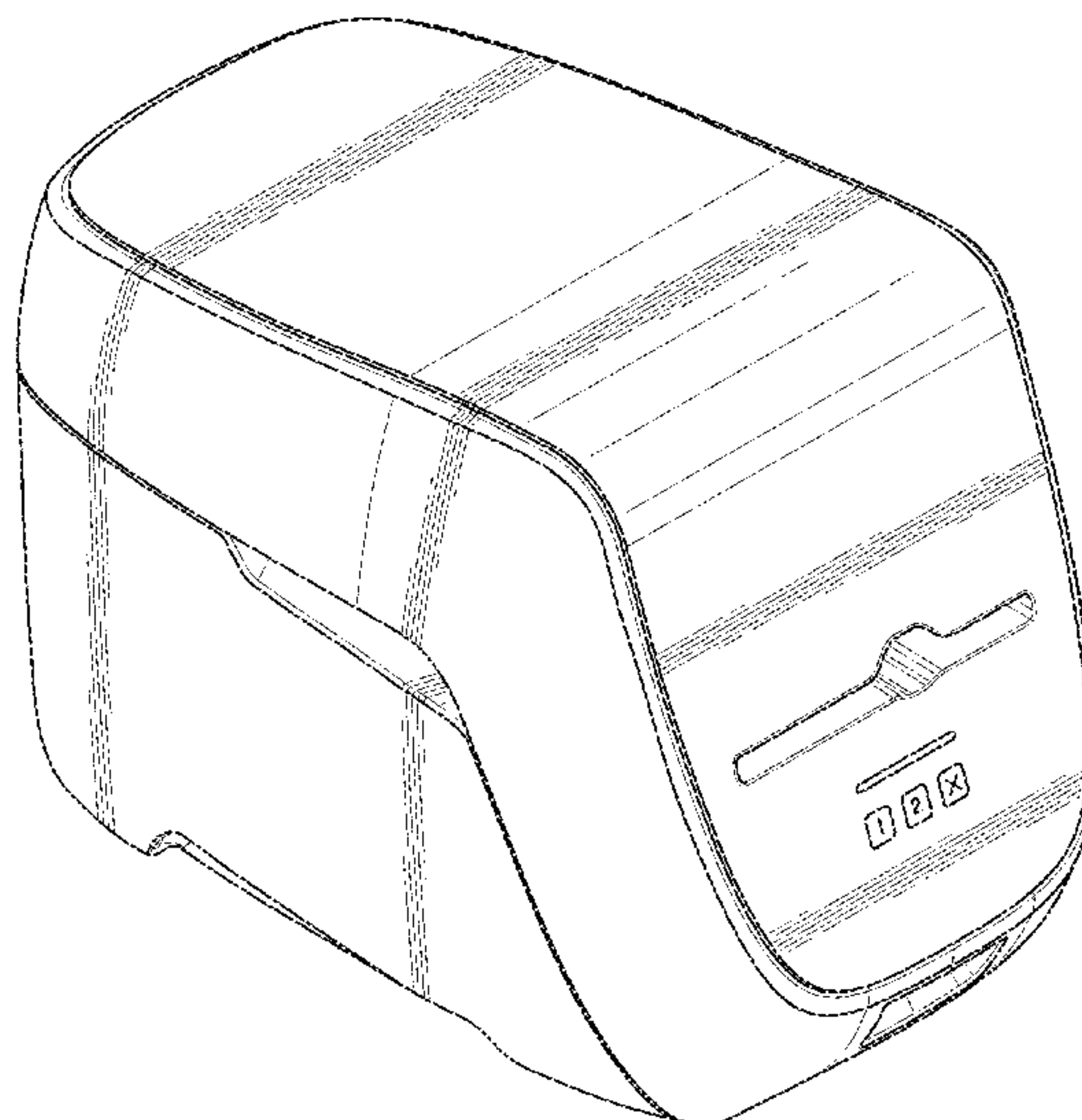
1.4 : Front

1.5 : right side view

1.6 : Bottom perspective view

1.7 : Bottom

1 Claim, 7 Drawing Sheets



(56)

References Cited

U.S. PATENT DOCUMENTS

D942,646 S * 2/2022 Mathers D24/232

OTHER PUBLICATIONS

Hahn Schickard. Hahn-Schickard produces PCR rapid tests for SARS-CoV-2. Nov. 16, 2020. <https://www.hahn-schickard.de/en/news-detail/hahn-schickard-fertigt-pcr-schnelltests-auf-sars-cov-2> (Year: 2020).*

Twitter. Spindiag Tweet. Nov. 17, 2020. <https://twitter.com/spindiag/status/1328699414437740544> (Year: 2020).*

Alamy. Stuttgart Germany. Nov. 16, 2020. <https://bit.ly/3kHRcy3> (Year: 2020).*

* cited by examiner

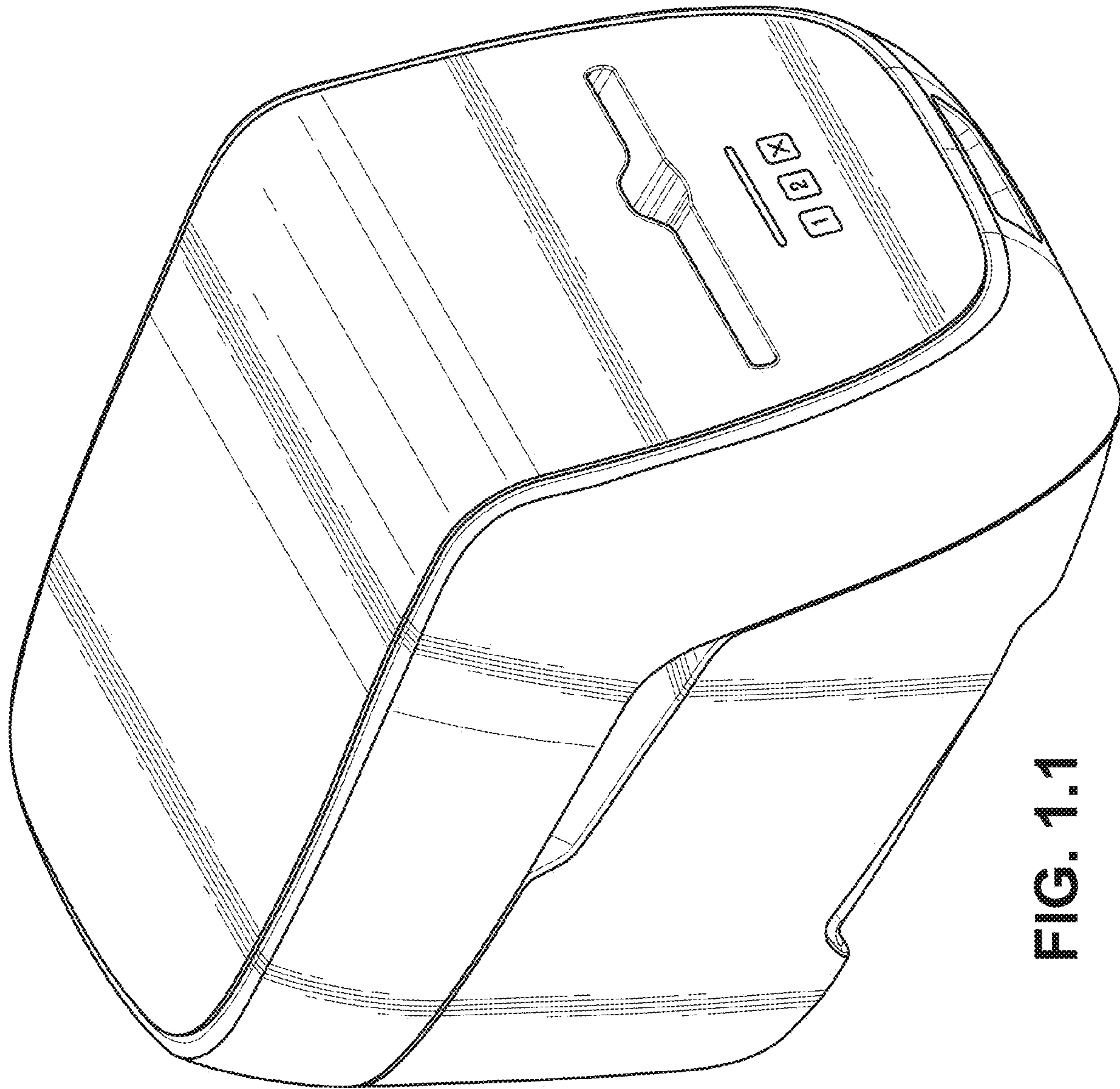


FIG. 1.1

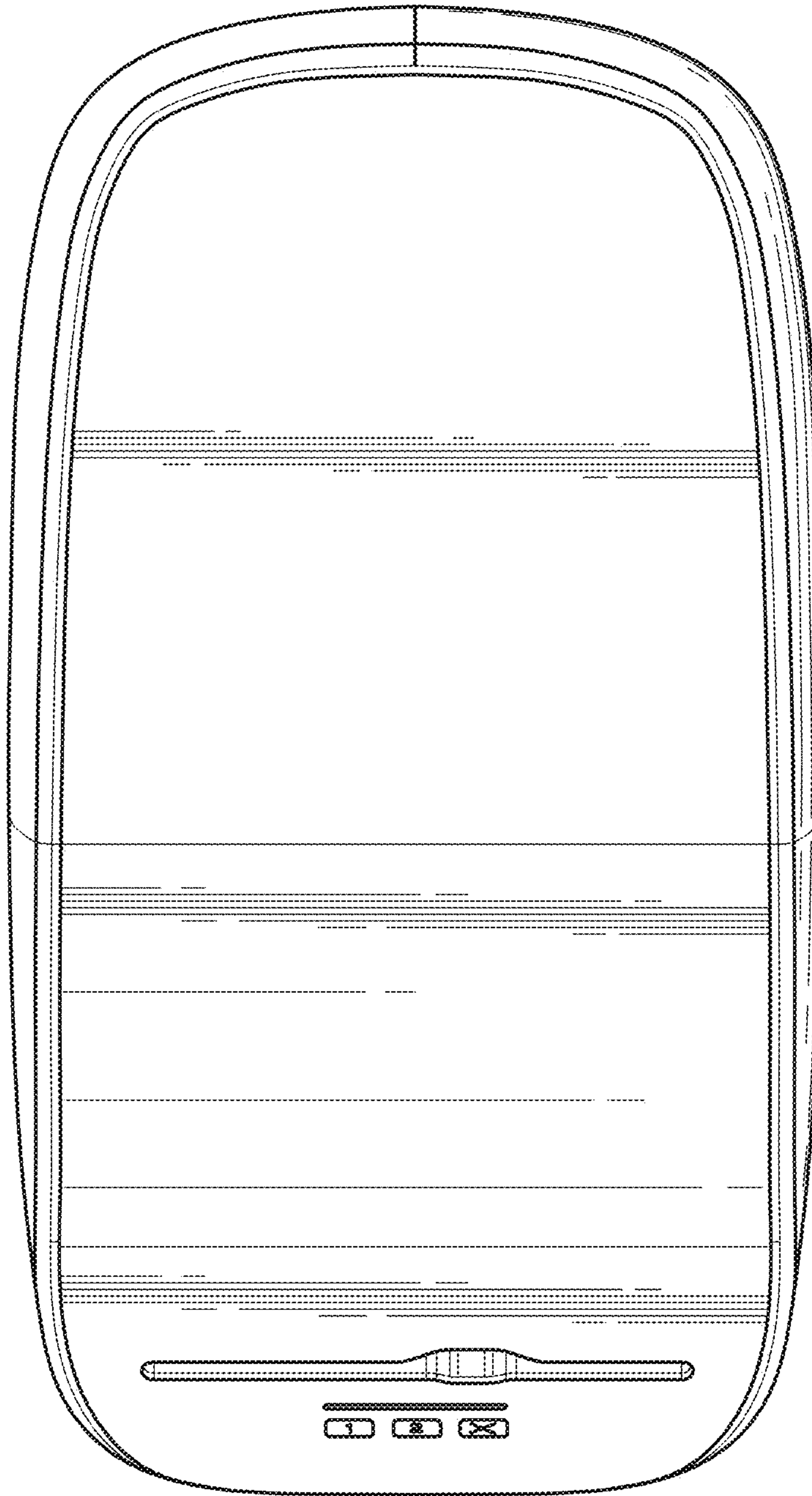


FIG. 1.2

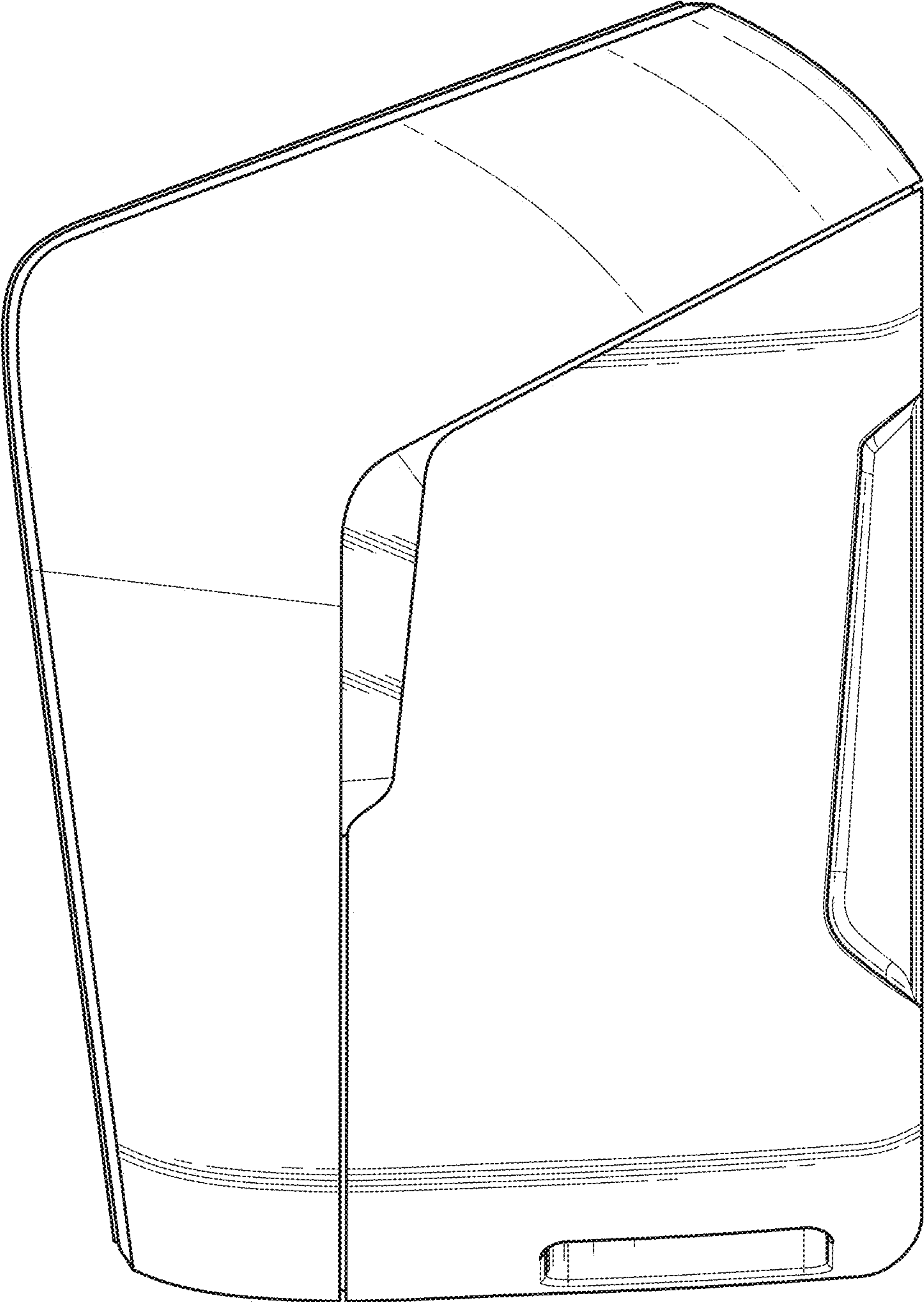


FIG. 1.3

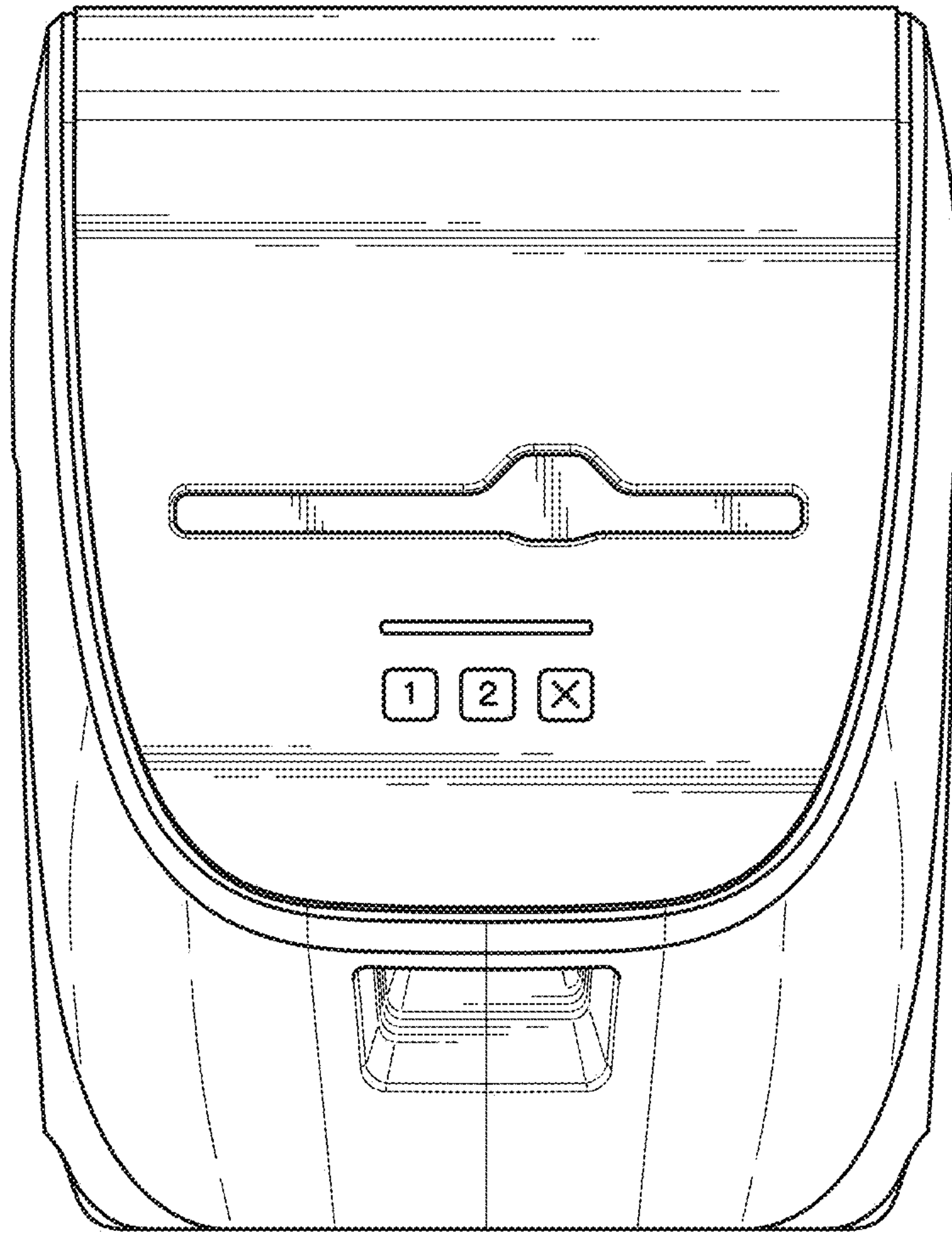


FIG. 1.4

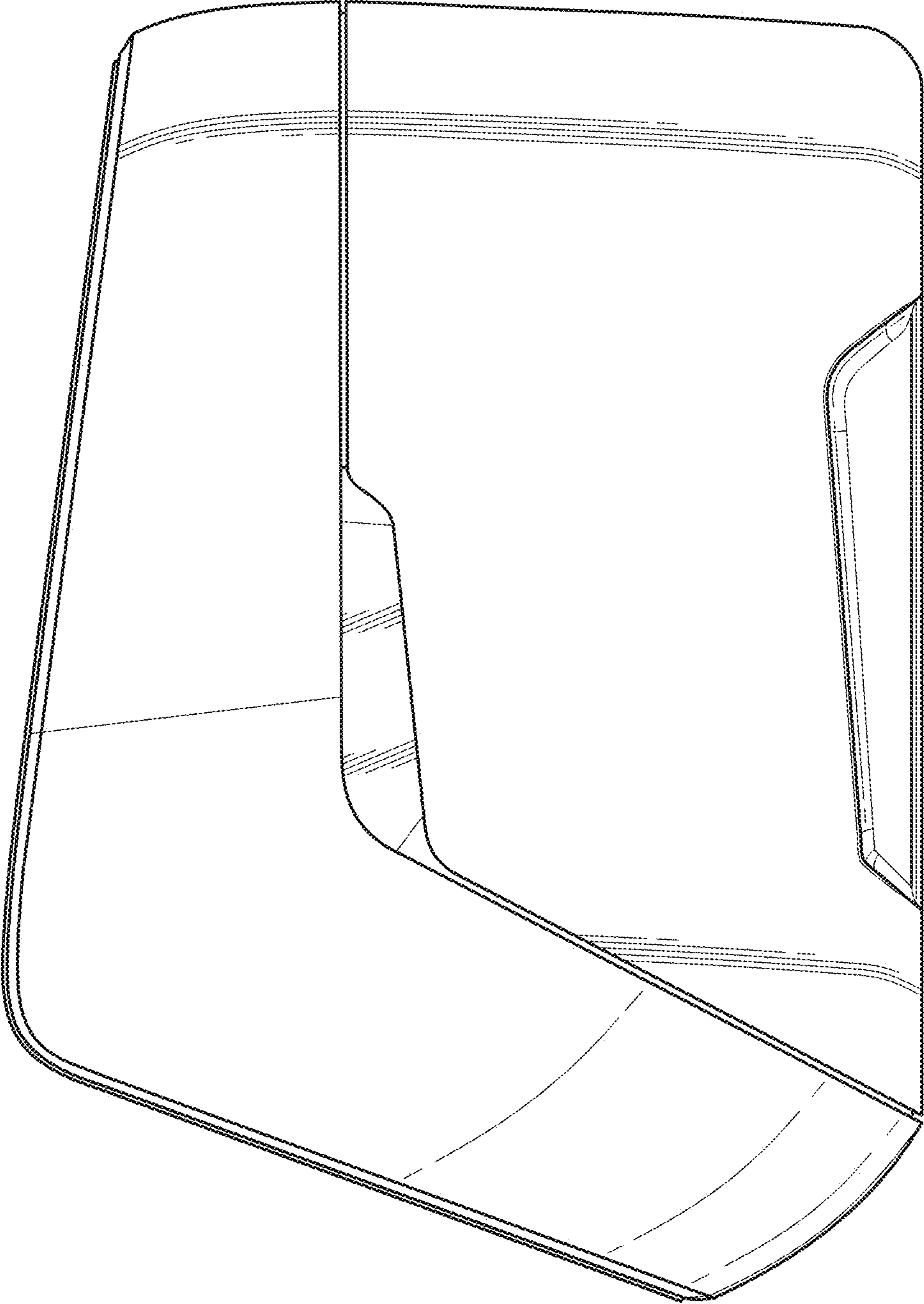


FIG. 1.5

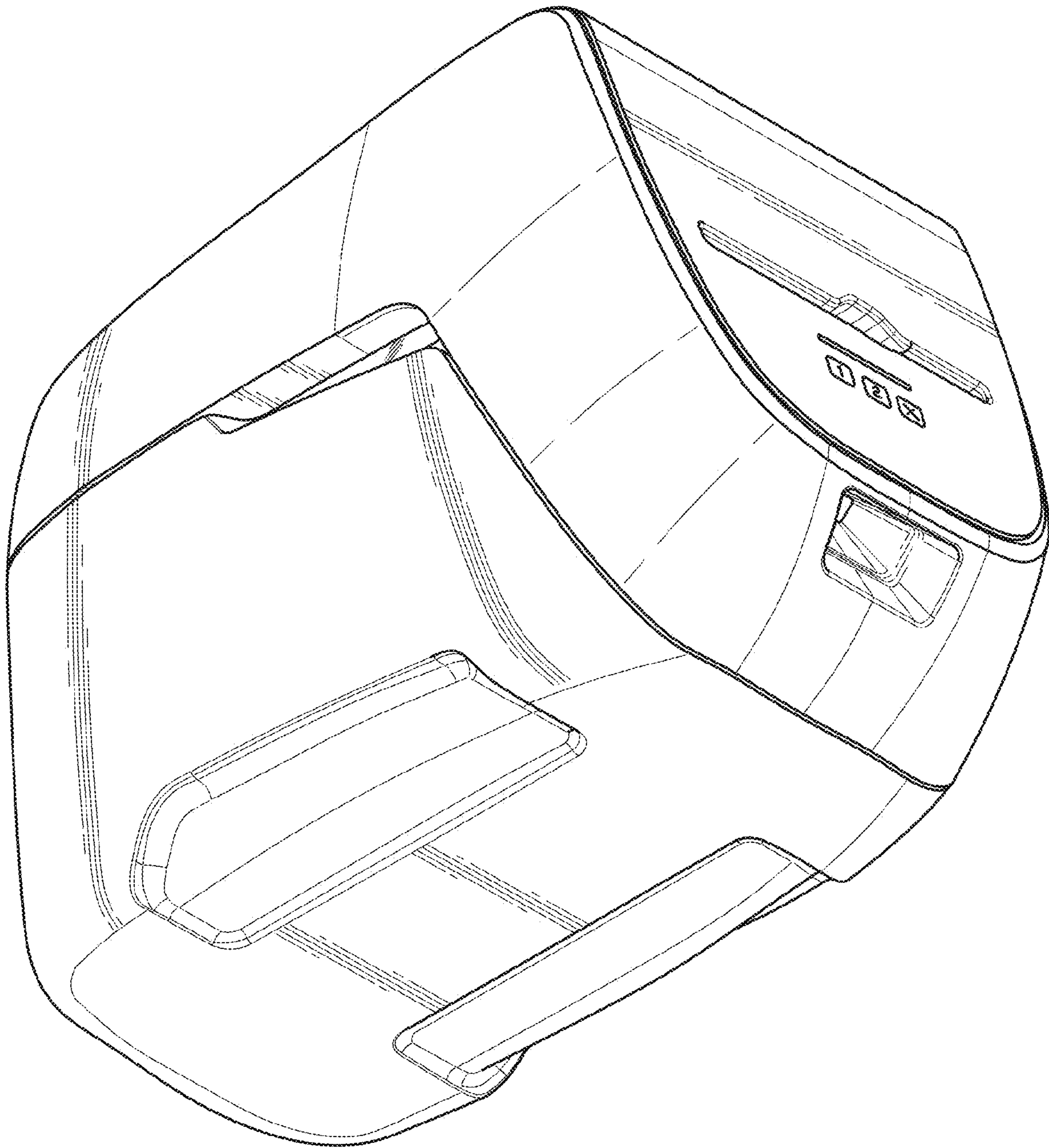


FIG. 1.6

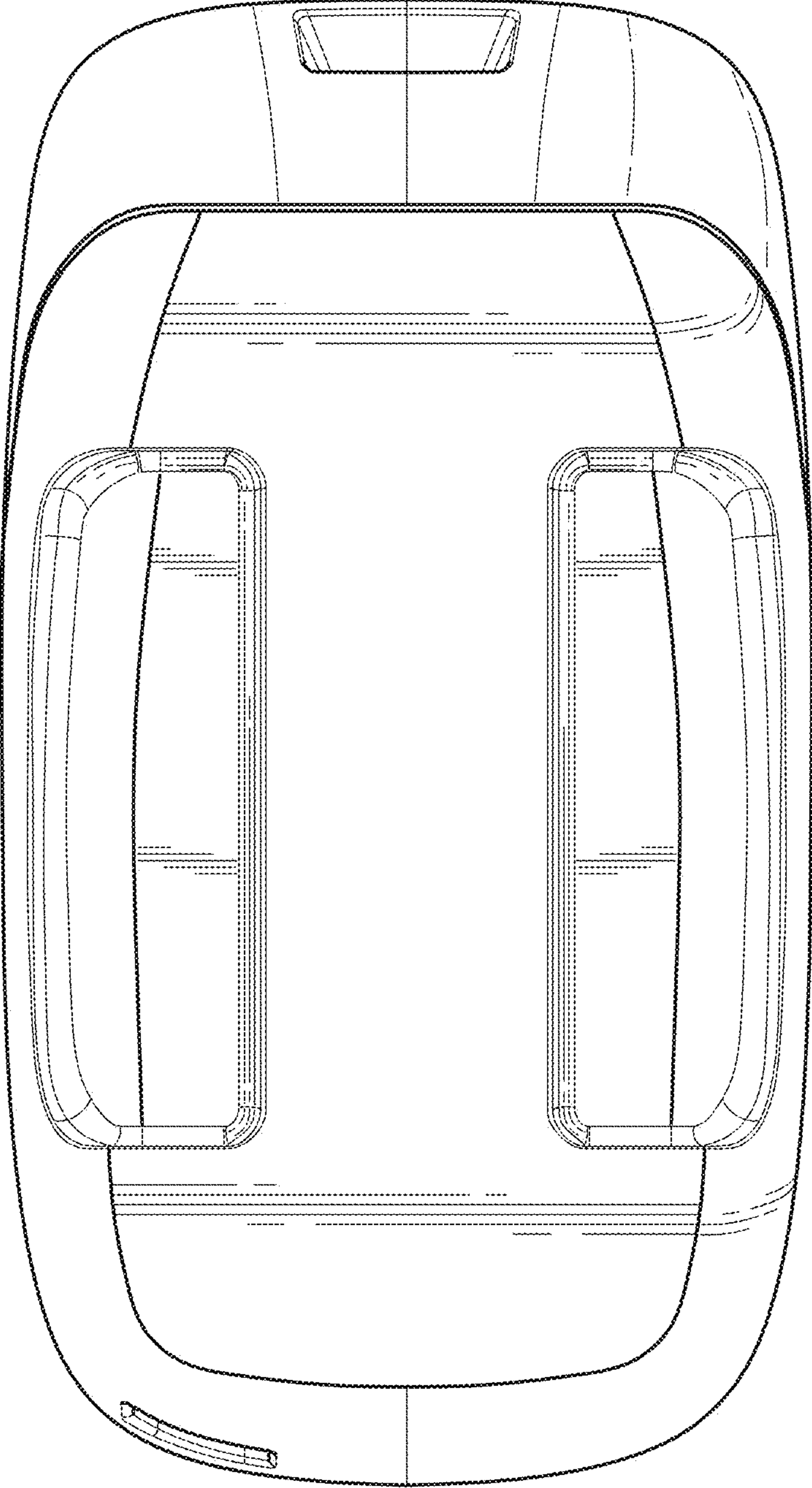


FIG. 1.7