

US00D954288S

(12) **United States Design Patent** (10) **Patent No.:** **US D954,288 S**
Wade (45) **Date of Patent:** **** Jun. 7, 2022**

(54) **SAMPLE PROCESSING INSTRUMENT**

D773,990 S * 12/2016 Murphy D13/107
D804,013 S 11/2017 Carreon et al.
D822,222 S 7/2018 Smith et al.

(71) Applicant: **LUMINEX CORPORATION**, Austin, TX (US)

(Continued)

(72) Inventor: **Lucas Wade**, Round Rock, TX (US)

FOREIGN PATENT DOCUMENTS

(73) Assignee: **LUMINEX CORPORATION**, Austin, TX (US)

CN 2014/30335991 4/2015
GB 9007571047-0002 * 1/2020

(**) Term: **15 Years**

OTHER PUBLICATIONS

(21) Appl. No.: **29/771,348**

“Luminex xMAP INTELLIFLEX”. Found online Jan. 10, 2022 at prnewswire.com. Reference dated Jul. 1, 2020. Retrieved from prnewswire.com/news-releases/luminex-delivers-xmap-intelliflex-systems-to-life-science-research-partners-301086382.html. (Year: 2020).*

(22) Filed: **Feb. 22, 2021**

(Continued)

Related U.S. Application Data

(62) Division of application No. 29/700,323, filed on Aug. 1, 2019, now Pat. No. Des. 914,905.

(51) **LOC (13) Cl.** **24-02**

(52) **U.S. Cl.**
USPC **D24/216**

(58) **Field of Classification Search**
USPC D13/103, 106, 107, 108, 109, 110, 112,
D13/116, 118, 119, 184, 199; D15/199;
D24/107, 158, 160, 216, 232
CPC F02N 11/12; H02J 7/0045; G01N 1/00
See application file for complete search history.

Primary Examiner — Kendra Leslie Hamilton

Assistant Examiner — Amanda Christensen

(74) *Attorney, Agent, or Firm* — Norton Rose Fulbright US LLP

(56) **References Cited**

U.S. PATENT DOCUMENTS

3,341,762 A * 9/1967 Rockoff H02J 7/0034
320/DIG. 15
D565,178 S * 3/2008 Tanaka D24/138
7,546,957 B2 6/2009 Melnik et al.
7,767,439 B2 8/2010 Oh et al.
D694,888 S 12/2013 Chung et al.
D705,944 S * 5/2014 Chang D24/216
D722,960 S * 2/2015 Campbell D13/108
D728,121 S 4/2015 Cook et al.
D728,125 S 4/2015 Trigg et al.
D735,865 S * 8/2015 Nishimura D24/164
D756,913 S 5/2016 Esses

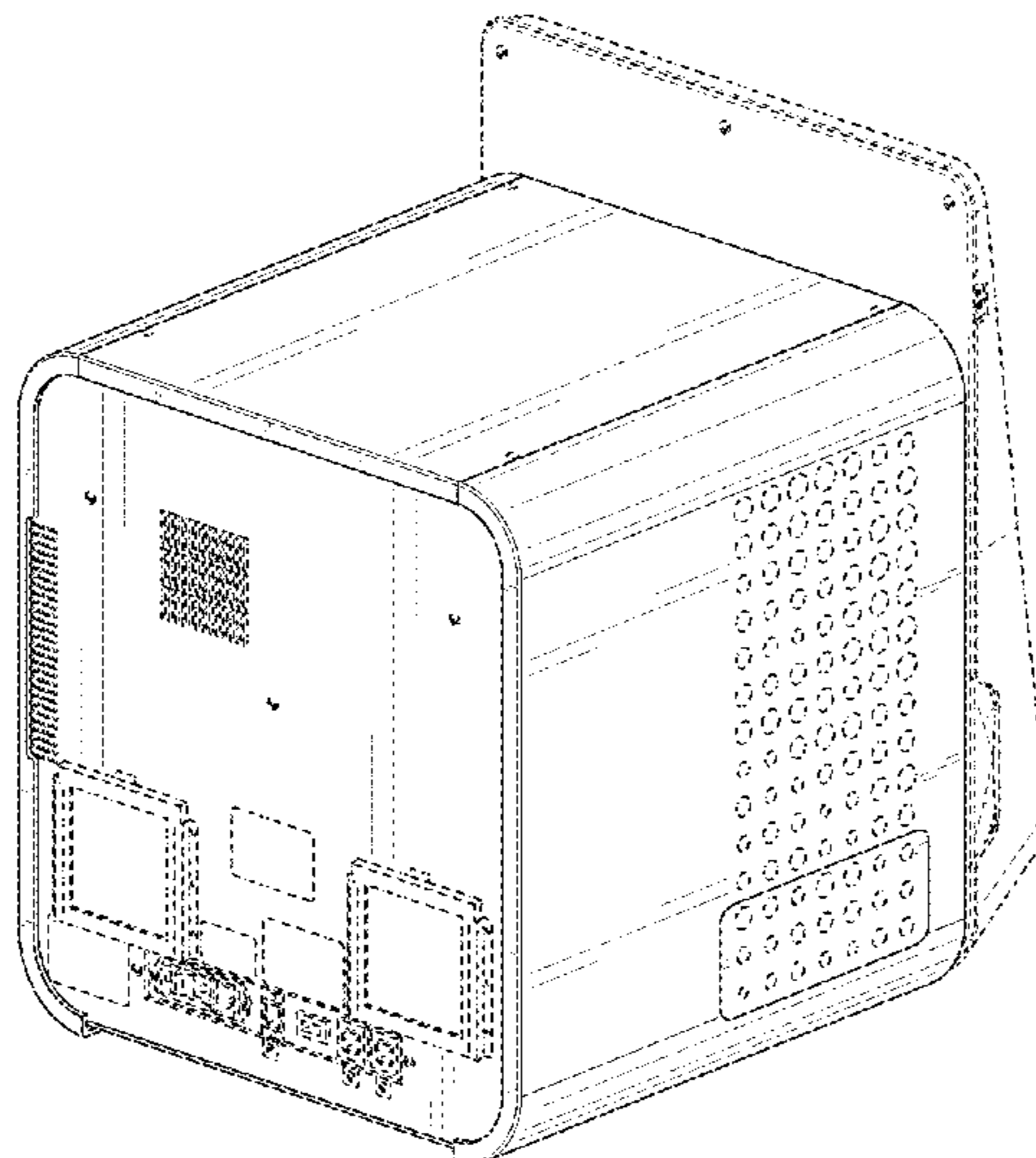
(57) **CLAIM**

The ornamental design for a sample processing instrument, as shown and described.

DESCRIPTION

FIG. 1 is a top, front, left side perspective view of a sample processing instrument showing my new design; FIG. 2 is a top, back, right side perspective view thereof; FIG. 3 is a front elevation view thereof; FIG. 4 is a back elevation view thereof; FIG. 5 is a right side elevation view thereof; FIG. 6 is a left side elevation view thereof; and, FIG. 7 is a top plan view thereof. In the drawings, the broken lines depict portions of the sample processing instrument that form no part of the claimed design.

1 Claim, 7 Drawing Sheets



(56)

References Cited

U.S. PATENT DOCUMENTS

D830,210 S	10/2018	Ihara	
D866,796 S	11/2019	Mellett et al.	
D873,262 S	1/2020	Fernando et al.	
D888,267 S	6/2020	Salomon et al.	
D901,710 S *	11/2020	Tadmor	D24/216
D905,637 S *	12/2020	Gou	D13/110
D911,990 S *	3/2021	Wu	D13/184
D914,905 S *	3/2021	Wade	D24/216
D914,906 S *	3/2021	Klein	D24/216
2015/0143924 A1 *	5/2015	Kang	G01N 35/00029 73/864.91
2016/0290866 A1	10/2016	Kielhorn et al.	
2019/0154678 A1 *	5/2019	Pamula	G01N 33/53

OTHER PUBLICATIONS

“Cepheid Inc. GeneXpert IV System”. Found online Jan. 10, 2022 at researchgate.net. Reference dated May 2017. Retrieved from https://www.researchgate.net/figure/Cepheid-Inc-GeneXpertR-IV-System-GX-4-with-four-independent-modules-for-processing_fig11_318597311. (Year: 2017).*

“QuantStudio 6 Flex”. Found online Jan. 10, 2022 at selectscience.net. Reference dated Aug. 2, 2017. Retrieved from <https://www.selectscience.net/products/quantstudio-6-flex-real-time-pcr-system/?prodID=208080#tab-1>. (Year: 2017).*

Shamir, Nachum, “Investor Presentation Q2 2019” Luminex Corporation, 2019, 28 pages.

“Luminex Verigene”. Found online Oct. 28, 2020 at YouTube.com. Reference dated Mar. 4, 2019. Retrieved from <https://www.youtube.com/watch?v=vpqviKllrPQ&feature=youtu.be>. (Year: 2019).

“QuantumMDx Q-POC”. Found online Oct. 28, 2020 at Twitter.com. Reference dated Dec. 1, 2014. Retrieved from <https://twitter.com/elainewarburton/status/539348080844636160/photo/1>. (Year: 2014).

“Luminex Systems”. Found Online Oct. 28, 2020 at Sec.gov. Reference dated Jan. 2017. Retrieved from <https://www.sec.gov/Archives/edgar/data/1033905/000103390517000007/ipm2017investorpresentation.pdf>. (Year: 2017).

“MeMed POC Platform”. Found online Oct. 28, 2020 at Clinicalomics. Reference dated Feb. 16, 2018. Retrieved from <https://www.clinicalomics.com/topics/translational-research/bacterial-diseases/memed-wins-4-1m-dod-grant-toward-manufacturing-of-poc-platform/>. (Year: 2018).

* cited by examiner

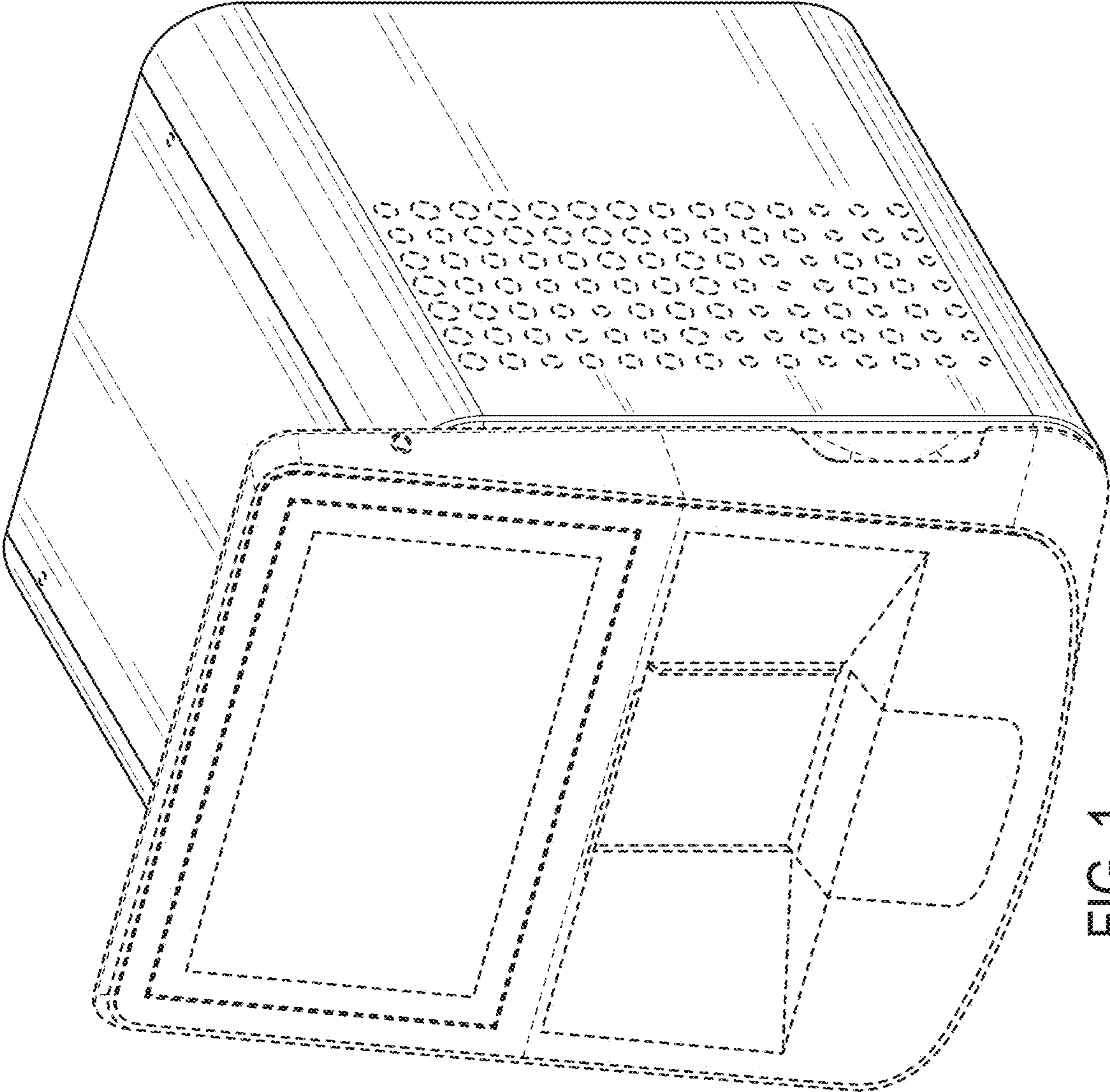


FIG. 1

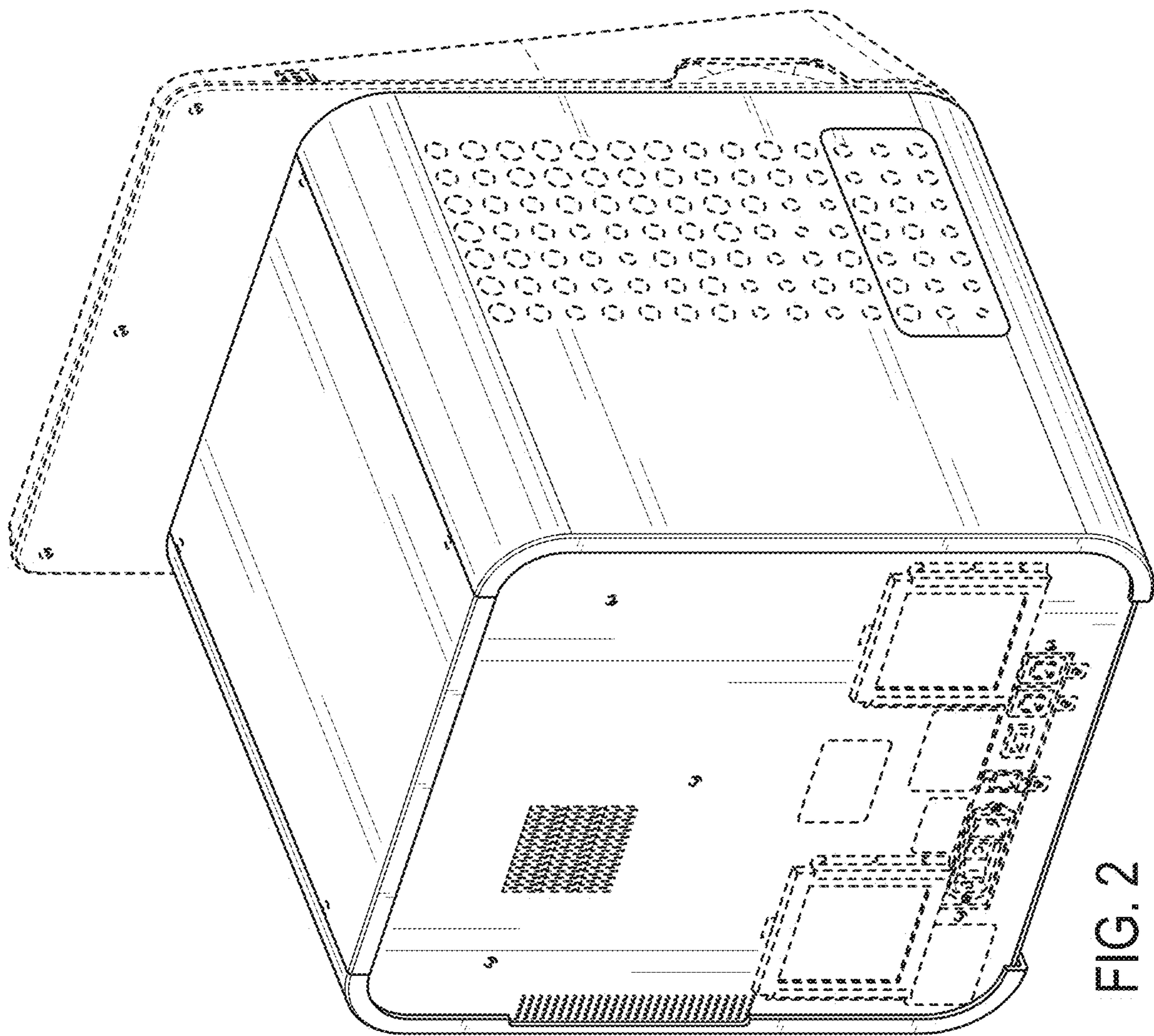


FIG. 2

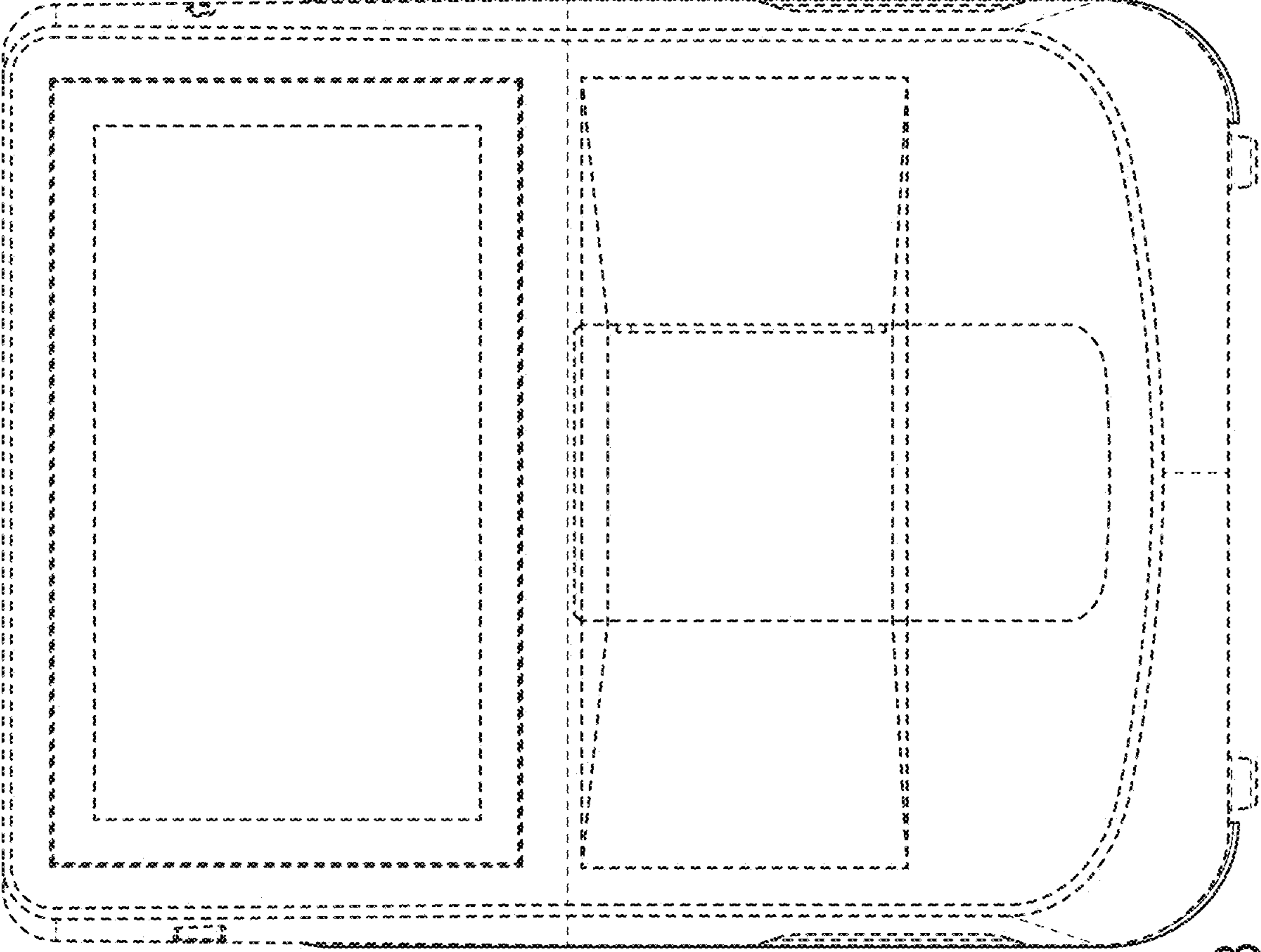


FIG. 3

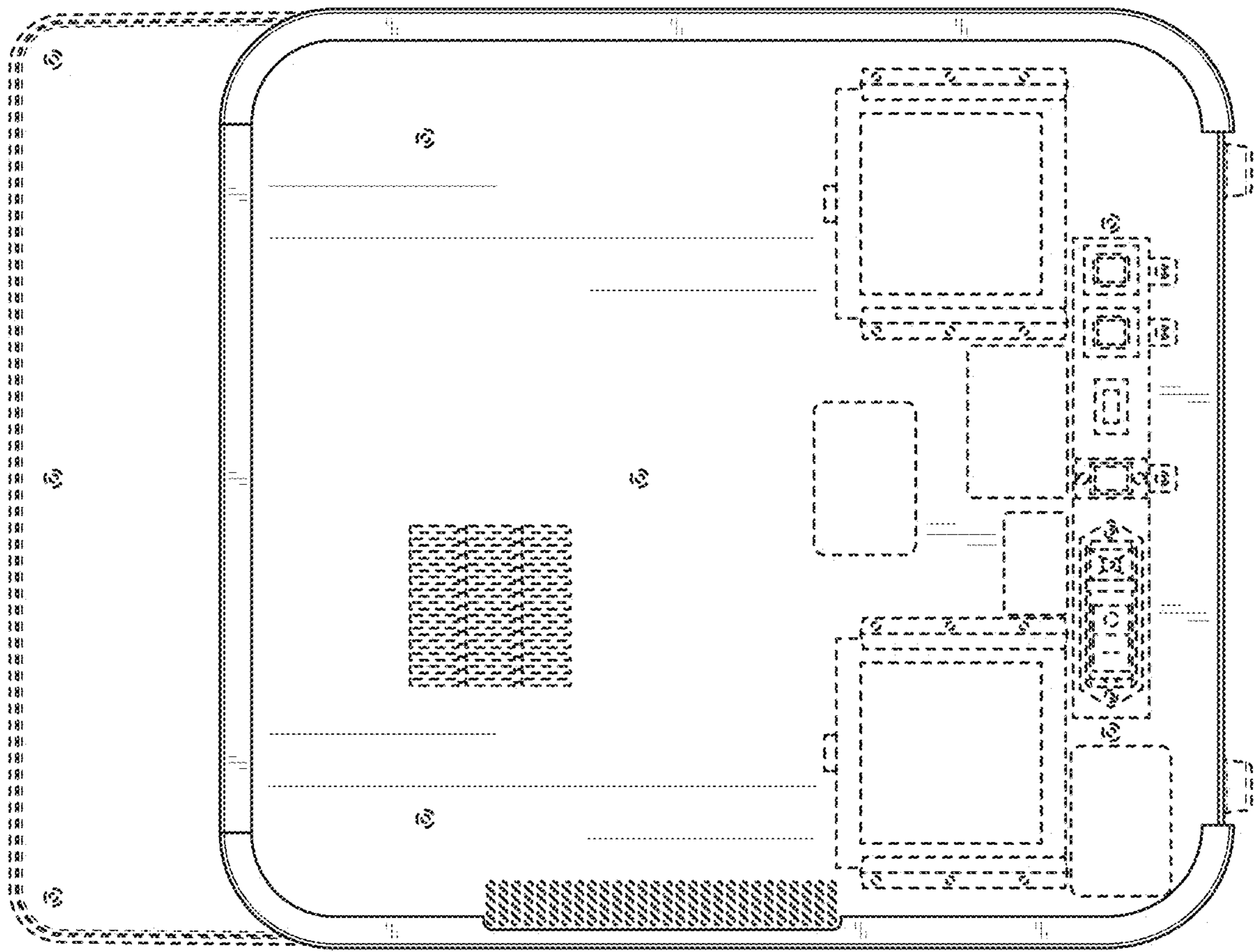


FIG. 4

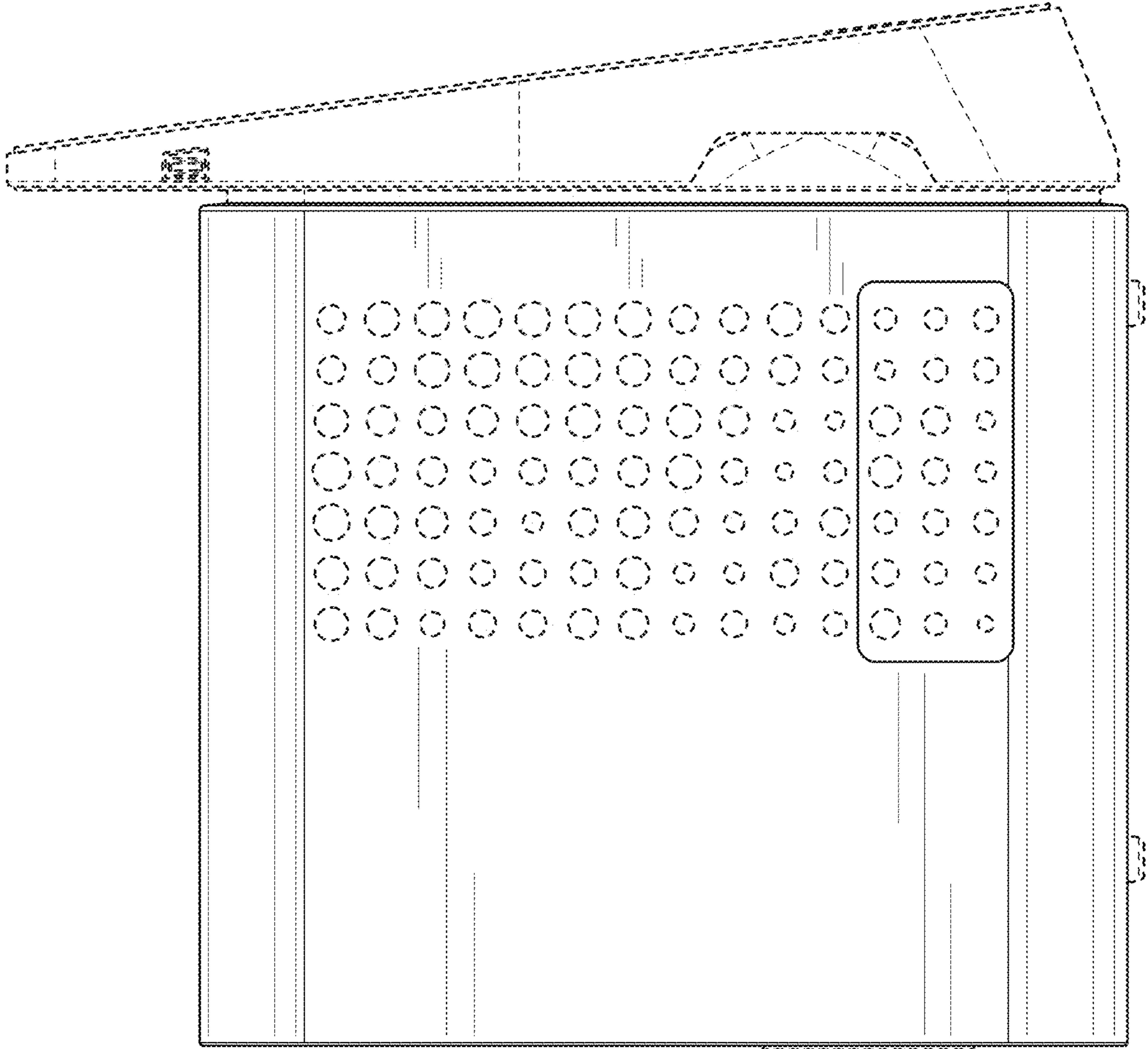


FIG. 5

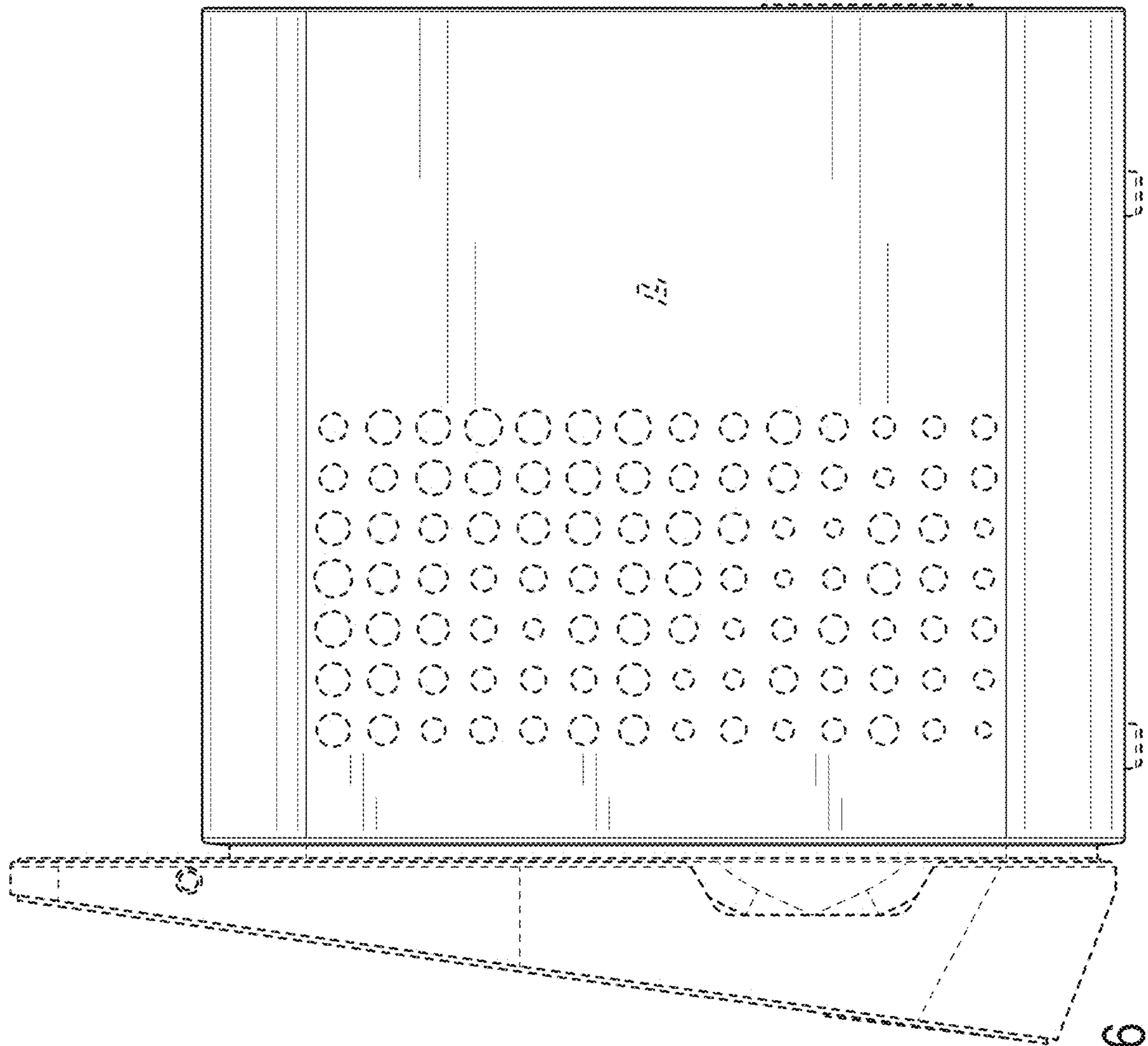


FIG. 6

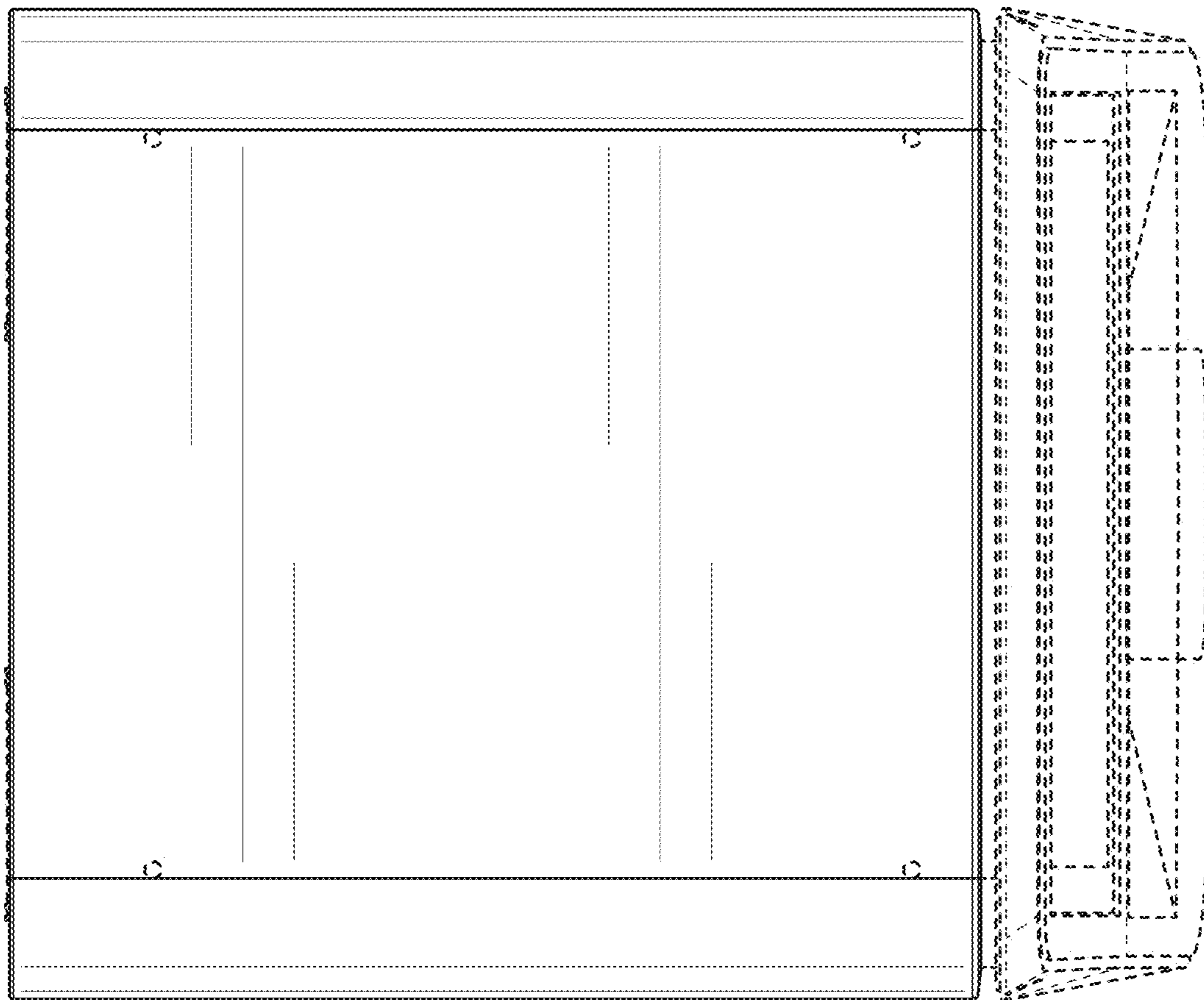


FIG. 7