

US00D954287S

(12) **United States Design Patent**
Fry et al.

(10) **Patent No.:** **US D954,287 S**
(45) **Date of Patent:** **** Jun. 7, 2022**

(54) **SAMPLE COLLECTION DEVICE**

- (71) Applicant: **Ellume Limited**, East Brisbane (AU)
- (72) Inventors: **Scott Robert Fry**, East Brisbane (AU);
Andrea Ranzoni, East Brisbane (AU);
Sean Andrew Parsons, East Brisbane (AU);
Mark Gilroy, Bardon (AU)
- (73) Assignee: **Ellume Limited**
- (**) Term: **15 Years**
- (21) Appl. No.: **29/746,766**
- (22) Filed: **Aug. 17, 2020**

Related U.S. Application Data

- (63) Continuation of application No. 16/625,643, filed as application No. PCT/AU2018/050720 on Jul. 12, 2018.
- (51) **LOC (13) Cl.** **24-01**
- (52) **U.S. Cl.**
USPC **D24/216; D24/223**
- (58) **Field of Classification Search**
USPC D24/216, 219, 223–227, 231, 232, 233,
D24/234, 119, 121, 133; D10/81;
D9/503, 548, 549

(Continued)

(56) **References Cited**

U.S. PATENT DOCUMENTS

- D256,053 S * 7/1980 Steigerwald D24/224
- 5,107,861 A 4/1992 Narboni

(Continued)

FOREIGN PATENT DOCUMENTS

- EP 1366715 A1 12/2003
- EP 1346692 6/2006

(Continued)

OTHER PUBLICATIONS

Rob Stein. FDA Authorizes Coronavirus Test You Can Take At Home Without Prescription : Shots —Health News : NPR. Published on Dec. 15, 2020. Retrieved from internet at <https://www.npr.org/sections/health-shots/2020/12/15/946692950/fda-authorizes-first-home-coronavirus-test-that-doesnt-require-a-prescription>.*

(Continued)

Primary Examiner — Anhdao Doan

(74) *Attorney, Agent, or Firm* — Knobbe Martens Olsen & Bear, LLP

(57) **CLAIM**

The ornamental design for a sample collection device, as shown and described.

DESCRIPTION

FIG. 1 illustrates a front, right, top perspective view of the sample collection device embodying the new design in a closed condition;
 FIG. 2 illustrates a front, right, top perspective view thereof in an open condition;
 FIG. 3 illustrates a front side elevational view thereof in a closed condition;
 FIG. 4 illustrates a front side elevational view thereof in an open condition;
 FIG. 5 illustrates a right side elevational view thereof in a closed condition;
 FIG. 6 illustrates a right side elevational view thereof in an open condition;
 FIG. 7 illustrates a left side elevational view thereof in a closed condition;
 FIG. 8 illustrates a left side elevational view thereof in an open condition;
 FIG. 9 illustrates a back side elevational view thereof in a closed condition;
 FIG. 10 illustrates a back side elevational view thereof in an open condition;
 FIG. 11 illustrates a bottom plan view thereof in a closed condition;
 FIG. 12 illustrates a bottom plan view thereof in an open condition;

(Continued)

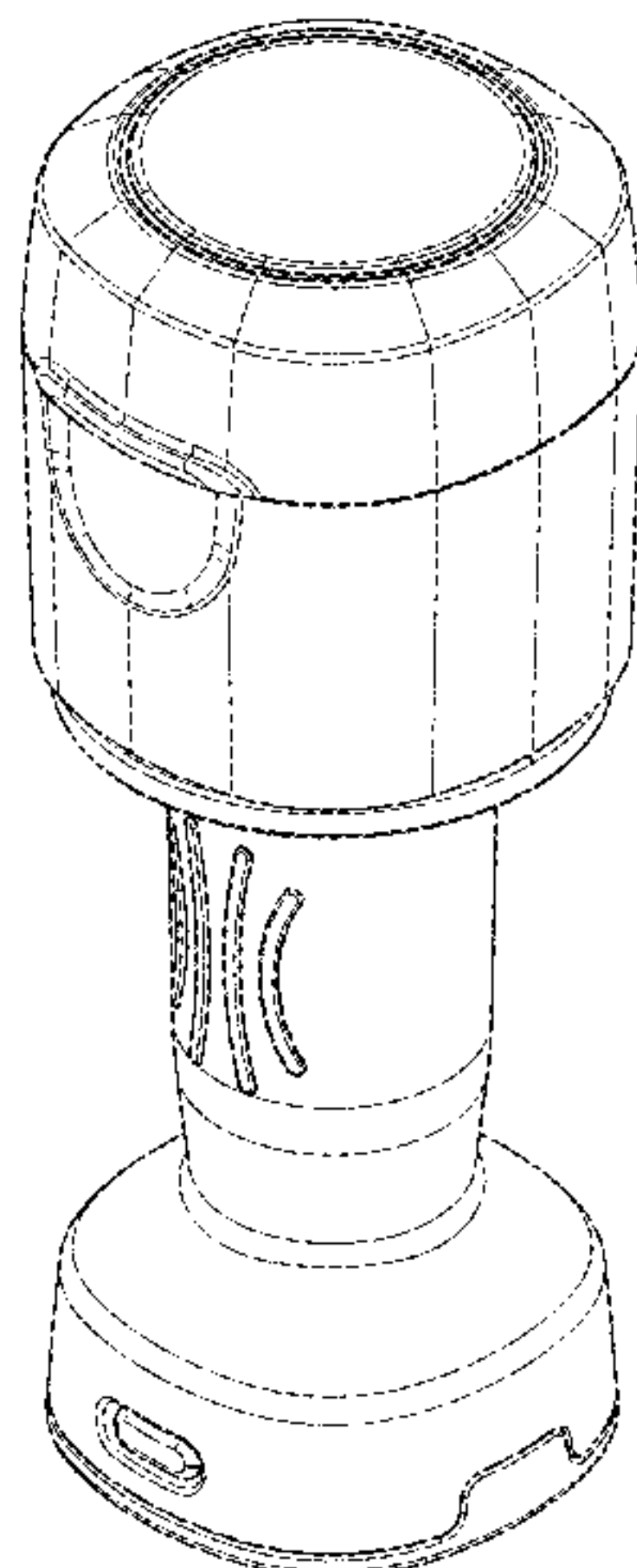


FIG. 13 illustrates a top plan view thereof in a closed condition; and,

FIG. 14 illustrates a top plan view thereof in an open condition.

The broken lines show portions of the sample collection device that form no part of the claimed design.

1 Claim, 12 Drawing Sheets

(58) **Field of Classification Search**

CPC A61B 5/15; A61B 10/007; A61B 10/0051;
A61B 10/0058; A61B 10/0096; A61B
10/02; A61B 2010/0077; B01L 2300/014;
B01L 2300/042

See application file for complete search history.

(56) **References Cited**

U.S. PATENT DOCUMENTS

5,147,288 A 9/1992 Schiavo
5,238,649 A 8/1993 Nason
5,266,266 A 11/1993 Nason
5,603,436 A * 2/1997 Leoncavallo B65D 47/0885
222/212
7,114,403 B2 10/2006 Wu et al.

D649,055 S * 11/2011 Fracasso D9/549
D697,225 S * 1/2014 Maas D24/224
D748,813 S * 2/2016 Ishiguro D24/224
D778,460 S * 2/2017 Marechal D24/224
D888,272 S * 6/2020 Pirod D24/224
D910,200 S * 2/2021 Reber D24/224
D920,535 S * 5/2021 Crabtree D24/224
2001/0008614 A1 7/2001 Aronowitz
2004/0237674 A1 12/2004 Wu et al.
2005/0106753 A1 5/2005 Wu et al.
2006/0115385 A1 * 6/2006 Jon Meyer B01L 3/5635
422/547
2007/0255175 A1 11/2007 Sangha
2011/0066172 A1 3/2011 Silverstein
2012/0220042 A1 8/2012 Sangha
2019/0195749 A1 * 6/2019 Baba B01L 3/565
2020/0155127 A1 * 5/2020 Fry A61B 10/0096

FOREIGN PATENT DOCUMENTS

WO WO 1997/012681 4/1997
WO WO 2009/014787 8/2009

OTHER PUBLICATIONS

International Search Report issued in application No. PCT/AU2018/
050720, dated Oct. 12, 2018.

* cited by examiner

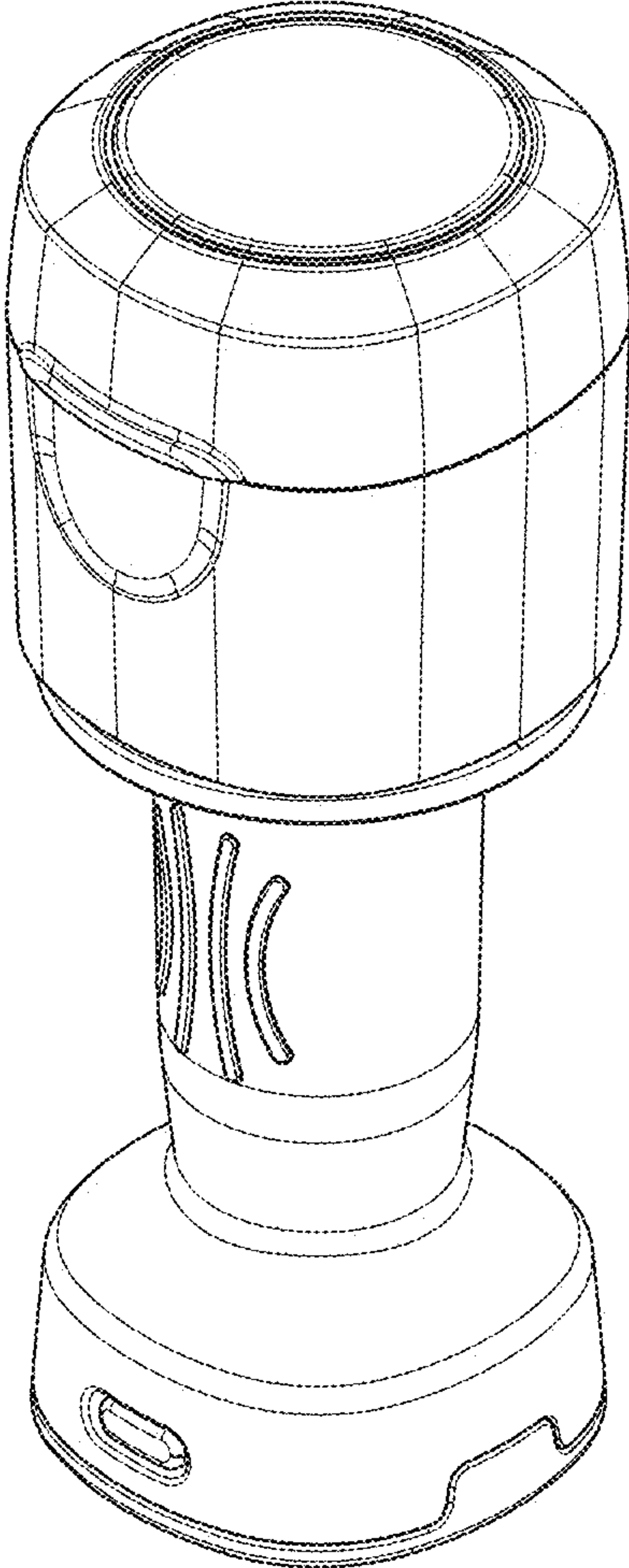


Figure 1

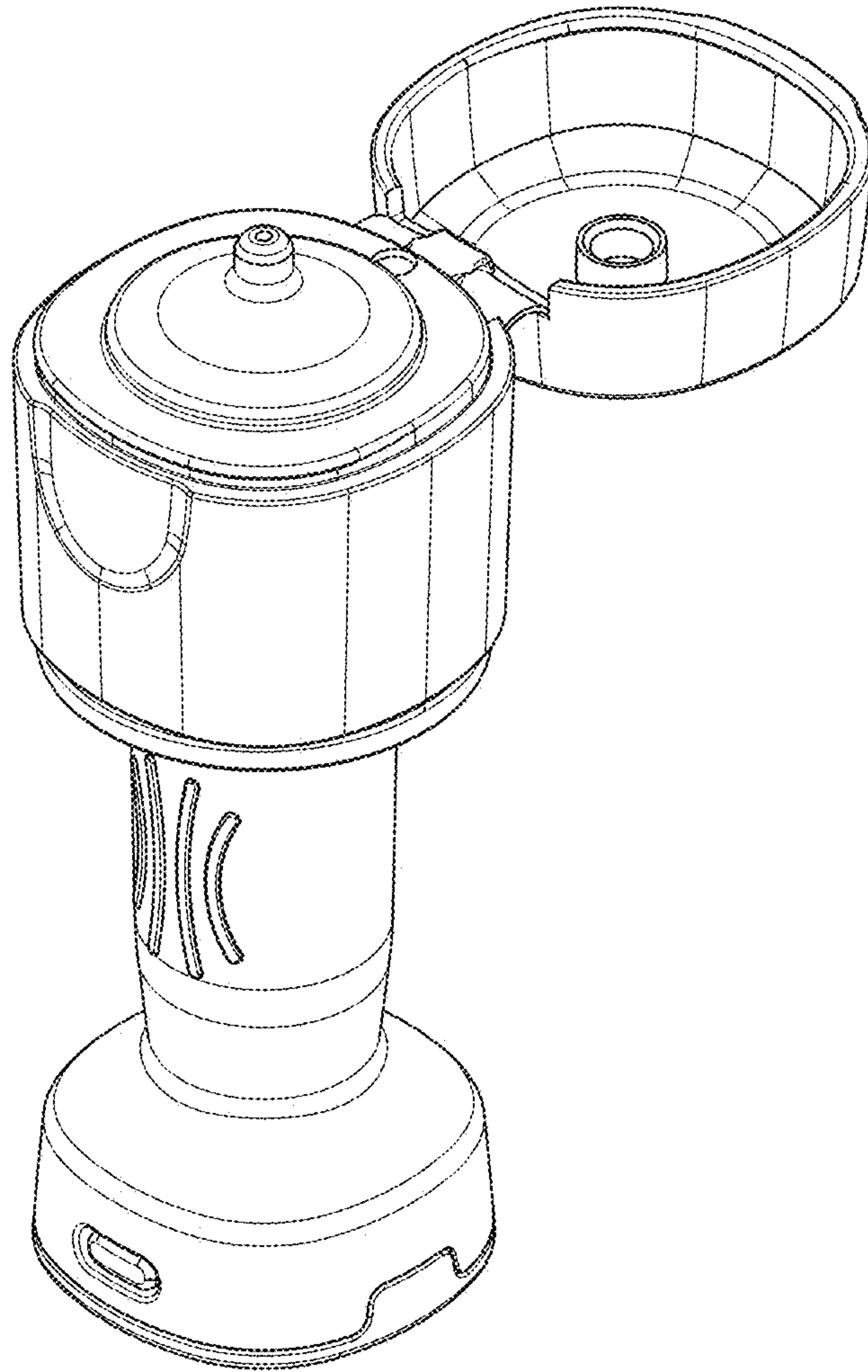


Figure 2

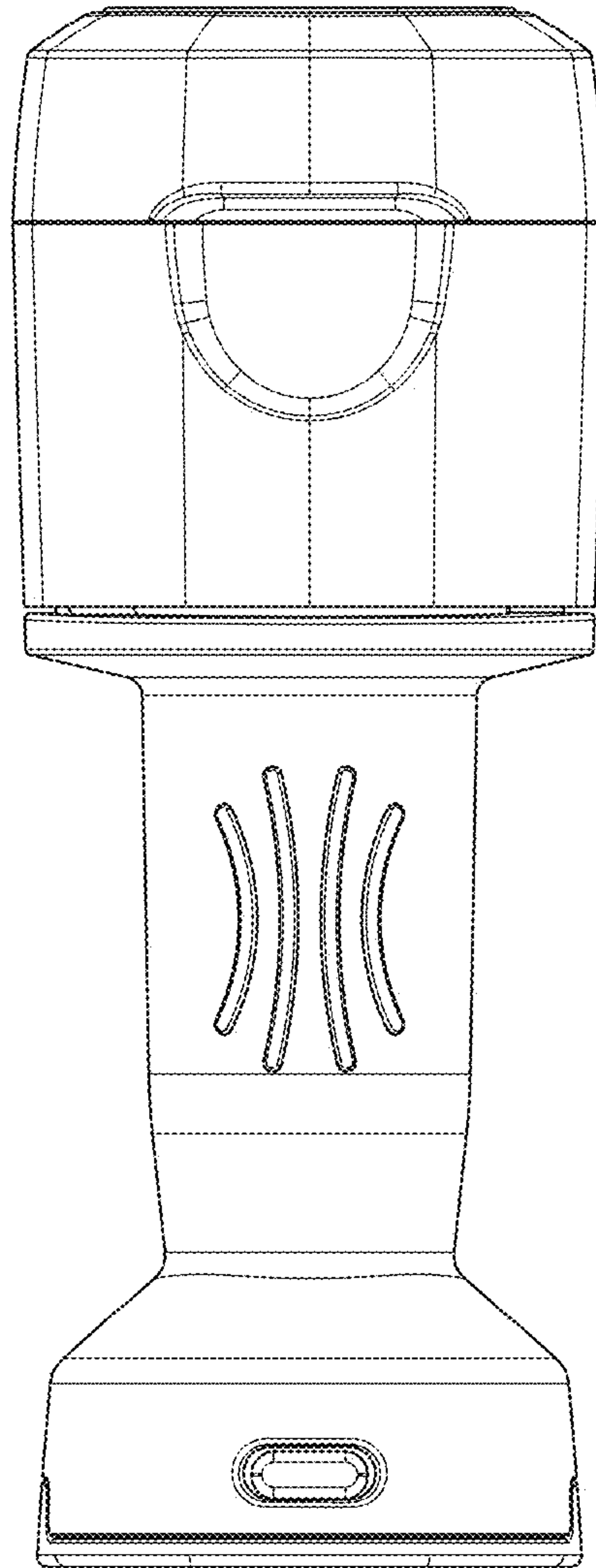


Figure 3

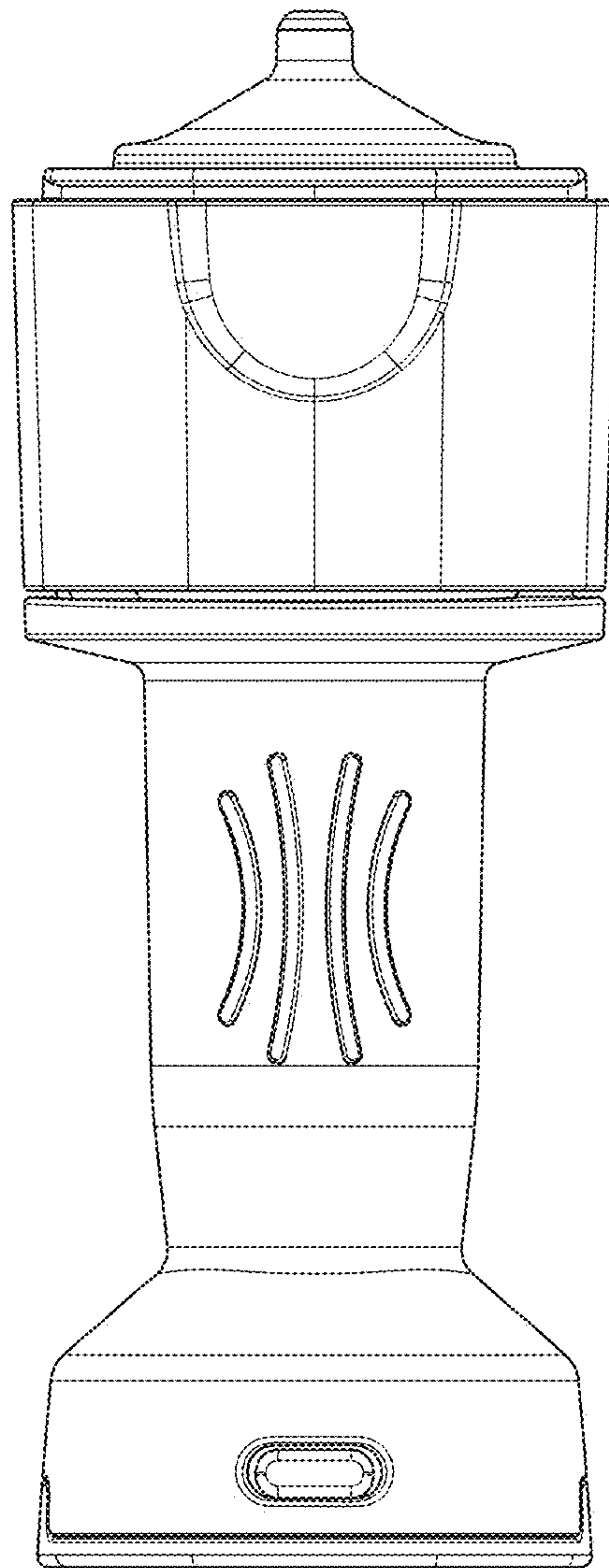


Figure 4

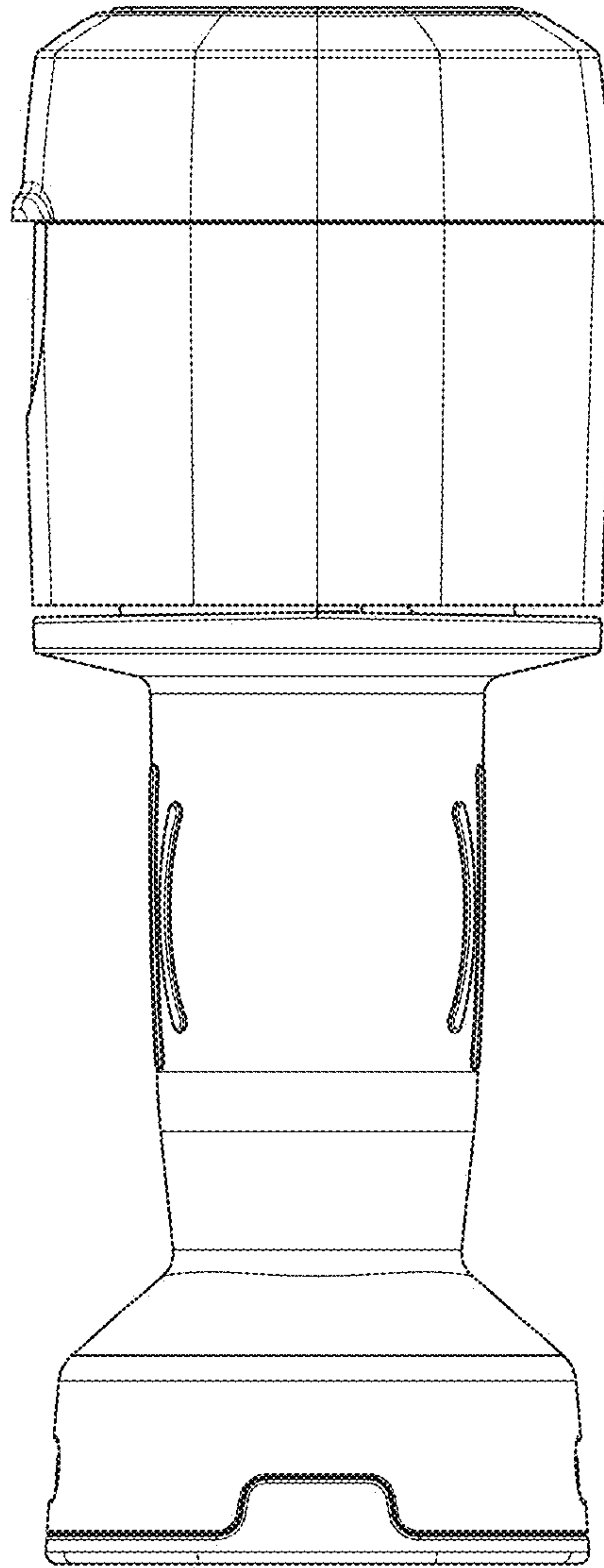


Figure 5

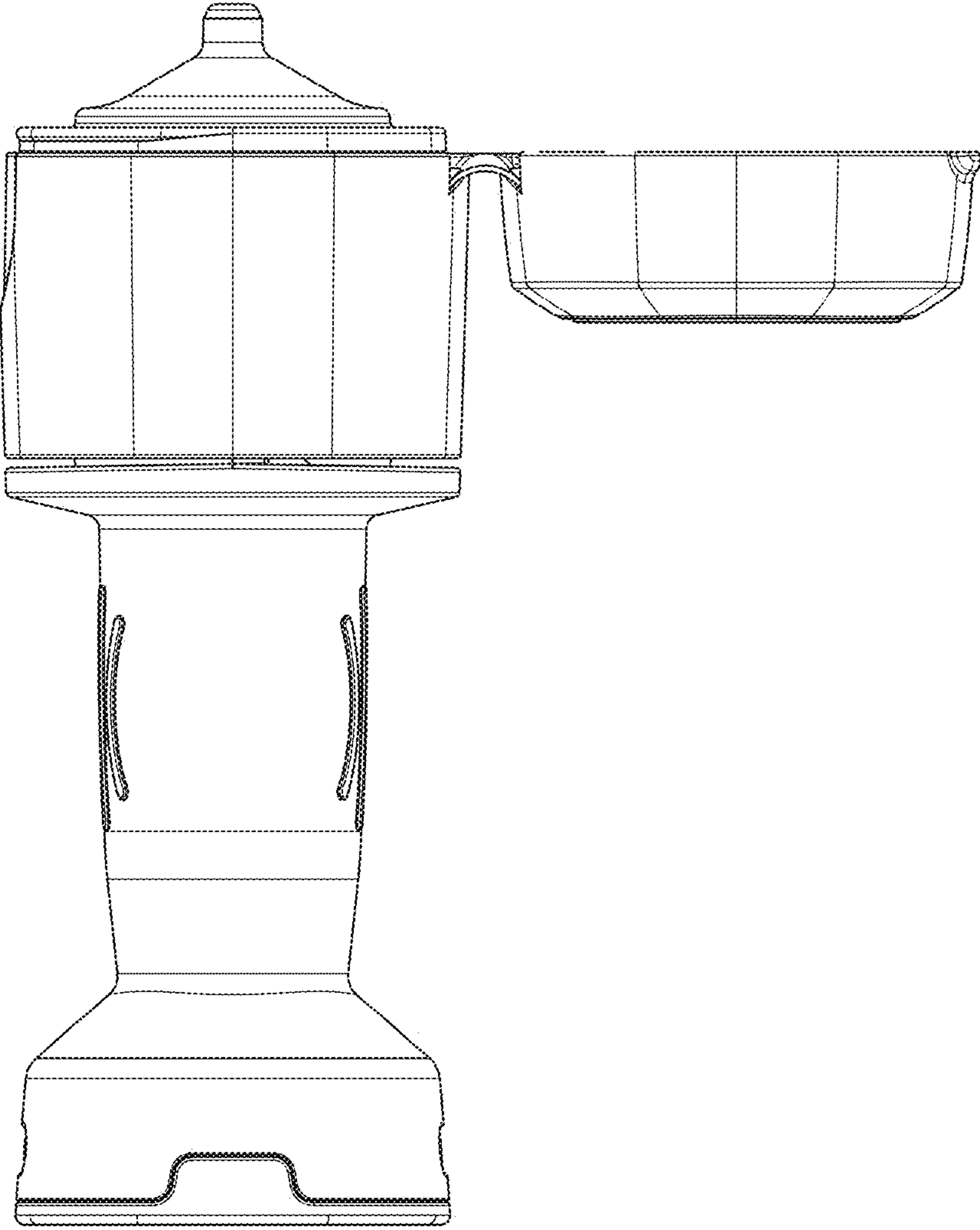


Figure 6

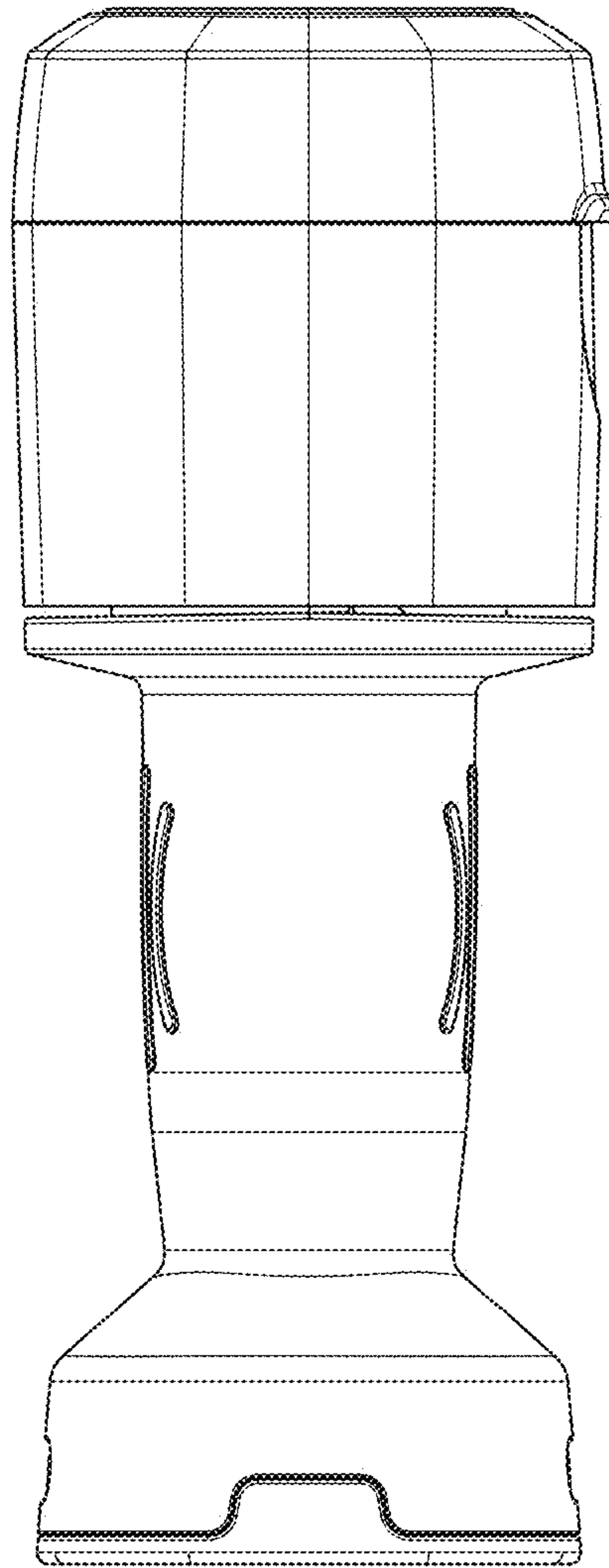


Figure 7

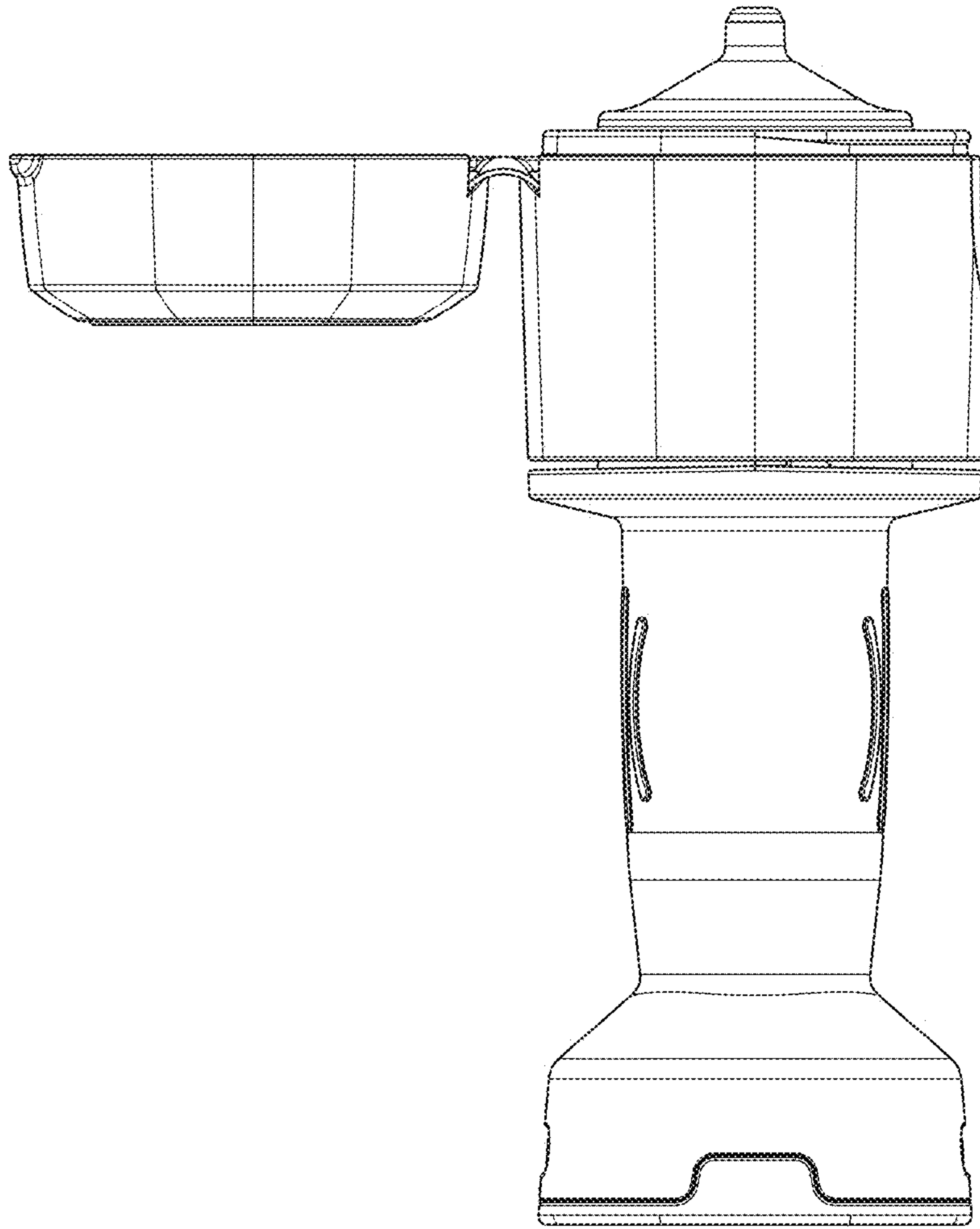


Figure 8

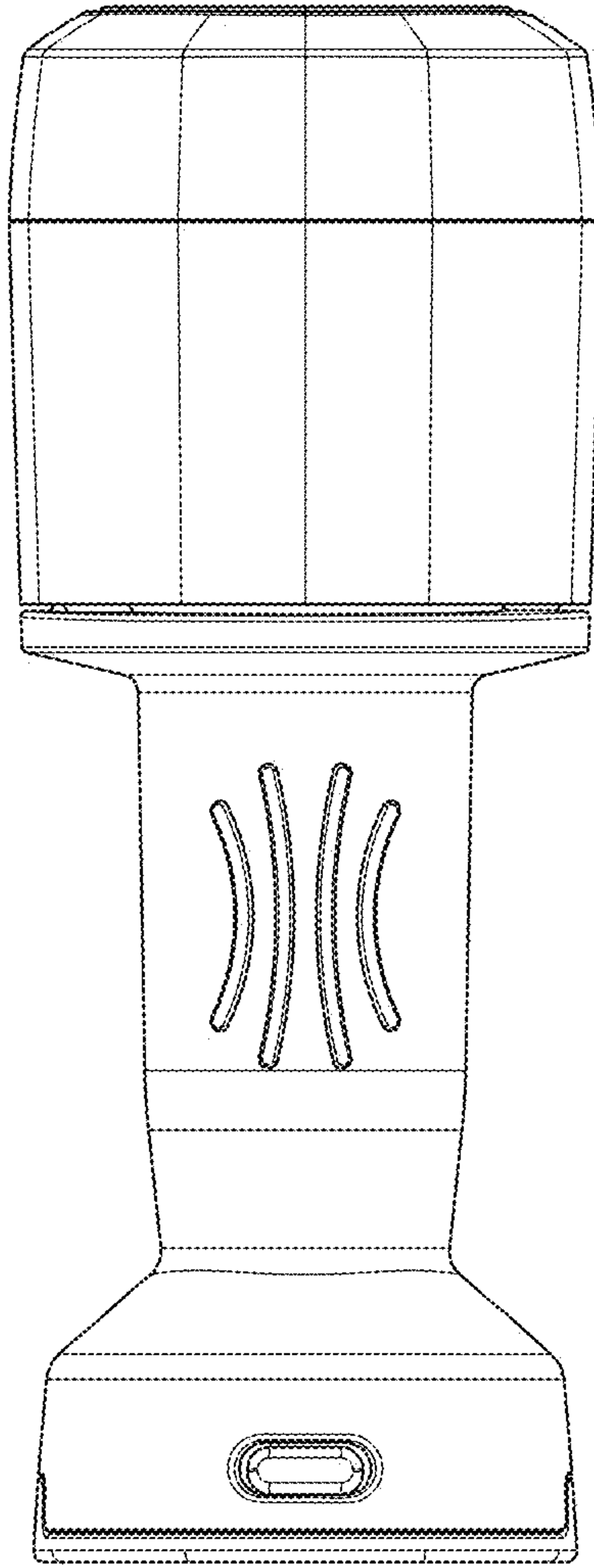


Figure 9

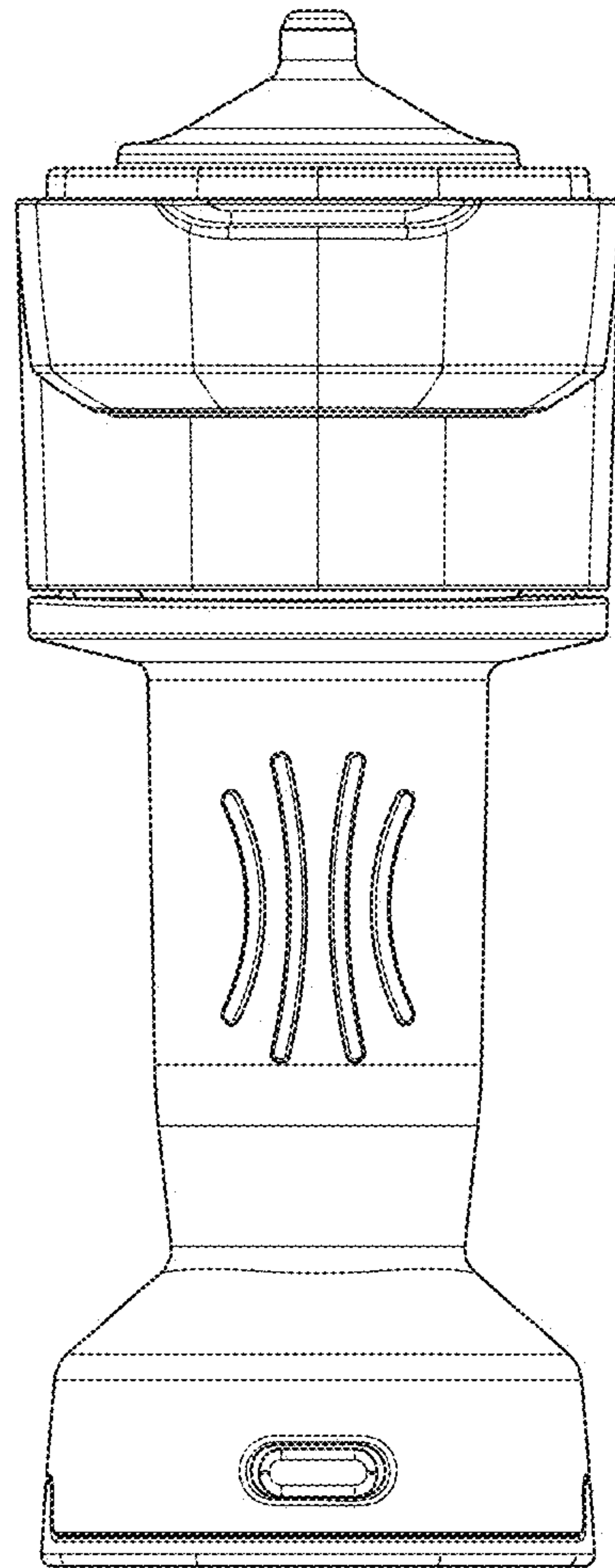


Figure 10

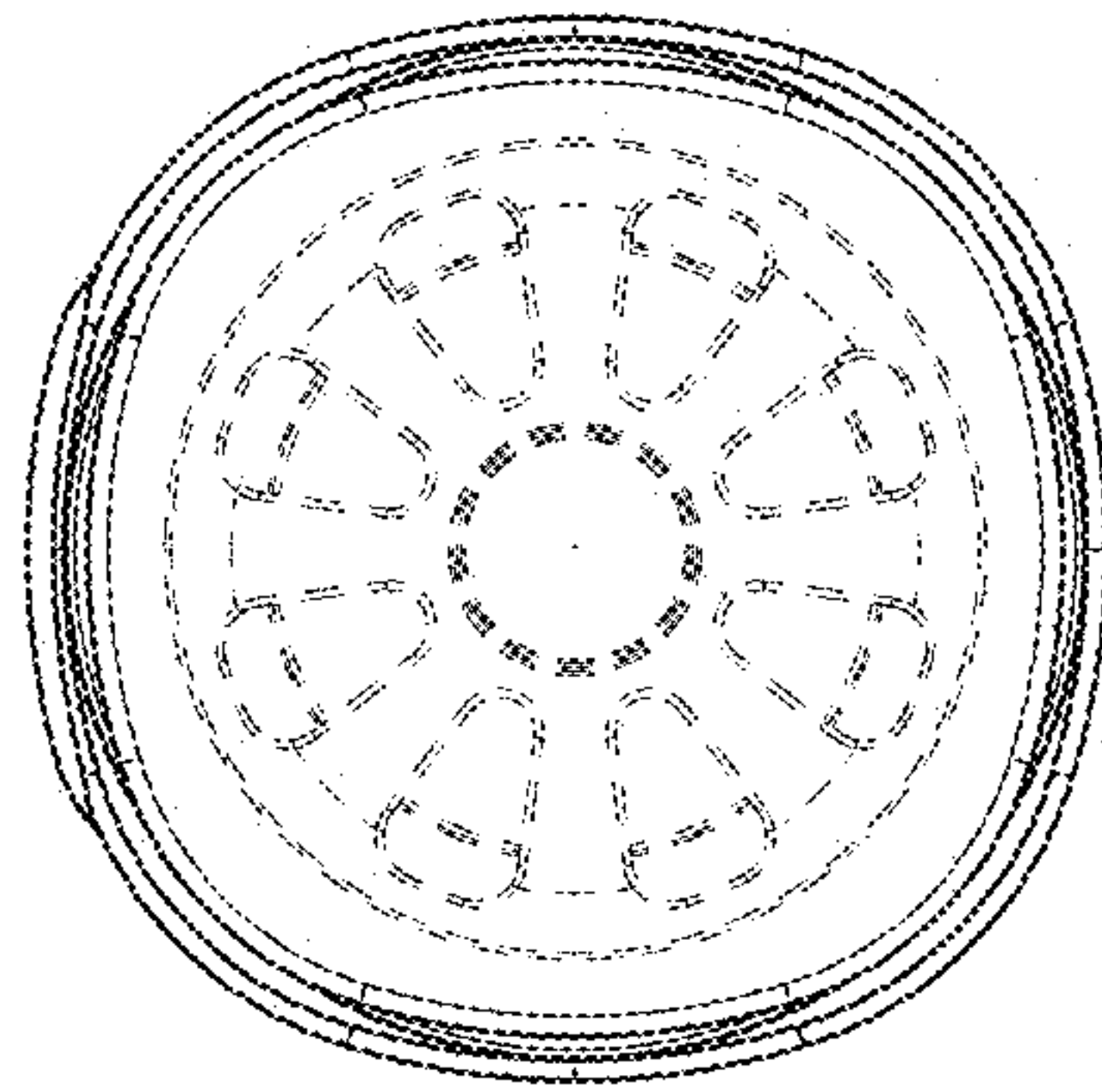


Figure 11

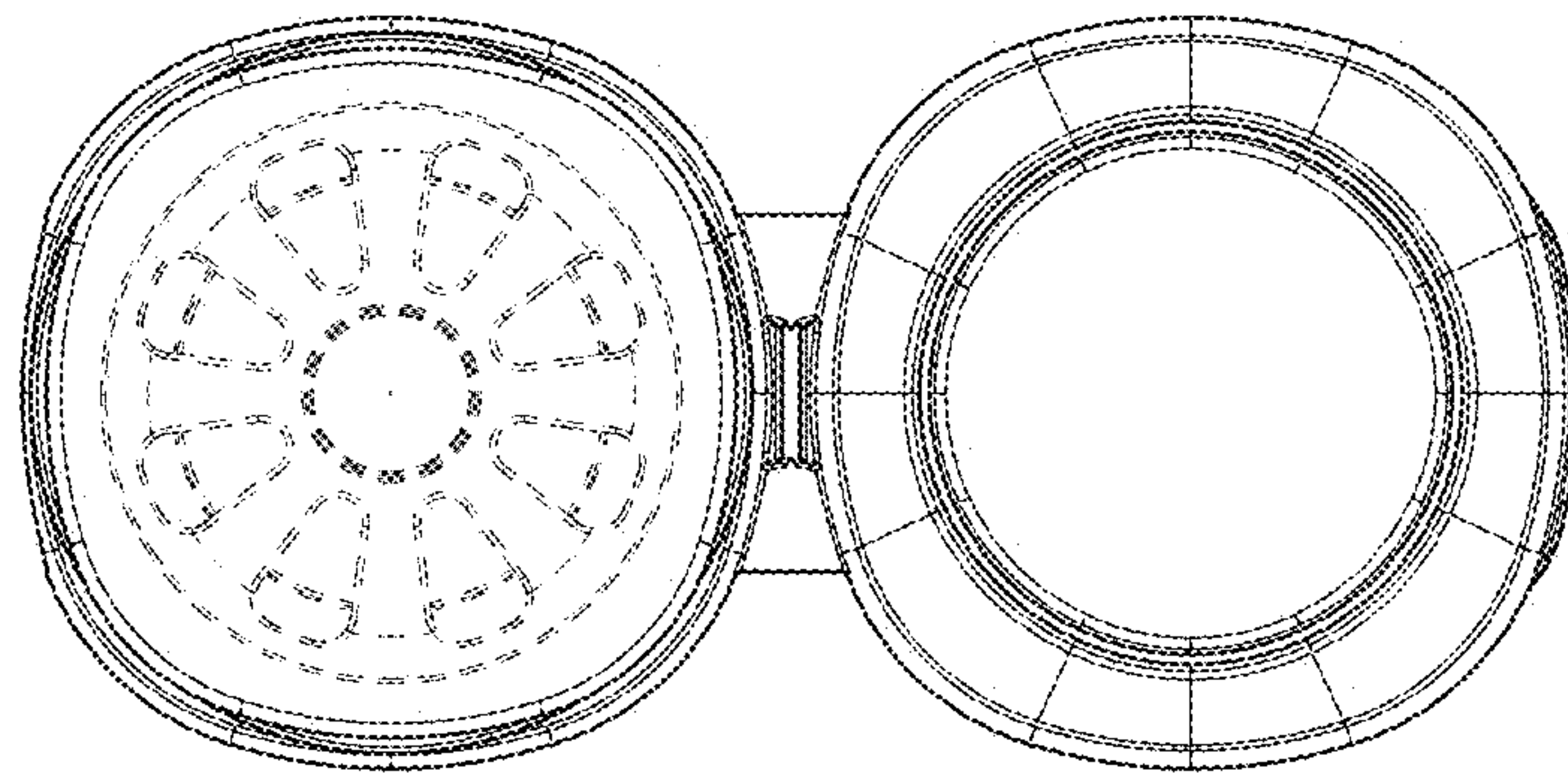


Figure 12

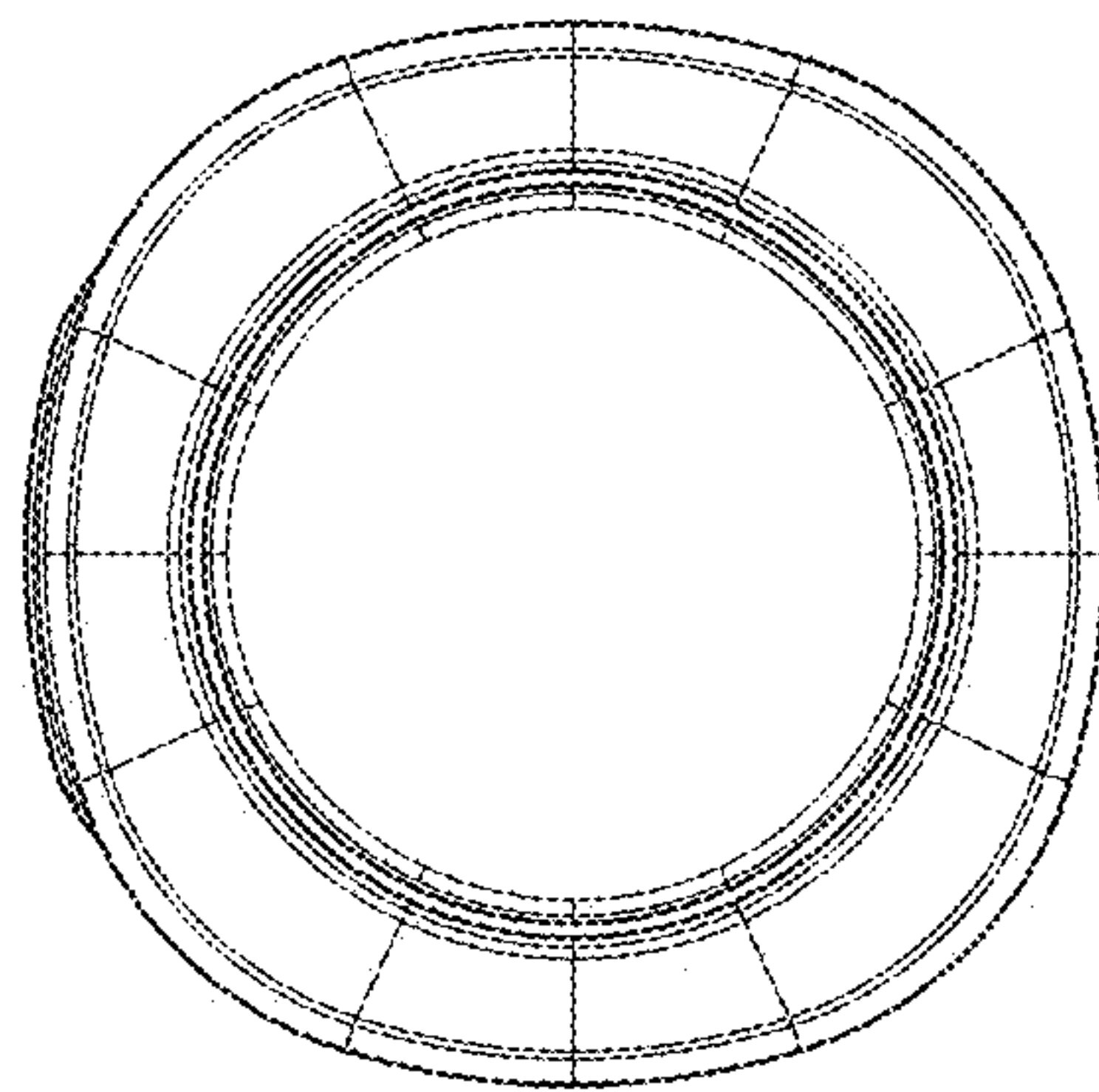


Figure 13

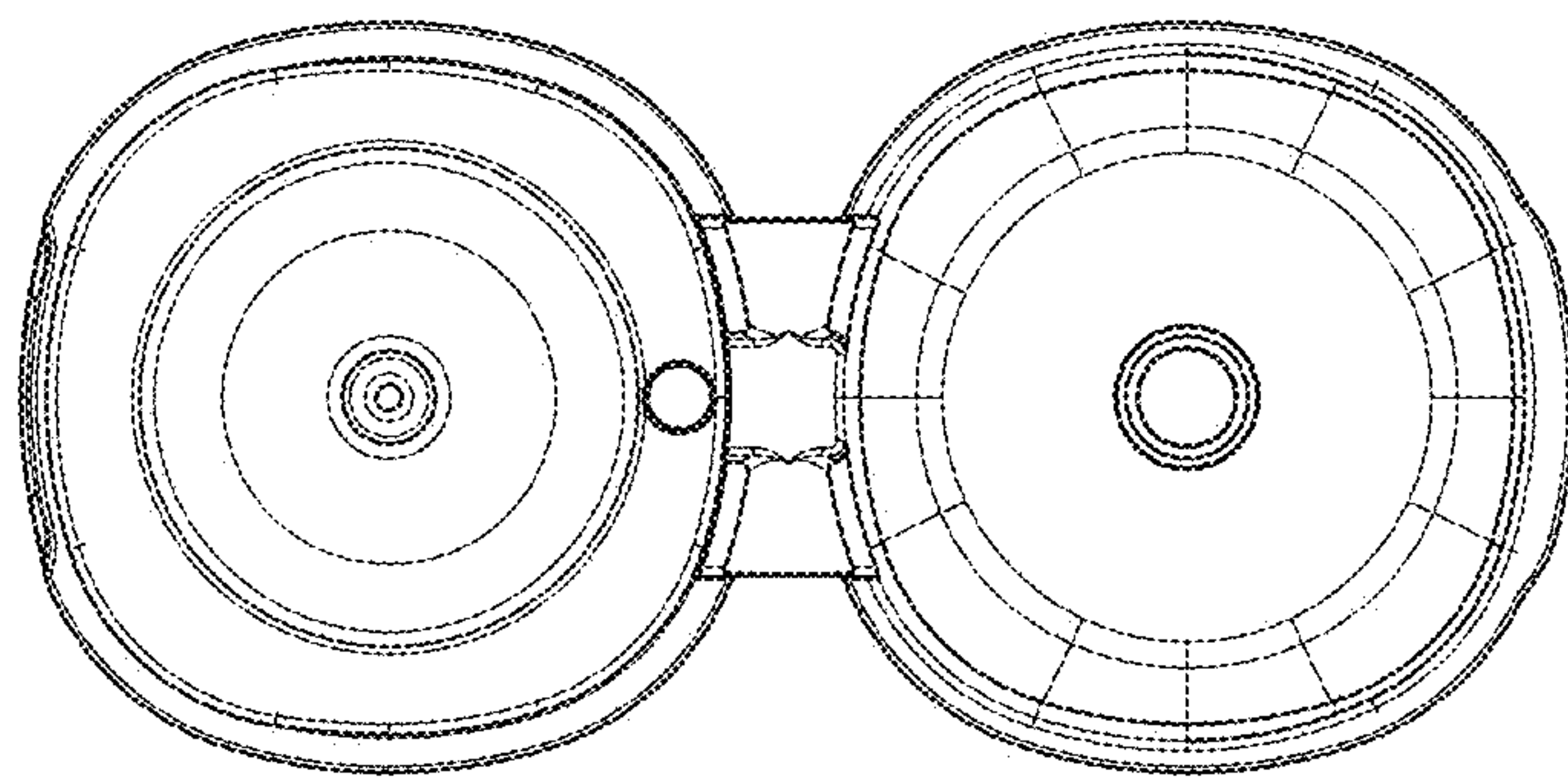


Figure 14