



US00D954286S

(12) **United States Design Patent**
Huang

(10) **Patent No.:** **US D954,286 S**

(45) **Date of Patent:** **** Jun. 7, 2022**

(54) **SEX MASSAGER**

D911,543 S * 2/2021 Zhang D24/215
D919,108 S * 5/2021 Zhang D24/215

(71) Applicant: **Bingchi Huang**, Guangdong (CN)

* cited by examiner

(72) Inventor: **Bingchi Huang**, Guangdong (CN)

Primary Examiner — Michael A Maharajh

(**) Term: **15 Years**

(74) *Attorney, Agent, or Firm* — ScienBiziP, P.C.

(21) Appl. No.: **29/798,375**

(57) **CLAIM**

(22) Filed: **Jul. 7, 2021**

The ornamental design for a sex massager, as shown and described.

(51) **LOC (13) Cl.** **28-03**

DESCRIPTION

(52) **U.S. Cl.**

USPC **D24/215**

(58) **Field of Classification Search**

USPC D21/662, 673, 686, 691, 694, 826;
D25/62, 66, 68, 119, 126, 136; D6/329;
D8/14, 323, 349, 354, 360; D24/107,
D24/128, 215; D15/10, 66, 122, 141,
D15/147, 199

CPC .. A63B 1/00; A63B 2023/003; A63B 23/1218
See application file for complete search history.

FIG. 1 is a front, right, and top perspective view of a sex massager, showing my design.
FIG. 2 is a front elevation view thereof.
FIG. 3 is a rear elevation view thereof.
FIG. 4 is a left side elevation view thereof.
FIG. 5 is a right side elevation view thereof.
FIG. 6 is a top plan view thereof.
FIG. 7 is a bottom plan view thereof.
FIG. 8 is a partial enlarged view of an area labeled 8 in FIG. 1 comprising a protrusion.
FIG. 9 is a partial enlarged view of an area labeled 9 in FIG. 1 comprising a handle; and,
FIG. 10 is a partial enlarged view of an area labeled 10 in FIG. 1 comprising a part of a round part.

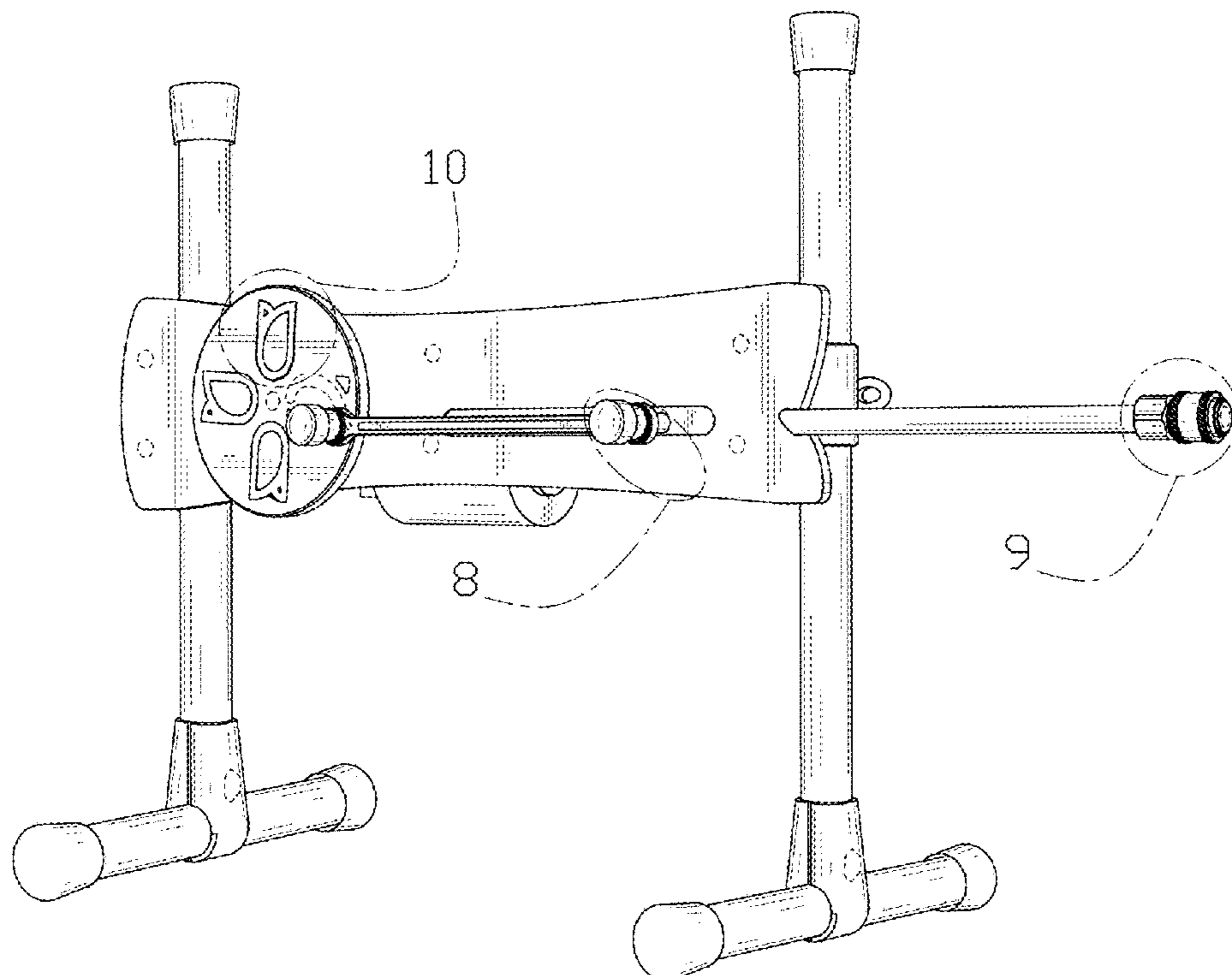
(56) **References Cited**

U.S. PATENT DOCUMENTS

- 4,350,067 A * 9/1982 Picard B27B 17/0058
269/296
- 4,355,525 A * 10/1982 Carson B21D 7/024
D15/123
- D549,749 S * 8/2007 Francis D15/141
- 9,808,669 B2 * 11/2017 Letow A63B 21/4045
- D824,036 S 7/2018 Hu
- D868,274 S 11/2019 Hu
- D908,231 S * 1/2021 Ye D24/200

The broken lines shown in the drawings are included for the purpose of illustrating portions of the sex massager that form no part of the claimed design.
The dash-dot broken lines shown are for the purpose of showing enlarged areas, which form no part of the claimed design.

1 Claim, 10 Drawing Sheets



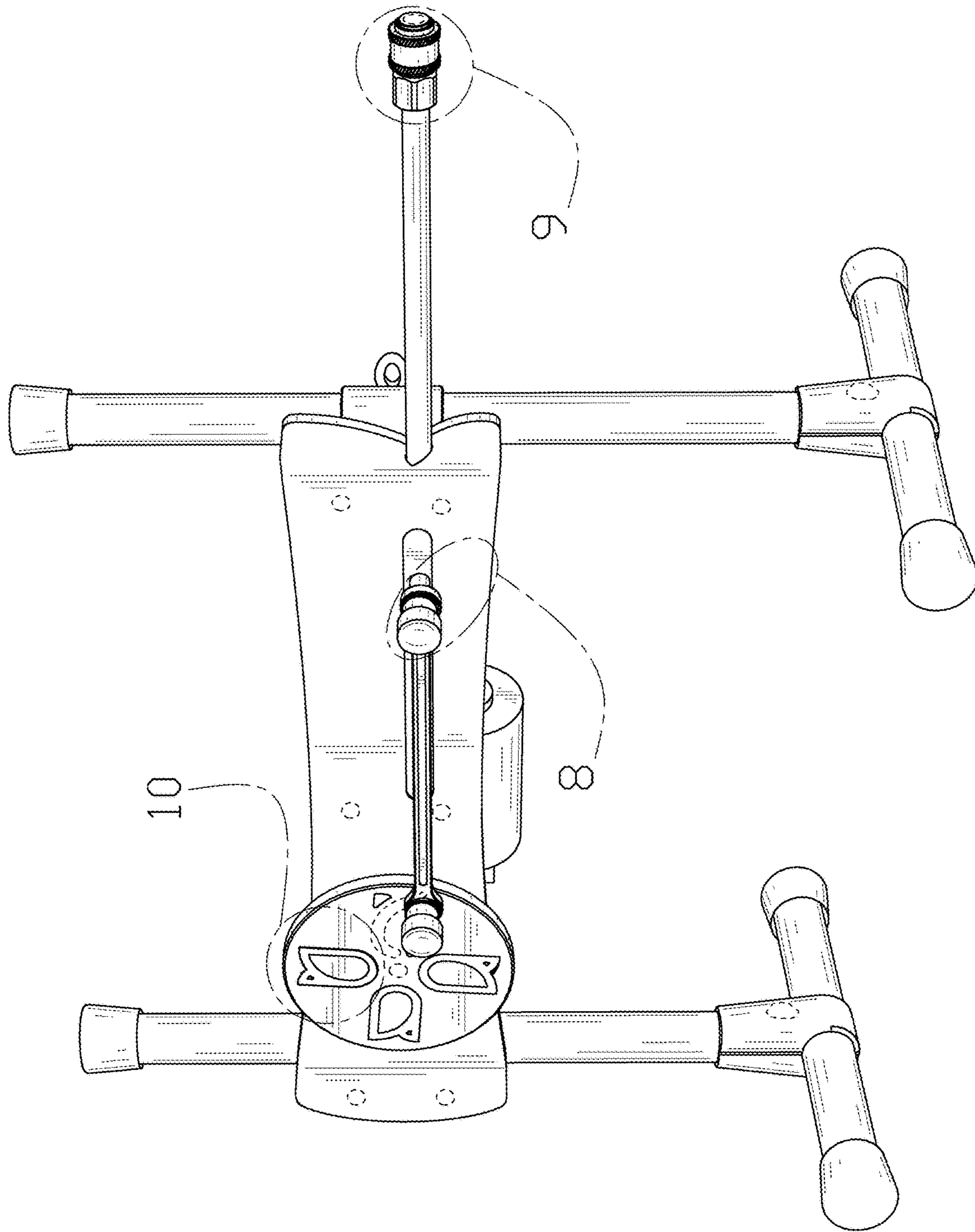


FIG. 1

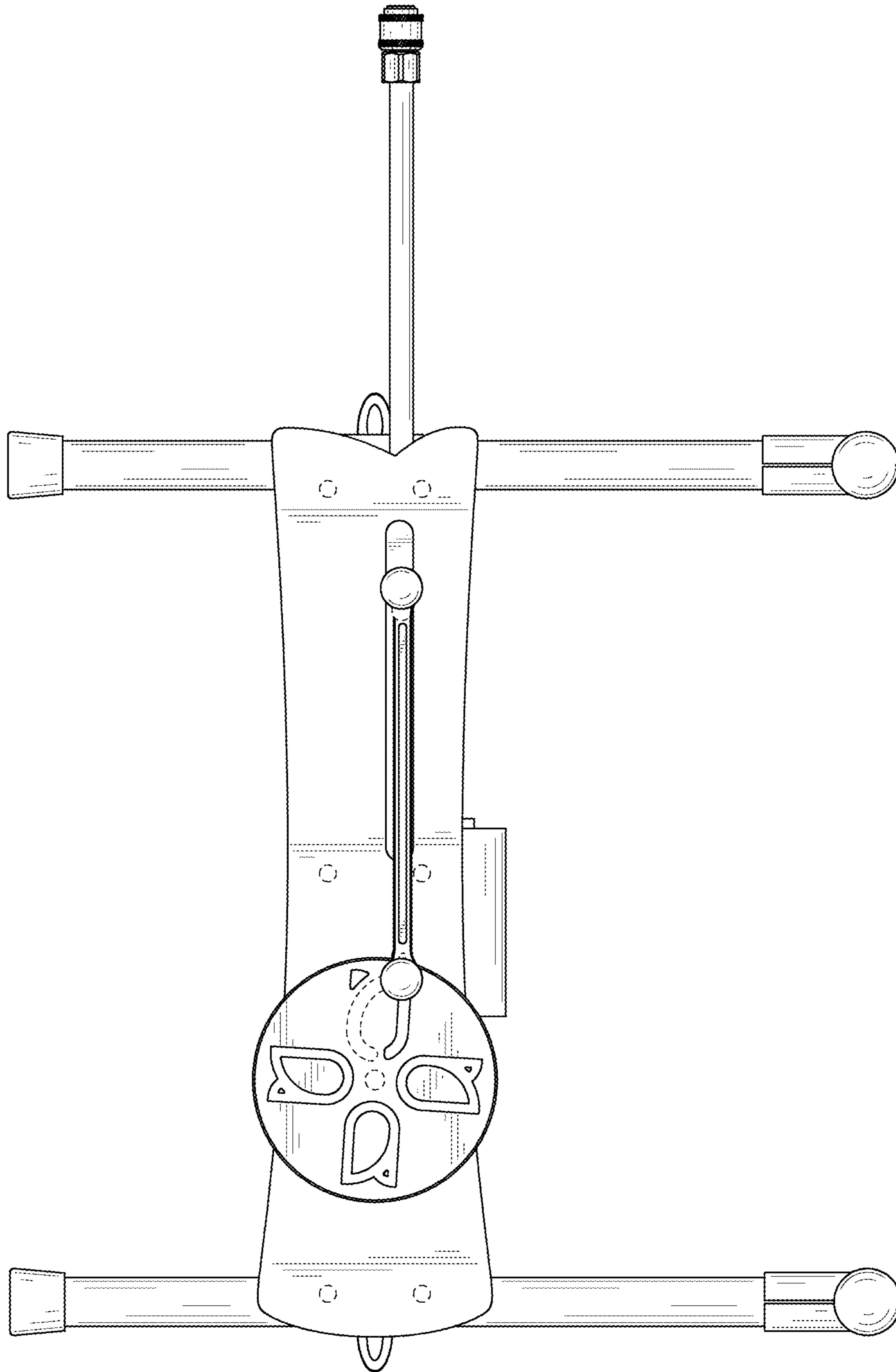


FIG. 2

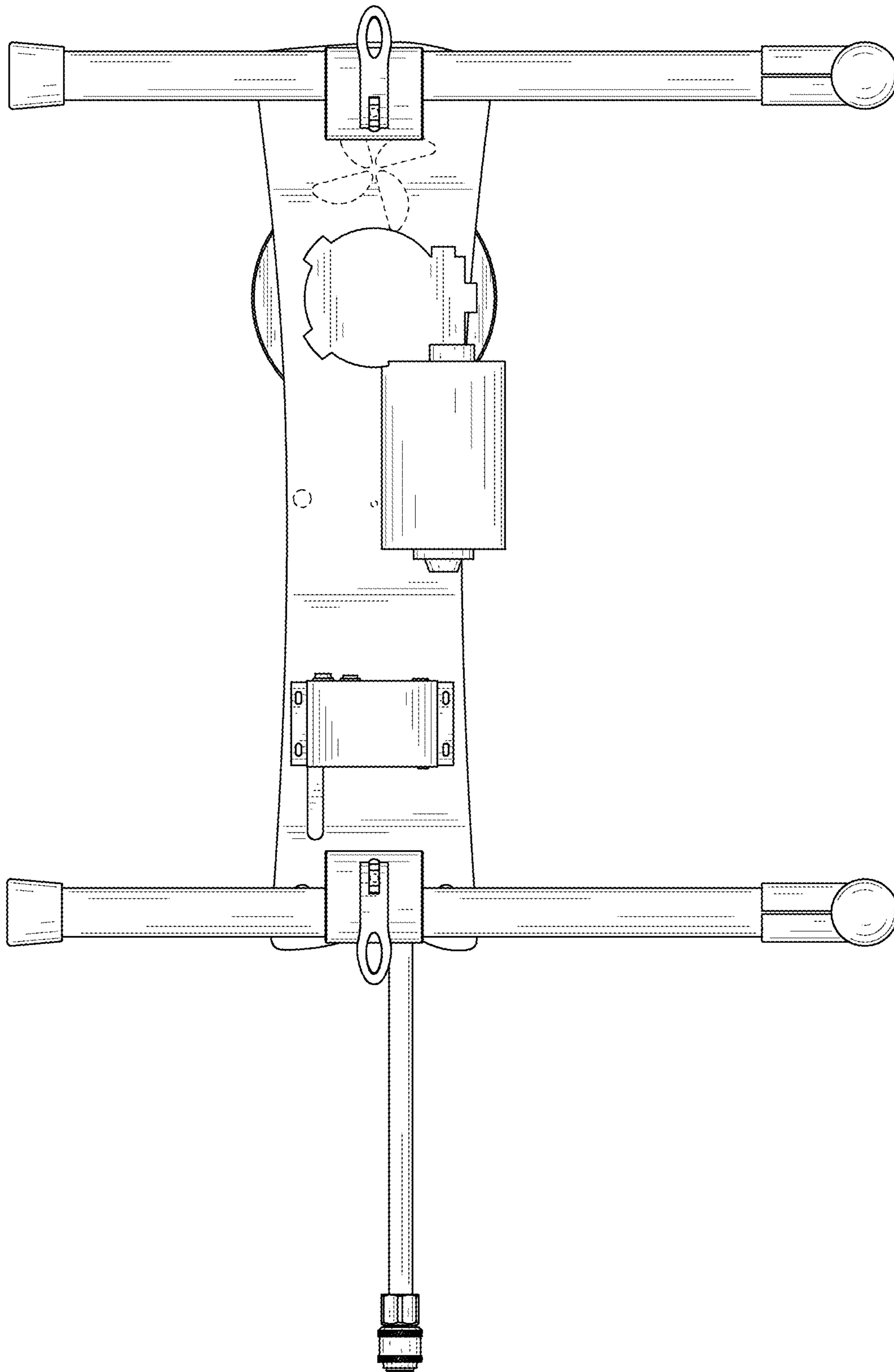


FIG. 3

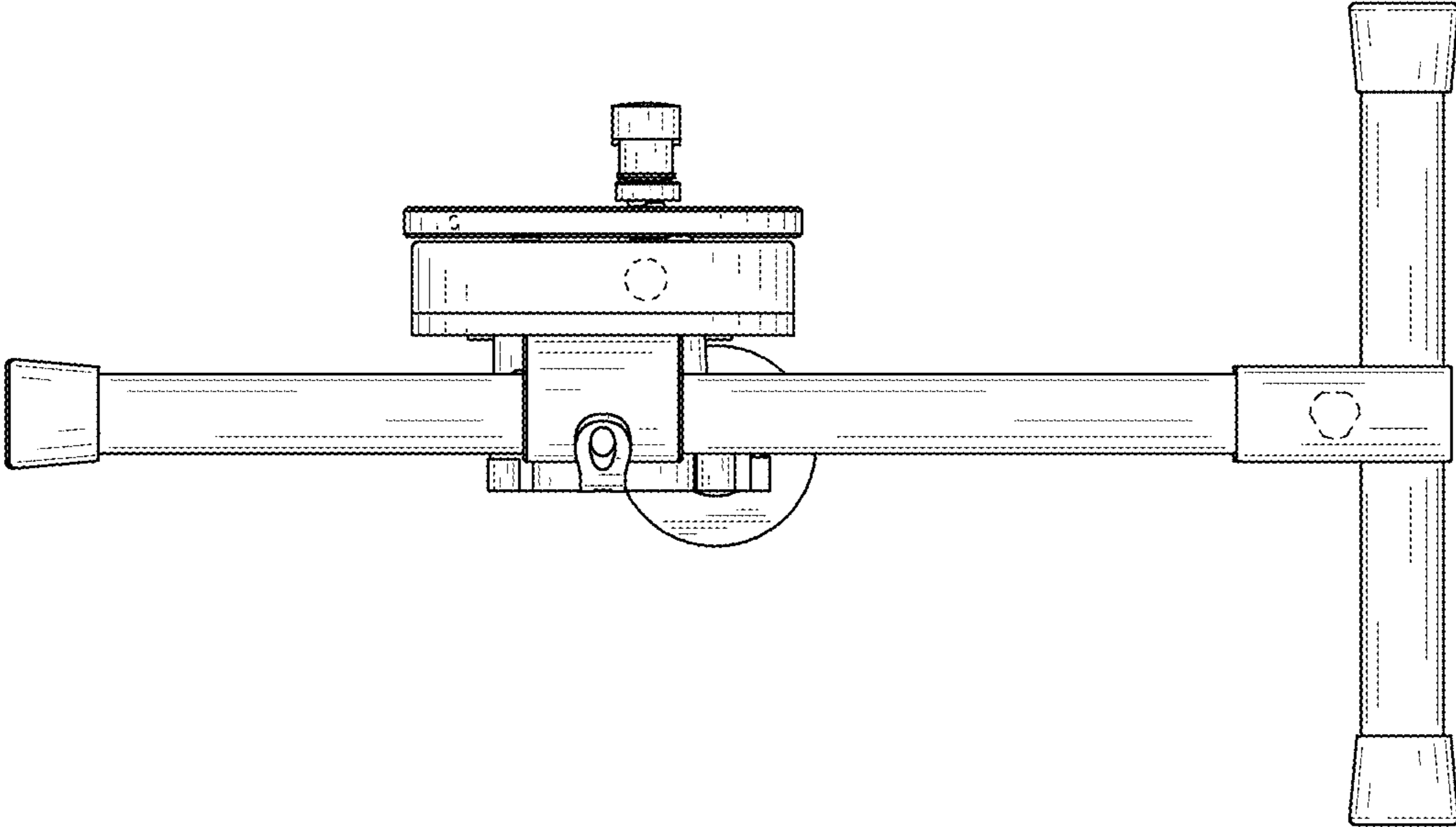


FIG. 4

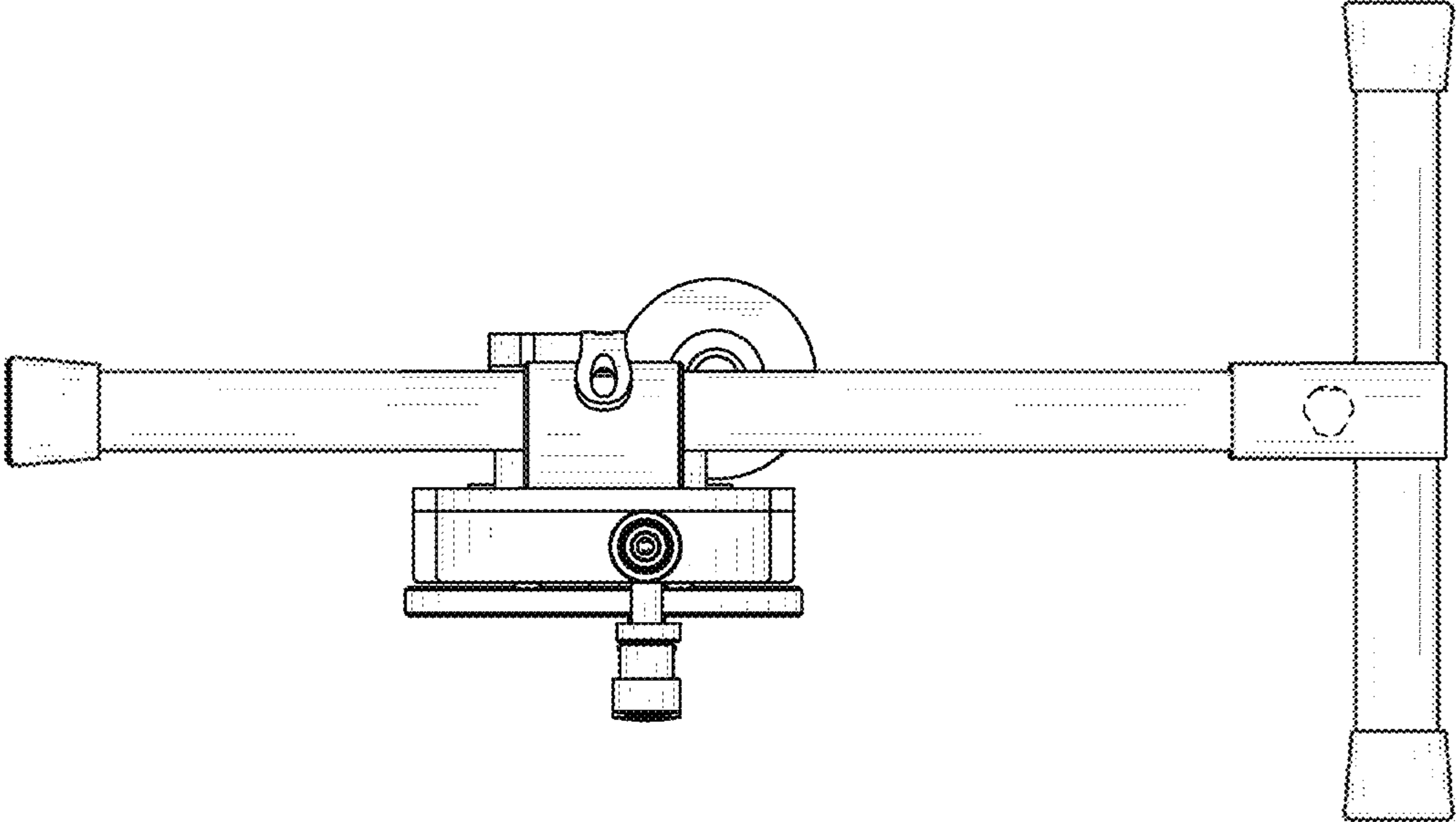


FIG. 5

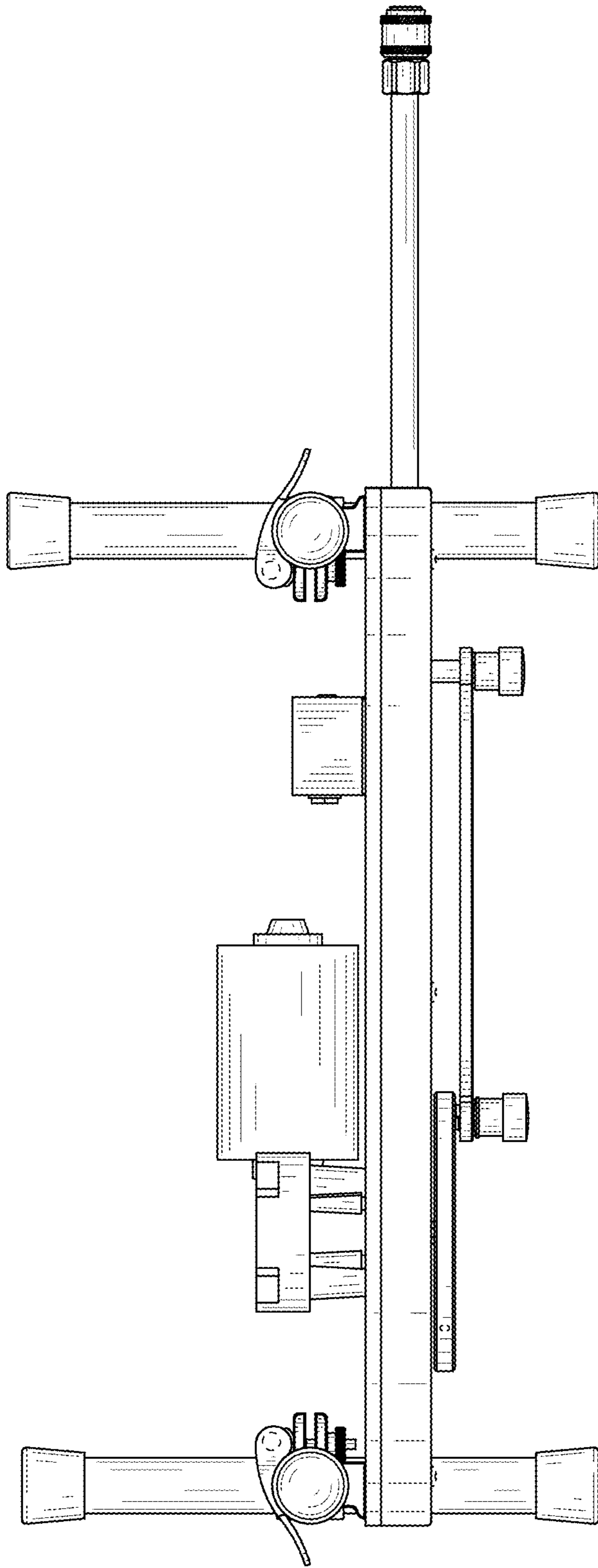


FIG. 6

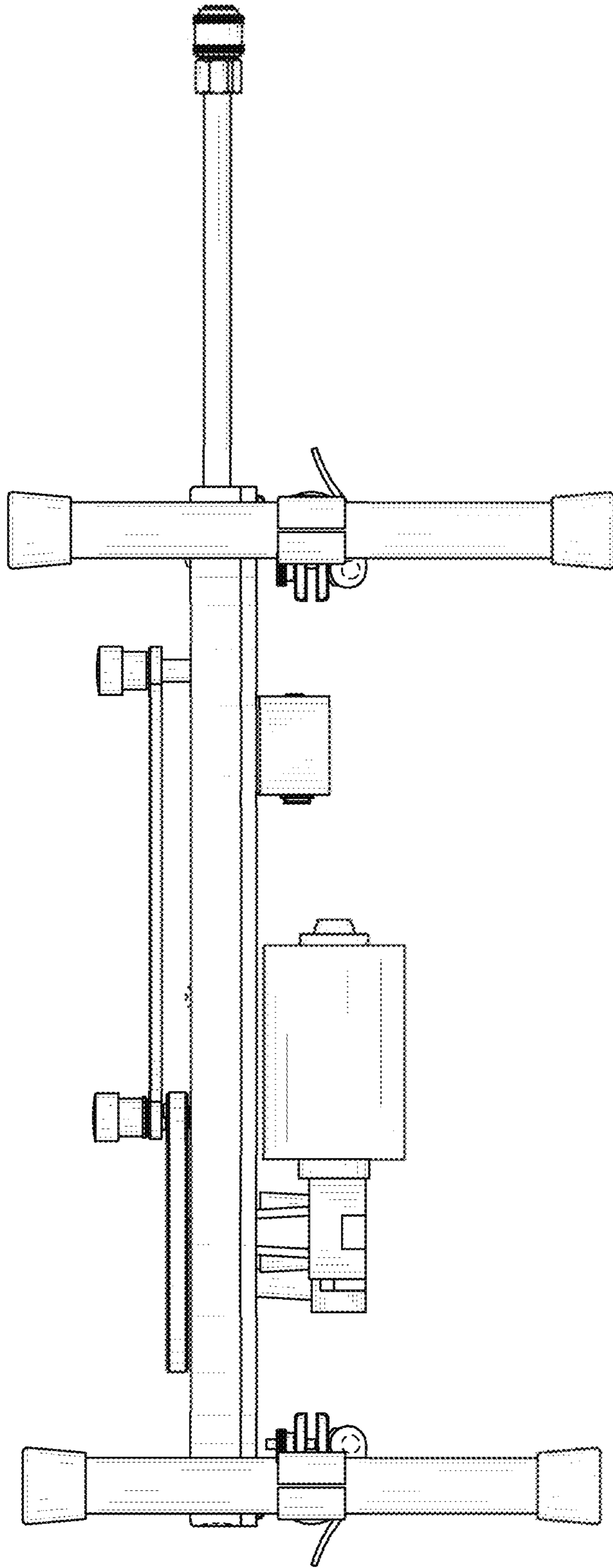


FIG. 7

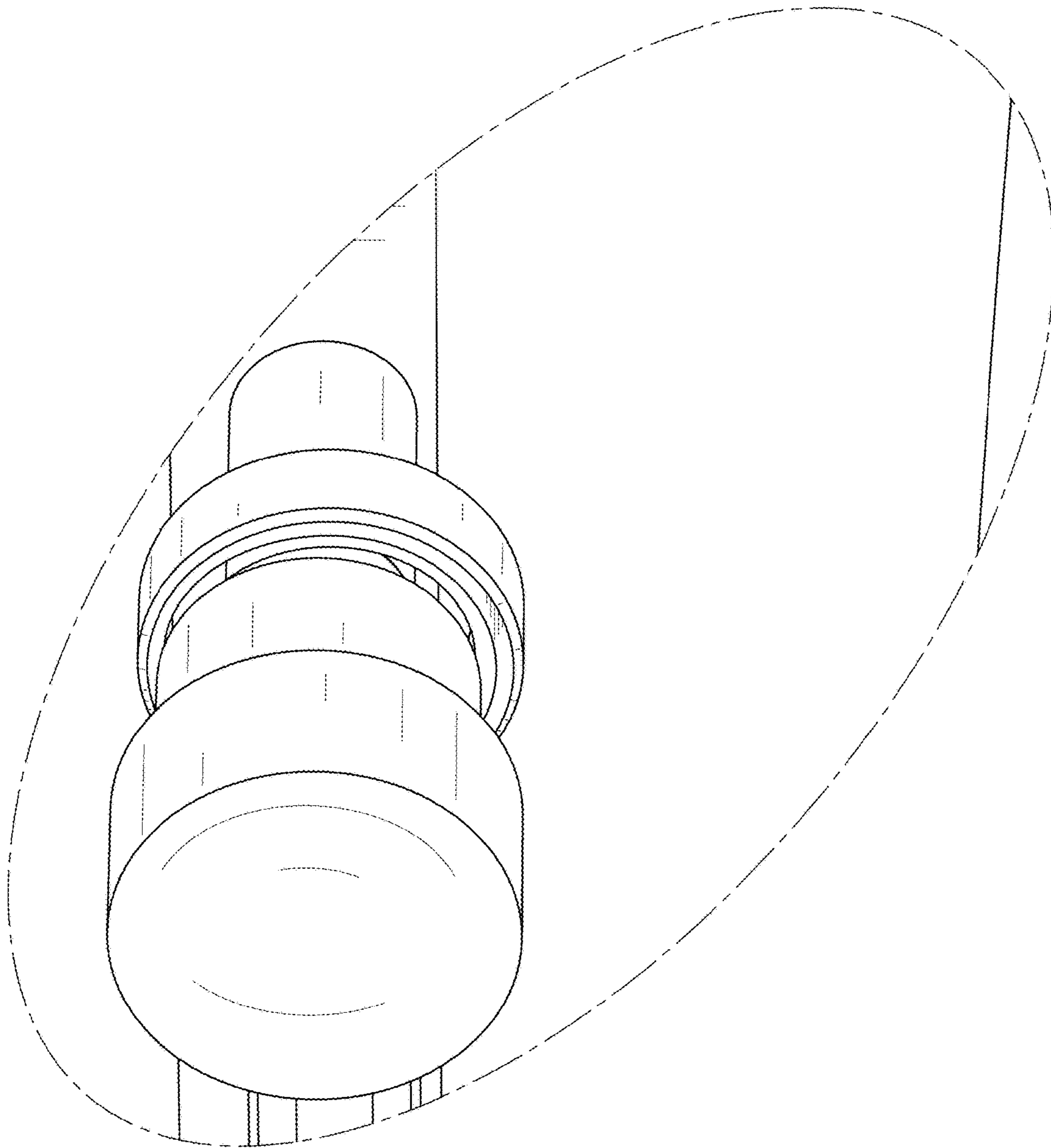


FIG. 8

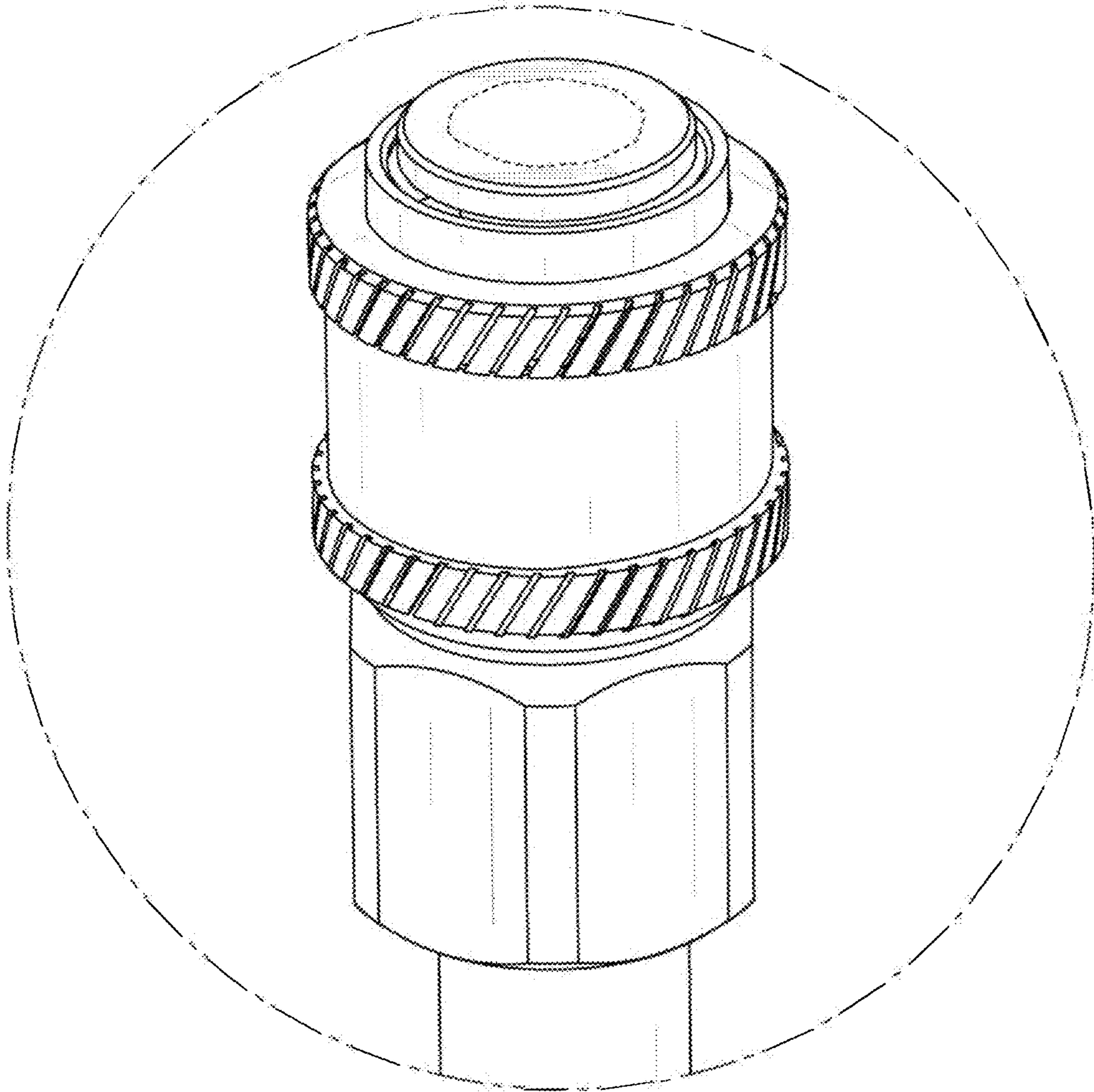


FIG. 9

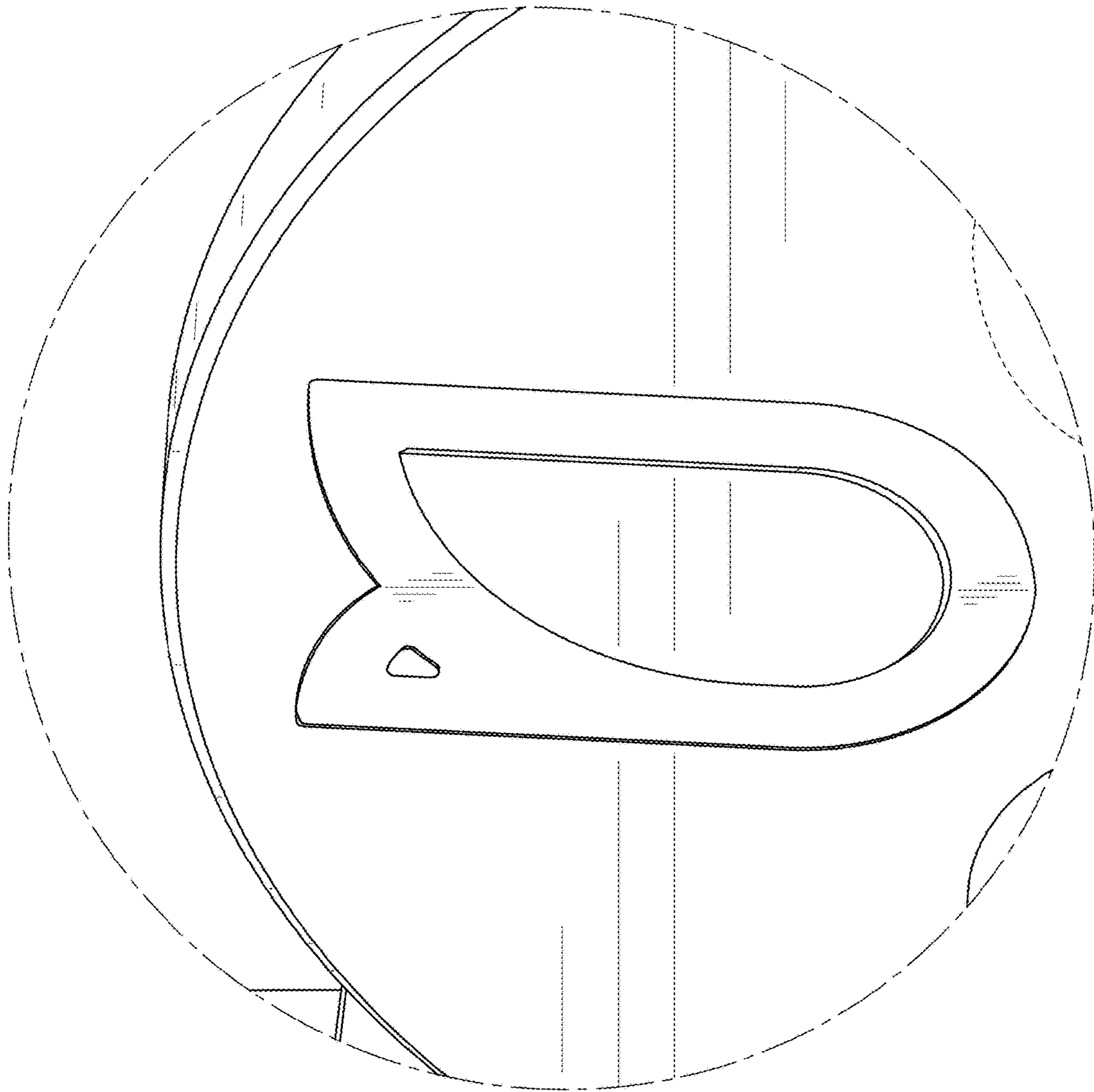


FIG. 10