



US00D954285S

(12) **United States Design Patent**  
**Lee et al.**

(10) **Patent No.:** **US D954,285 S**  
(45) **Date of Patent:** **\*\* Jun. 7, 2022**

- (54) **MASSAGE APPLIANCE**
- (71) Applicant: **Pado, Inc.**, Valencia, CA (US)
- (72) Inventors: **Steven Lee**, Valencia, CA (US);  
**Alejandro Garfio**, Mission Viejo, CA (US)
- (73) Assignee: **Pado, Inc.**, Valencia, CA (US)
- (\*\*) Term: **15 Years**
- (21) Appl. No.: **29/730,821**
- (22) Filed: **Apr. 8, 2020**

D467,347 S *	12/2002	Yang	.....	D24/215
6,911,010 B2	6/2005	Dirks et al.		
7,013,588 B2	3/2006	Chang		
D649,657 S *	11/2011	Petersen	.....	D24/215
D671,226 S *	11/2012	Aulwes	.....	D24/215
D674,499 S *	1/2013	Palm	.....	D24/200
D703,825 S *	4/2014	Barrett	.....	D24/200
D726,926 S *	4/2015	Matsushita	.....	D24/200
D726,927 S *	4/2015	Matsushita	.....	D24/200
D727,514 S *	4/2015	Matsushita	.....	D24/200
9,107,799 B2	4/2015	Muchisky		
D738,522 S	9/2015	Matsuura		
D823,478 S *	7/2018	Park	.....	D24/215
D837,395 S *	1/2019	Gan	.....	D24/214
D842,491 S *	3/2019	Fleming	.....	D24/215
D847,363 S *	4/2019	Aulwes	.....	D24/215

(Continued)

**Related U.S. Application Data**

- (63) Continuation-in-part of application No. 16/526,408, filed on Jul. 30, 2019.
- (51) **LOC (13) Cl.** ..... **28-03**
- (52) **U.S. Cl.**  
USPC ..... **D24/215**
- (58) **Field of Classification Search**  
USPC ..... D24/133, 200, 211, 212, 213, 214, 215;  
D30/160; D4/127, 137  
CPC ..... A61H 23/006; A61H 7/007; A61H 23/06;  
A61H 7/00; A61H 7/002  
See application file for complete search history.

**References Cited**

**U.S. PATENT DOCUMENTS**

4,224,932 A	9/1980	Farb		
4,958,628 A	9/1990	Iwamoto		
D323,034 S *	1/1992	Reinstein	.....	D24/200
5,183,034 A	2/1993	Yamasaki et al.		
D334,430 S *	3/1993	Tsou	.....	D24/214
D435,913 S *	1/2001	Harris	.....	D24/214
D438,308 S *	2/2001	Harris	.....	D24/214
D463,862 S *	10/2002	Lau	.....	D24/214
6,478,755 B2	11/2002	Young		

*Primary Examiner* — Michael A Maharajh

(74) *Attorney, Agent, or Firm* — Sheppard, Mullin, Richter & Hampton LLP

(57) **CLAIM**

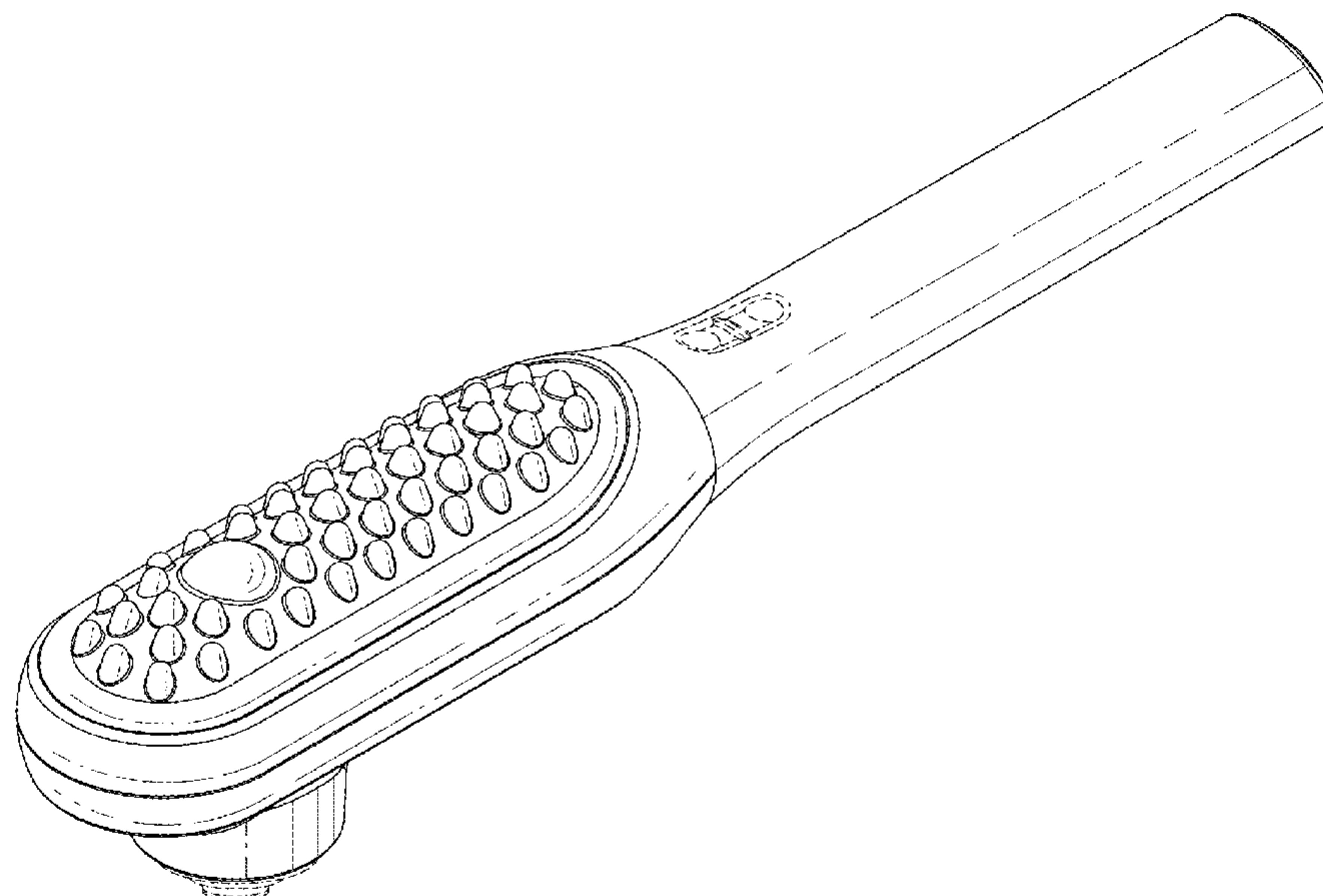
The ornamental design for a massage appliance, as shown and described.

**DESCRIPTION**

FIG. 1 is a top perspective view of a massage appliance, showing my new design;  
 FIG. 2 is a bottom perspective view thereof;  
 FIG. 3 is a top view thereof;  
 FIG. 4 is a bottom view thereof;  
 FIG. 5 is a right side view thereof;  
 FIG. 6 is a left side view view thereof;  
 FIG. 7 is a front view thereof; and,  
 FIG. 8 is a rear view thereof.

The broken lines in the drawings are for the purposes of illustrating portions of the massage appliance and form no part of the claimed design.  
 Shading lines are to show contours rather than surface ornamentation.

**1 Claim, 6 Drawing Sheets**



(56)

**References Cited**

U.S. PATENT DOCUMENTS

D848,017	S	*	5/2019	Zheng	.....	D24/215
D852,971	S	*	7/2019	Gan	.....	D24/211
D855,197	S	*	7/2019	Park	.....	D24/214
D858,789	S	*	9/2019	Logan	.....	D24/215
D863,580	S	*	10/2019	Lee	.....	D24/211
D863,581	S	*	10/2019	Lee	.....	D24/211
D864,407	S	*	10/2019	Zhou	.....	D24/215
D866,189	S	*	11/2019	Baxter	.....	D4/102
D869,673	S	*	12/2019	Chen	.....	D24/211
D872,295	S	*	1/2020	Friedman	.....	D24/215
D899,615	S	*	10/2020	Lin	.....	D24/214
D923,191	S	*	6/2021	Park	.....	D24/215
D923,192	S	*	6/2021	Park	.....	D24/215
D925,057	S	*	7/2021	Song	.....	D24/215
D928,979	S	*	8/2021	Park	.....	D24/215
2005/0113725	A1		5/2005	Masuda		
2009/0083919	A1		4/2009	Taggart		
2013/0060081	A1		3/2013	Carter et al.		
2014/0357944	A1		12/2014	Spietz		
2015/0150599	A1*		6/2015	Matsushita	.....	A61N 1/325 604/20
2015/0305487	A1		10/2015	Pardo		
2017/0367923	A1		12/2017	Bergbacka		

\* cited by examiner

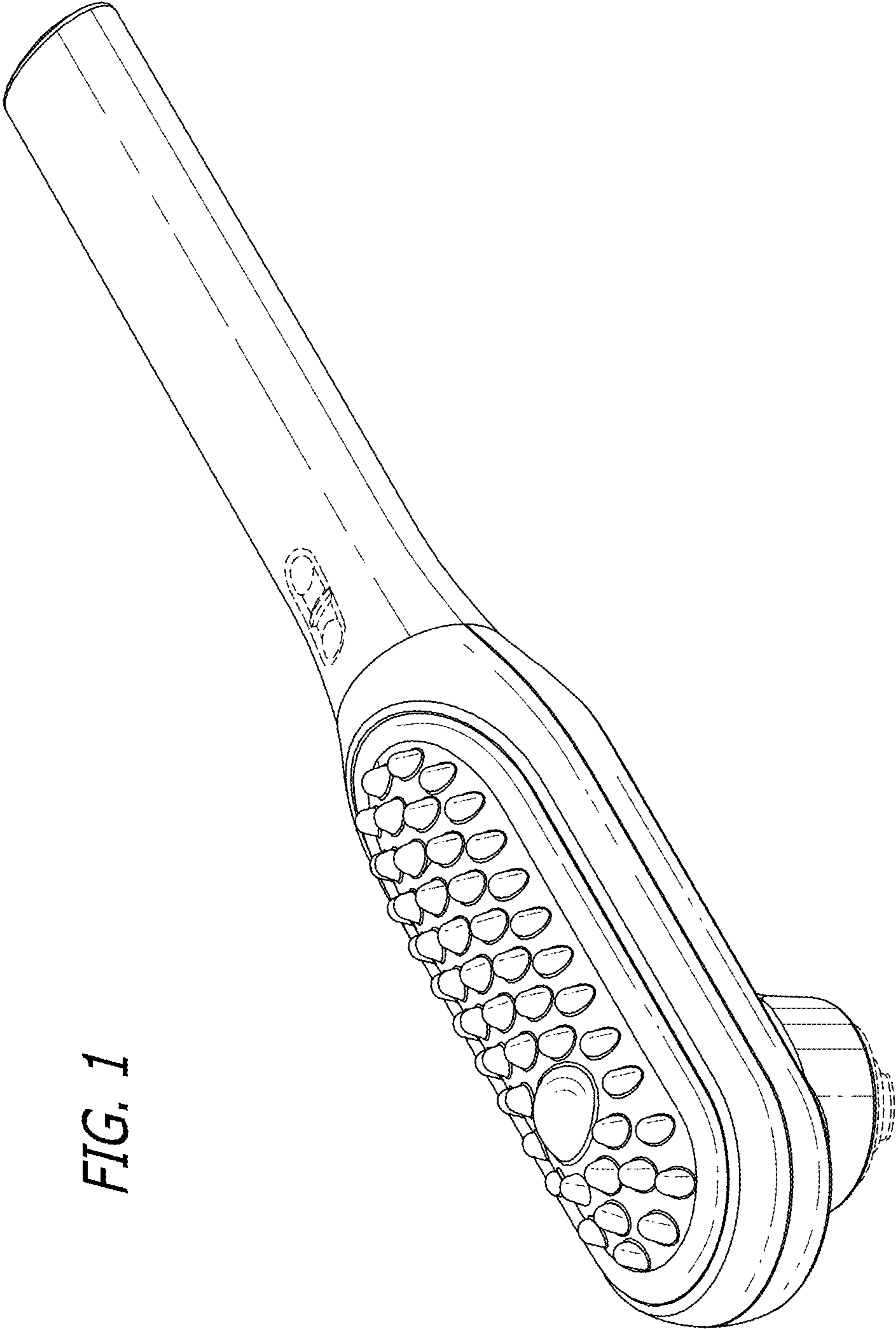
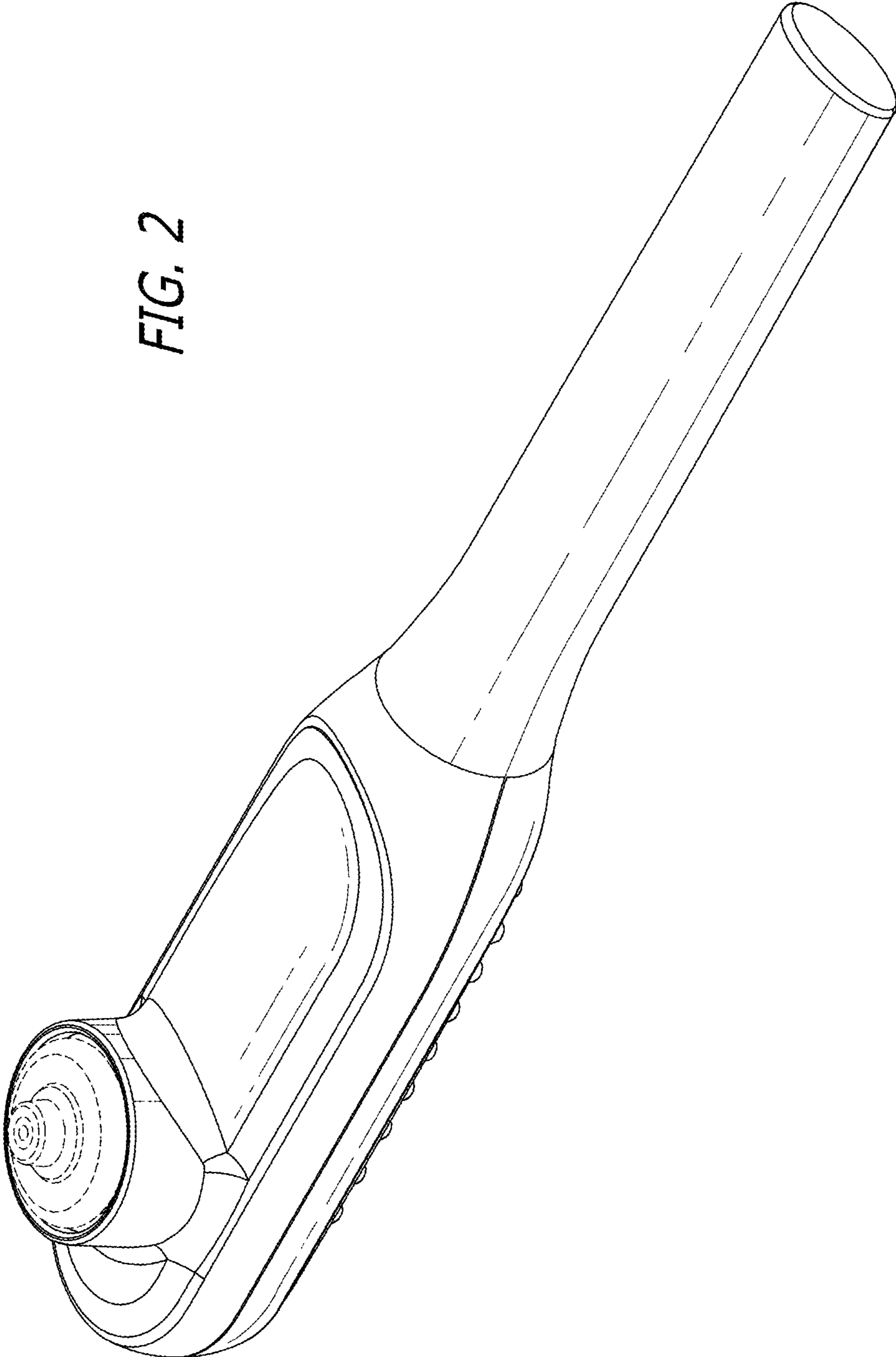


FIG. 1

FIG. 2



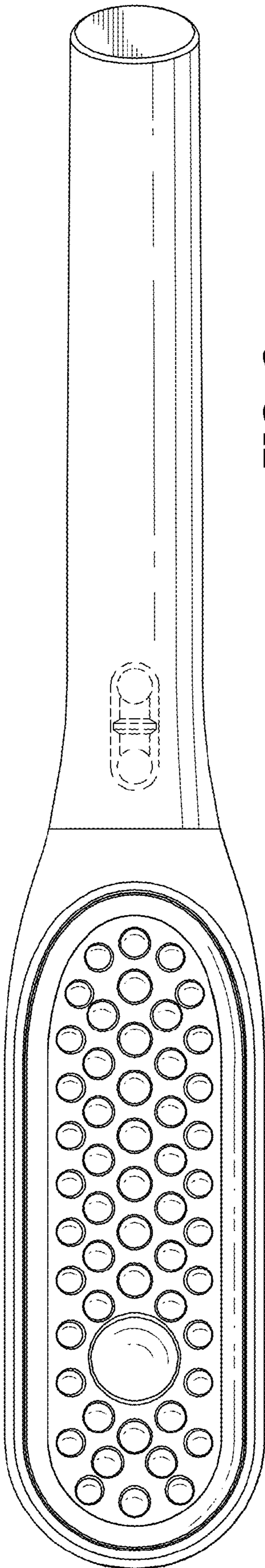


FIG. 3

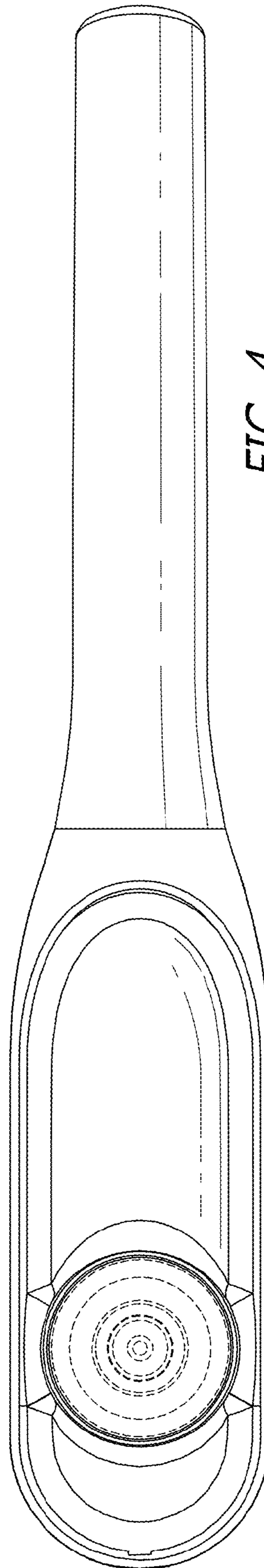


FIG. 4

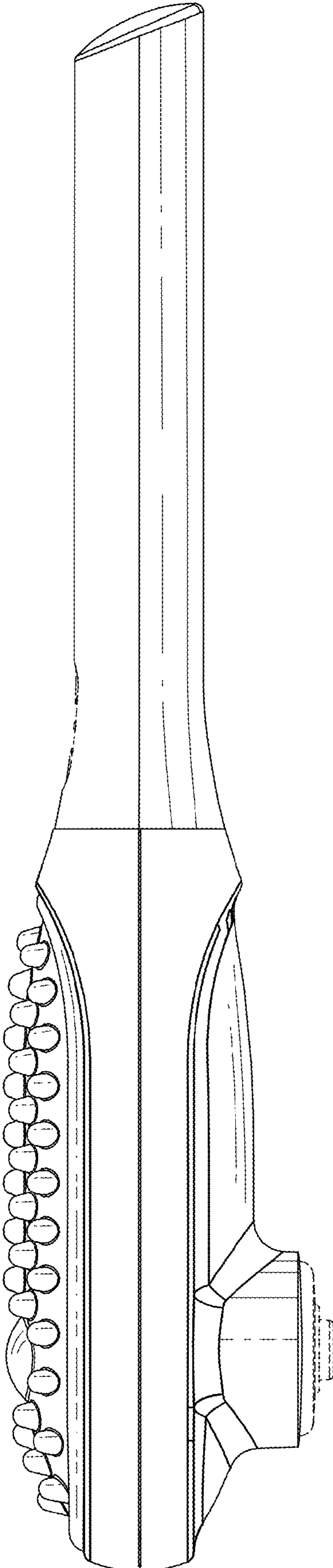


FIG. 5

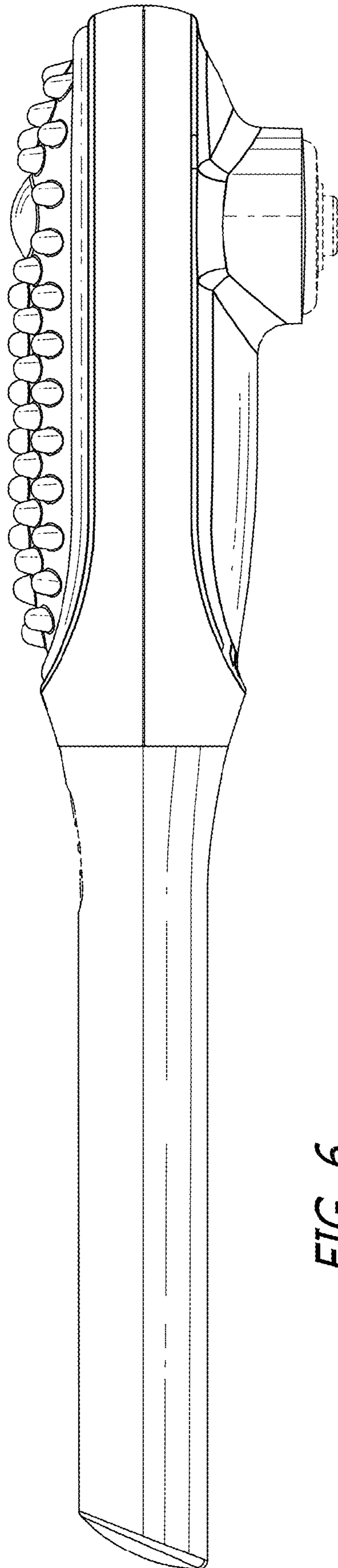


FIG. 6

FIG. 8

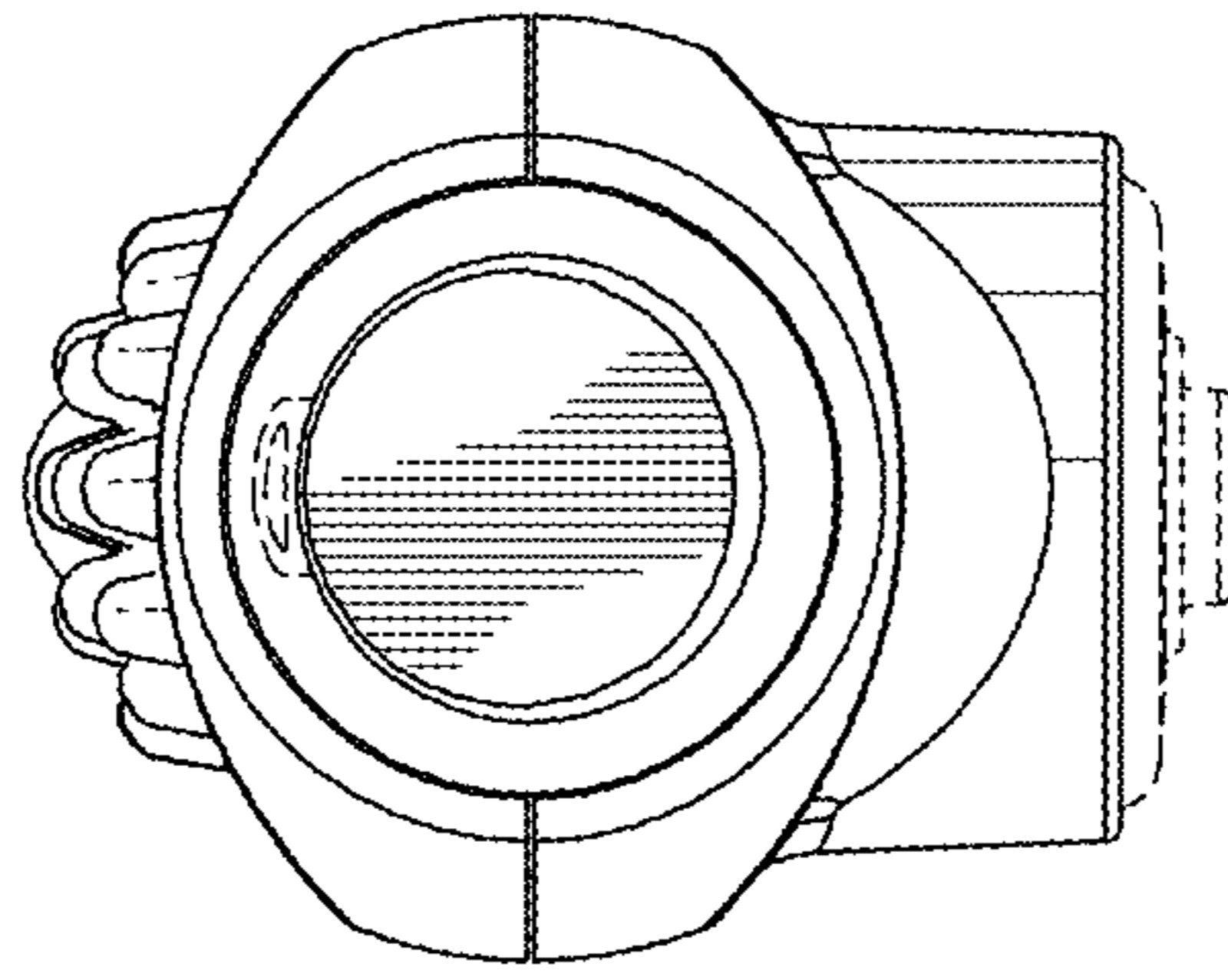


FIG. 7

