



US00D954283S

(12) **United States Design Patent** (10) **Patent No.:** **US D954,283 S**  
**Li** (45) **Date of Patent:** **\*\* Jun. 7, 2022**

(54) **FOOT MASSAGER**

(71) Applicant: **Xiamen Comfier Technology Co., Ltd.**, Fujian (CN)

(72) Inventor: **Jianqing Li**, Fujian (CN)

(\*\*) Term: **15 Years**

(21) Appl. No.: **29/740,255**

(22) Filed: **Jul. 2, 2020**

(51) **LOC (13) Cl.** ..... **28-03**

(52) **U.S. Cl.**  
USPC ..... **D24/213**

(58) **Field of Classification Search**  
USPC ..... D24/200, 203, 205, 211, 212, 213, 214, D24/215; D6/349  
CPC ..... A61H 2205/12; A61H 2201/164; A61H 2205/125; A61H 35/00; A61H 1/0266  
See application file for complete search history.

(56) **References Cited**

**U.S. PATENT DOCUMENTS**

D269,636 S *	7/1983	MacGregor	.....	D24/211
D330,256 S *	10/1992	Wollman	.....	D24/213
D339,638 S *	9/1993	Bucher	.....	D24/212
D348,784 S *	7/1994	Hassel	.....	D6/349
D350,450 S *	9/1994	Hassel	.....	D6/349
D351,027 S *	9/1994	Chen	.....	D24/200
D367,931 S *	3/1996	Shimizu	.....	D24/212
D374,723 S *	10/1996	Brooks	.....	D24/212
D387,175 S *	12/1997	Chen	.....	D24/215
D406,649 S *	3/1999	Miyake	.....	D24/212
D419,683 S *	1/2000	Miyake	.....	D24/213
D420,450 S *	2/2000	Anthony	.....	D24/212
D451,292 S *	12/2001	Cheris	.....	D6/349
D487,516 S *	3/2004	Lie	.....	D24/213
6,698,038 B2 *	3/2004	Bastia	.....	A61H 9/00 4/622
D490,530 S *	5/2004	Chen	.....	D24/211
7,322,946 B2 *	1/2008	Lev	.....	A61H 15/0078 601/112

D596,750 S *	7/2009	Lev	.....	D24/212
D599,452 S *	9/2009	Israel	.....	D23/335
D605,302 S *	12/2009	Tsang	.....	D24/212
D622,405 S *	8/2010	Tuli	.....	D24/213
D625,021 S *	10/2010	Stoddard	.....	D24/212
7,815,583 B2 *	10/2010	Harris	.....	A61H 23/00 601/16
D628,303 S *	11/2010	Hsu	.....	D24/213
D694,415 S *	11/2013	Viner	.....	D24/213

**OTHER PUBLICATIONS**

Amazon, "Snailax Shiatsu Foot Massager", Dec. 11, 2019. [https://www.amazon.com/Snailax-Massager-Washable-Flexible-Electric/dp/B07YDHSVWL/ref=cm\\_cr\\_ar\\_p\\_d\\_product\\_top?ie=UTF8](https://www.amazon.com/Snailax-Massager-Washable-Flexible-Electric/dp/B07YDHSVWL/ref=cm_cr_ar_p_d_product_top?ie=UTF8). Shown on p. 1. (Year: 2019).\*

\* cited by examiner

*Primary Examiner* — Michael A Maharajh  
(74) *Attorney, Agent, or Firm* — Prakash Nama; Global IP Services, PLLC

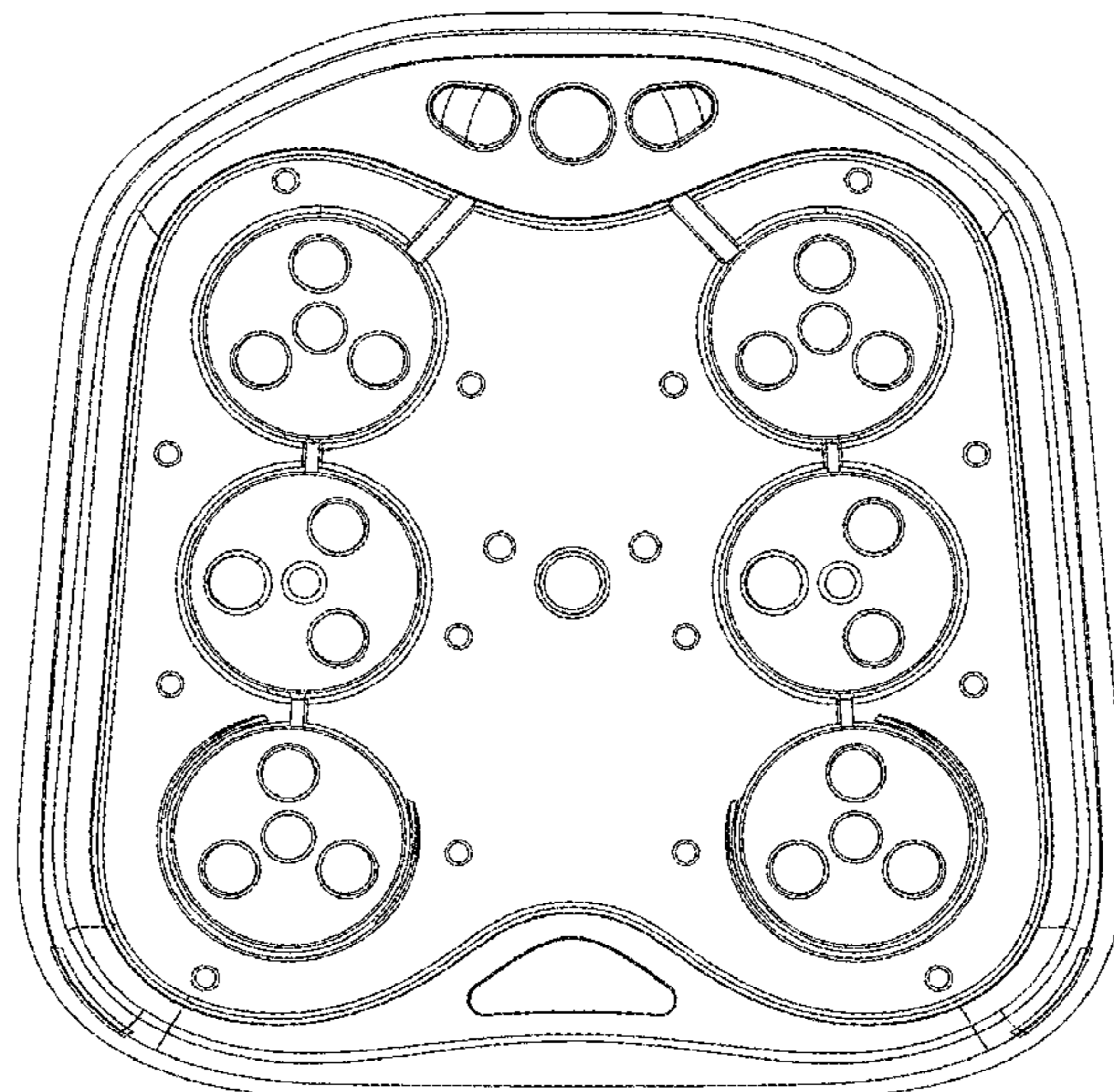
(57) **CLAIM**

The ornamental design for a foot massager, as shown and described.

**DESCRIPTION**

FIG. 1 is a top plan view of a foot massager showing my new design;  
FIG. 2 is a bottom plan view thereof;  
FIG. 3 is a left side view thereof;  
FIG. 4 is a right side view thereof;  
FIG. 5 is a front view thereof;  
FIG. 6 is a rear view thereof;  
FIG. 7 is a perspective view thereof; and,  
FIG. 8 is another perspective view thereof.  
The broken lines shown in the figures are for the purpose of illustrating portions of the foot massager, which form no part of the claimed design.

**1 Claim, 7 Drawing Sheets**



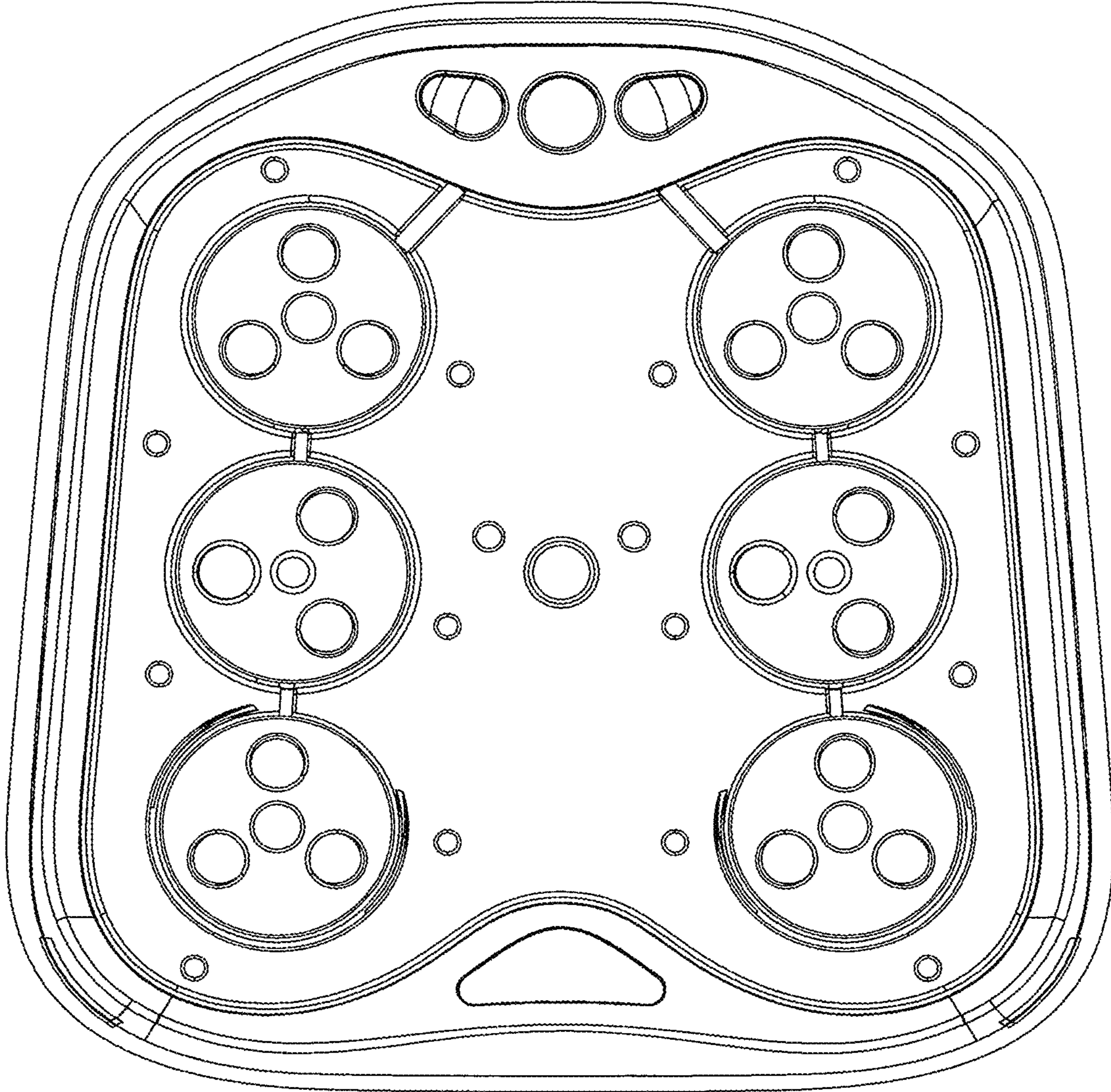


FIG. 1



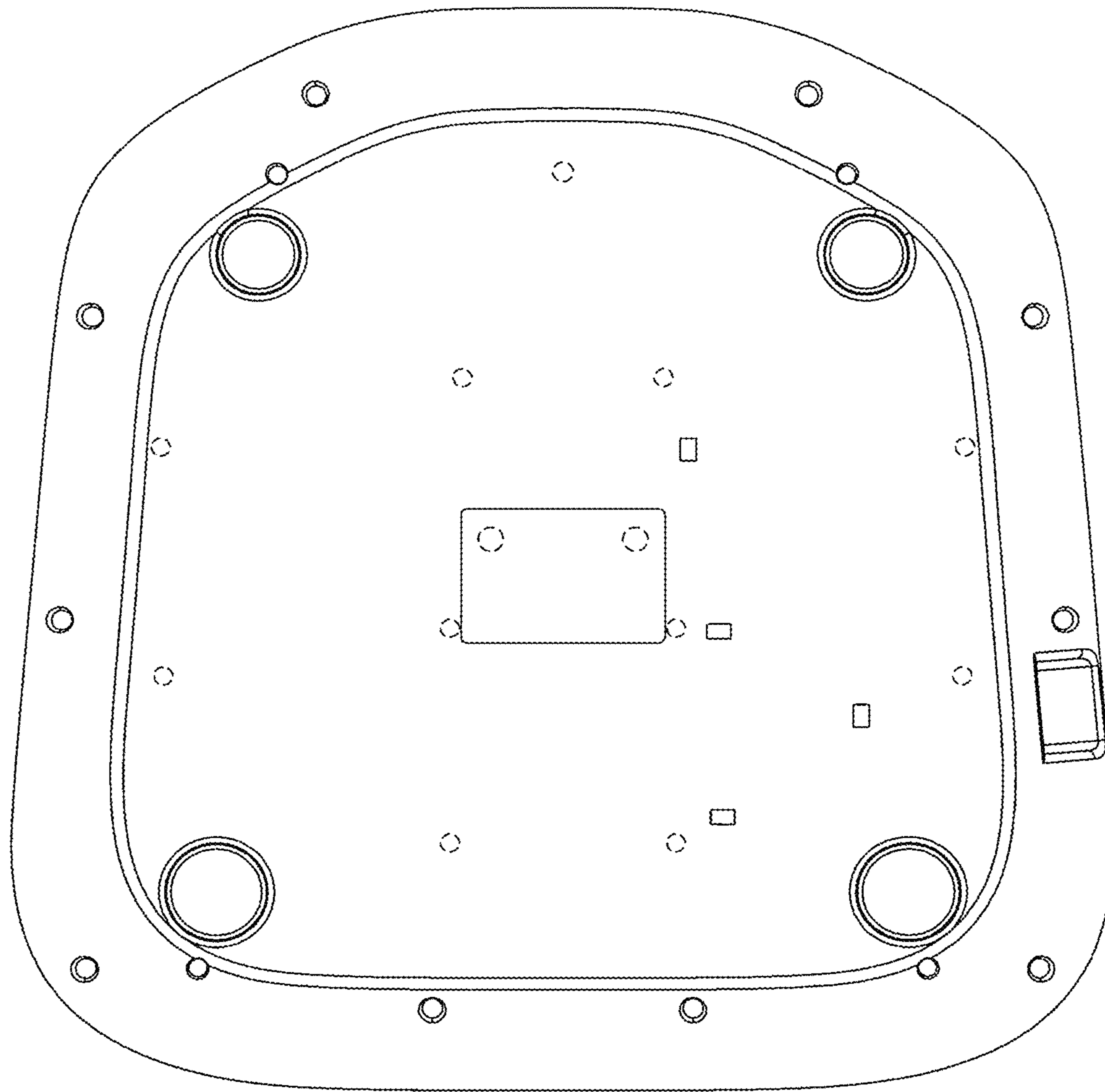


FIG. 2

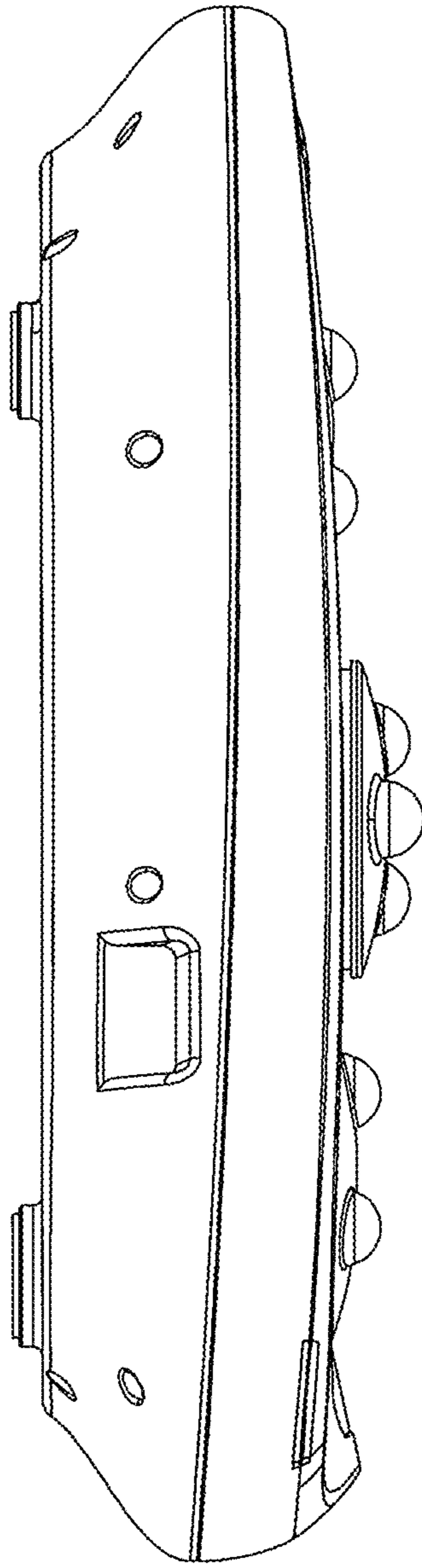


FIG. 3

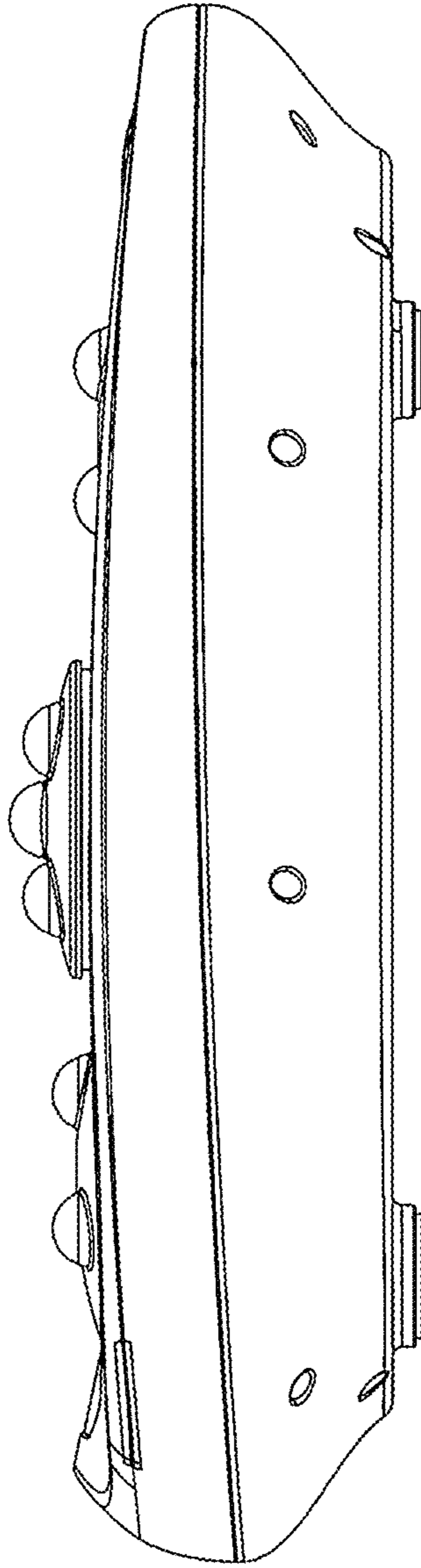


FIG. 4

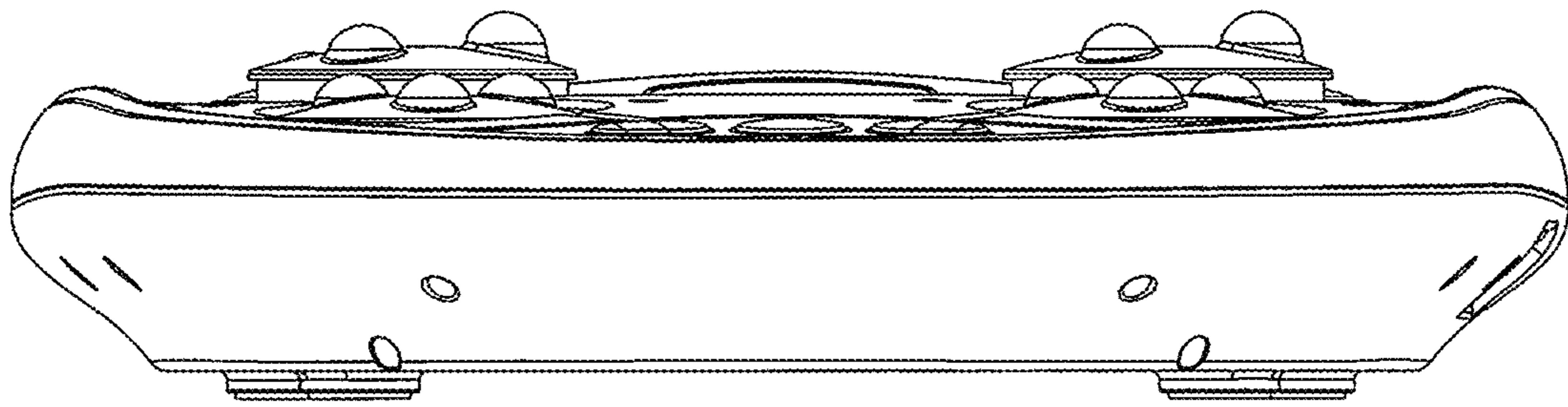


FIG. 5

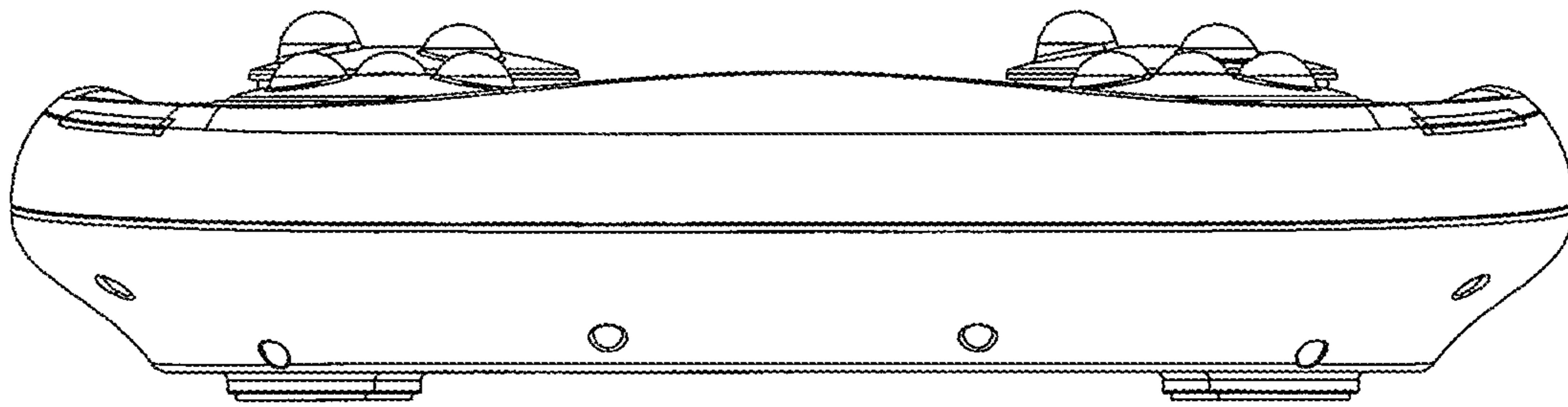


FIG. 6

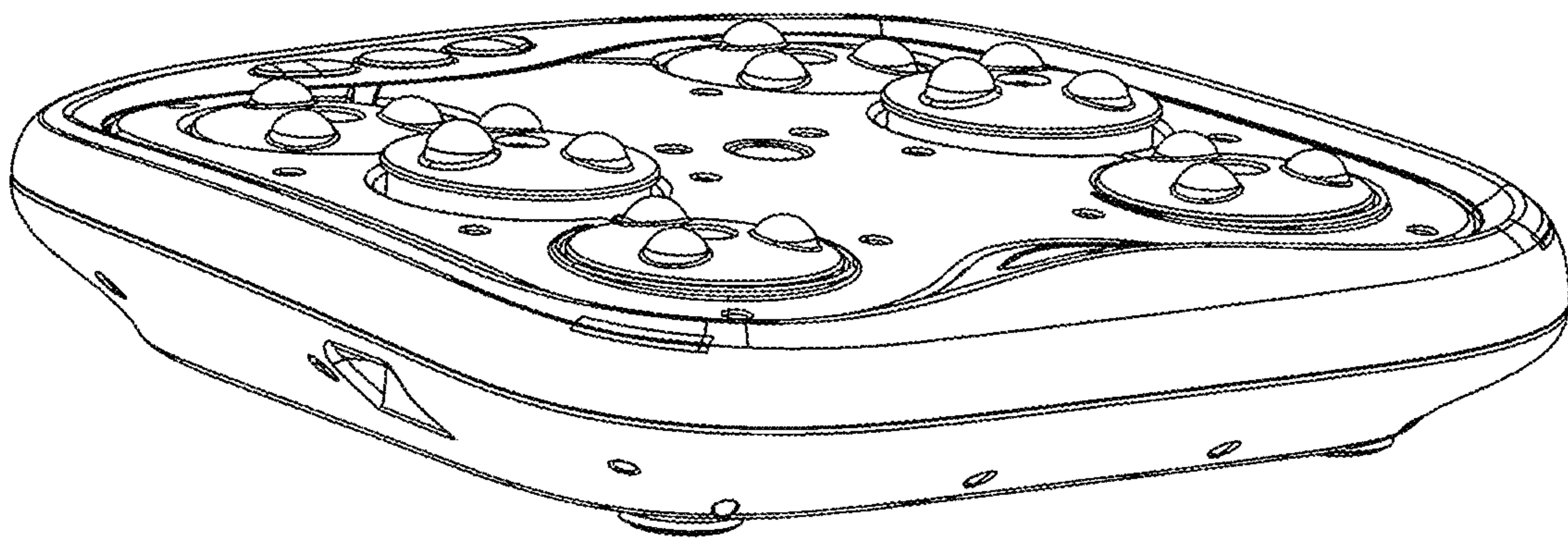


FIG. 7

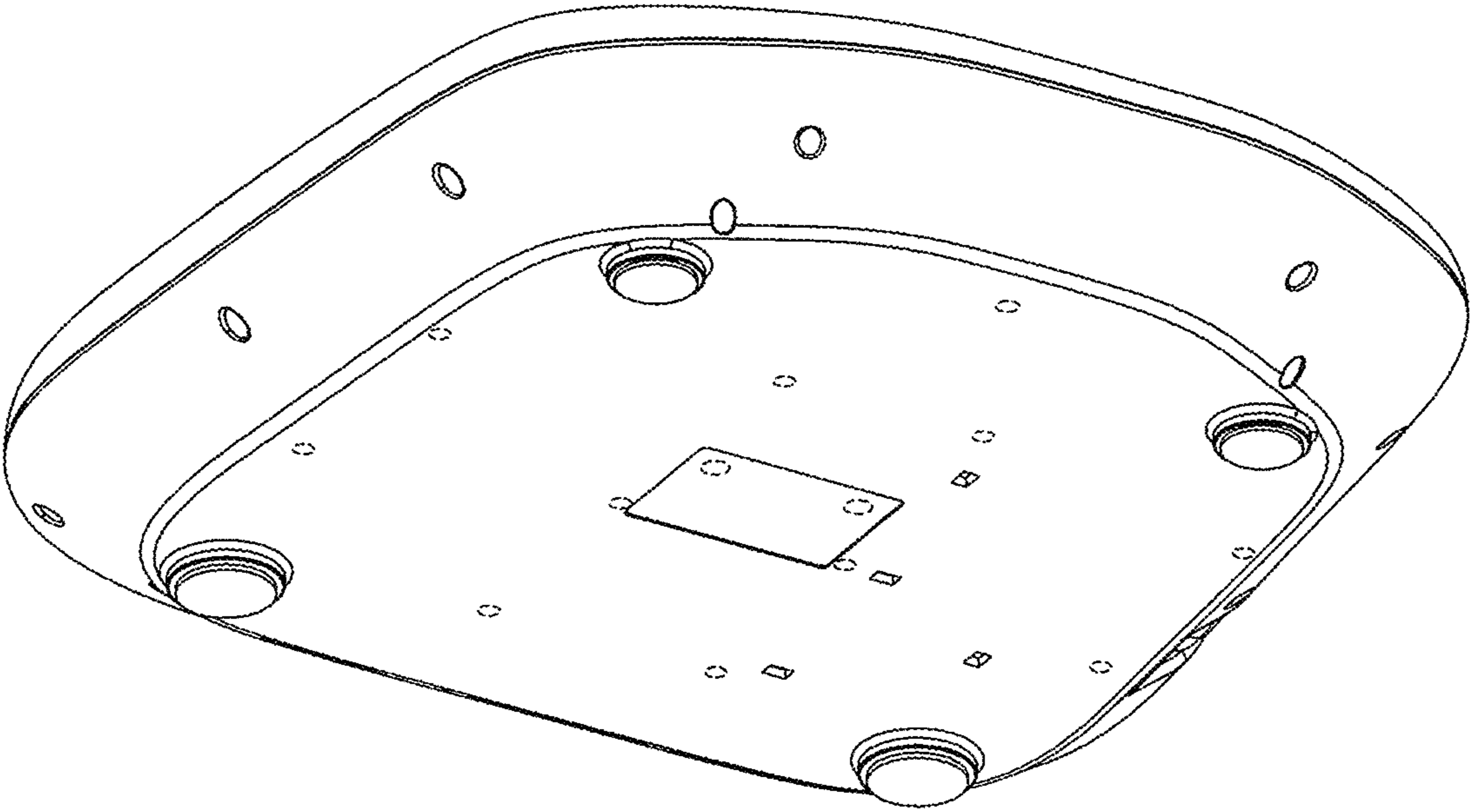


FIG. 8