



US00D954281S

(12) **United States Design Patent**  
**Hsu**

(10) **Patent No.:** **US D954,281 S**  
(45) **Date of Patent:** **\*\* Jun. 7, 2022**

(54) **TENS DEVICE**  
(71) Applicant: **Raymond Hsu**, Shenzhen (CN)  
(72) Inventor: **Raymond Hsu**, Shenzhen (CN)  
(\*\*) Term: **15 Years**  
(21) Appl. No.: **29/752,618**  
(22) Filed: **Sep. 28, 2020**  
(51) **LOC (13) Cl.** ..... **28-03**  
(52) **U.S. Cl.**  
USPC ..... **D24/200**  
(58) **Field of Classification Search**  
USPC ..... D24/200, 214–215, 185–186, 165;  
D14/218  
CPC ..... A61N 1/04; A61N 1/0404; A61N 1/0456;  
A61N 1/06; A61N 1/08; A61N 1/32;  
A61N 1/36; A61N 1/36003; A61N  
1/36014; A61N 1/36017; A61N 1/36021;  
A61N 1/36057; A61N 1/36071; A61N  
1/36128  
See application file for complete search history.

9,020,599 B2 \* 4/2015 Rooney ..... A61N 1/36021  
607/46  
9,320,847 B2 \* 4/2016 Rooney ..... A61N 1/36021  
D802,780 S \* 11/2017 Hsu ..... D24/200  
D830,565 S \* 10/2018 Xu ..... D24/200  
D836,789 S \* 12/2018 Jiang ..... D24/200  
D927,004 S \* 8/2021 Peng ..... D24/200  
D932,637 S \* 10/2021 Hsu ..... D24/200

\* cited by examiner

*Primary Examiner* — Wan Laymon

(74) *Attorney, Agent, or Firm* — Alexander Chen, Esq.

(57) **CLAIM**

The ornamental design for a TENS device, as shown and described.

**DESCRIPTION**

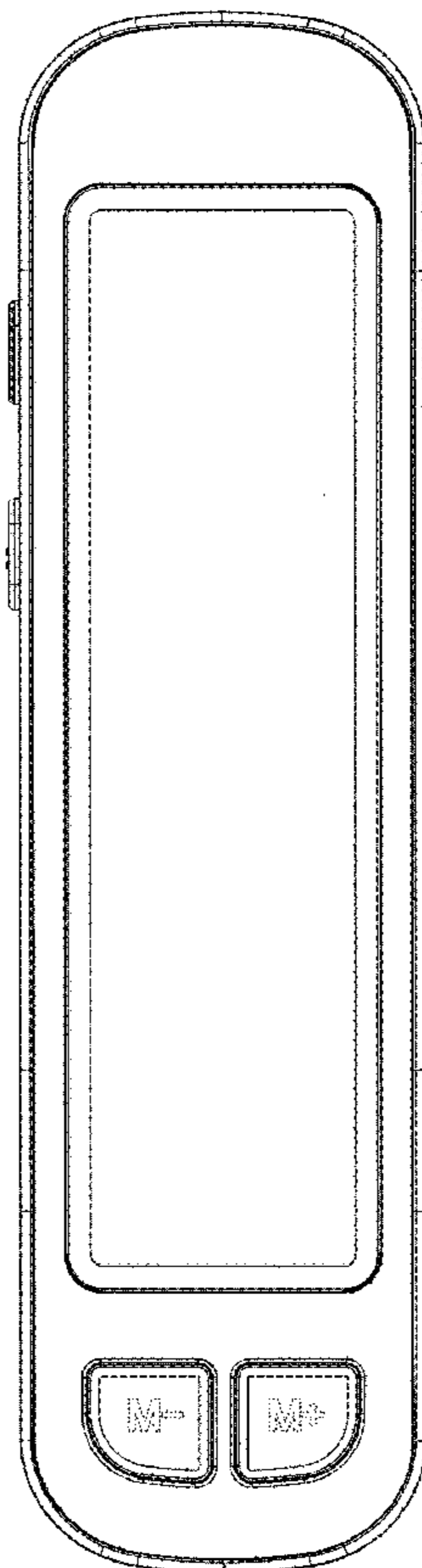
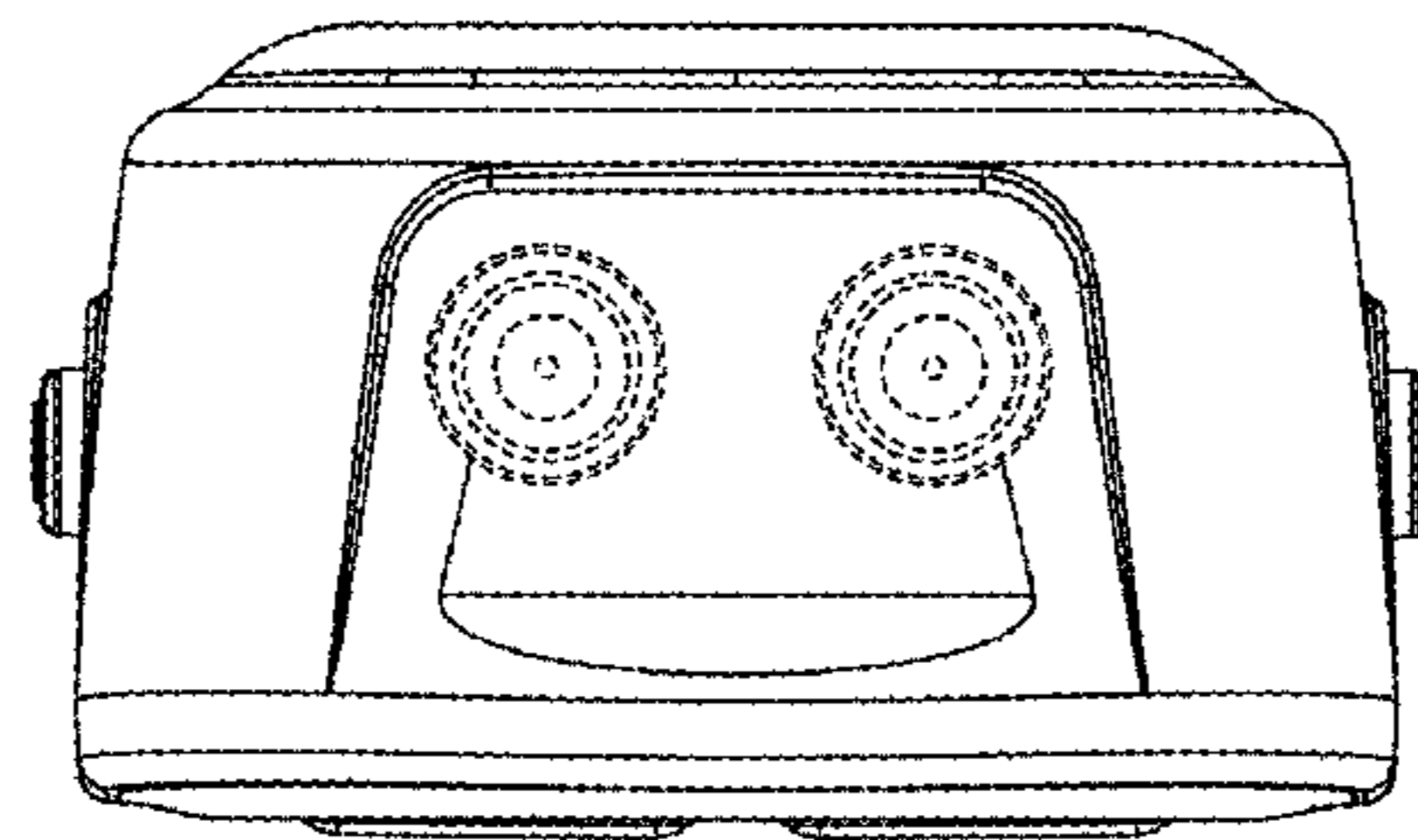
FIG. 1 is a top view of a TENS device;  
FIG. 2 is a side view thereof;  
FIG. 3 is a front view thereof;  
FIG. 4 is a bottom view thereof;  
FIG. 5 is a side view thereof; and,  
FIG. 6 is a back view thereof.  
The broken line in the drawings is included for the purpose of illustration portions of the TENS device and forms no part of the claimed design.

(56) **References Cited**

**U.S. PATENT DOCUMENTS**

8,160,694 B2 \* 4/2012 Salmon ..... A61N 1/37247  
607/2  
8,855,777 B2 \* 10/2014 King ..... A61N 1/36071  
607/46

**1 Claim, 6 Drawing Sheets**



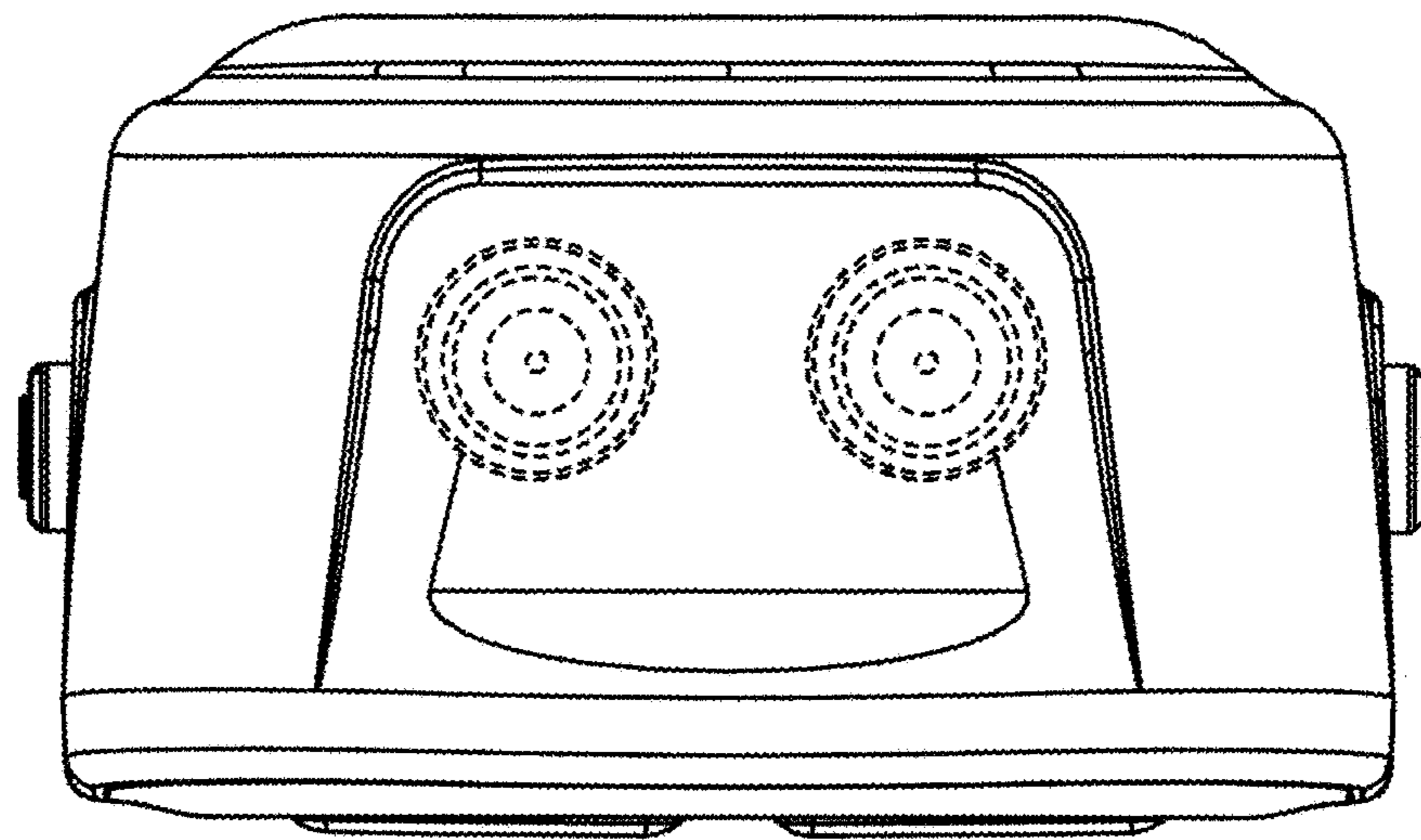


Fig. 1

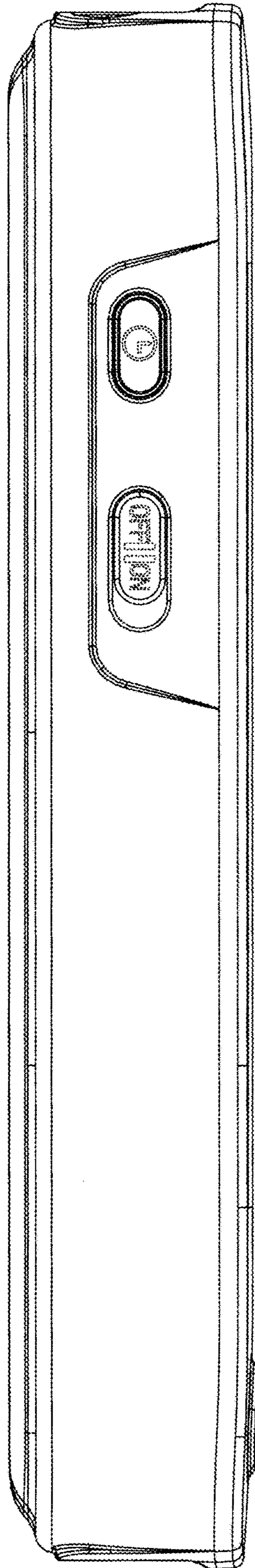


Fig. 2

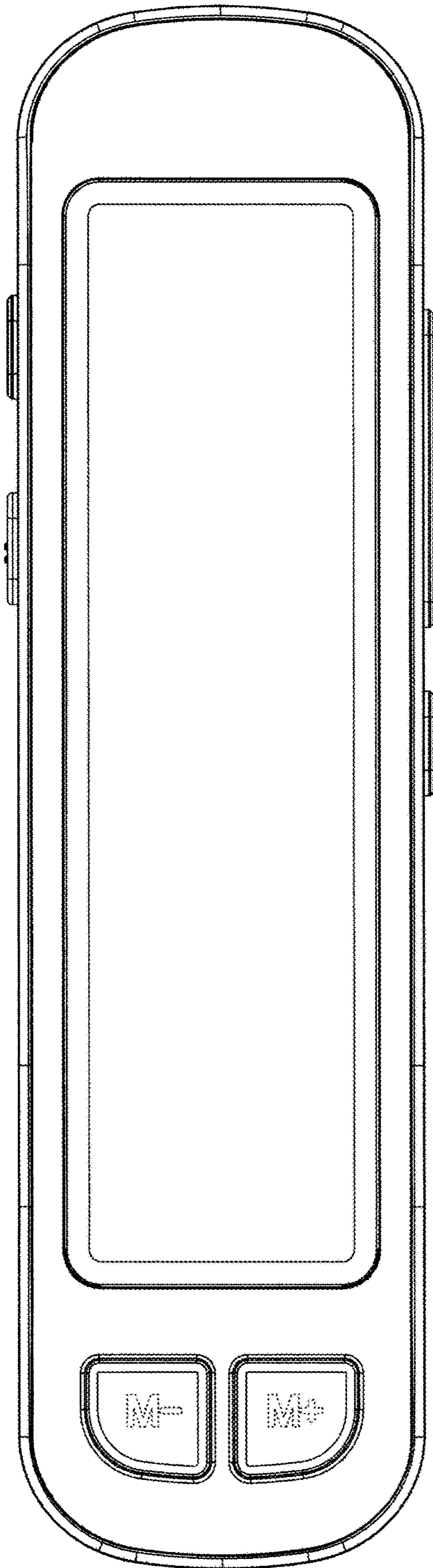


Fig. 3

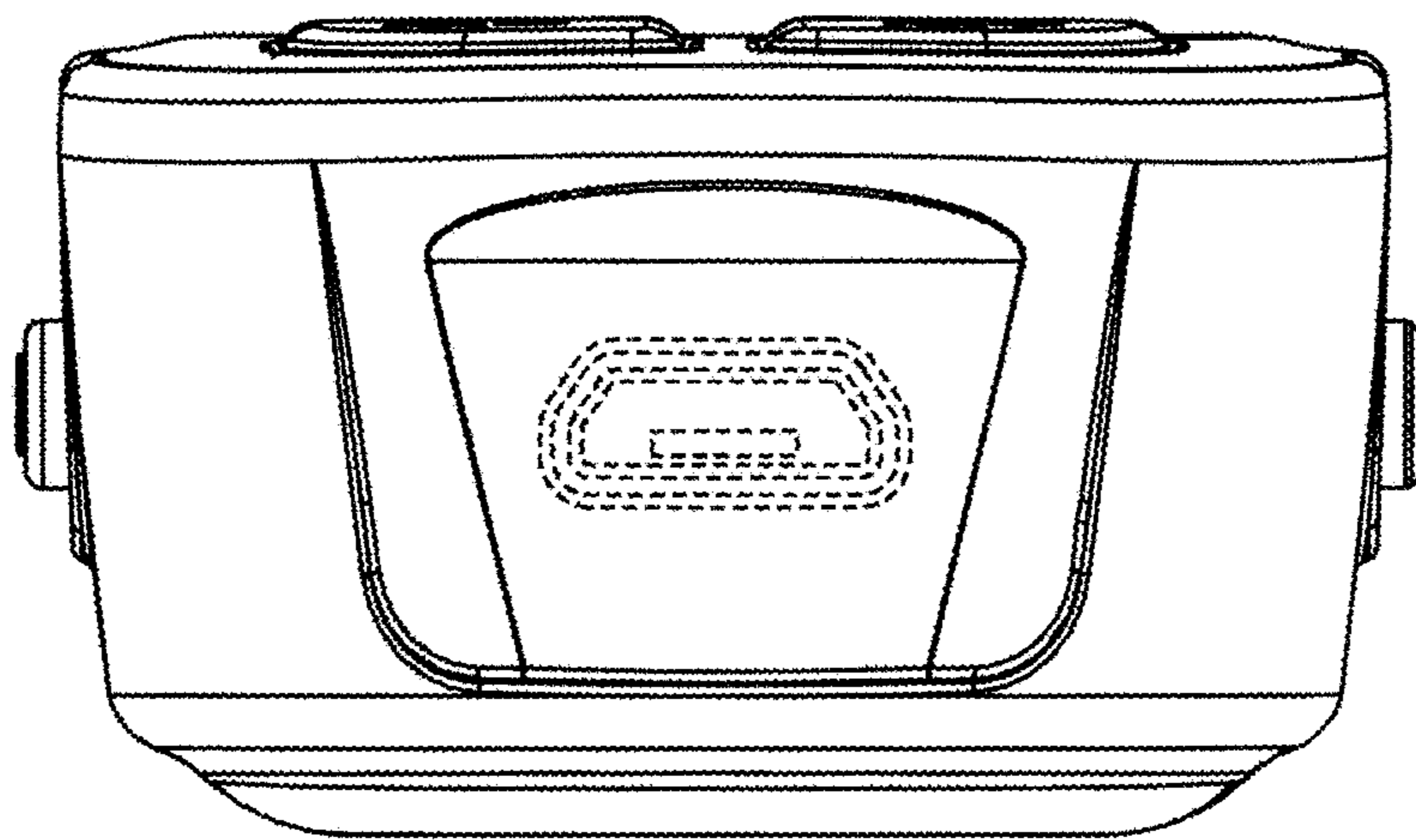


Fig. 4

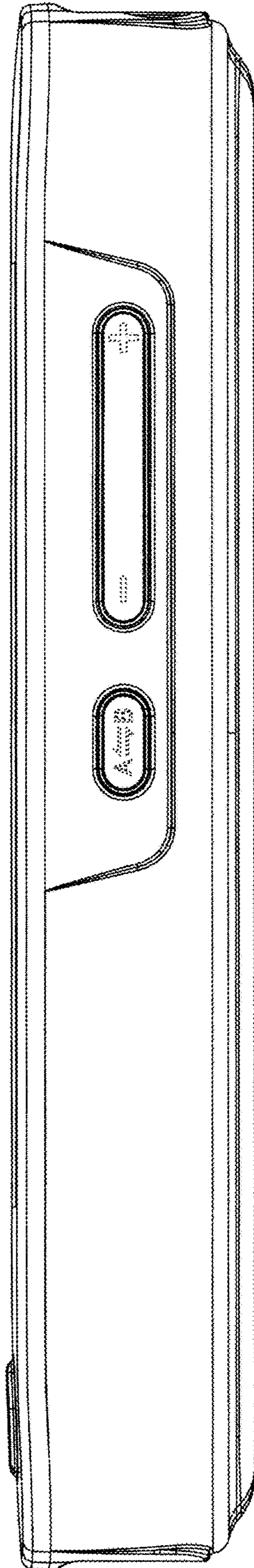


Fig. 5

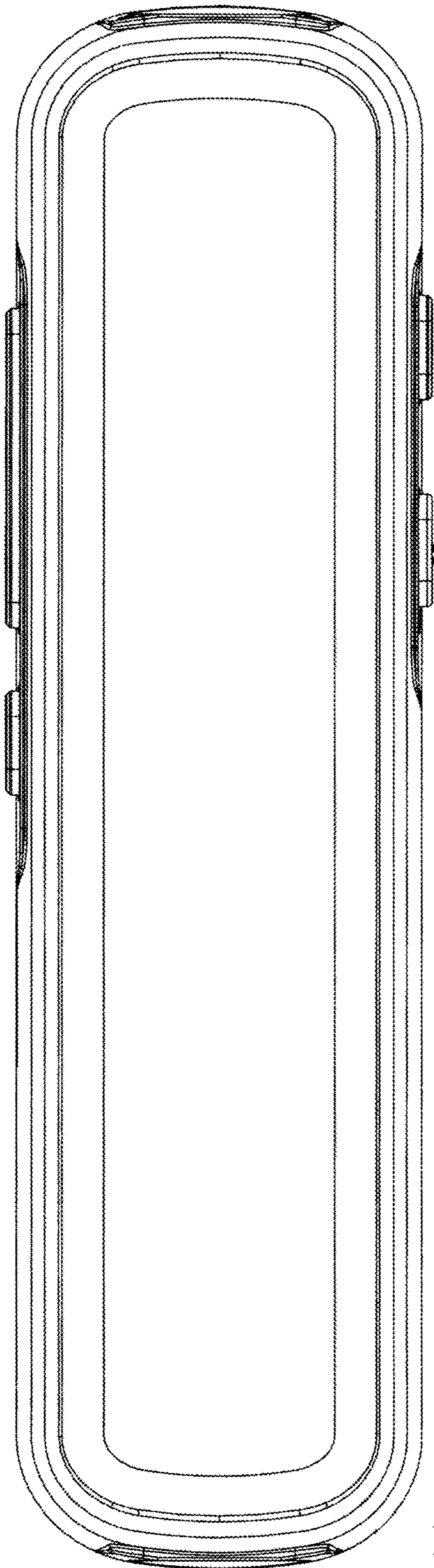


Fig. 6