



US00D954279S

(12) **United States Design Patent**
Lowsky et al.

(10) **Patent No.:** **US D954,279 S**
(45) **Date of Patent:** **** Jun. 7, 2022**

- (54) **ORAL-MOTOR THERAPY TOOL**
- (71) Applicant: **ARK Therapeutic Services, Inc.**,
Columbia, SC (US)
- (72) Inventors: **Rebecca E. Lowsky**, Columbia, SC
(US); **Debra C. Lowsky**, Columbia, SC
(US)
- (73) Assignee: **ARK Therapeutic Services, Inc.**,
Columbia, SC (US)
- (**) Term: **15 Years**
- (21) Appl. No.: **29/736,659**
- (22) Filed: **Jun. 2, 2020**
- (51) **LOC (13) Cl.** **24-04**
- (52) **U.S. Cl.**
USPC **D24/194; D24/110.5**
- (58) **Field of Classification Search**
USPC D24/110.5, 193, 194, 195, 199, 214;
D29/118, 122; D30/154, 160; D4/104,
D4/107; D2/614; D21/576, 584, 596,
D21/604, 611, 630, 643, 684, 725;
D11/81
CPC A61J 17/02; A61J 17/001; A61J 17/111;
A61J 17/1115; A61J 17/1111; A61J
9/005; A46B 15/0097; A63B 23/032;
B60N 2/28; B60N 2/26
See application file for complete search history.

D721,439 S * 1/2015 Swartz D24/194
D722,384 S * 2/2015 Kuneyl D24/194
D883,493 S * 5/2020 Wallis D24/176
(Continued)

OTHER PUBLICATIONS

“ARK Therapeutic: Jumbo Chew Pendant Pack”. Found online Jul. 11, 2019 at arktherapeutic.com. Reference dated May 15, 2018. Retrieved from www.arktherapeutic.com/jumbo-chew-pack/*
(Continued)

Primary Examiner — Kendra Leslie Hamilton
(74) *Attorney, Agent, or Firm* — Nelson Mullins Riley & Scarborough LLP

(57) **CLAIM**

The ornamental design for an oral-motor therapy tool, substantially as shown and described.

DESCRIPTION

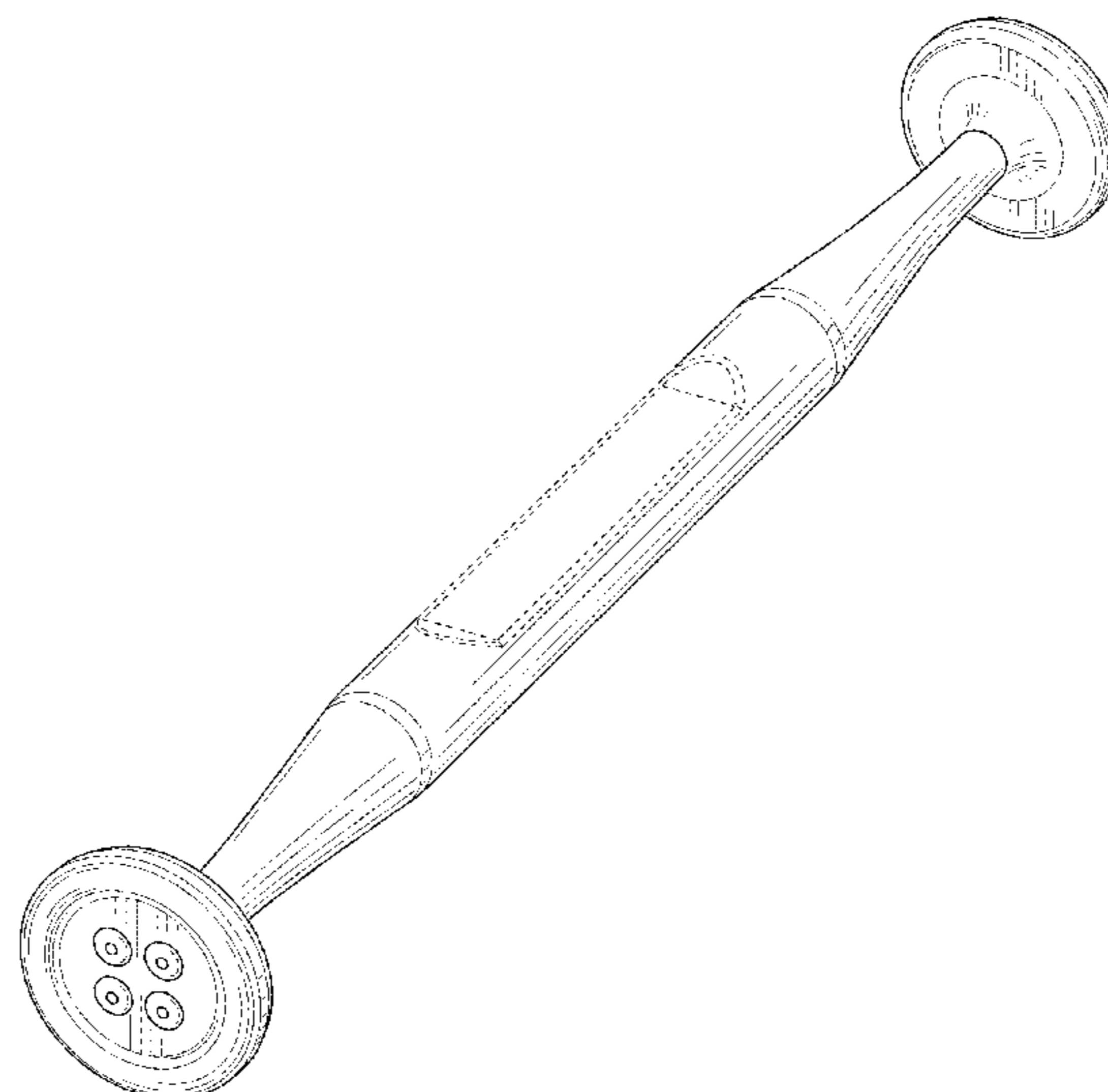
FIG. 1 is a top, front, left perspective view of a first embodiment of an oral-motor therapy tool, showing our new design;
FIG. 2 is a left side elevation view thereof;
FIG. 3 is a right side elevation view thereof;
FIG. 4 is a rear elevation view thereof;
FIG. 5 is a front elevation view thereof;
FIG. 6 is a top plan view thereof;
FIG. 7 is a bottom plan view thereof;
FIG. 8 is a top, front, left perspective view of a second embodiment of the oral-motor therapy tool;
FIG. 9 is a left side elevation view thereof;
FIG. 10 is a right side elevation view thereof;
FIG. 11 is a rear elevation view thereof;
FIG. 12 is a front elevation view thereof;
FIG. 13 is a top plan view thereof; and,
FIG. 14 is a bottom plan view thereof.
The areas inside the dashed lines in FIGS. 1-3, 6-10, and 13-14 form no part of the claimed design.

1 Claim, 8 Drawing Sheets

(56) **References Cited**

U.S. PATENT DOCUMENTS

- D273,990 S * 5/1984 Lamsam D21/468
- 5,263,976 A * 11/1993 Williams A61F 5/566
606/235
- D404,137 S * 1/1999 Underwood D24/194
- D636,949 S * 4/2011 Axelrod D30/160
- D650,083 S * 12/2011 Sharp D24/194
- D682,436 S * 5/2013 Lowsky D24/194



(56)

References Cited

U.S. PATENT DOCUMENTS

2005/0080456 A1* 4/2005 Sanbrook A61J 17/02
606/235
2006/0102099 A1* 5/2006 Edwards A01K 15/026
119/710
2007/0209171 A1* 9/2007 Harper A01N 1/00
27/25.1
2014/0243895 A1* 8/2014 Kellogg A63H 33/006
606/235

OTHER PUBLICATIONS

“ARK Therapeutic: Mini Tip”. Found online Nov. 17, 2016 at helpthemshine.com. Reference dated Mar. 9, 2015. Retrieved from web.archive.org/web/20150309085150/http://www.helpthemshine.com/shop/adaptive-products/arks-mini-tip/.*

“ChewNoodle: Blue Noodle”. Found online Nov. 17, 2016 at amazon.com. Reference dated Feb. 21, 2013. Retrieved from www.amazon.com/Chewnoodle-Chew-Noodle-Blue/dp/B004IL8MES/ref=cm_cr_ar_p_d_product_top?ie=UTF8.*

“ARK Therapeutic: Tetra-Bite Chewy Fidget (large)”. Found online May 10, 2021 at instagram.com. Reference dated Nov. 15, 2019. Retrieved from www.instagram.com/p/B458I08gr6e/.*
Instagram post by [arktherapeutic](https://www.instagram.com/arktherapeutic/), published at <https://www.instagram.com/p/CCd8T6whvof/> on Jul. 10, 2020.

* cited by examiner

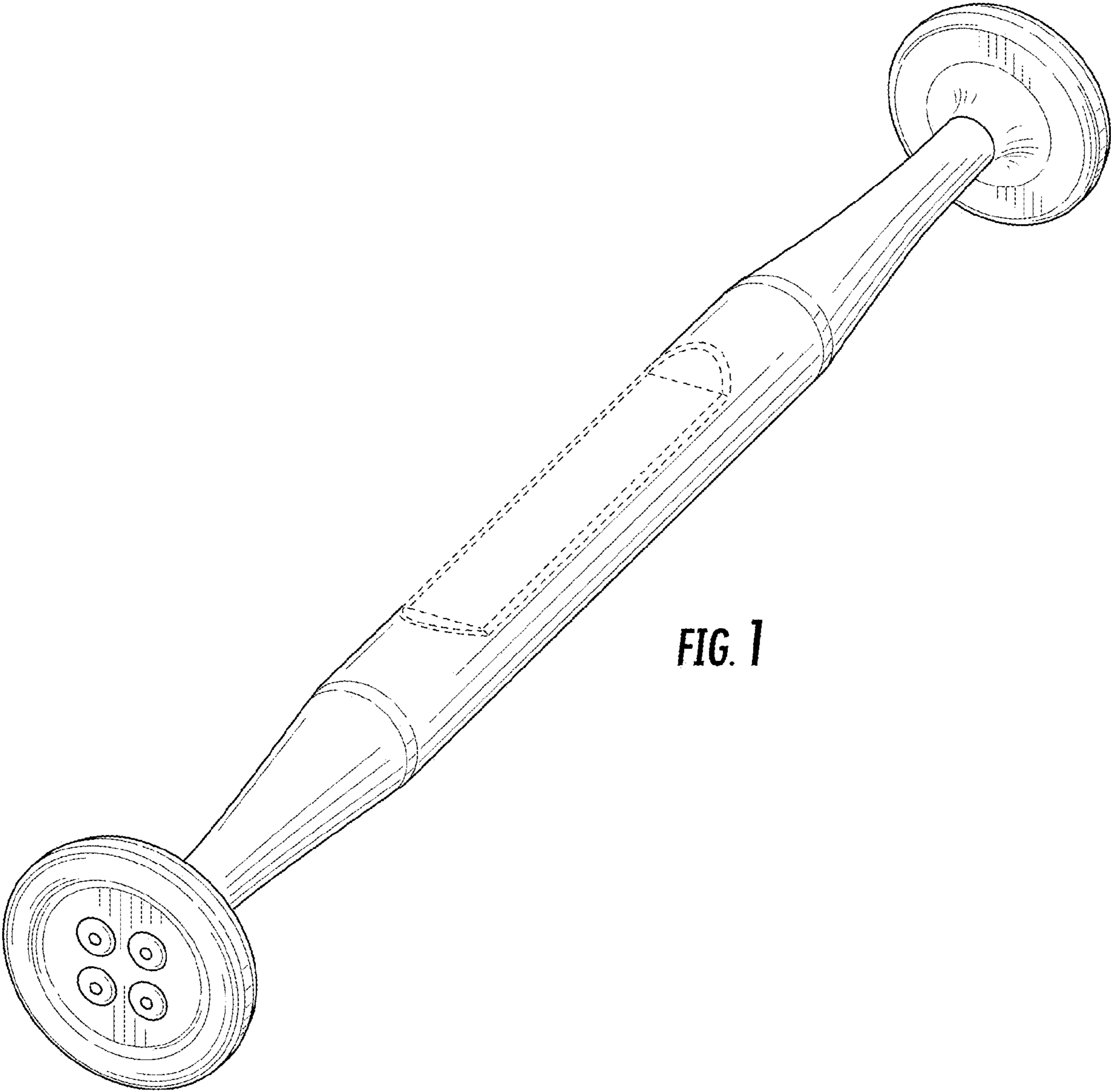


FIG. 1

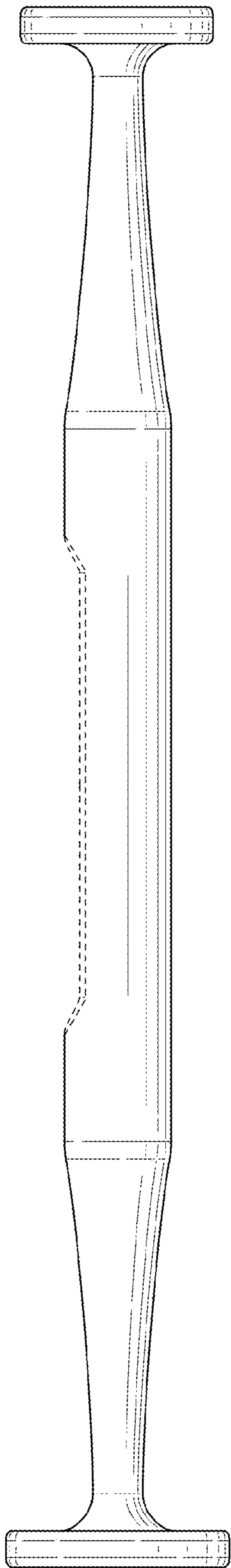


FIG. 2

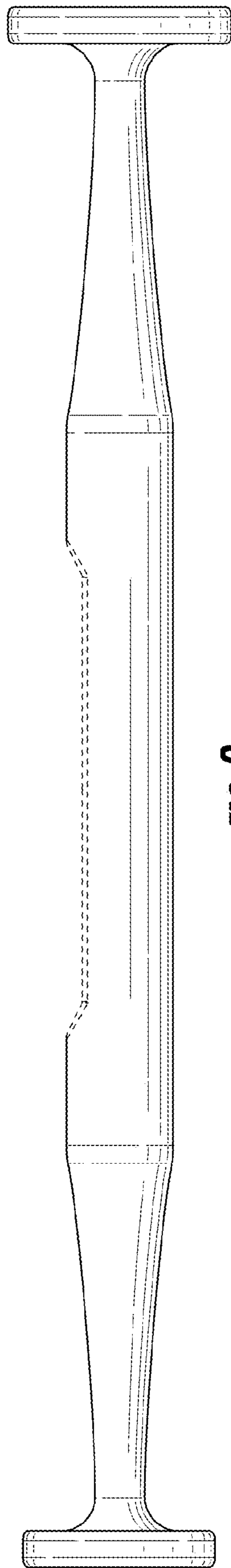


FIG. 3

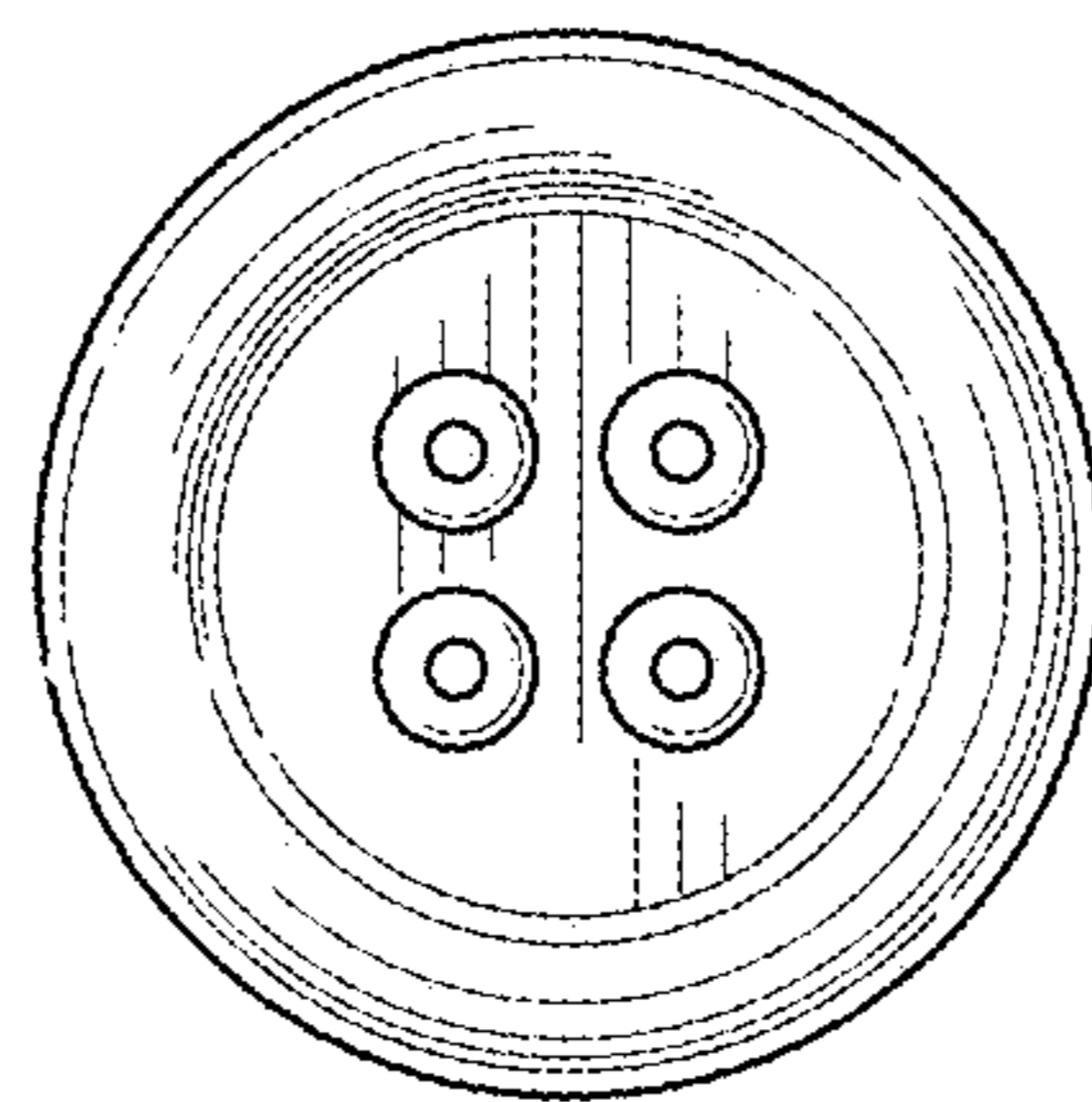


FIG. 4

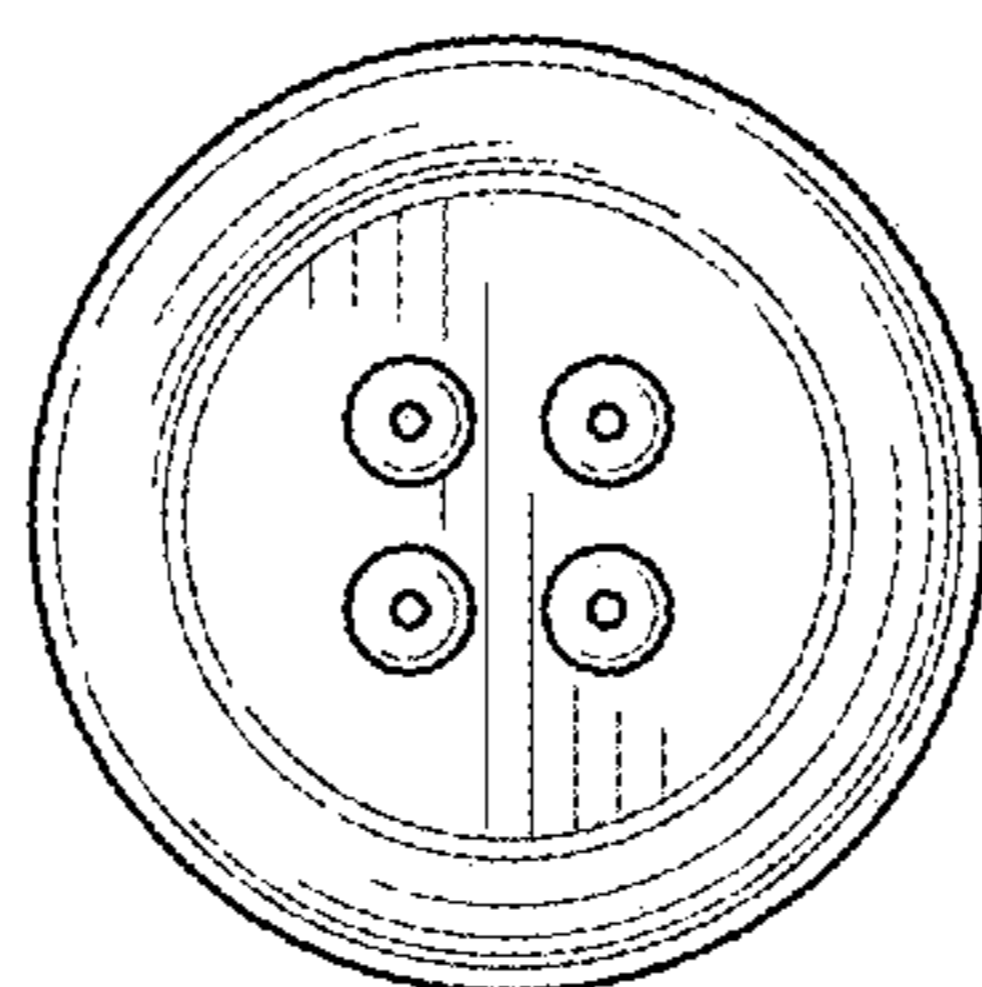


FIG. 5

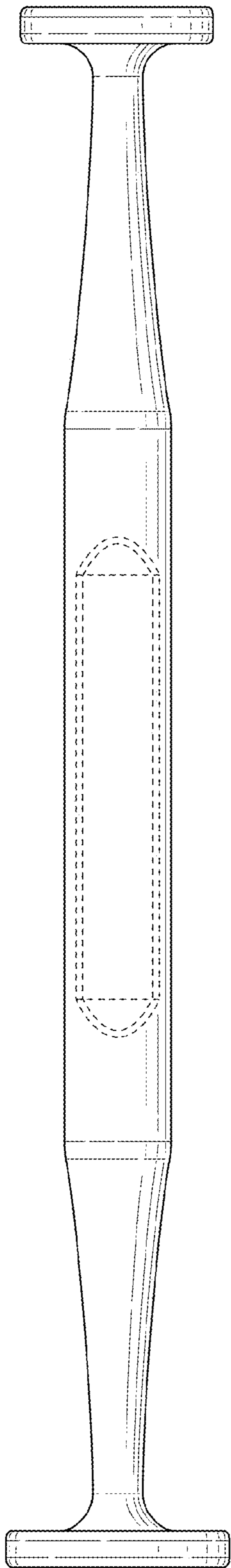


FIG. 6

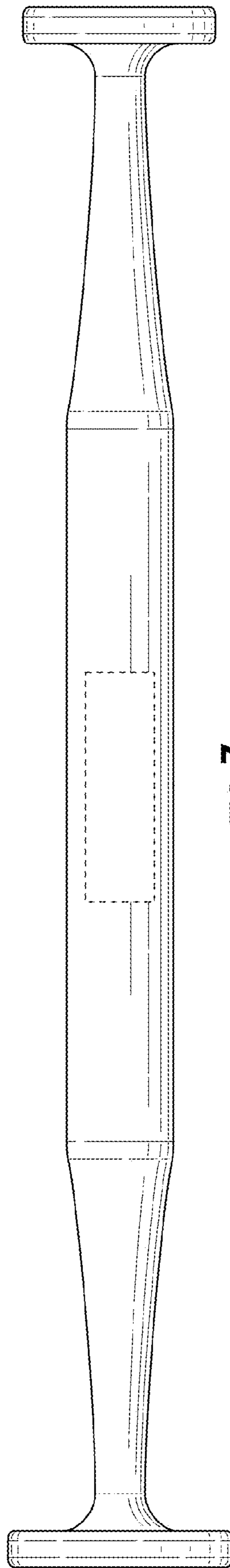


FIG. 7

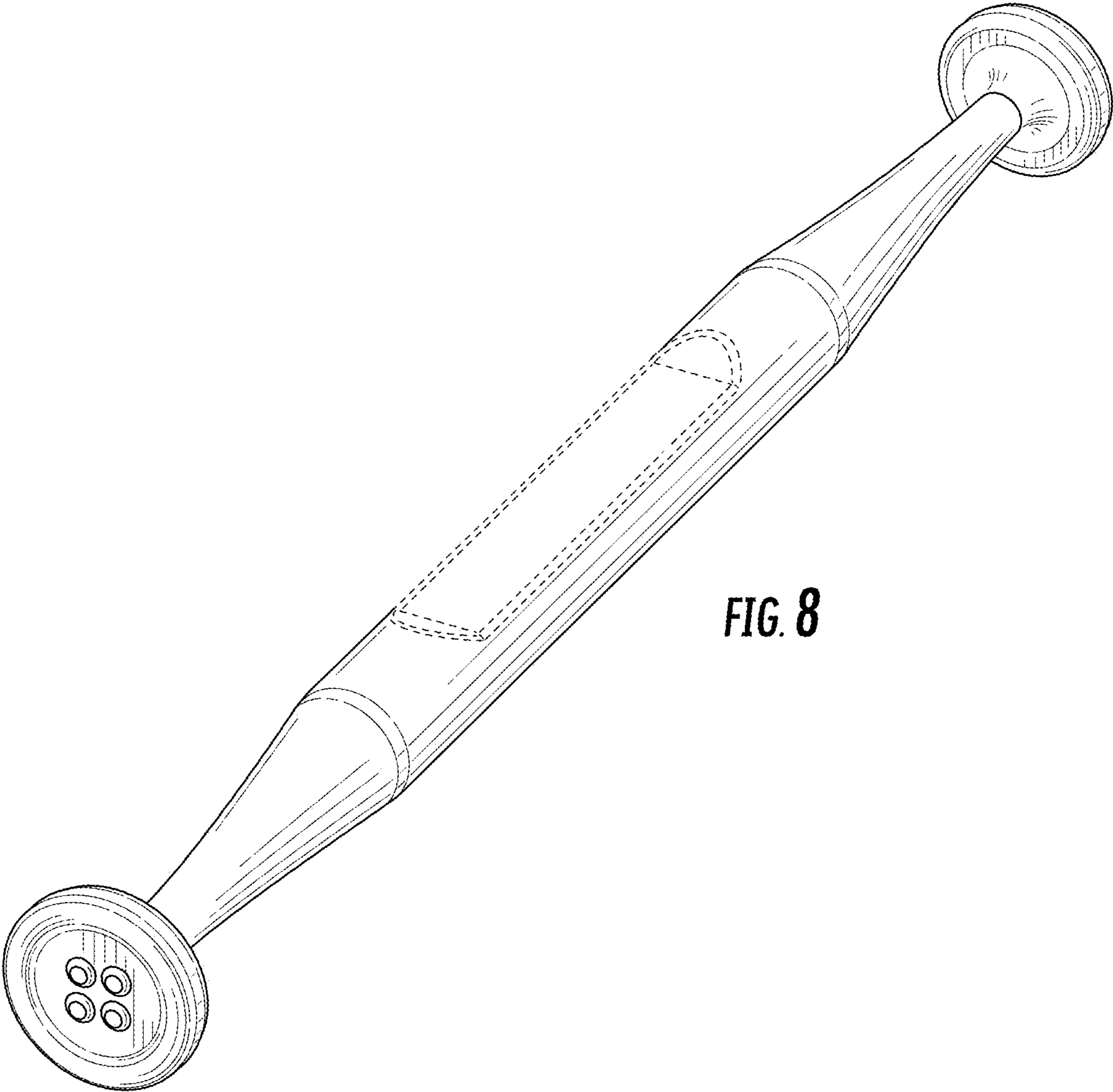


FIG. 8

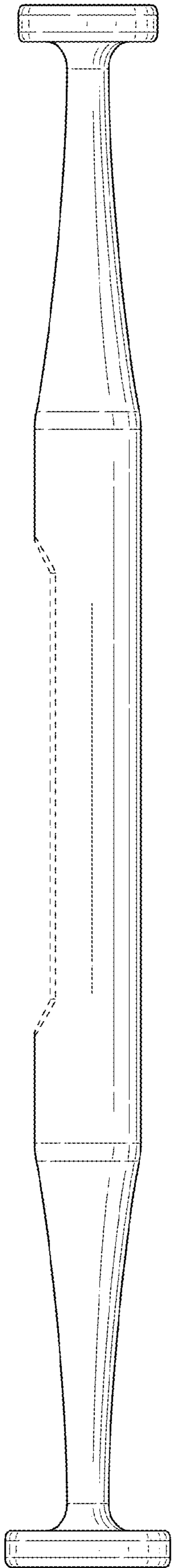


FIG. 9

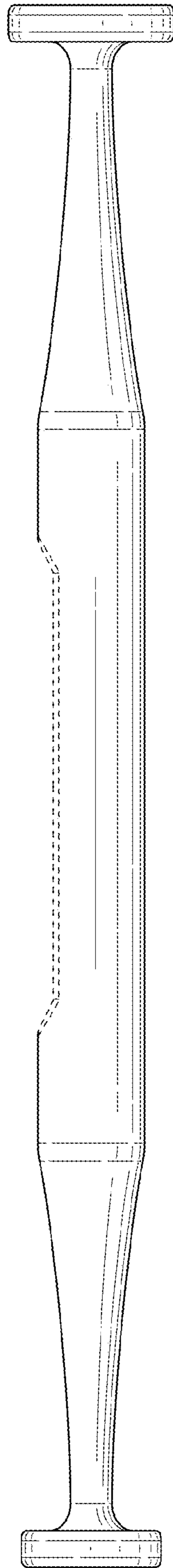


FIG. 10

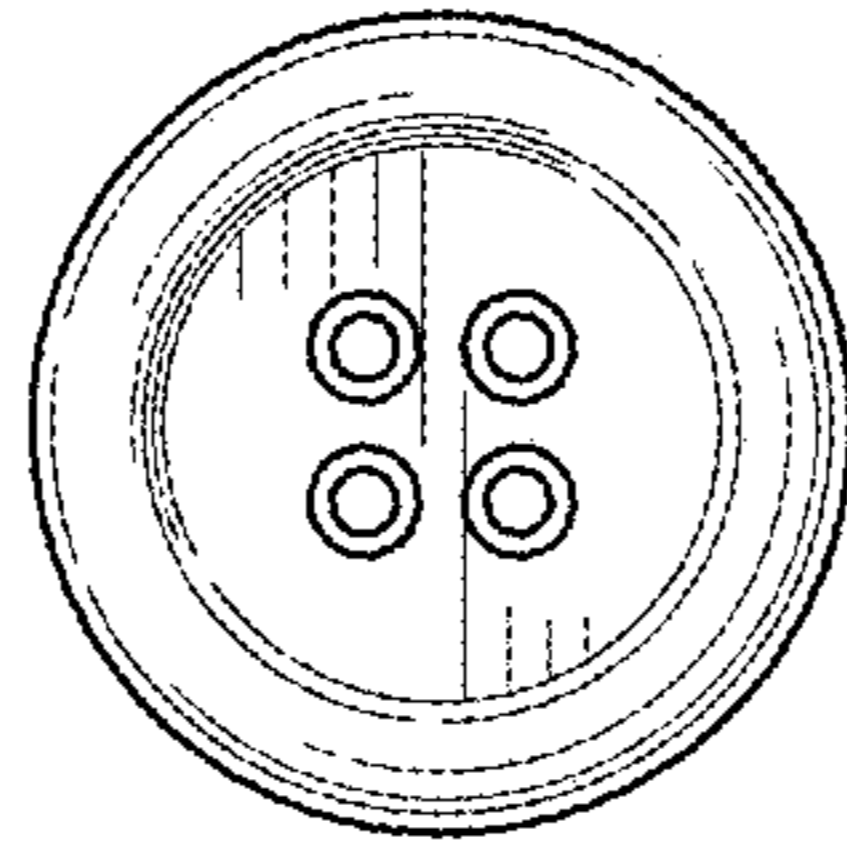


FIG. 11

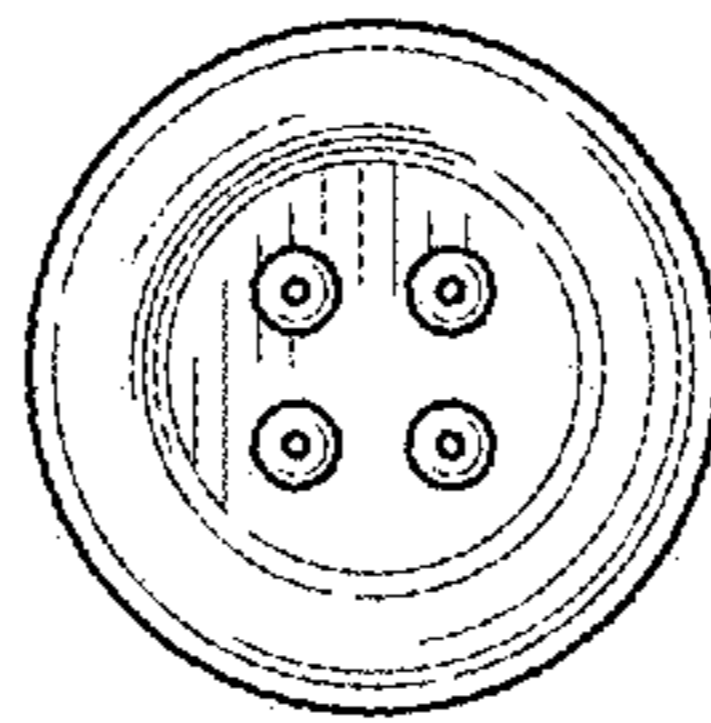


FIG. 12

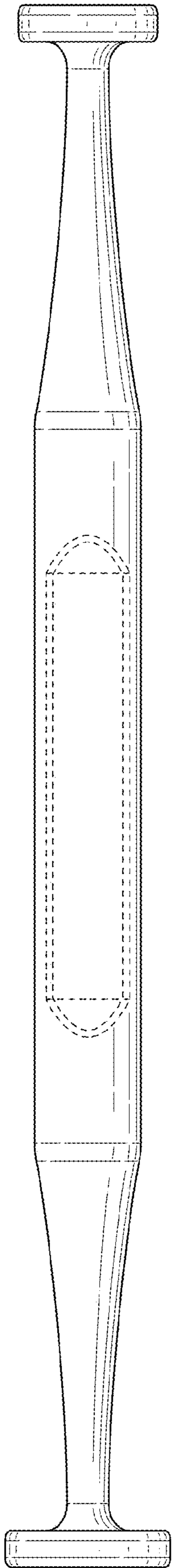


FIG. 13

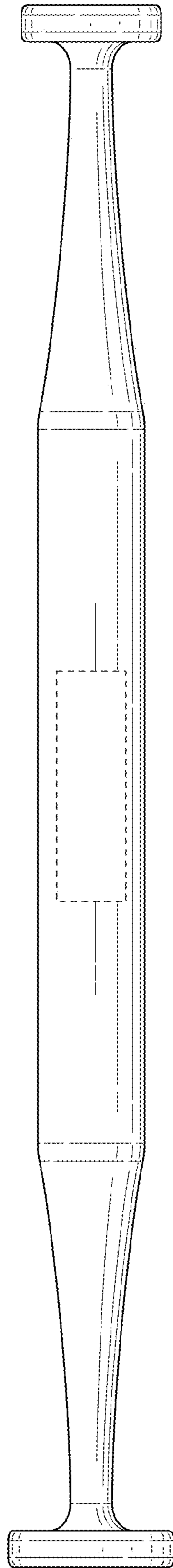


FIG. 14