



US00D954278S

(12) **United States Design Patent**  
**Simon**

(10) **Patent No.:** **US D954,278 S**  
(45) **Date of Patent:** **\*\* Jun. 7, 2022**

(54) **PACIFIER**

(71) Applicant: **Hannah Simon**, Church Point, LA (US)

(72) Inventor: **Hannah Simon**, Church Point, LA (US)

(\*\*) Term: **15 Years**

(21) Appl. No.: **29/734,058**

(22) Filed: **May 8, 2020**

(51) **LOC (13) Cl.** ..... **24-04**

(52) **U.S. Cl.**  
USPC ..... **D24/194**

(58) **Field of Classification Search**  
USPC ..... D24/115, 117, 193, 194, 195, 196, 214;  
D30/160; D21/496, 576, 622, 625, 627,  
D21/628, 650, 659

CPC ..... A61J 17/001; A61J 17/02  
See application file for complete search history.

(56) **References Cited**

**U.S. PATENT DOCUMENTS**

D194,769 S	3/1963	Moffat	
3,267,937 A	8/1966	Verschoor	
3,669,117 A	6/1972	Herbst	
3,825,014 A	7/1974	Wroten	
D245,335 S *	8/1977	Meeker	D24/194
D248,317 S	6/1978	Meeker et al.	
4,143,452 A *	3/1979	Hakim	A61J 17/10 29/434
D267,116 S	11/1982	Bubelis	
D273,991 S *	5/1984	Moore	D24/194
5,108,423 A *	4/1992	Lu	G01K 13/20 606/234
D330,938 S *	11/1992	Sakashita	D24/196
D380,836 S	7/1997	Fitzpatrick et al.	
D439,983 S *	4/2001	Dealing	D24/194
D450,126 S	11/2001	Fitzpatrick et al.	
D477,411 S *	7/2003	Kroepel	D24/194
6,905,507 B2	6/2005	Hinshaw	
D541,422 S	4/2007	Pils et al.	

D547,456 S	7/2007	Ramos et al.	
D574,963 S *	8/2008	Kliegman	D24/194
D594,559 S	6/2009	Kliegman et al.	
RE43,730 E	10/2012	Pils et al.	
D668,767 S *	10/2012	Stephan	D24/196
D671,224 S	11/2012	Paul	
D674,496 S	1/2013	Roehrig et al.	
D686,331 S	7/2013	Dussere	
D690,427 S	9/2013	Granillo et al.	

(Continued)

**OTHER PUBLICATIONS**

“Dr. Brown’s: HappyPaci Pacifier”. Found online Apr. 20, 2020 at amazon.com. Reference dated Apr. 22, 2015. Retrieved from <https://www.amazon.com/Dr-Browns-HappyPaci-Silicone-Pacifier/dp/B015XBXJCG/>.\*

(Continued)

*Primary Examiner* — Kendra Leslie Hamilton

(74) *Attorney, Agent, or Firm* — Greg Mier

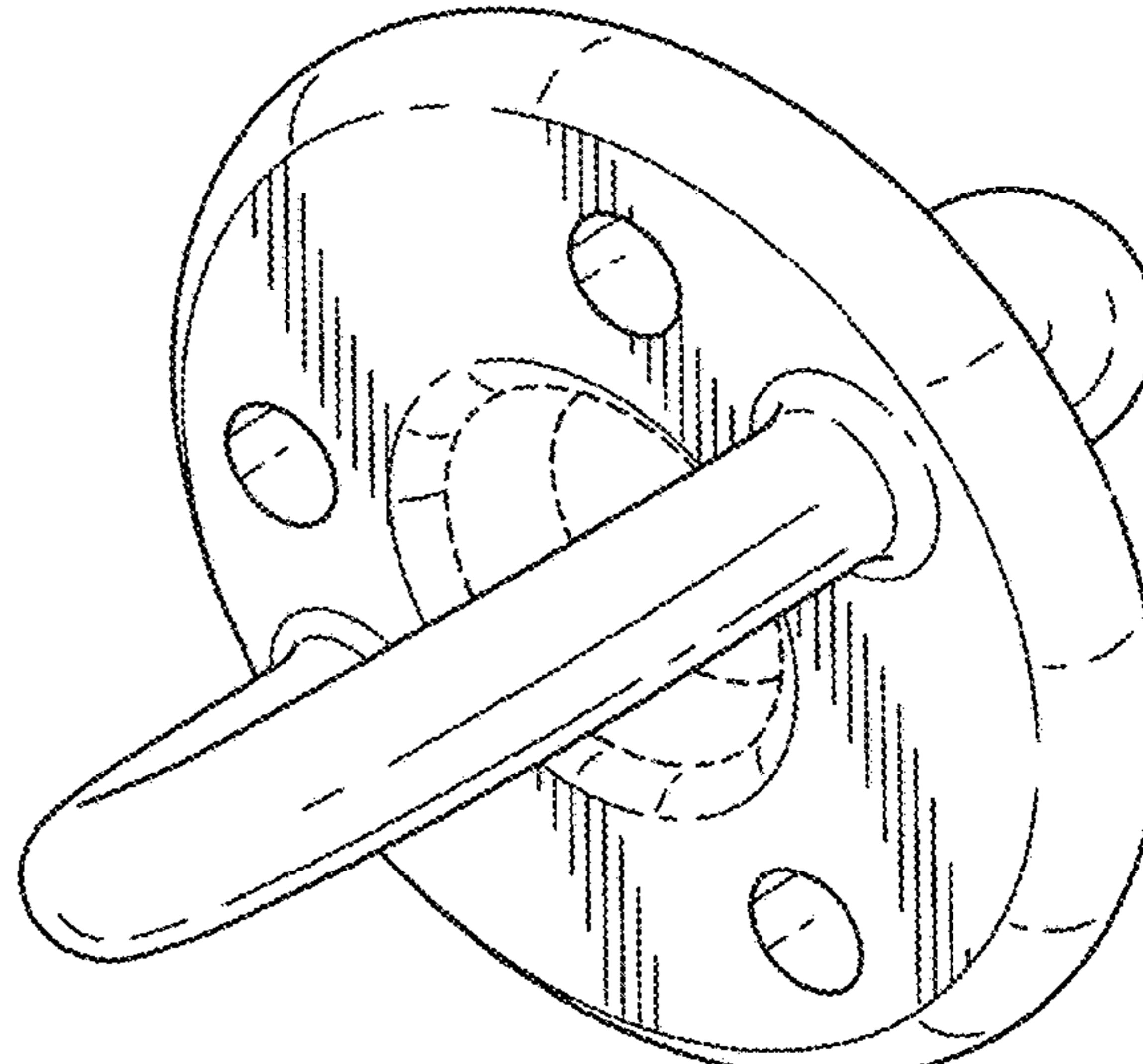
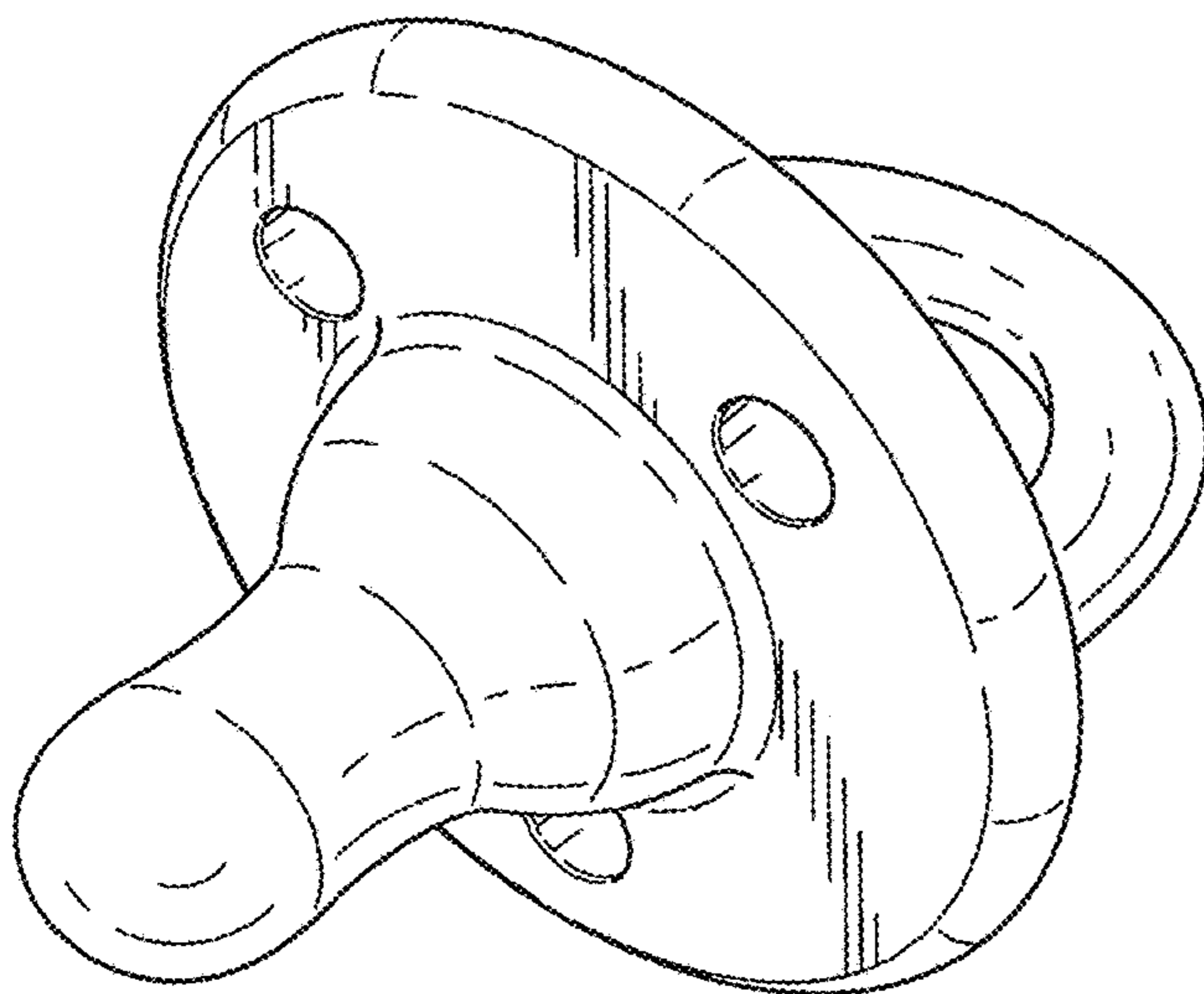
(57) **CLAIM**

The ornamental design for a pacifier, as shown and described.

**DESCRIPTION**

FIG. 1 is a top, front, right perspective view of a pacifier showing my new design;  
FIG. 2 is a top, rear, left perspective view thereof;  
FIG. 3 is a front elevation view thereof;  
FIG. 4 is a rear elevation view thereof;  
FIG. 5 is a top plan view thereof;  
FIG. 6 is a bottom plan view thereof;  
FIG. 7 is a right side elevation view thereof; and,  
FIG. 8 is a left side elevation view thereof.  
The equal-length broken lines in the drawings depict portions of the pacifier that form no part of the claimed design.

**1 Claim, 4 Drawing Sheets**



(56)

**References Cited**

U.S. PATENT DOCUMENTS

D690,823 S 10/2013 D'Alesio  
 D691,277 S 10/2013 McCarty  
 8,545,537 B2 10/2013 Murphy Matro  
 8,636,768 B2 1/2014 Rohrig  
 D700,344 S 2/2014 Jackson-Berry  
 D709,616 S \* 7/2014 Hoffman ..... D24/194  
 8,834,525 B2 9/2014 Thornton et al.  
 D719,268 S 12/2014 Recht et al.  
 9,028,531 B2 5/2015 Rohrig  
 D737,455 S 8/2015 D'Alesio  
 D739,032 S 9/2015 Recht et al.  
 9,144,532 B1 9/2015 Renner et al.  
 9,198,836 B1 12/2015 Akinyelure  
 D748,811 S 2/2016 Lee  
 D767,152 S 9/2016 Hakim  
 D771,267 S 11/2016 D'Alesio  
 9,585,815 B2 3/2017 Tesini et al.  
 D792,599 S 7/2017 D'Alesio  
 9,814,654 B2 11/2017 Saxton  
 D826,413 S 8/2018 Eaton et al.  
 D836,207 S 12/2018 Kim  
 D840,044 S 2/2019 Rard et al.  
 10,195,118 B2 2/2019 Eerden  
 10,285,912 B2 5/2019 Molina et al.  
 D857,905 S \* 8/2019 Sandberg ..... D24/194  
 D861,886 S 10/2019 Kubelka et al.  
 D862,714 S 10/2019 Eaton et al.

10,463,578 B2 11/2019 Evans et al.  
 10,493,002 B2 12/2019 Chan et al.  
 D872,290 S 1/2020 Roehrig  
 10,555,876 B1 2/2020 Samandari  
 10,596,075 B2 3/2020 Uitbeijerse  
 10,603,249 B2 3/2020 Fang et al.  
 D883,501 S 5/2020 Ghuman  
 2003/0083696 A1 5/2003 Avital  
 2004/0055987 A1 \* 3/2004 Paige ..... A61J 7/0053  
 215/11.1  
 2009/0248074 A1 10/2009 Kliegman et al.  
 2017/0326037 A1 \* 11/2017 Molina ..... A61J 17/001

OTHER PUBLICATIONS

“Hevea: BumiBébé Round Pacifiers”. Found online Sep. 29, 2021 at [heveaplanet.com](https://web.archive.org/web/20201203195943/https://heveaplanet.com/products/bumi-bebe-pacifier-2-pack-pink-rose). Reference dated Dec. 3, 2020. Retrieved from <https://web.archive.org/web/20201203195943/https://heveaplanet.com/products/bumi-bebe-pacifier-2-pack-pink-rose>.  
 “Ryan & Rose: Cutie PAT Pacifier (Stage 1)”. Found online Jul. 11, 2019 at [amazon.com](https://www.amazon.com/Ryan-Rose-All-One-Massaging/dp/B07C3C7L4C/ref=cm_cr_arp_d_product_top?ie=UTF8&th=1). Reference dated Jun. 6, 2018. Retrieved from [https://www.amazon.com/Ryan-Rose-All-One-Massaging/dp/B07C3C7L4C/ref=cm\\_cr\\_arp\\_d\\_product\\_top?ie=UTF8&th=1](https://www.amazon.com/Ryan-Rose-All-One-Massaging/dp/B07C3C7L4C/ref=cm_cr_arp_d_product_top?ie=UTF8&th=1).  
 “ADISC.org: Thread—Guide to Pacifiers”. Found online Dec. 6, 2016 at [adisc.org](http://www.adisc.org/forum/showthread.php/83336-Guide-to-Pacifiers). Reference dated Mar. 3, 2014. Retrieved from <http://www.adisc.org/forum/showthread.php/83336-Guide-to-Pacifiers>.

\* cited by examiner

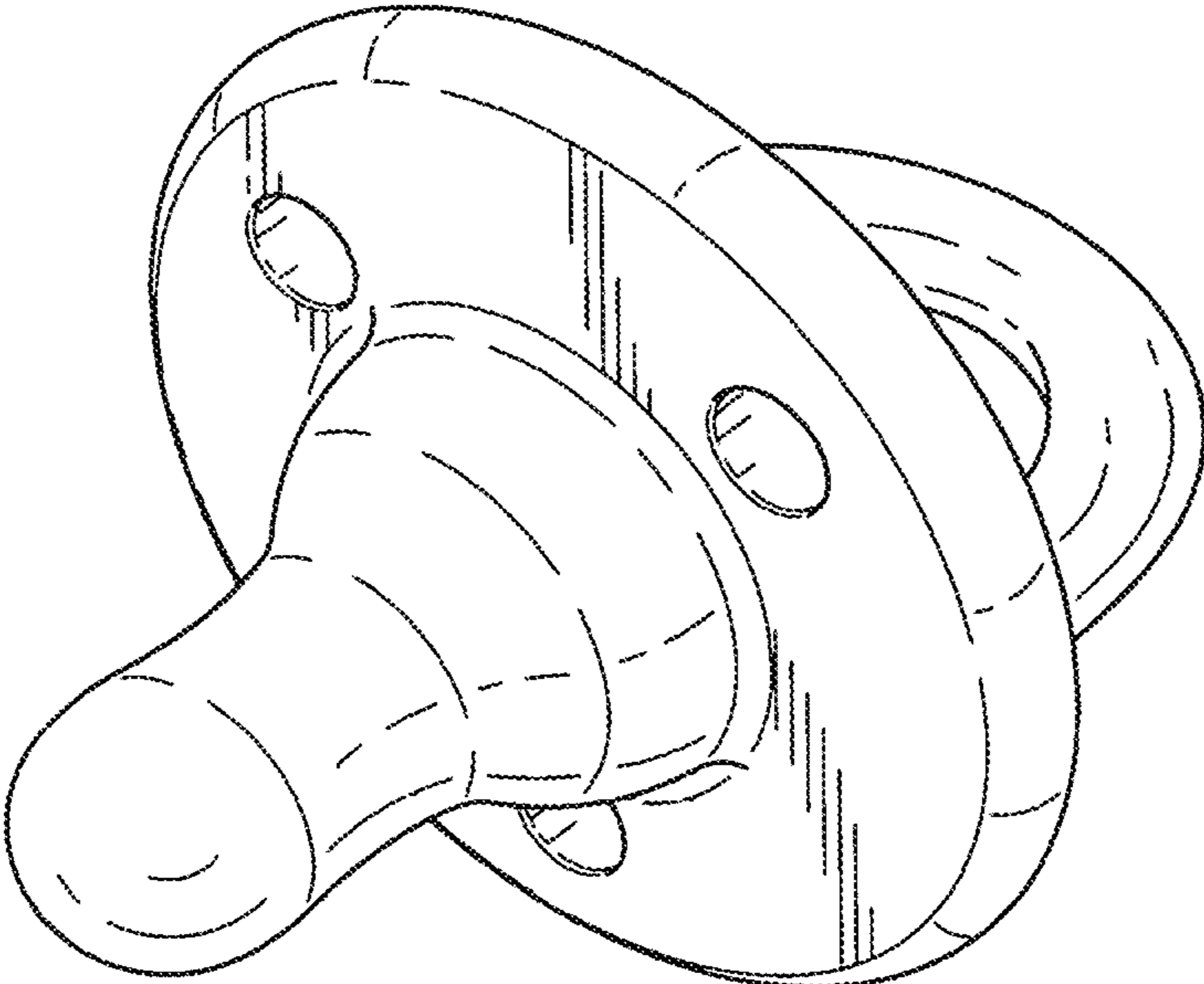


FIG. 1

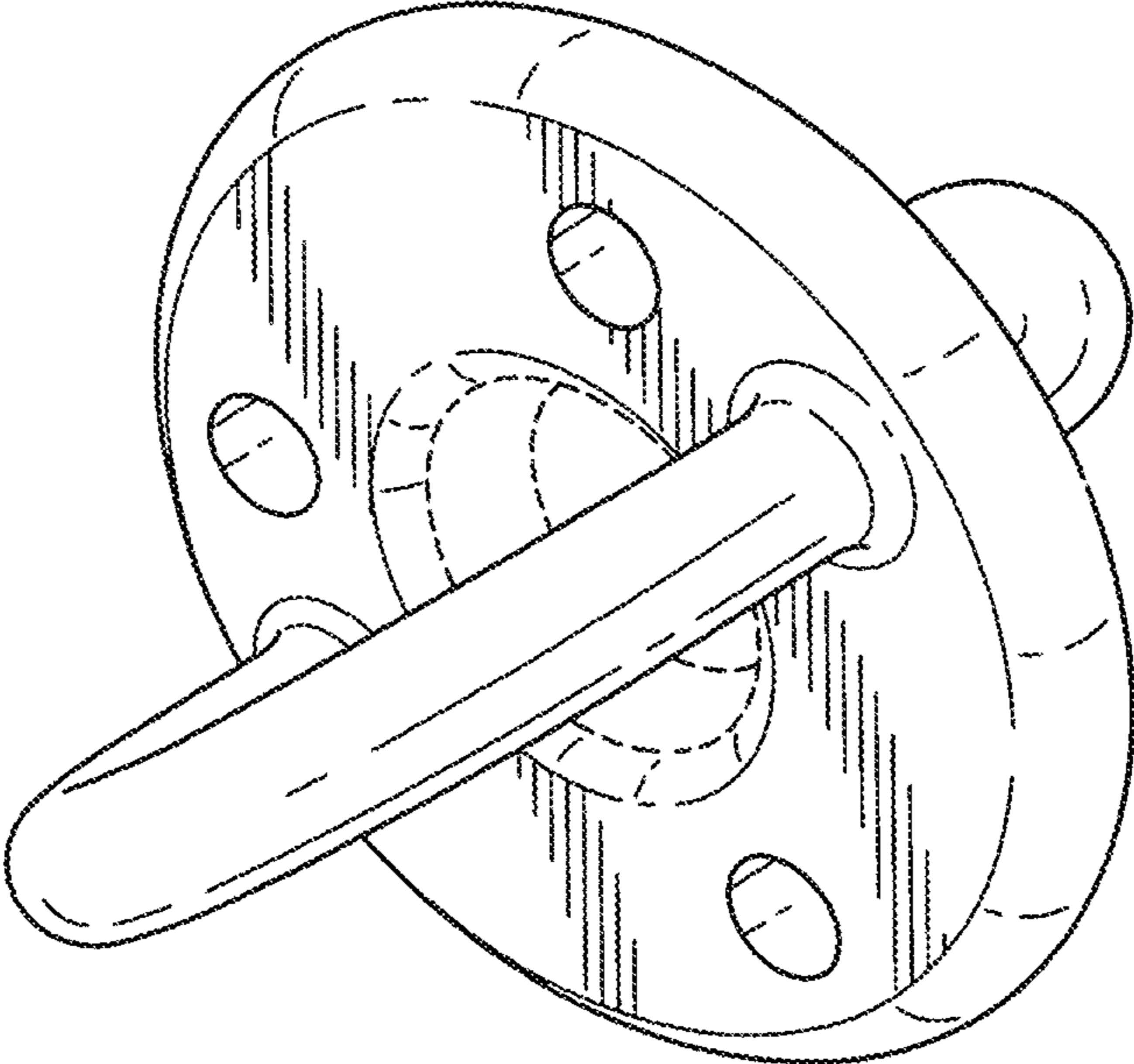


FIG. 2

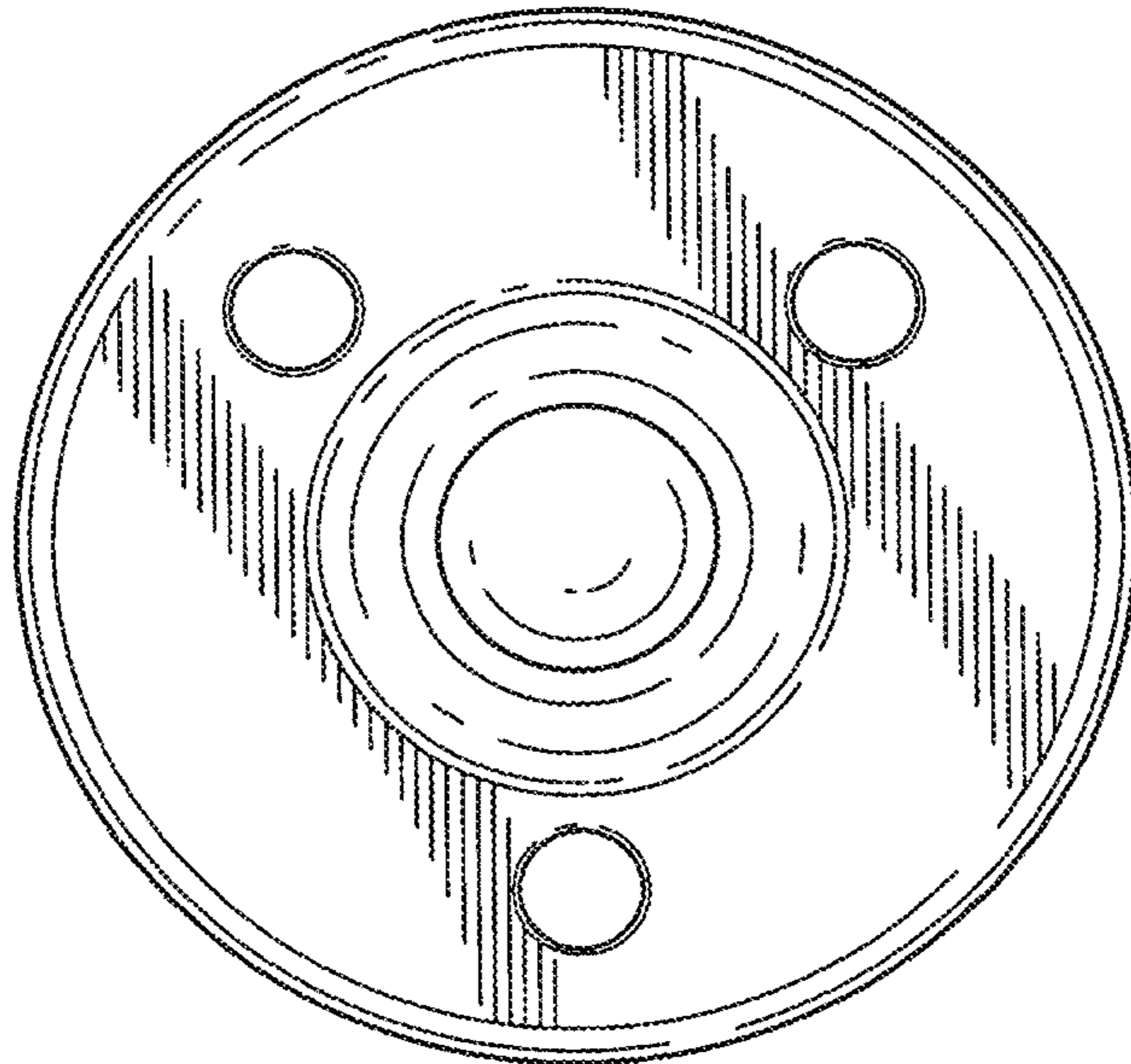


FIG. 3

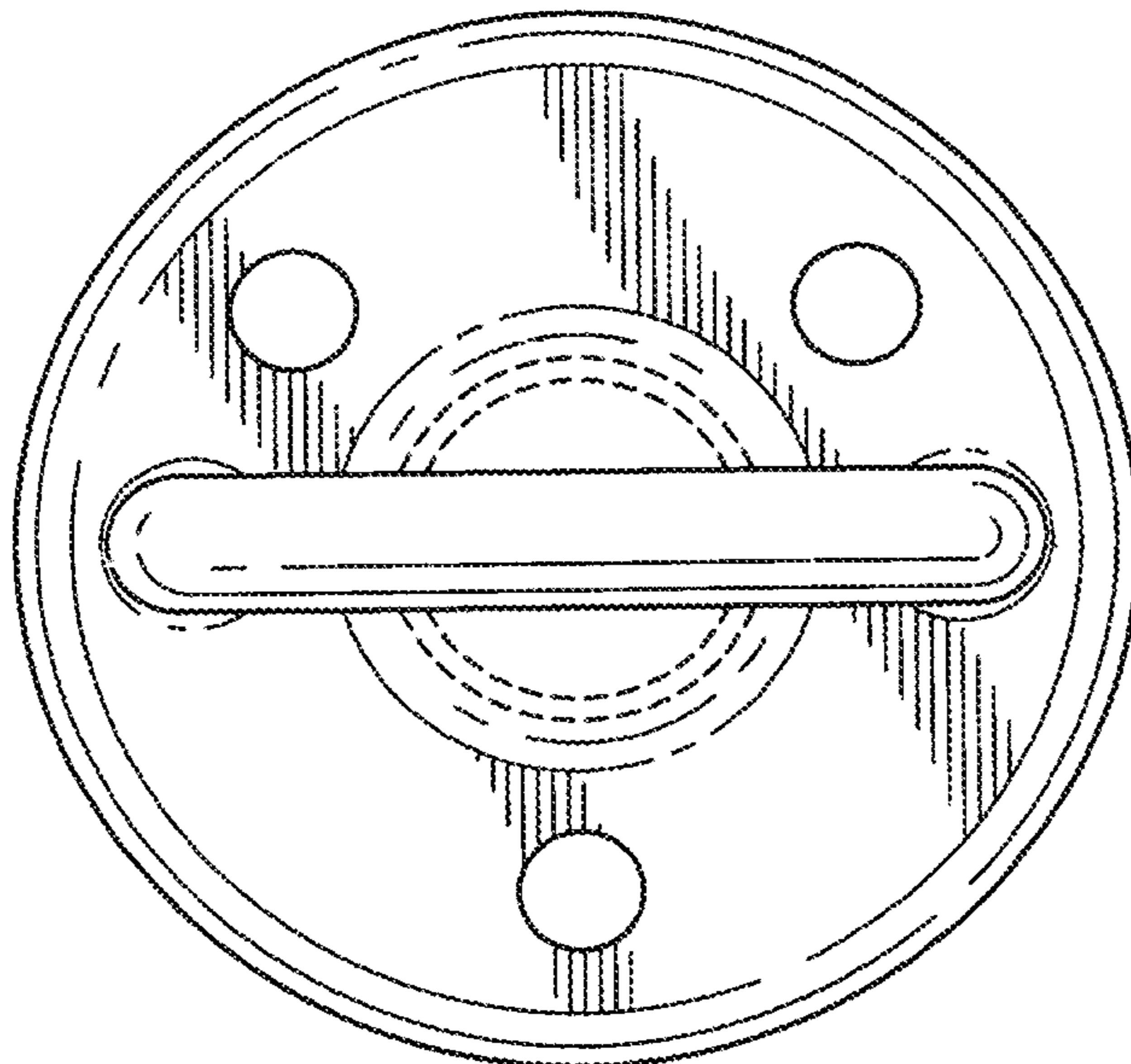


FIG. 4

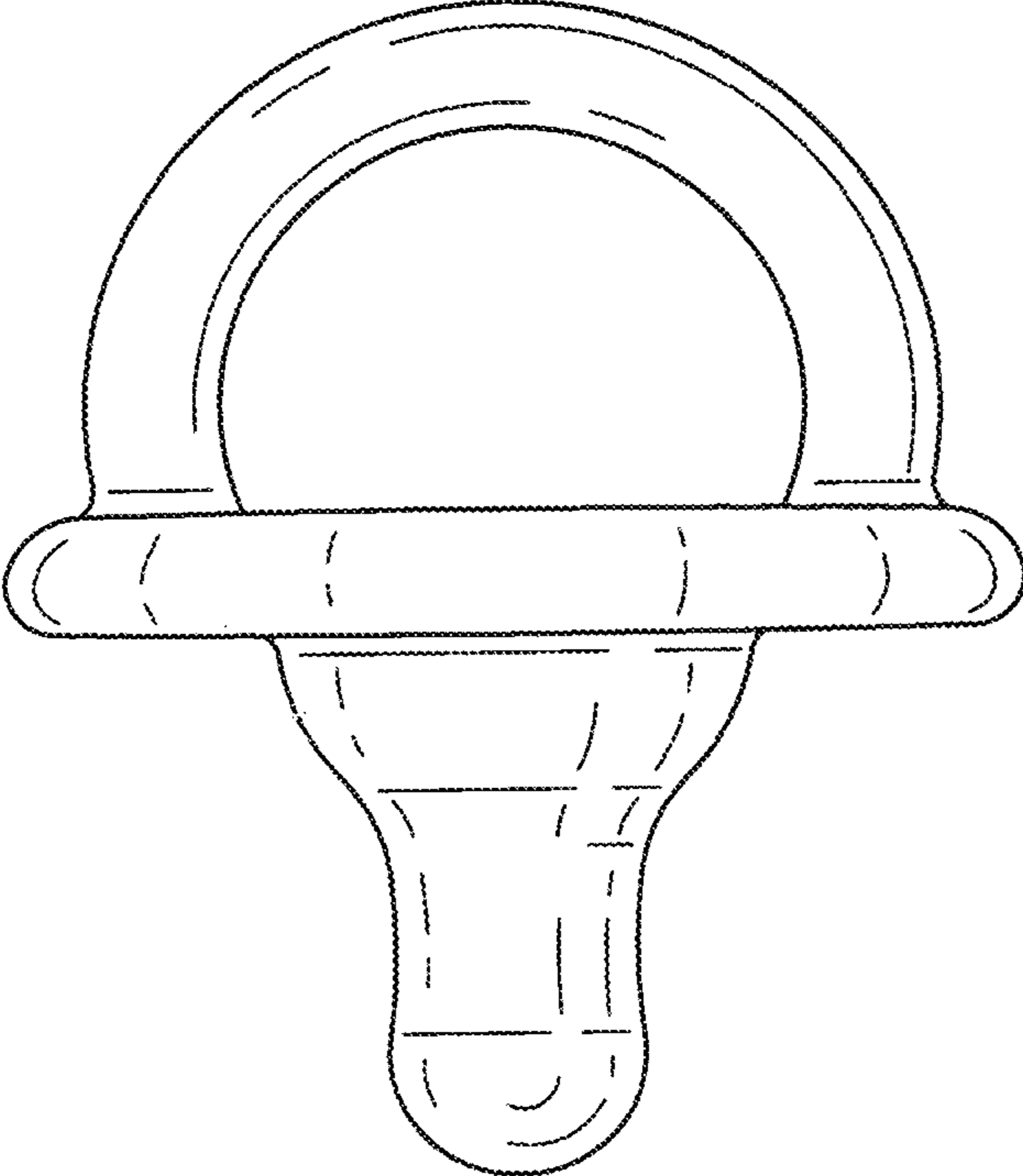


FIG. 5

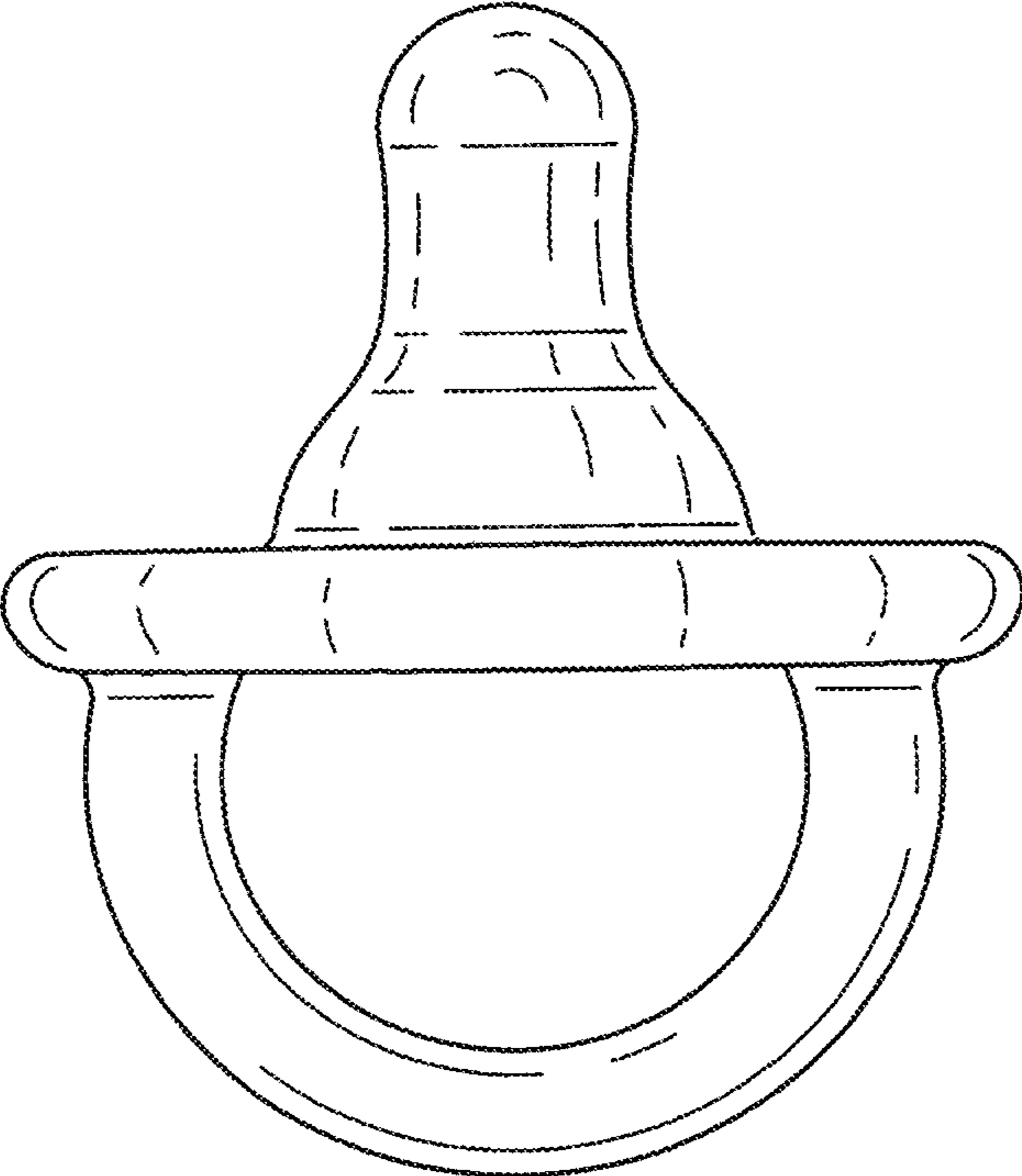


FIG. 6

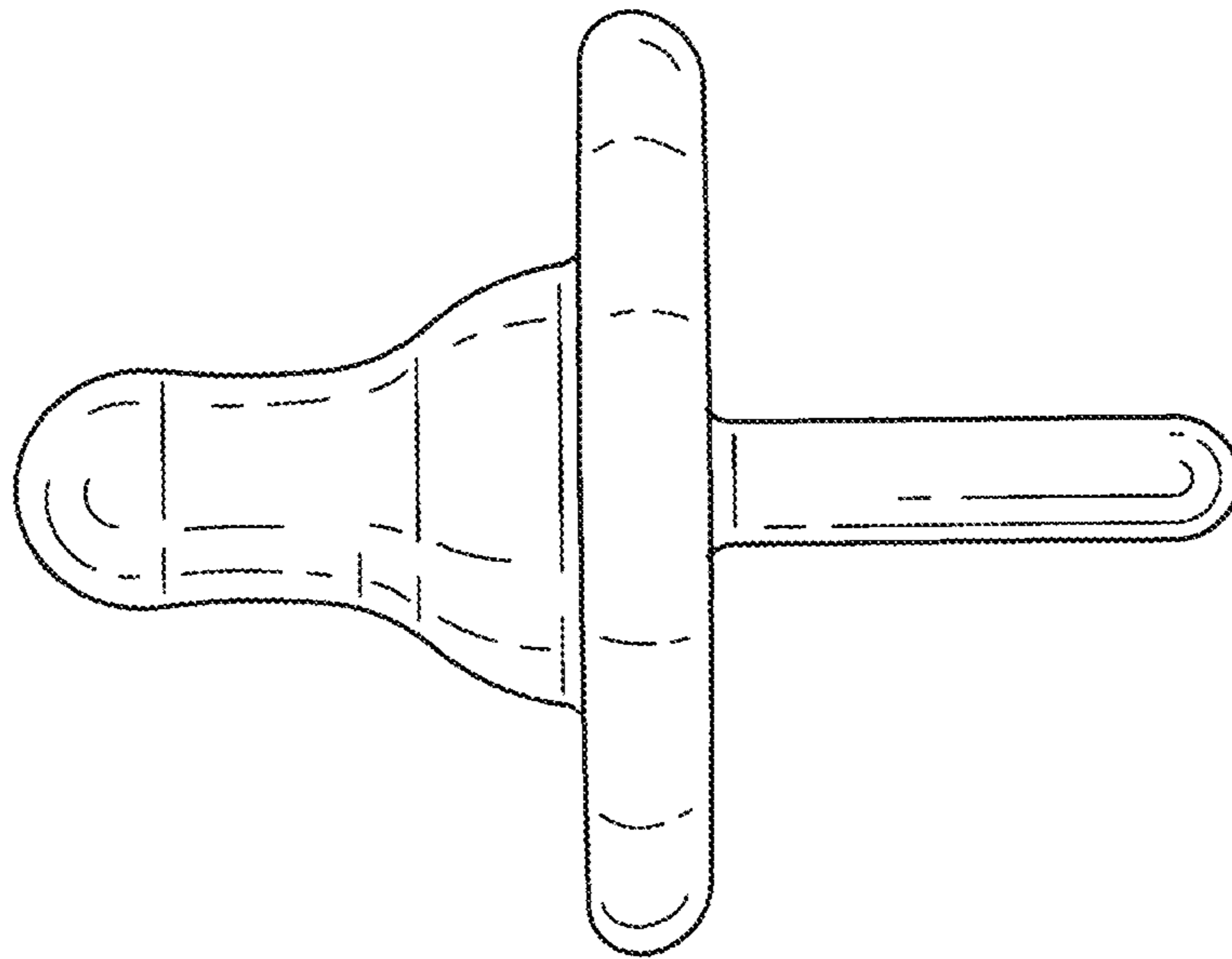


FIG. 7

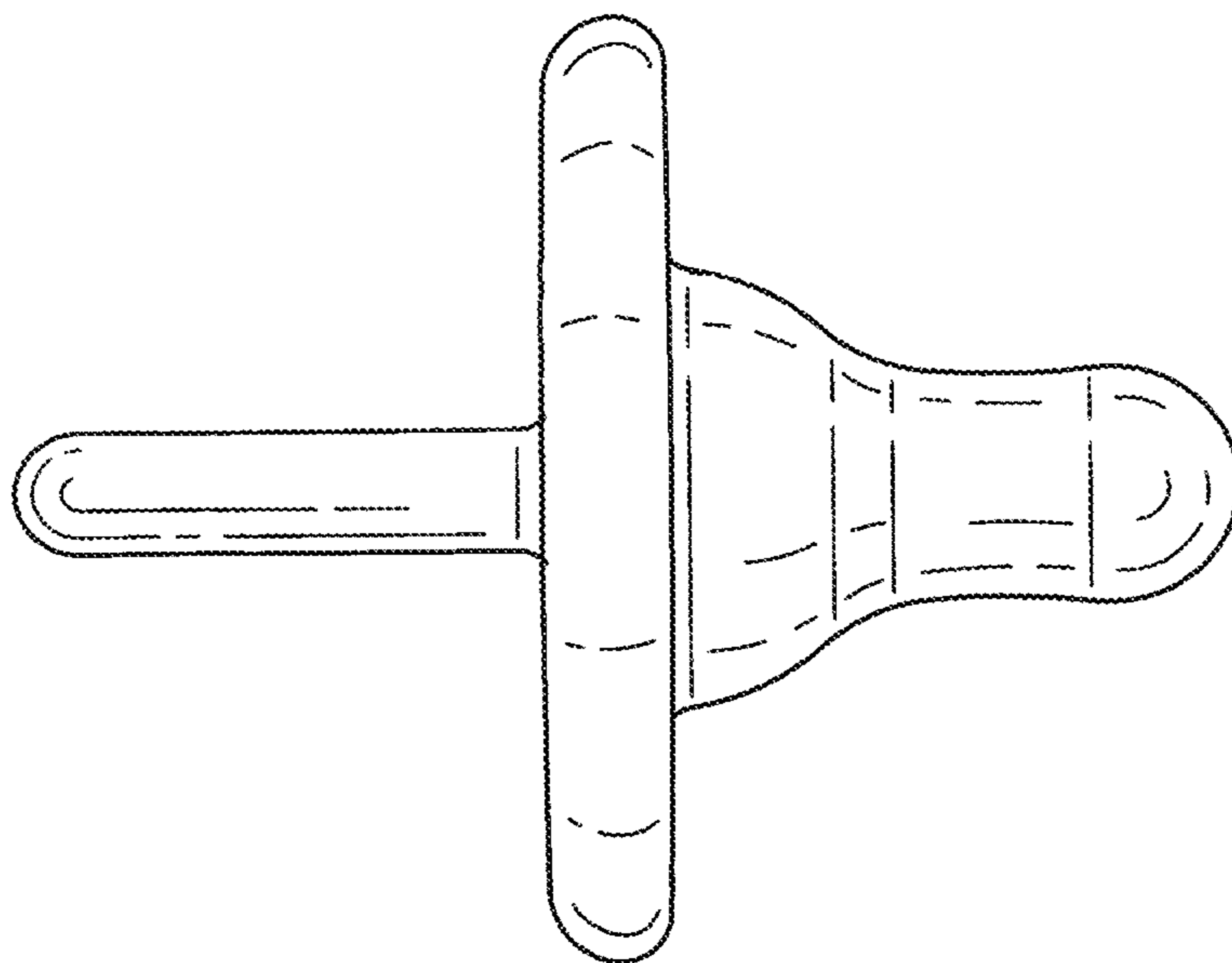


FIG. 8