



US00D954277S

(12) **United States Design Patent**
Blake

(10) **Patent No.:** **US D954,277 S**
(45) **Date of Patent:** **** Jun. 7, 2022**

- (54) **TEETHER**
- (71) Applicant: **Nippii LLC**, South Jordan, UT (US)
- (72) Inventor: **Ryan Paul Blake**, South Jordan, UT (US)
- (73) Assignee: **Nippii LLC**, South Jordan, UT (US)
- (**) Term: **15 Years**
- (21) Appl. No.: **29/728,843**
- (22) Filed: **Mar. 21, 2020**
- (51) **LOC (13) Cl.** **24-04**
- (52) **U.S. Cl.**
USPC **D24/194**
- (58) **Field of Classification Search**
USPC D24/193, 194, 195, 115, 117, 214;
D1/101, 104, 106, 107, 199; D21/576,
D21/584, 606, 607; D30/160
CPC A61J 17/001; A61J 2200/44; A61J 7/02
See application file for complete search history.

(56) **References Cited**

U.S. PATENT DOCUMENTS

3,282,478	A	11/1966	Russell	
4,192,307	A	3/1980	Baer	
4,215,700	A	8/1980	Crouther et al.	
D295,073	S	4/1988	Ford	
5,160,344	A	11/1992	Werton	
5,300,089	A	4/1994	Sassin	
5,334,218	A *	8/1994	Johnson	A61J 17/02 606/234
5,403,349	A	4/1995	Rohrig	
5,606,871	A	3/1997	Hansen et al.	

(Continued)

OTHER PUBLICATIONS

“NUK: Transitional Teether”. Found online Dec. 17, 2013 at amazon.com. Reference dated Mar. 4, 2013. Retrieved from http://

www.amazon.com/NUK-Transitional-Teether-Months-Plus/dp/B00AWLZFFW/ref=cm_cr_pr_product_top.*

(Continued)

Primary Examiner — Kendra Leslie Hamilton
(74) *Attorney, Agent, or Firm* — Law Office of Paul B. Johnson; Paul B. Johnson

(57) **CLAIM**

The ornamental design for a teether, as shown and described.

DESCRIPTION

FIG. 1 is a top, rear, right perspective view of a first embodiment of a teether showing my new design in an open configuration;

FIG. 2 is a front elevation view thereof;

FIG. 3 is a rear elevation view thereof;

FIG. 4 is a left side elevation view thereof;

FIG. 5 is a top plan view thereof;

FIG. 6 is a right side elevation view thereof;

FIG. 7 is a bottom plan view thereof;

FIG. 8 is a bottom, front, right perspective view thereof;

FIG. 9 is a left side elevation view of the teether of FIG. 1, shown in a closed configuration;

FIG. 10 is a top, rear, right perspective view of a second embodiment of the teether, shown in an open configuration;

FIG. 11 is a front elevation view thereof;

FIG. 12 is a rear elevation view thereof;

FIG. 13 is a left side elevation view thereof;

FIG. 14 is a top plan view thereof;

FIG. 15 is a right side elevation view thereof;

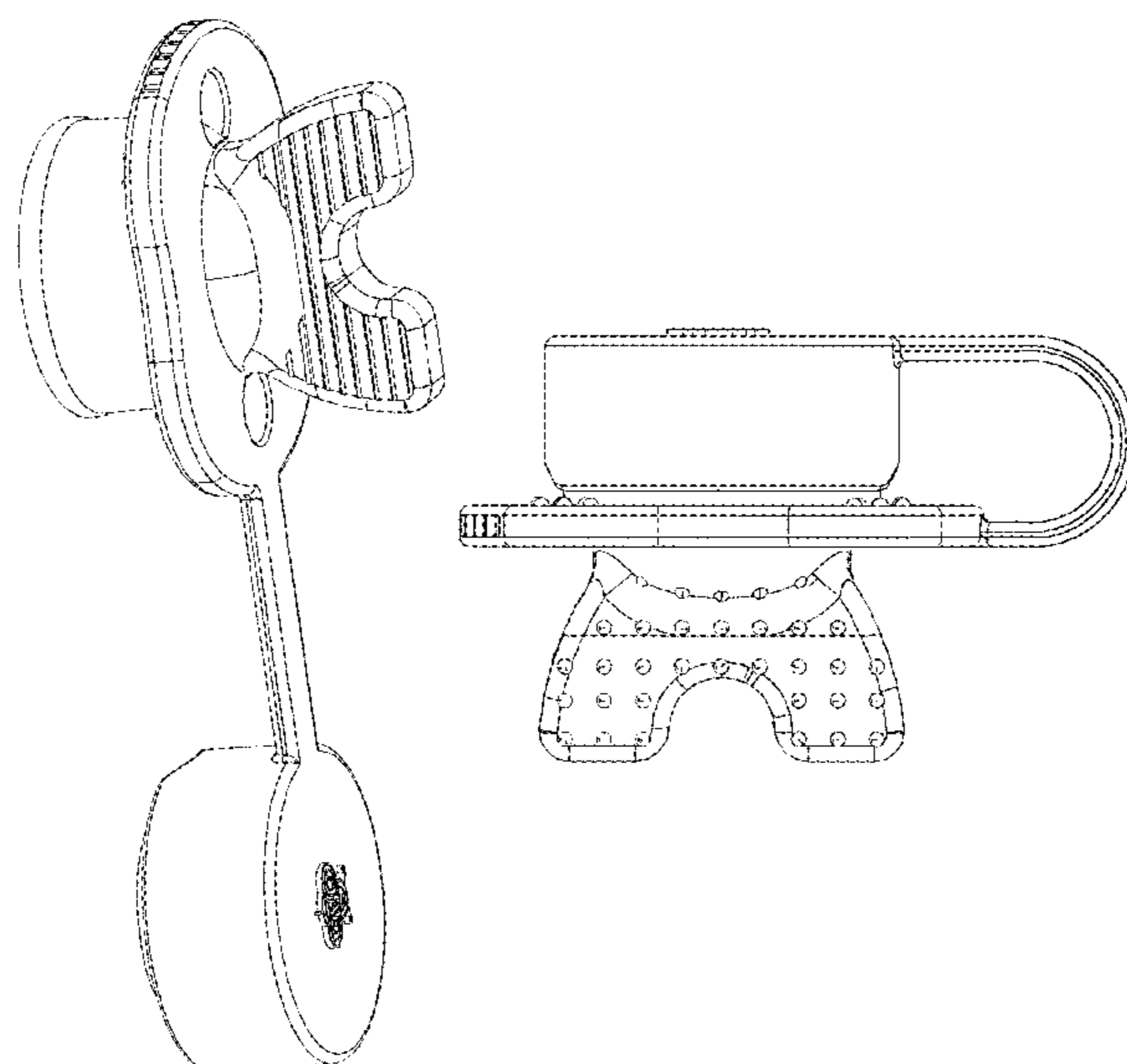
FIG. 16 is a bottom plan view thereof;

FIG. 17 is a bottom, front, right perspective view thereof; and,

FIG. 18 is a left side elevation view of the teether of FIG. 10, shown in a closed configuration.

The equal-length broken lines in the drawings depict portions of the teether that form no part of the claimed design.

1 Claim, 16 Drawing Sheets



(56)

References Cited

U.S. PATENT DOCUMENTS

5,658,314 A 8/1997 Scheffer et al.
 D391,642 S 3/1998 Fountain
 5,782,561 A 7/1998 Pai
 5,782,868 A 7/1998 Moore, Jr. et al.
 5,863,655 A 1/1999 Mock
 6,110,193 A * 8/2000 Chen A61J 7/0046
 606/234
 6,293,226 B1 9/2001 Hwang
 D480,147 S * 9/2003 Sanbrook D24/193
 6,736,830 B2 5/2004 Roust
 D594,559 S 6/2009 Kliegman et al.
 D599,026 S 8/2009 Cudworth
 D630,334 S * 1/2011 Paige D24/196
 D662,599 S * 6/2012 Rhodes, II D24/194
 D674,495 S * 1/2013 Roehrig D24/194
 D687,954 S * 8/2013 Dallman D24/194
 D742,532 S * 11/2015 Parrott Segura D24/194
 D749,897 S 2/2016 Zicafoose et al.
 9,974,714 B1 * 5/2018 Middleton A61J 17/001
 D840,044 S 2/2019 Rard et al.
 2003/0176891 A1 * 9/2003 Frederic A61J 17/02
 606/234
 2006/0155332 A1 7/2006 Jewett
 2007/0208379 A1 9/2007 Kessler et al.
 2009/0076548 A1 3/2009 Letsche
 2009/0287247 A1 11/2009 Chipperson et al.
 2009/0299410 A1 12/2009 Brabant et al.
 2011/0029017 A1 2/2011 Shreve
 2011/0118782 A1 5/2011 Kashey
 2011/0160769 A1 * 6/2011 Tesini A61J 17/113
 606/235
 2012/0203277 A1 8/2012 Forestieri
 2013/0085530 A1 4/2013 Caputo
 2013/0331888 A1 12/2013 Antinnes
 2015/0133817 A1 5/2015 Slowey et al.
 2016/0074286 A1 * 3/2016 Carter A61J 17/02
 606/235
 2016/0213570 A1 7/2016 Athanassiou

2017/0290745 A1 10/2017 Wiesman et al.
 2019/0254934 A1 8/2019 Lake
 2019/0358129 A1 11/2019 Bergstrom
 2021/0177705 A1 * 6/2021 Yoskowitz A61J 17/001

OTHER PUBLICATIONS

“Nuby: Natural Touch First Teether”. Found online Dec. 17, 2013 at amazon.com. Reference dated Mar. 10, 2012. Retrieved from http://www.amazon.com/Nuby-67918-Gum-Eez-Teether/dp/B004C65U0S/ref=sr_1_4?.*
 “Molar Muncher: Baby Teether”. Found online Sep. 15, 2021 at amazon.com. Reference dated Jan. 5, 2012. Retrieved from https://www.amazon.com/Molar-Muncher-Infant-Teether-Silicone/dp/B006TWH4R0/ref=sr_1_2?.*
 “Toofeze: Modern Teether in Silicone and Stainless Steel”. Found online Sep. 10, 2021 at themomedit.com. Reference dated Sep. 3, 2009. Retrieved from <https://themomedit.com/toofeze/>.*
 Images of a pacifier on sale by applicant in the U.S. on Amazon.com by May 5, 2019. Images of this product and a product description were uploaded to applicant’s Amazon.com seller account by Jan. 21, 2019, but applicant does not consider this to be a public disclosure inasmuch as applicant confirmed in a phone call with Amazon representatives on or around Mar. 16, 2020 that, until May 5, 2019, the product page listed zero inventory and was not visible to visitors of Amazon.com.
 “FridaBaby MediFrida, The Accu-Dose Pacifier”. Reference dated Dec. 25, 2017. Retrieved from <https://www.albeebaby.com/fridababy-medifrida-the-accu-dose-pacifier.html>.
 “Simba: Thumb Shape Massage Pacifier”. Reference dated Sep. 26, 2016. Retrieved from <https://tineye.com/search/a7752fda329febaf48ad88cd1170d0bacb4fb0b0?page=1>.
 “Combi: 4 months, Pacifier/Teether”. Reference dated Jan. 18, 2007. Retrieved from https://www.amazon.com/Combi-BPA-Free-Teether-Months/dp/B0009OATC/ref=cm_cr_arp_d_product_top?ie=UTF8.

* cited by examiner

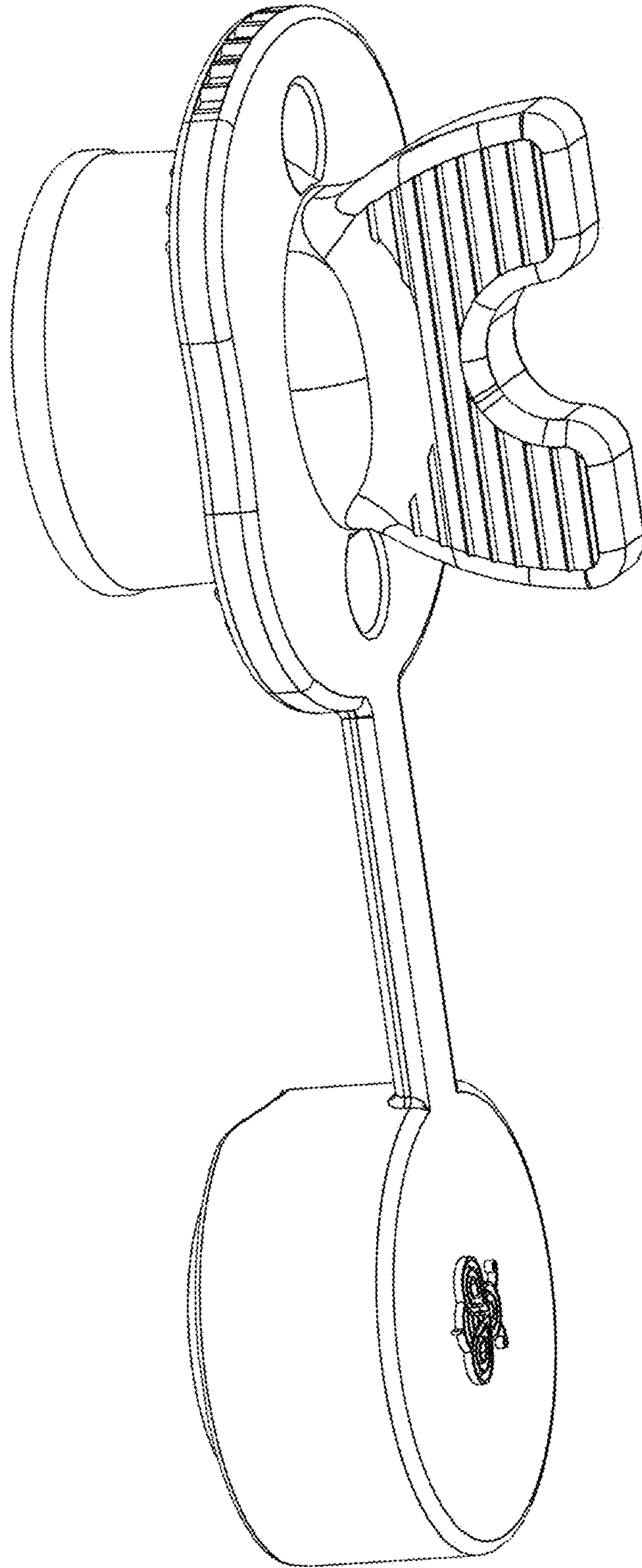


FIG. 1

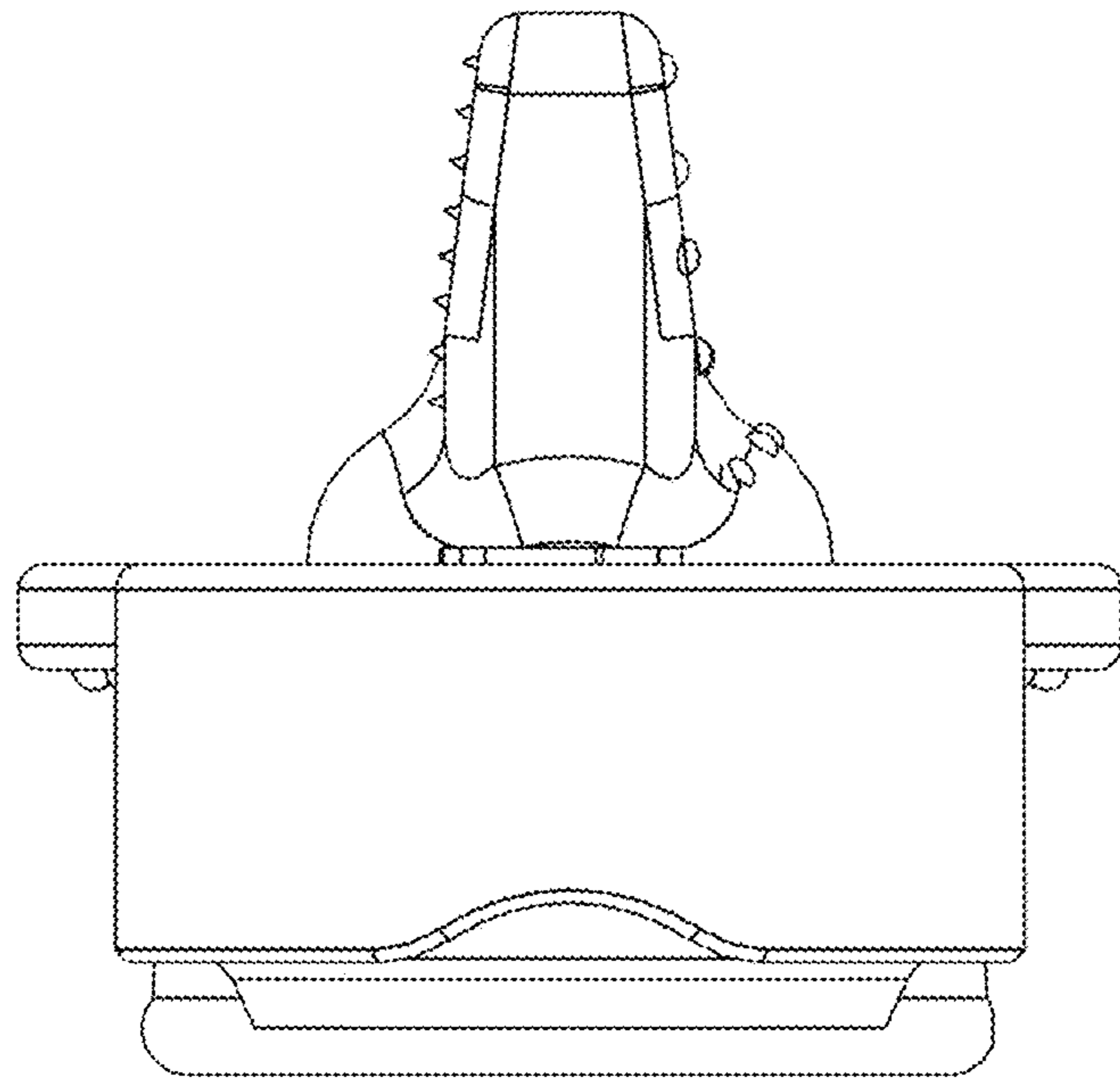


FIG. 2

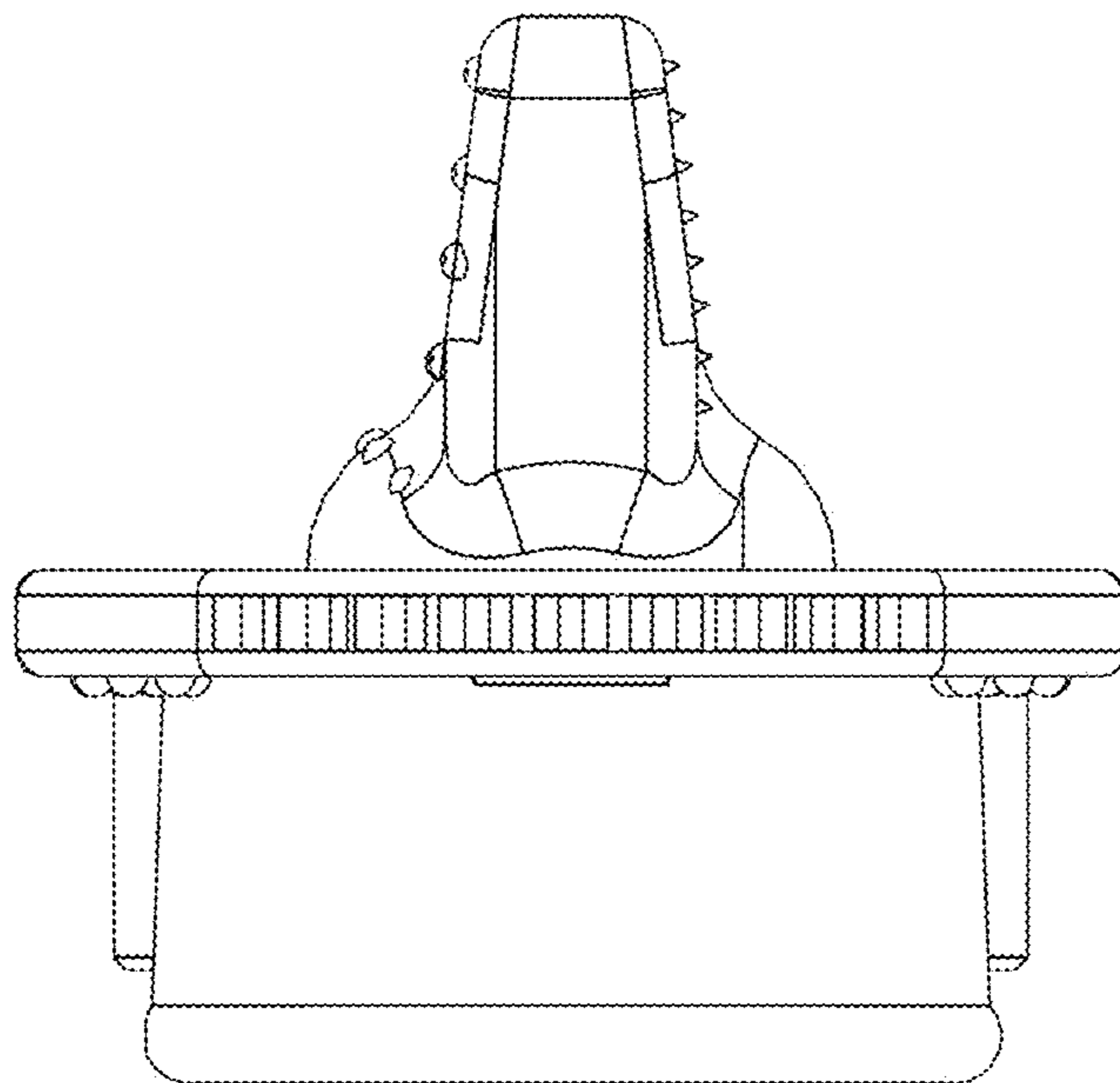


FIG. 3

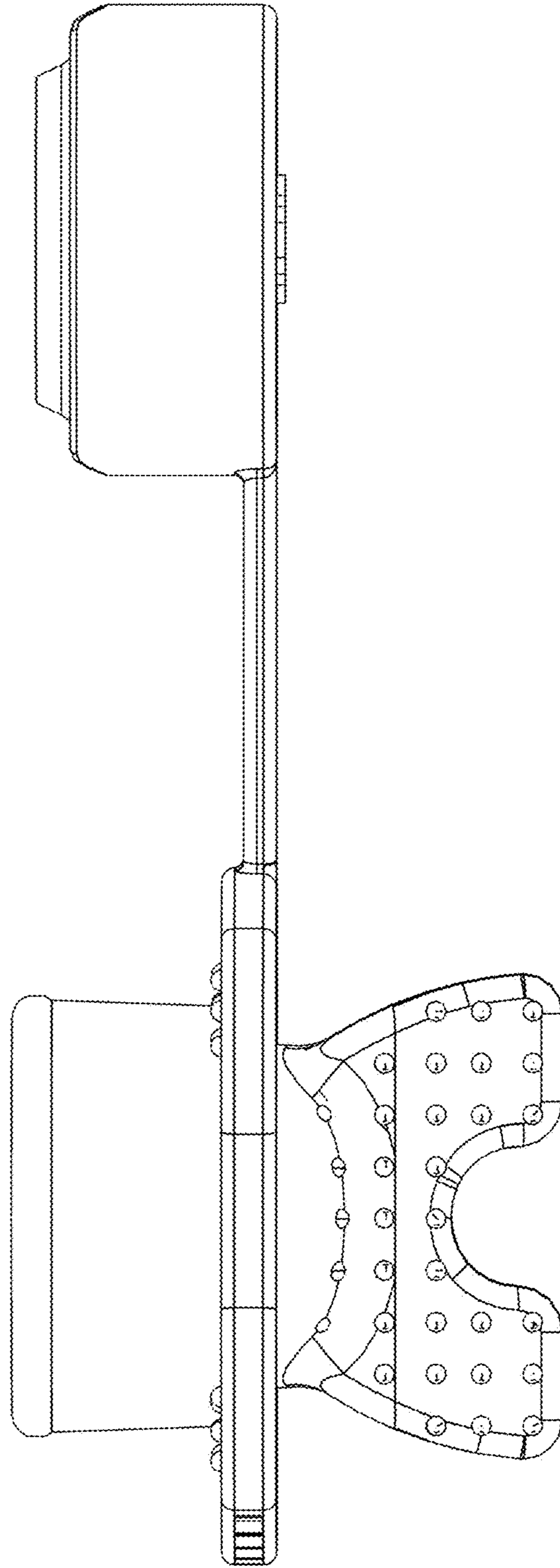


FIG. 4

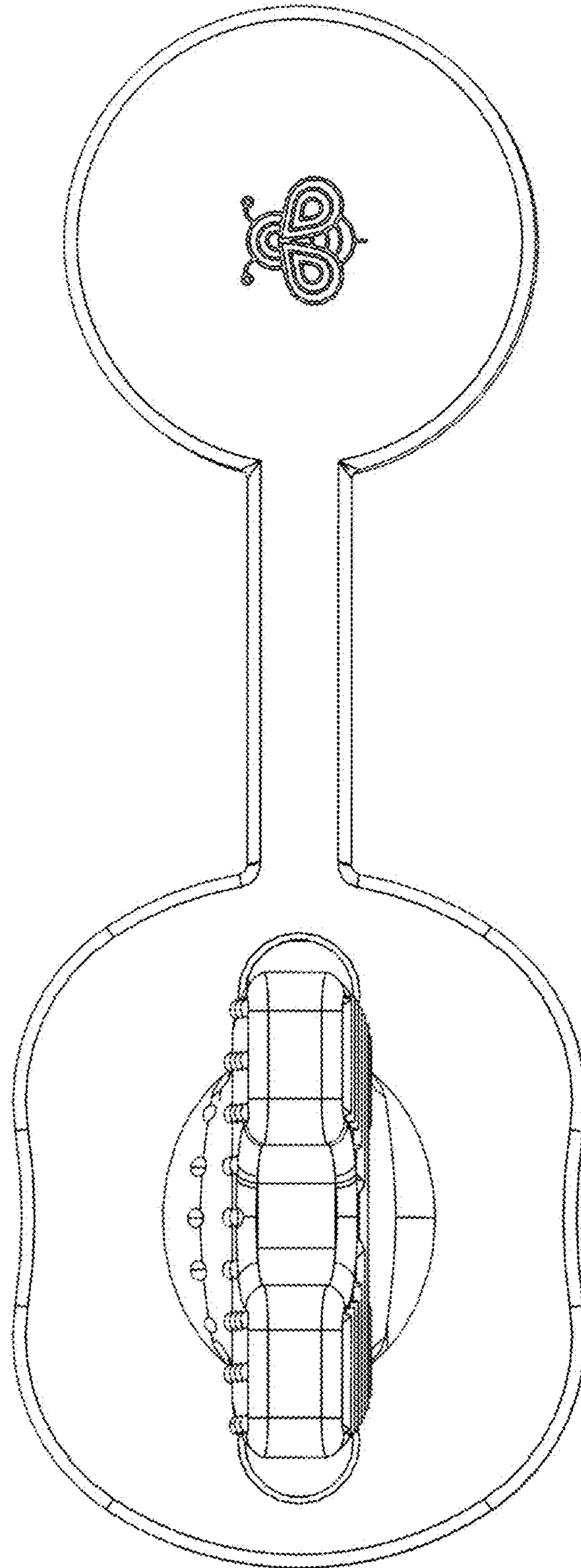


FIG. 5

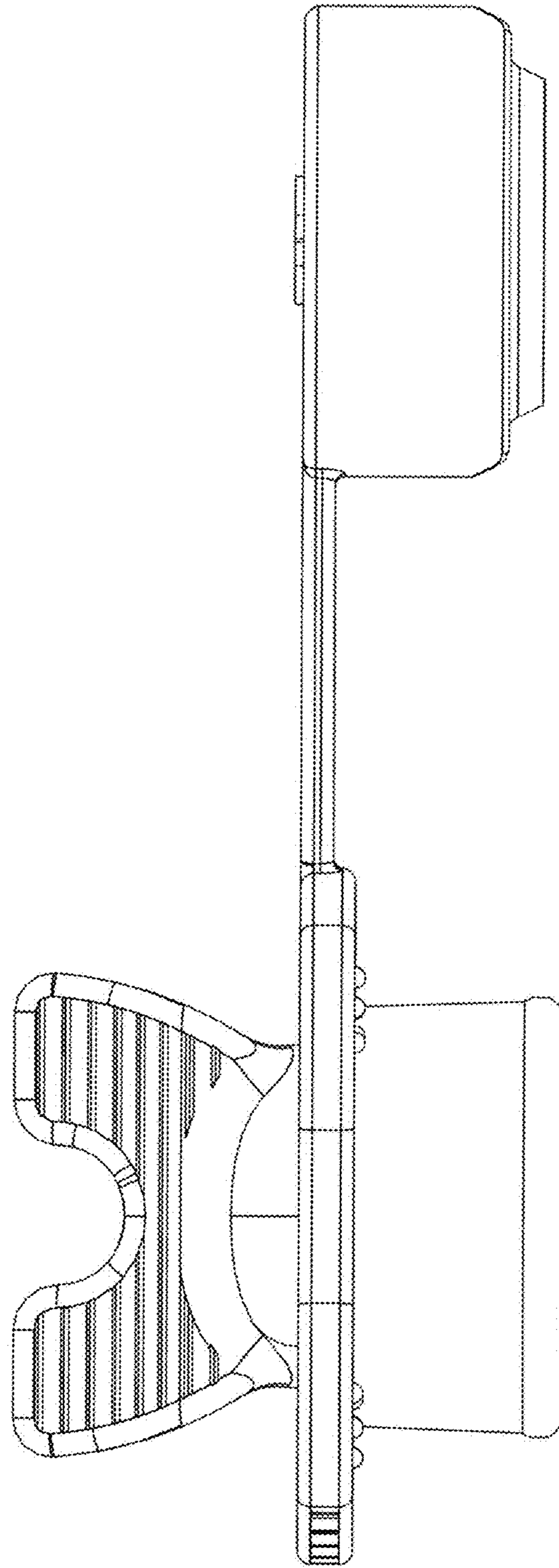


FIG. 6

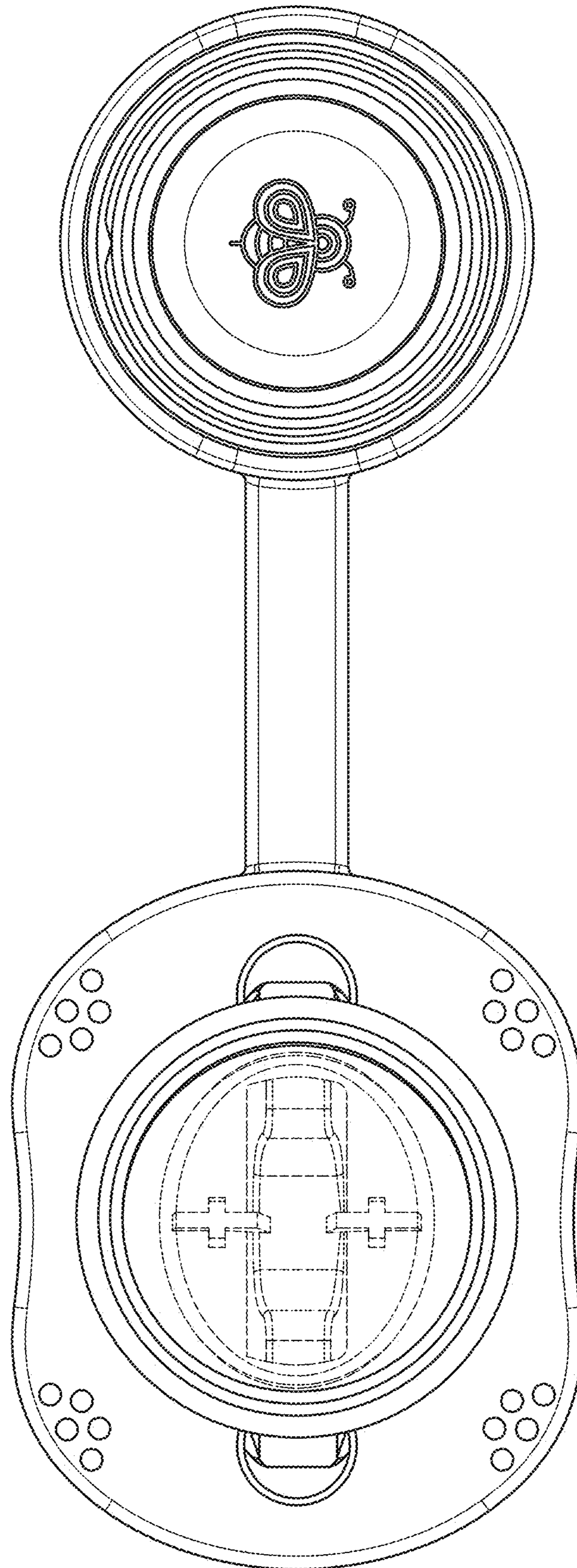


FIG. 7

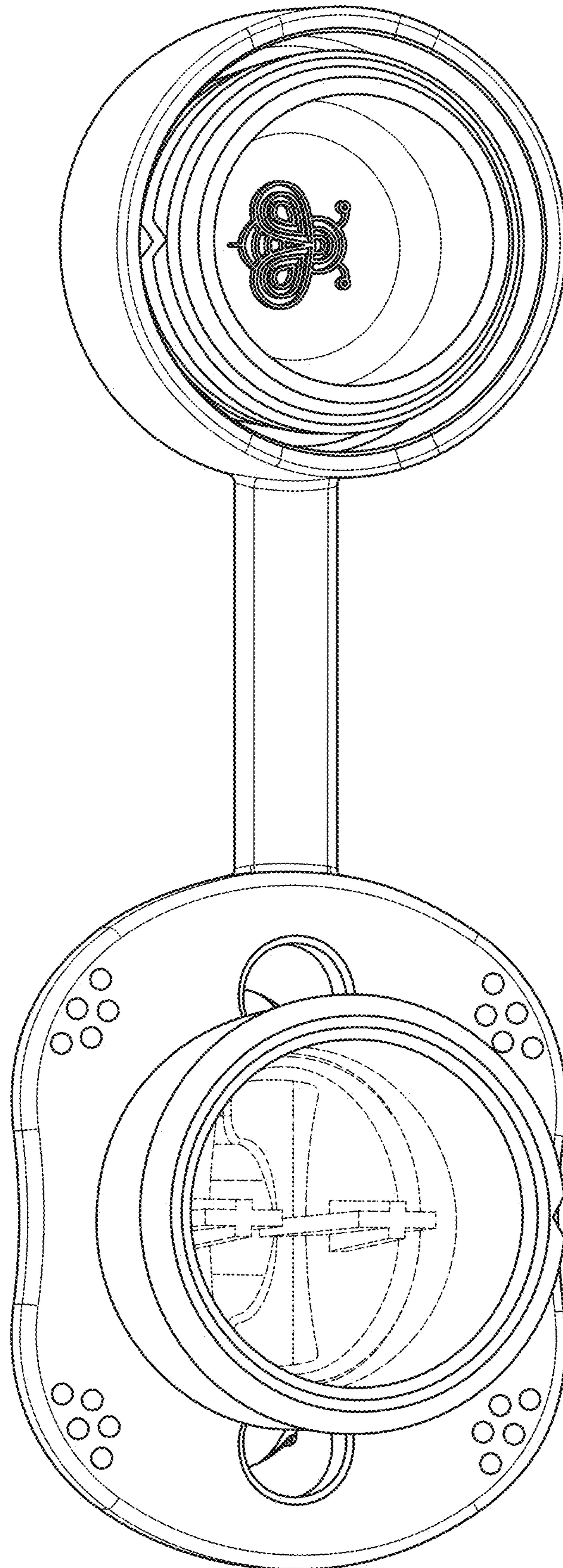


FIG. 8

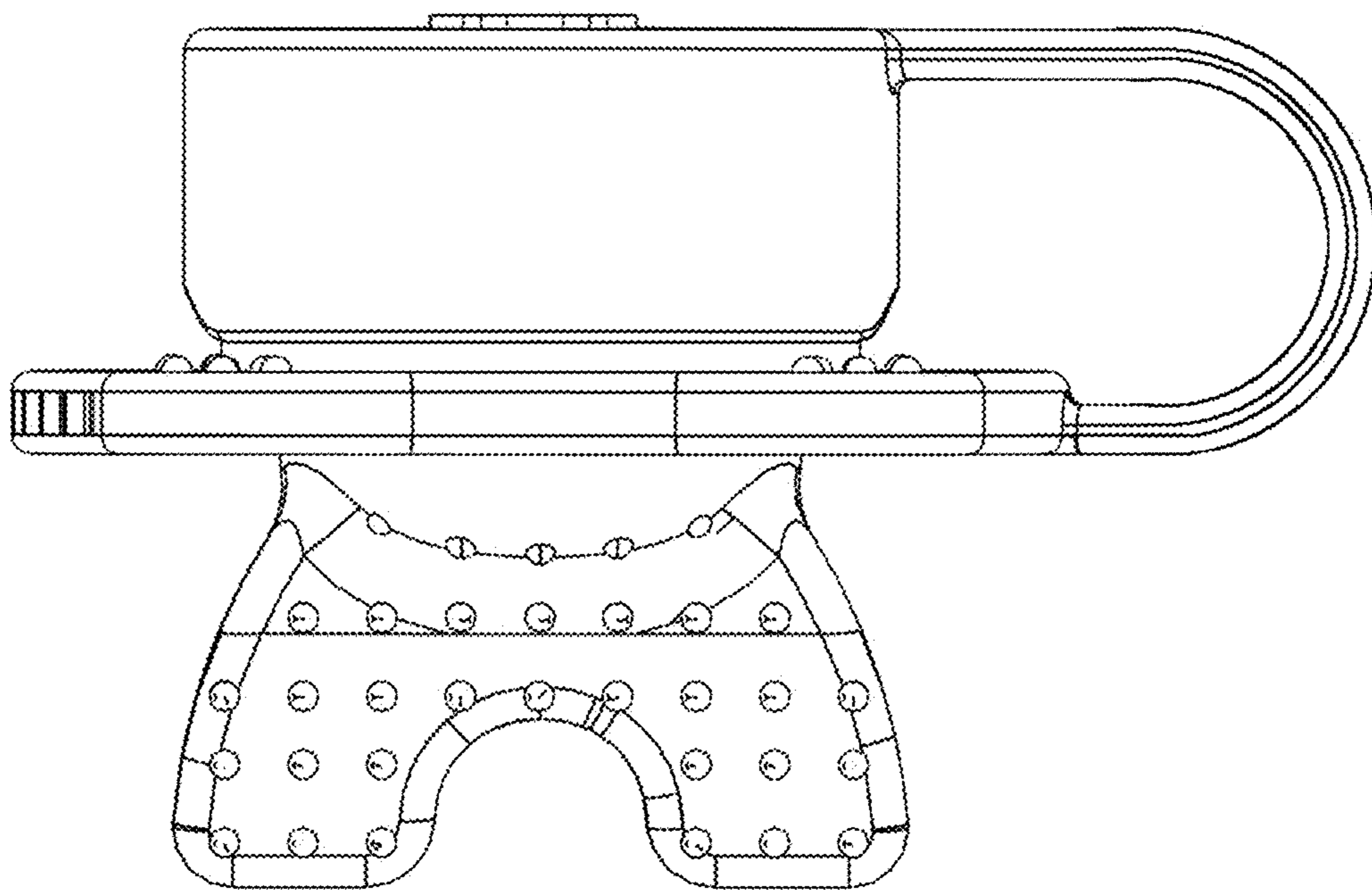


FIG. 9

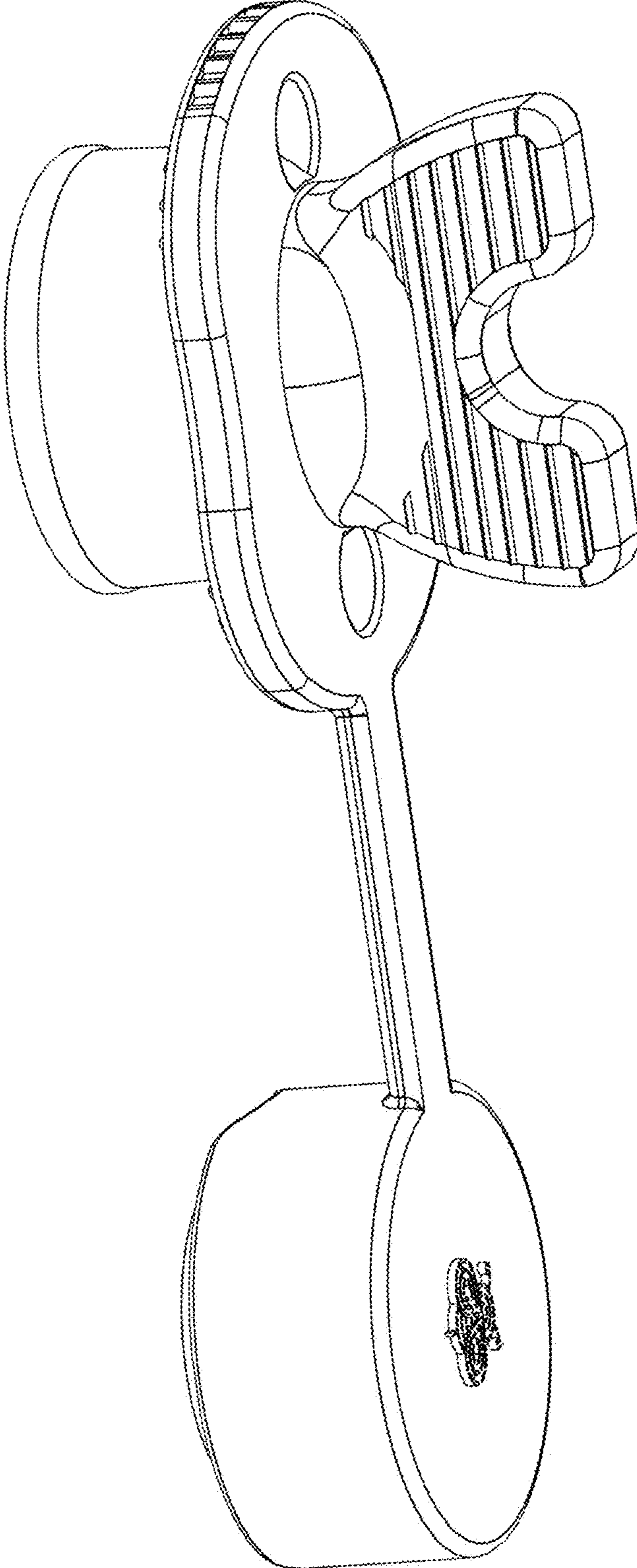


FIG. 10

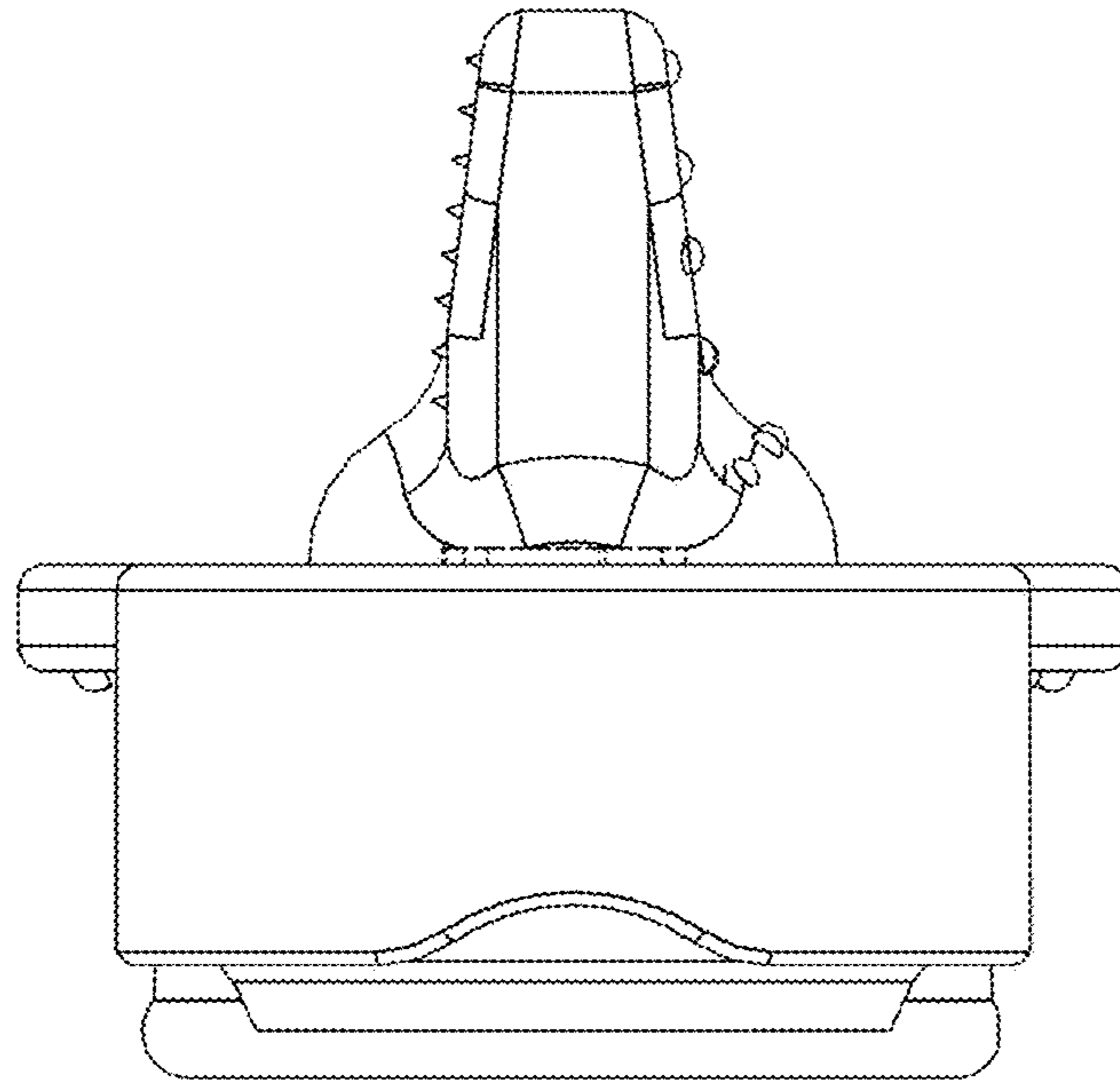


FIG. 11

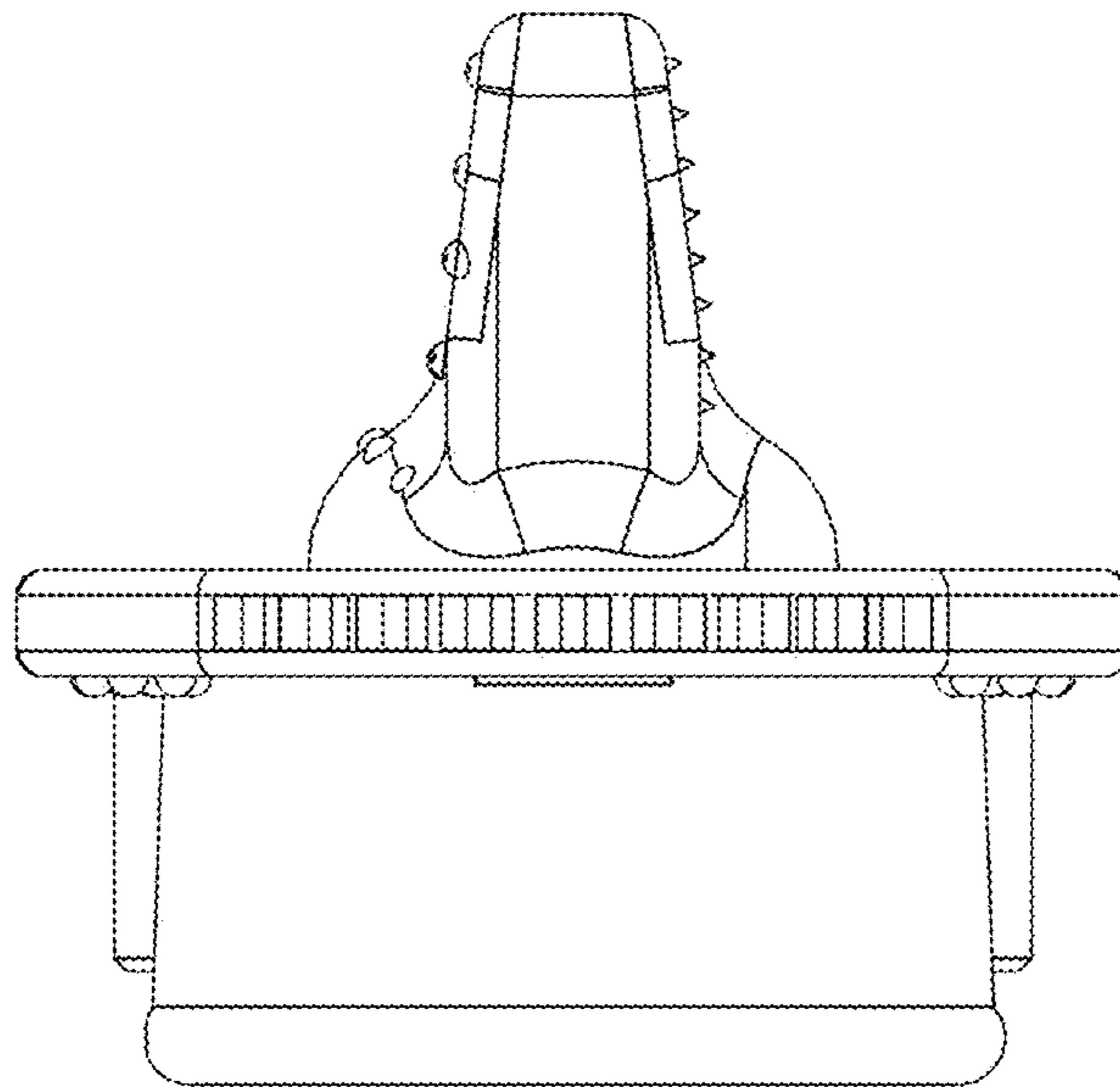


FIG. 12

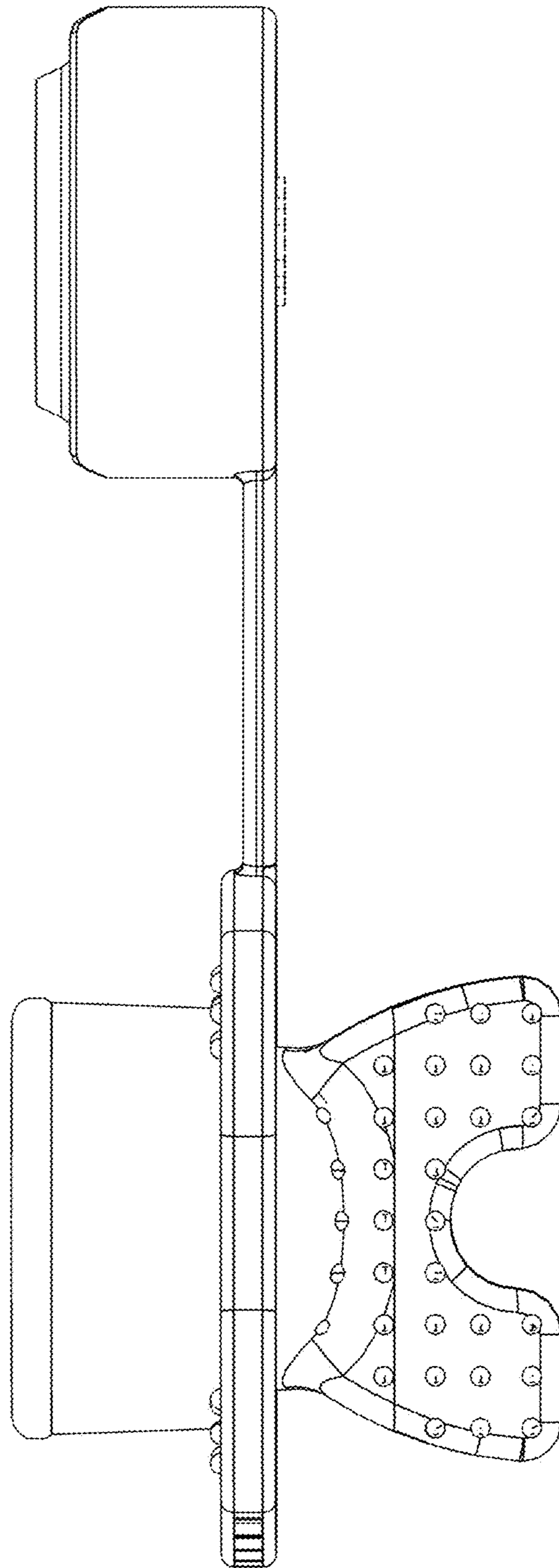


FIG. 13

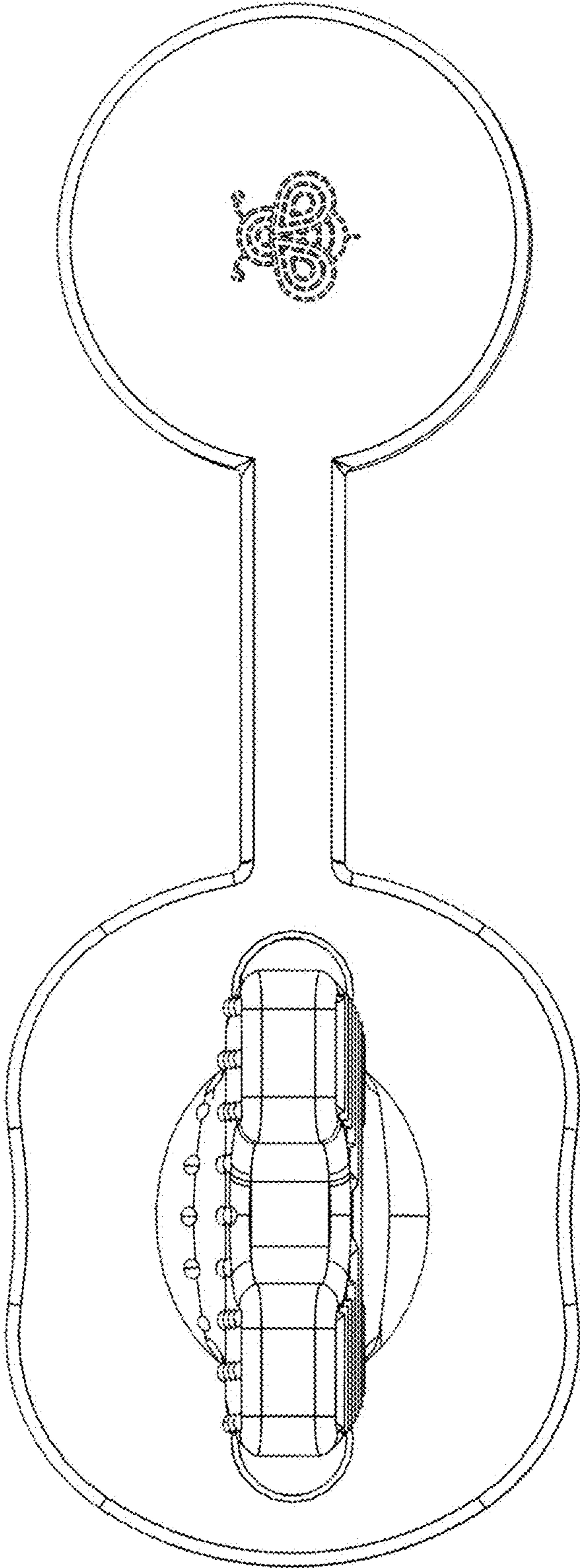


FIG. 14

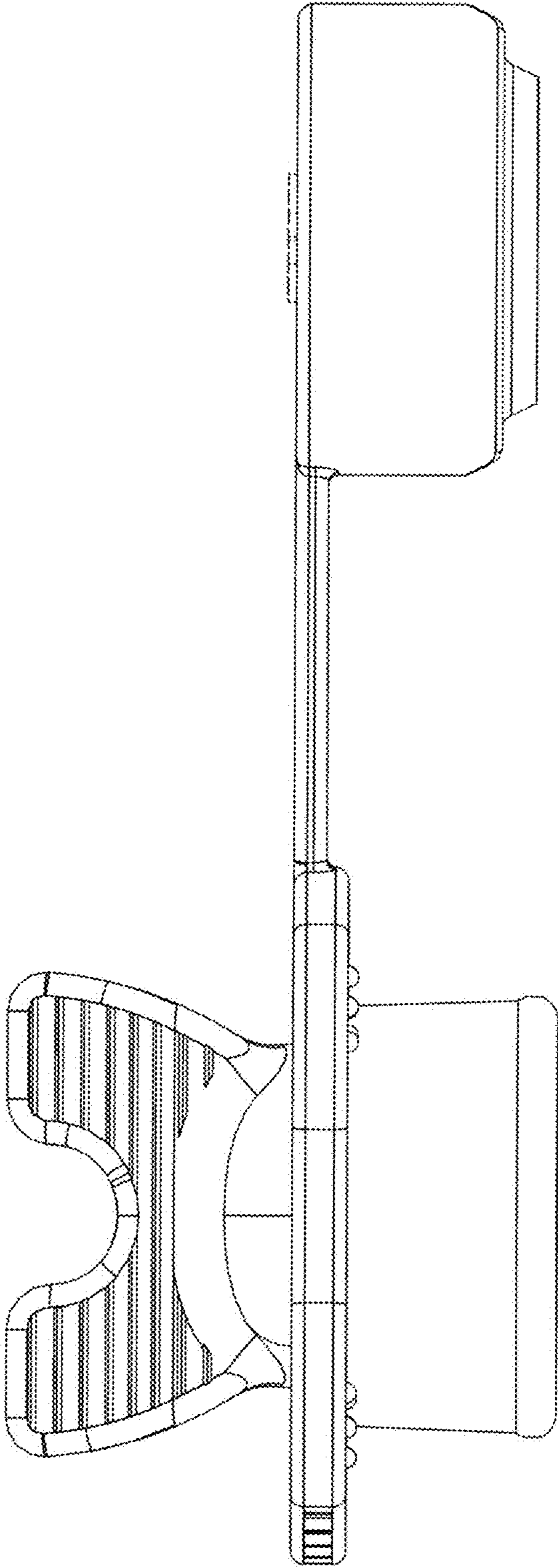


FIG. 15

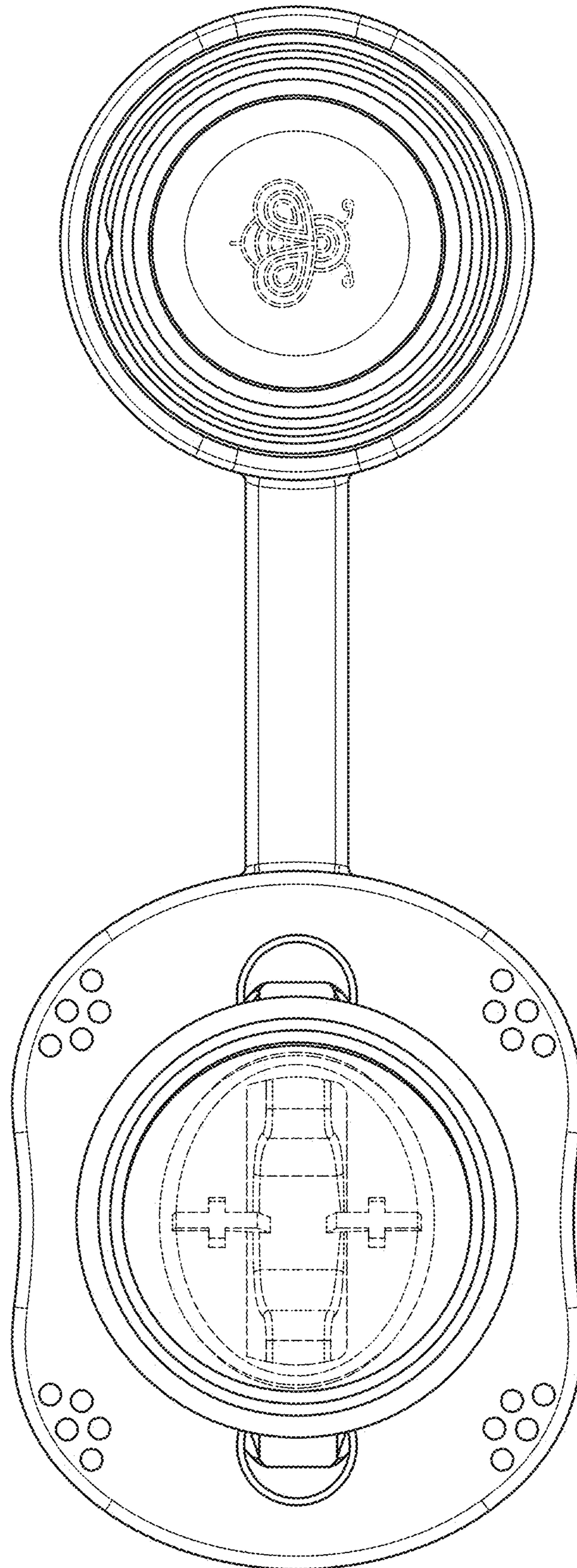


FIG. 16

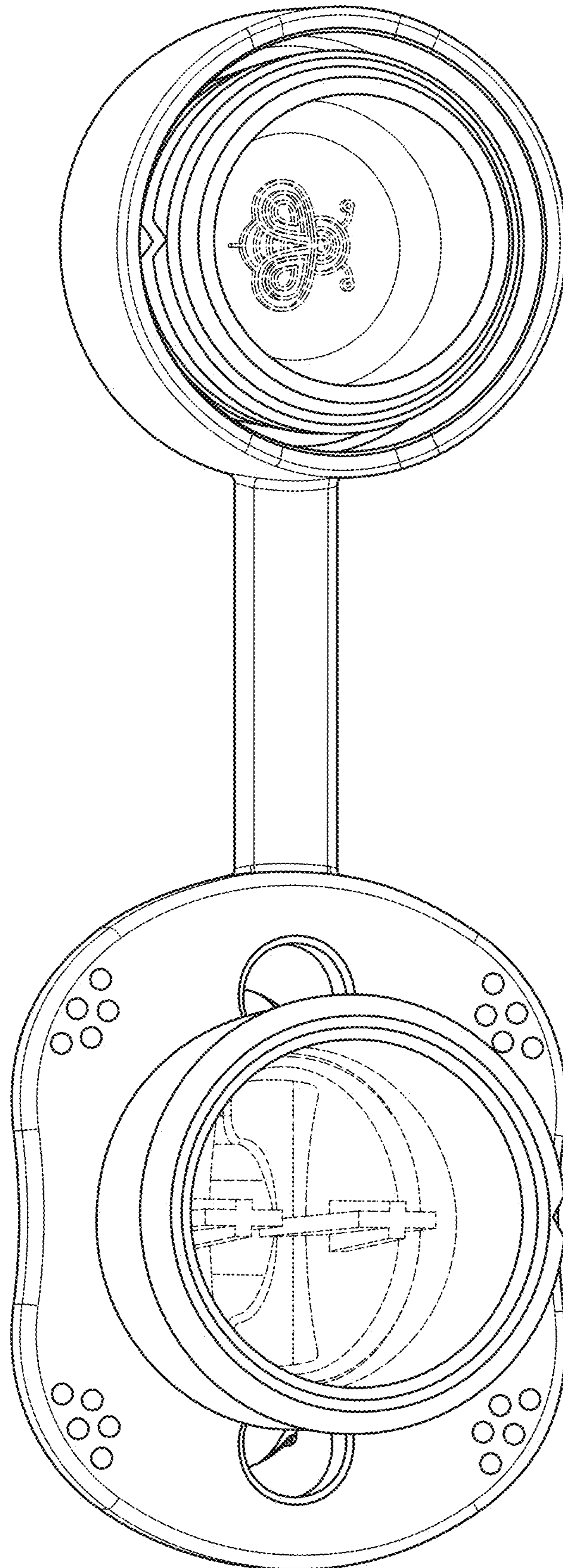


FIG. 17

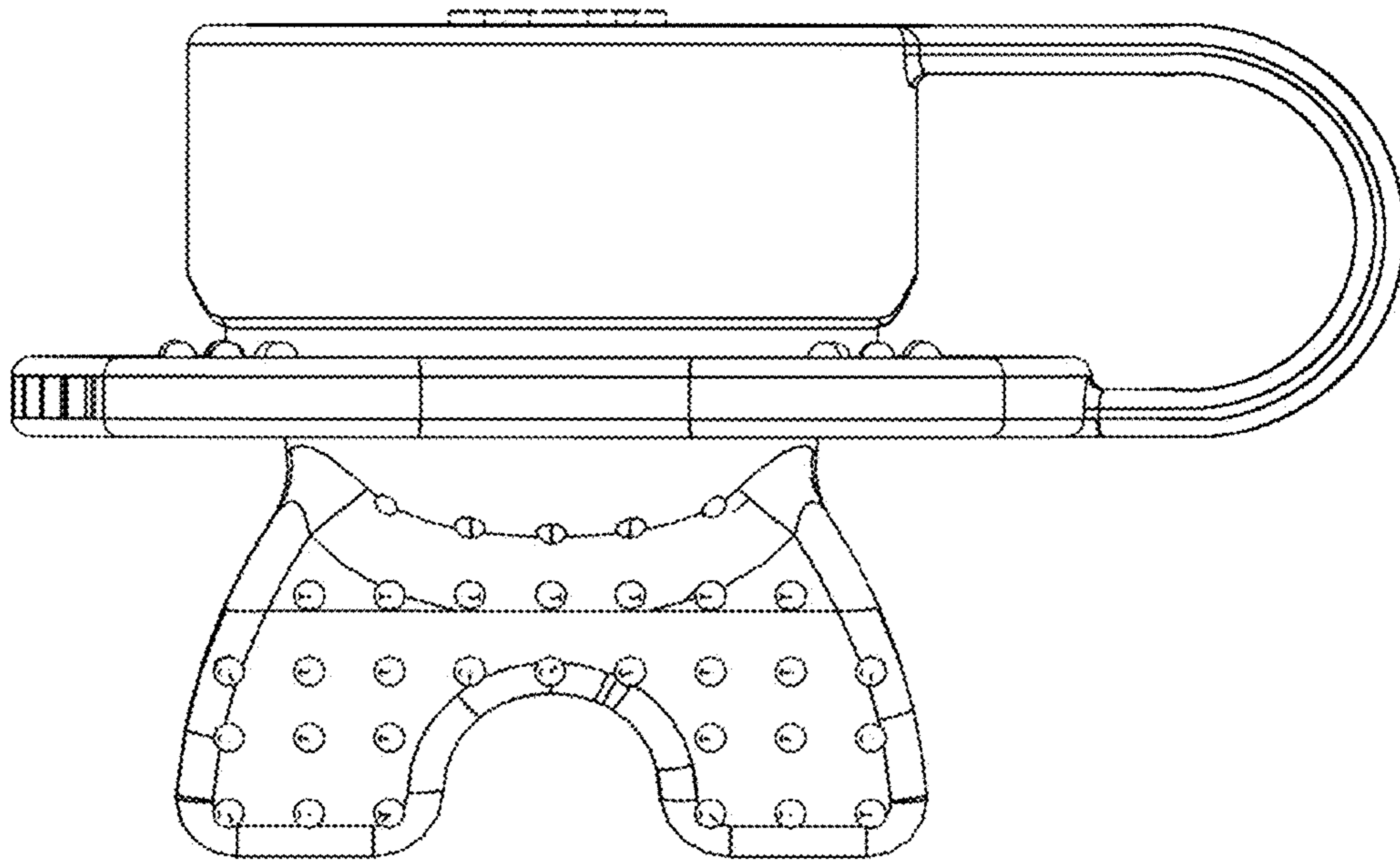


FIG. 18