



US00D954270S

(12) **United States Design Patent** (10) **Patent No.:** **US D954,270 S**
Burns et al. (45) **Date of Patent:** **** Jun. 7, 2022**

(54) **MEDICAL DEVICE WITH HOUSING FOR A BARCODE SCANNER MODULE**

D628,584 S 12/2010 Umezawa
D659,840 S 5/2012 Cheng et al.
D673,681 S 1/2013 Boudier et al.
D696,264 S 12/2013 d'Amore et al.
D701,238 S 3/2014 Lai et al.

(71) Applicant: **Bruin Biometrics, LLC**, Los Angeles, CA (US)

(Continued)

(72) Inventors: **Martin F. Burns**, Los Angeles, CA (US); **Graham O. Ross**, Oceanside, CA (US); **David M. Giuntoli**, Carlsbad, CA (US)

FOREIGN PATENT DOCUMENTS

JP D1154585 9/2002

(73) Assignee: **Bruin Biometrics, LLC**, Los Angeles, CA (US)

OTHER PUBLICATIONS

Arjo—Pressure Injury Prevention—Provizio SEM Scanner—How and where to scan. Online, published date Apr. 20, 2021. Retrieved on Sep. 13, 2021 from <https://www.youtube.com/watch?v=2U3F5OBqN68>.*

(Continued)

(**) Term: **15 Years**

Primary Examiner — Omeed Agilee

(21) Appl. No.: **29/730,396**

(74) *Attorney, Agent, or Firm* — Arnold & Porter Kaye Scholer LLP

(22) Filed: **Apr. 3, 2020**

(51) **LOC (13) Cl.** **24-02**

(52) **U.S. Cl.**
USPC **D24/187**

(58) **Field of Classification Search**
USPC D24/107, 137, 146, 152, 158–160, 172, D24/176, 185–187; D14/420
CPC A61B 5/0537; A61B 5/0531; A61B 5/445; A61B 5/447; A61B 5/4875; A61B 2560/0468; A61B 2562/046; A61B 5/746; A61B 5/6843; A61B 5/6801; A61B 5/7278; A61B 5/741

See application file for complete search history.

(57) **CLAIM**

The ornamental design for a medical device with housing for a barcode scanner module, as shown and described.

DESCRIPTION

FIG. 1 is a first perspective view of a medical device with housing for a barcode scanner module.
FIG. 2 is a second perspective view thereof.
FIG. 3 is a front view thereof.
FIG. 4 is a rear view thereof.
FIG. 5 is a left-hand-side view thereof.
FIG. 6 is a right-hand-side view thereof.
FIG. 7 is a bottom view thereof; and,
FIG. 8 is a top view thereof.

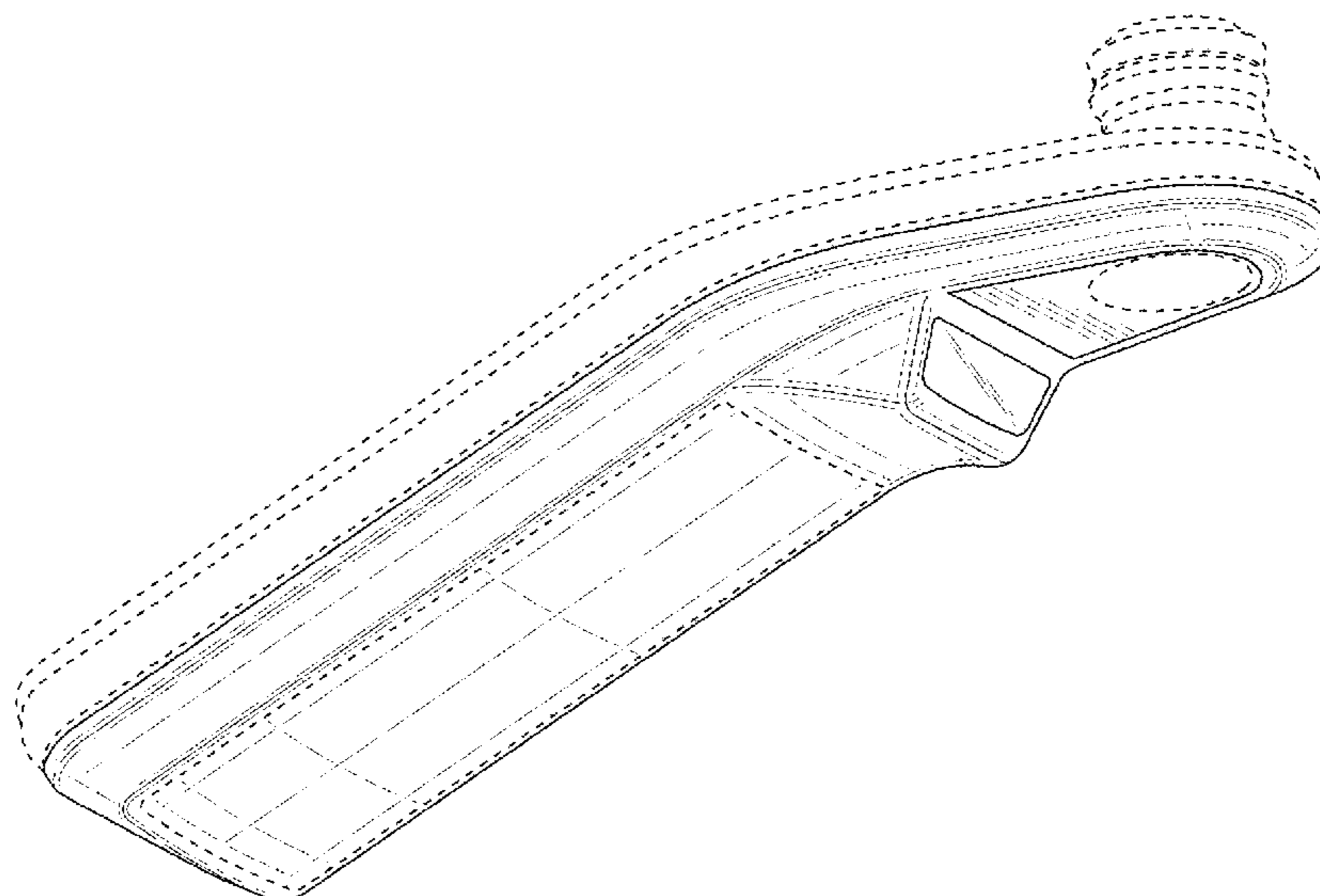
The broken lines depict portions of the medical device with housing for a barcode scanner module that form no part of the claim.

1 Claim, 8 Drawing Sheets

(56) **References Cited**

U.S. PATENT DOCUMENTS

D343,801 S * 2/1994 Burns D10/78
D356,641 S * 3/1995 Stewart D24/176
D377,393 S * 1/1997 Sams D24/137
5,812,688 A 9/1998 Gibson
7,226,223 B2 6/2007 Chan
D546,334 S 7/2007 Seo et al.
D586,353 S 2/2009 Lee et al.
D607,010 S 12/2009 Kocmick



(56)

References Cited

U.S. PATENT DOCUMENTS

D704,851 S 5/2014 Ho et al.
 D711,896 S 8/2014 Hanson et al.
 D728,615 S 5/2015 Guzman et al.
 D742,518 S 11/2015 Barak et al.
 D746,828 S 1/2016 Arai et al.
 D746,859 S 1/2016 Sabia et al.
 D750,660 S 3/2016 Caldwell
 D751,108 S 3/2016 Caldwell
 9,304,659 B2 4/2016 Sherrard et al.
 D763,278 S 8/2016 Cavander et al.
 D763,306 S 8/2016 Lee et al.
 D781,882 S 3/2017 Rad et al.
 D783,676 S 4/2017 Kim et al.
 D787,684 S * 5/2017 Vezina D24/187
 D789,545 S 6/2017 Pippel et al.
 D795,923 S 8/2017 Kim et al.
 D796,355 S 9/2017 Cho et al.
 D796,520 S 9/2017 Klar et al.
 9,763,596 B2 9/2017 Tonar et al.
 D801,998 S 11/2017 Im et al.
 D810,952 S 2/2018 Hsu
 D816,107 S 4/2018 Kim et al.
 D820,877 S 6/2018 Inman et al.
 D824,034 S 7/2018 Pushpala et al.
 D824,404 S 7/2018 DiNicola et al.
 D827,843 S * 9/2018 Bainton D24/200
 D834,713 S 11/2018 Myers et al.
 10,117,607 B2 11/2018 Riesinger
 D849,053 S 5/2019 Niven et al.
 D850,626 S 6/2019 Gardner et al.
 D854,025 S 7/2019 Rad et al.
 D854,950 S 7/2019 Seum et al.
 D857,911 S * 8/2019 Huang D24/215
 D860,245 S 9/2019 Smith et al.
 D863,574 S 10/2019 Yan et al.
 D864,222 S 10/2019 Paulina et al.
 D864,994 S 10/2019 Cornell
 D872,764 S 1/2020 Pazmino et al.
 10,537,304 B2 1/2020 Barthe et al.
 10,537,428 B2 1/2020 Hong

D881,923 S 4/2020 Chu et al.
 D881,935 S 4/2020 Samanta et al.
 D884,737 S 5/2020 Tran et al.
 D886,847 S 6/2020 Harder et al.
 D888,744 S 6/2020 Valladares et al.
 D896,971 S * 9/2020 Held D24/186
 D897,542 S * 9/2020 Klock D24/186
 D902,381 S * 11/2020 Inoue D24/107
 D903,125 S 11/2020 Burns et al.
 D914,898 S * 3/2021 Britt D24/200
 D918,209 S * 5/2021 Kenworthy D14/426
 D921,023 S 6/2021 Kwon
 D921,899 S * 6/2021 Suarez D24/158
 D924,890 S 7/2021 Flood et al.
 2010/0333029 A1 12/2010 Smith
 2011/0035691 A1 2/2011 Kim et al.
 2014/0149920 A1 5/2014 Wang
 2014/0334691 A1 11/2014 Cho et al.
 2019/0121826 A1 4/2019 LeVell
 2020/0127398 A1 * 4/2020 Burns H01R 13/405
 2021/0076974 A1 * 3/2021 Burns A61B 5/445

OTHER PUBLICATIONS

Euler Diagrams, Lectures of Metaphysics and Logic, vol. 4: Lectures on Logic vol. 1, 3rd ed., Edinburgh: Mansel & Veitch, 1874 [retrieved on Aug. 5, 2021]. Retrieved from the Internet: <URL: https://commons.wikimedia.org/wiki/File:Hamilton_Lectures_on_Logic_1874_Euler_Diagrams.png> (1874).
 HP Ipaq Rx3715—Recomendações, palmmania.blogspot.com [online], published on Jan. 28, 2007, [retrieved on Aug. 5, 2021], retrieved from the Internet <URL: palmmania.blogspot.com/2007/01/> (2013).
 “Quick Start Guide,” Provizio™ SEM Scanner, C0770 OTH-SEM250-0357 Rev. C (Feb. 11, 2020).
 TV App Bubble, by Xpired, dribbble.com [online], published on Feb. 12, 2013, [retrieved on Aug. 5, 2021], retrieved from the Internet <URL: <https://dribbble.com/shots/939059-Tv-App-Bubble>> (2013).

* cited by examiner

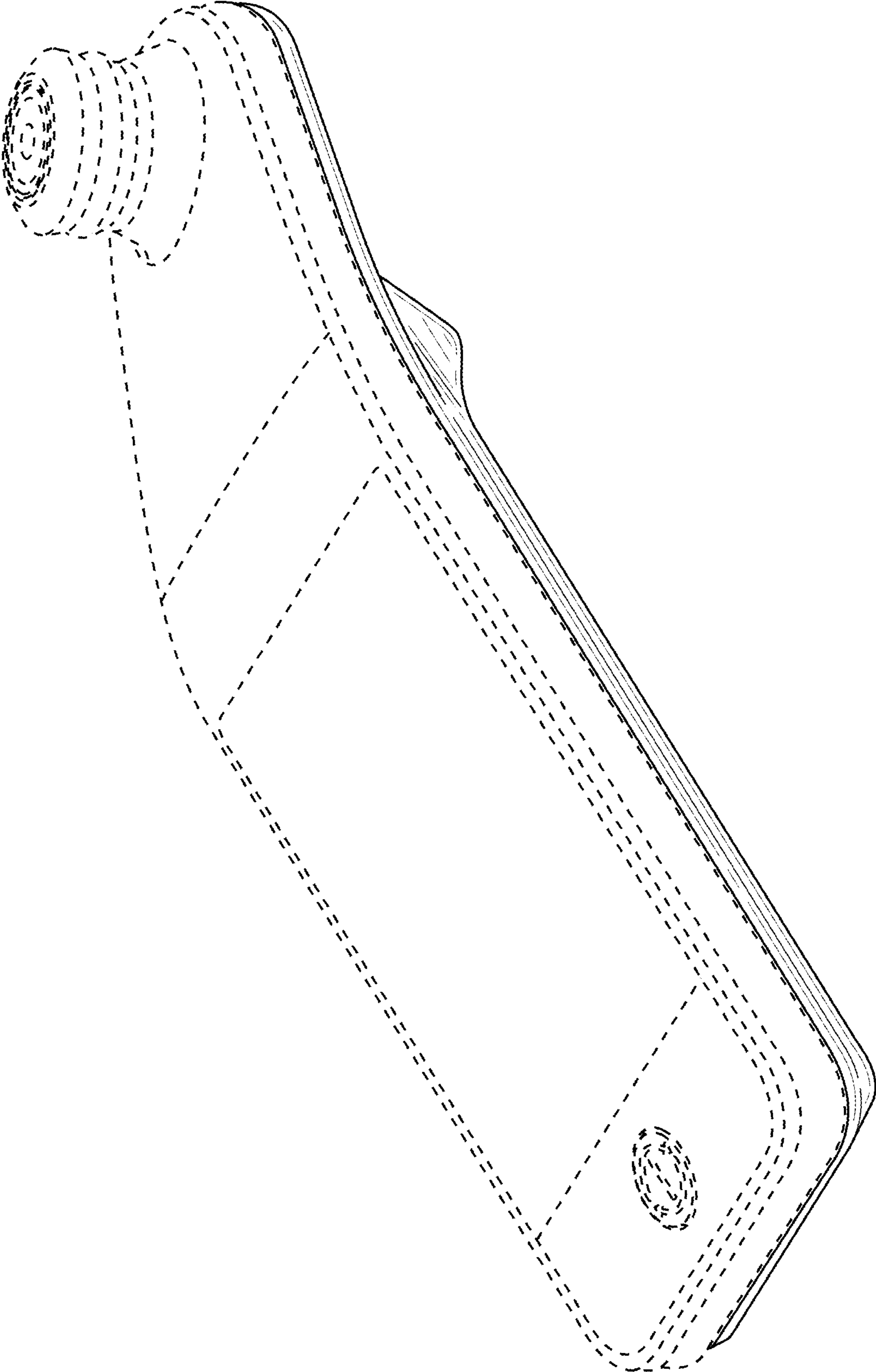


FIG. 1

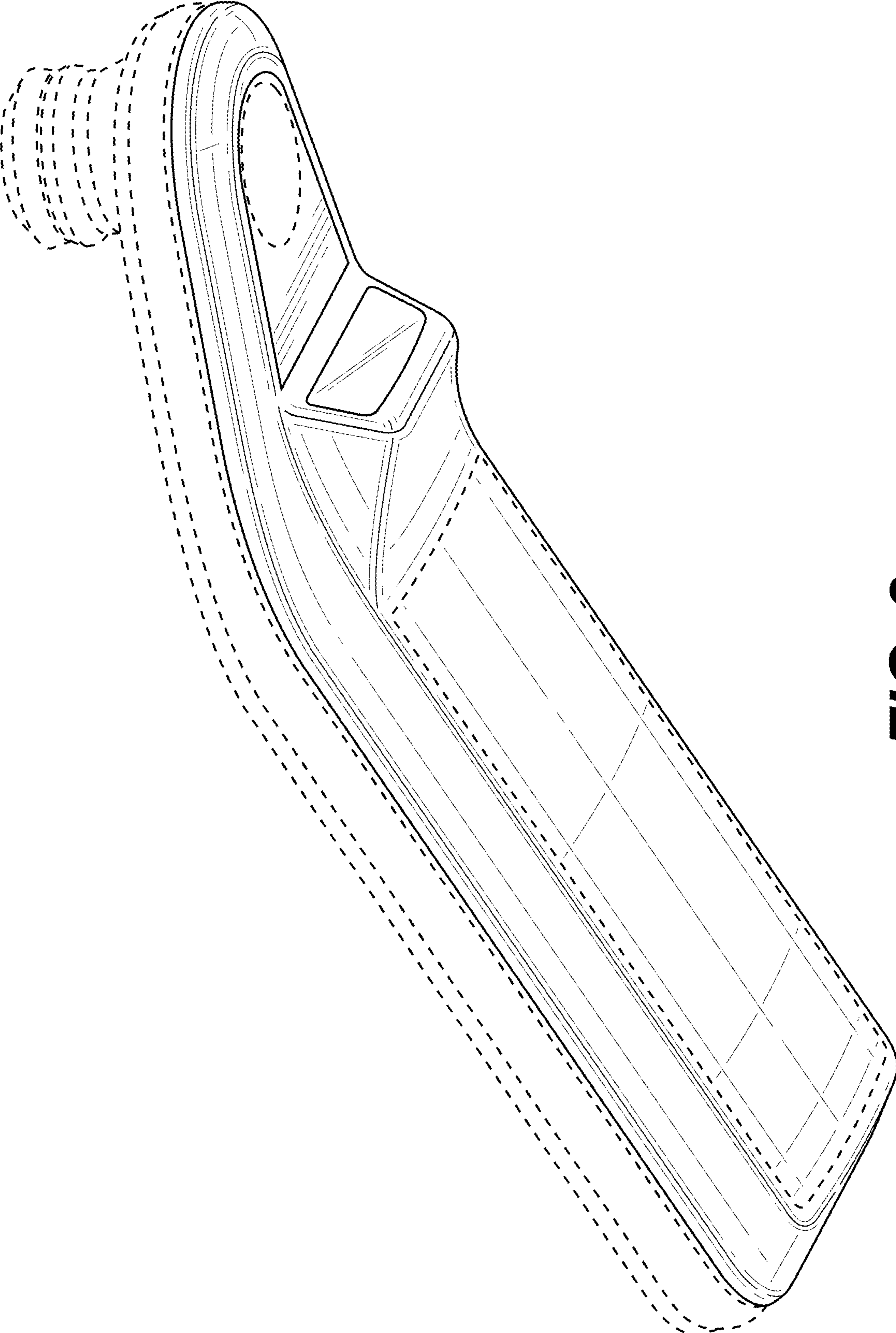


FIG. 2

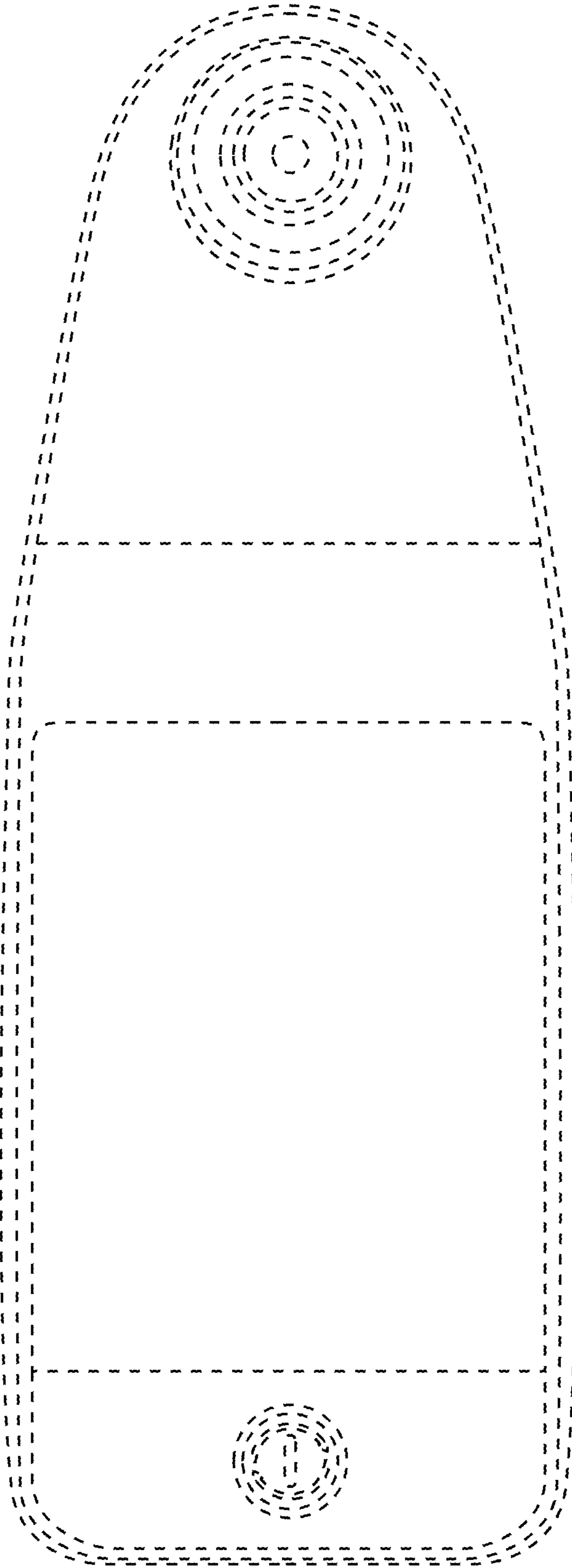


FIG. 3

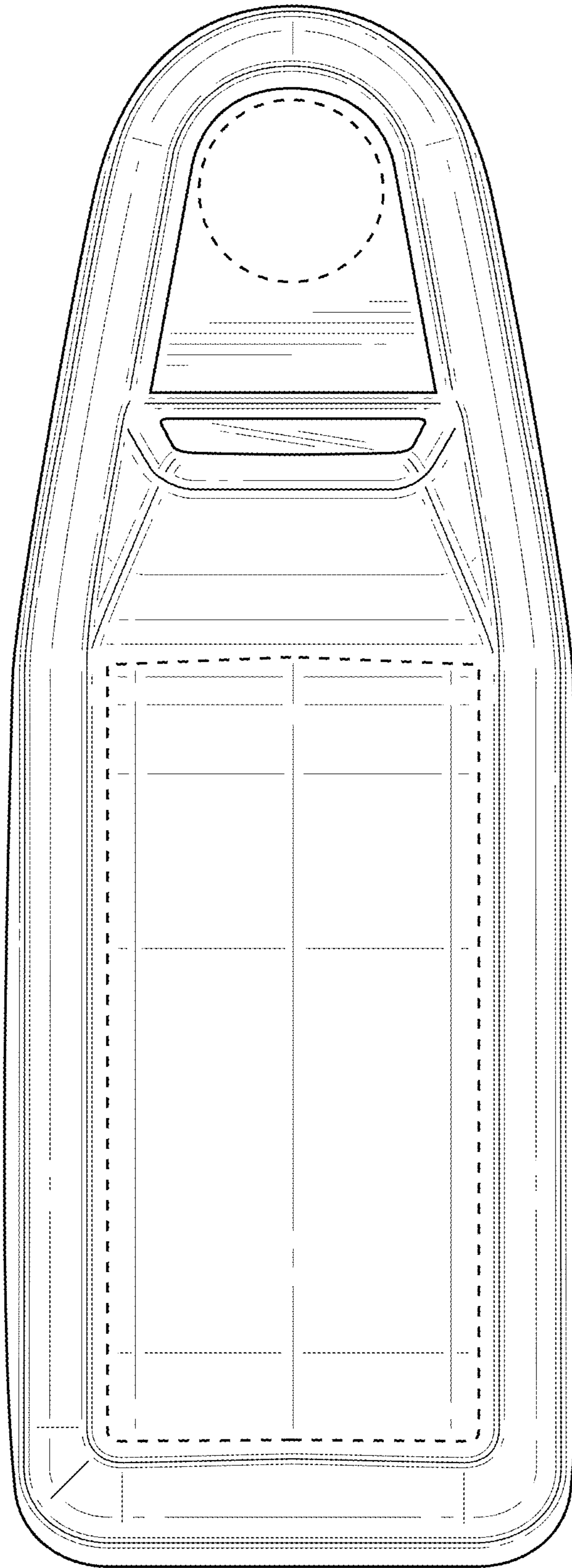


FIG. 4

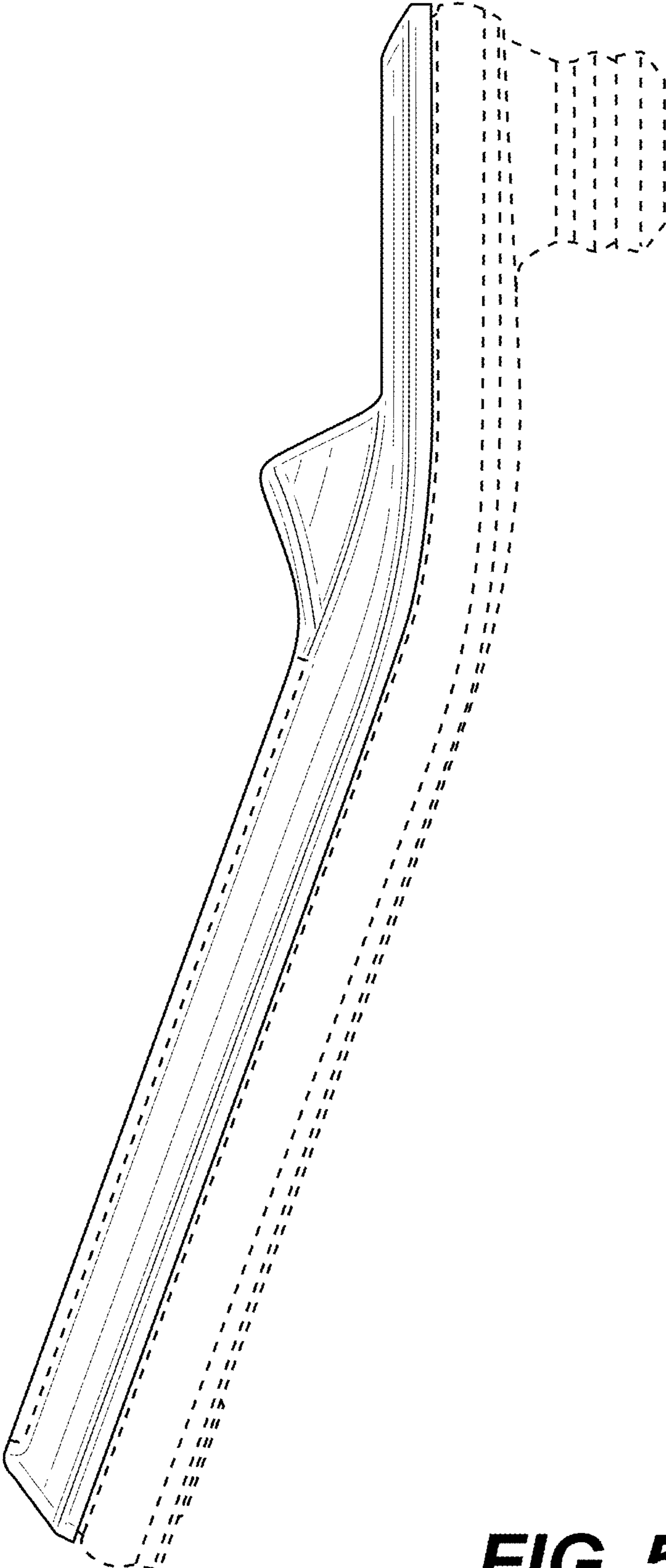


FIG. 5

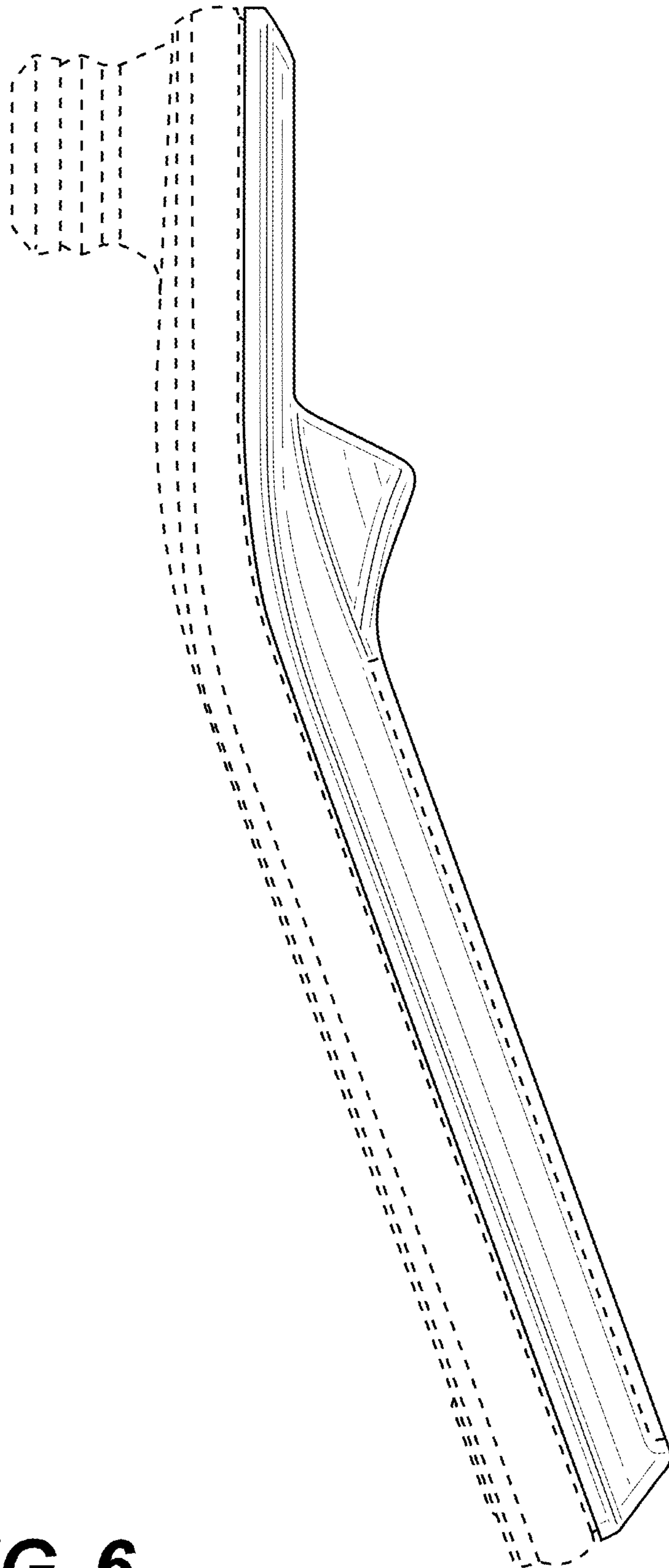


FIG. 6

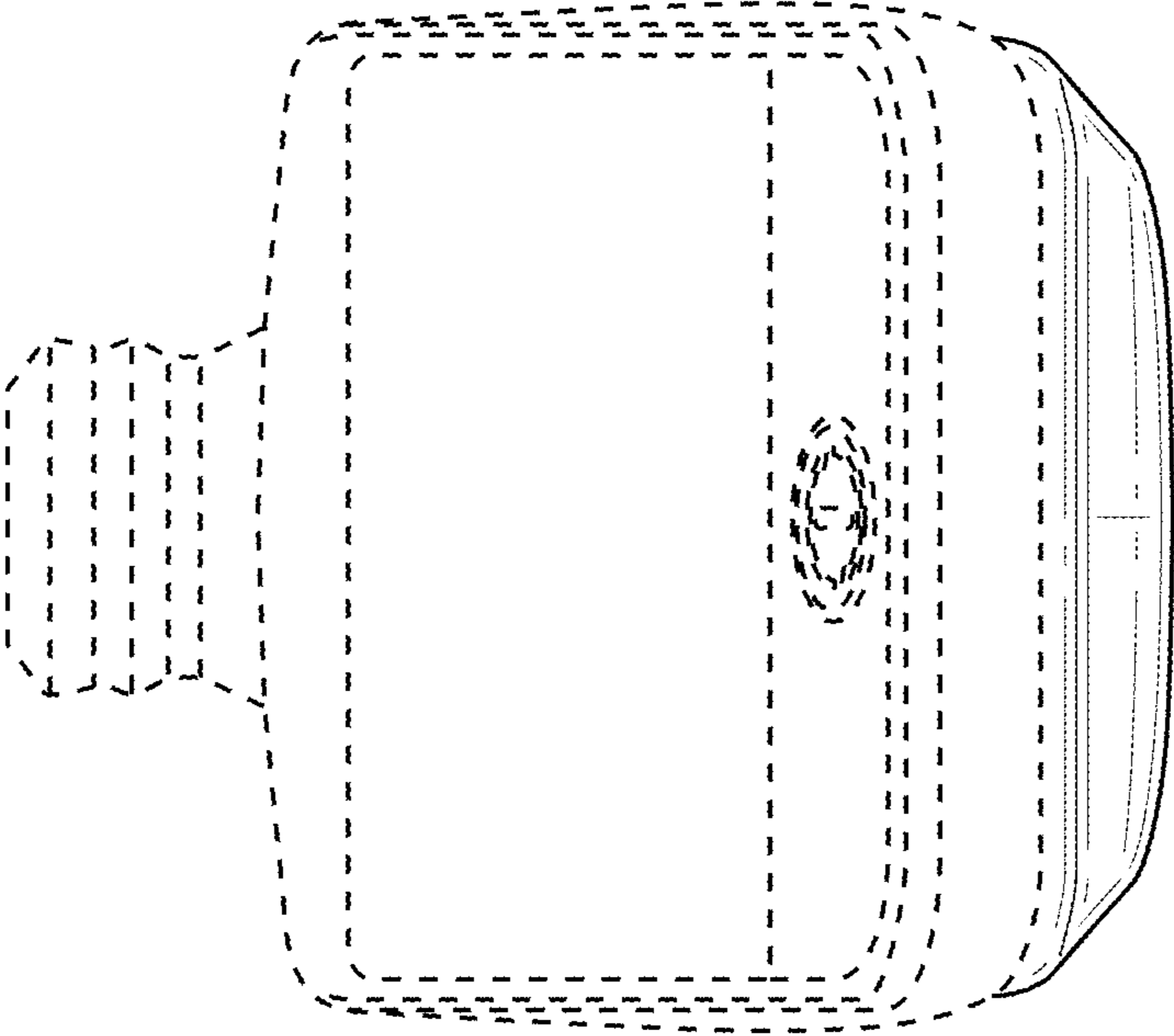


FIG. 7

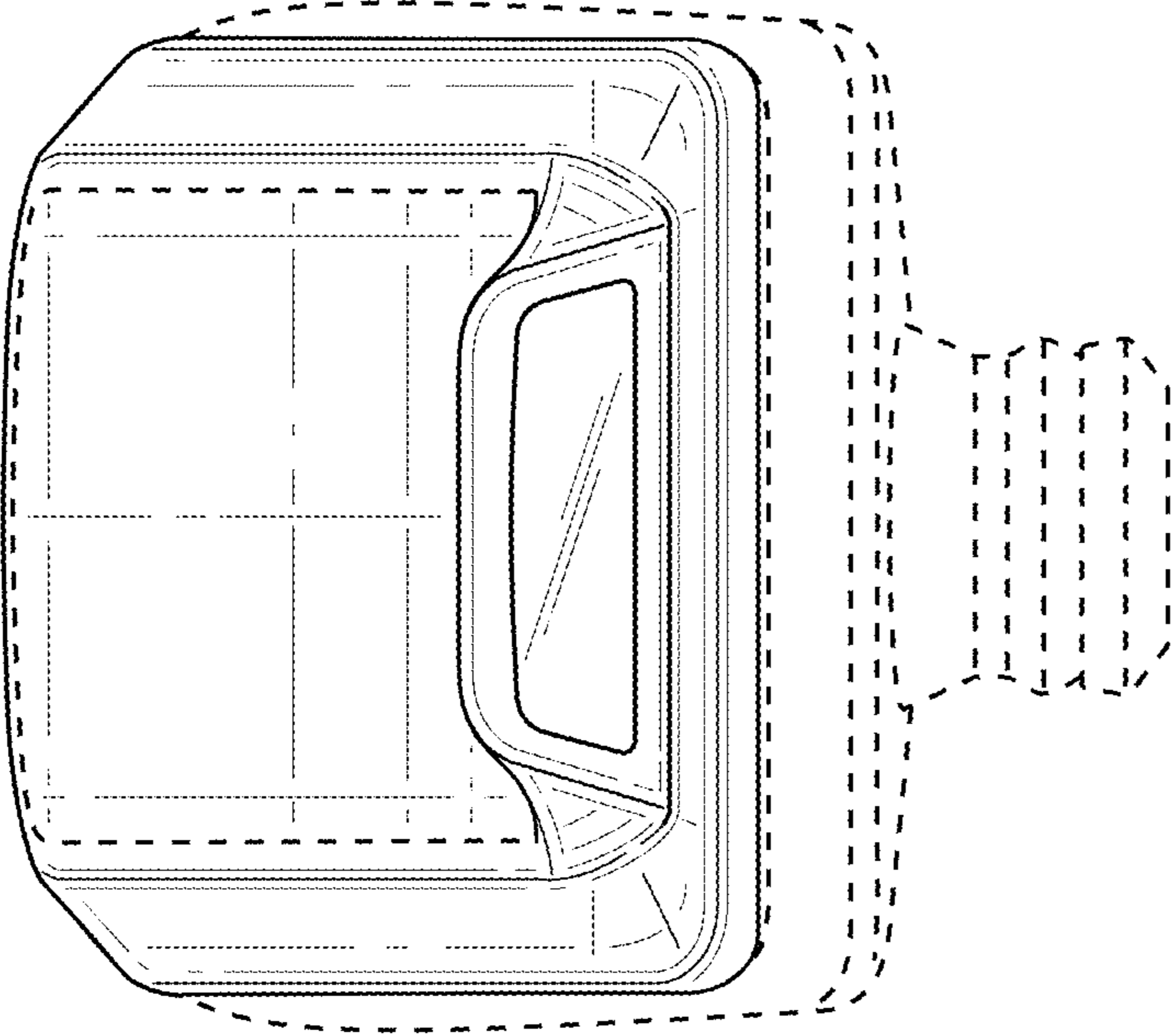


FIG. 8