



US00D954269S

(12) **United States Design Patent**  
**Register et al.**

(10) **Patent No.:** **US D954,269 S**  
(45) **Date of Patent:** **\*\* Jun. 7, 2022**

(54) **COMMUNICATION DEVICE FOR HARD PLASTIC MASKS**

(71) Applicant: **Ataia Inc.**, Roswell, GA (US)

(72) Inventors: **Tyler Andrew Register**, Roswell, GA (US); **Amber Nicole Jackson**, Raleigh, NC (US); **Amy Lynn Foertsch**, Dallas, TX (US)

(73) Assignee: **ATAIA, INC.**, Roswell, GA (US)

(\*\*) Term: **15 Years**

(21) Appl. No.: **29/704,560**

(22) Filed: **Sep. 5, 2019**

**Related U.S. Application Data**

(63) Continuation-in-part of application No. 16/161,914, filed on Oct. 16, 2018, now Pat. No. 10,681,469, which is a continuation of application No. 15/961,509, filed on Apr. 24, 2018, now Pat. No. 10,136,225.

(51) **LOC (13) Cl.** ..... **24-02**

(52) **U.S. Cl.**  
USPC ..... **D24/187**

(58) **Field of Classification Search**  
USPC ..... D24/107, 110.1, 127, 187; D14/225, D14/226, 217  
CPC ..... A62B 18/08; H04R 17/02; H04R 17/00  
See application file for complete search history.

(56) **References Cited**

**U.S. PATENT DOCUMENTS**

2,702,354 A	2/1955	Chorpening	
D243,476 S *	2/1977	Avery	D24/187
4,374,301 A *	2/1983	Frieder, Jr.	H04M 1/05 379/430
4,607,383 A	8/1986	Ingalls	

4,718,415 A	1/1988	Bolnberger et al.	
4,799,263 A	1/1989	Banzinger et al.	
D361,619 S *	8/1995	Phleps	D24/158
5,572,990 A	11/1996	Berlin	
D378,614 S *	3/1997	Jensen	D24/187

(Continued)

**OTHER PUBLICATIONS**

Ataia Medical (on-line), dated Aug. 14, 2020. Retrieved from Internet Oct. 13, 2021, URL: <http://web.archive.org/web/20200814002104/https://222.ataiamedical.com/> (2 pages) (Year: 2020).\*

(Continued)

*Primary Examiner* — Kimberly Barnes  
(74) *Attorney, Agent, or Firm* — Husch Blackwell LLP

(57) **CLAIM**

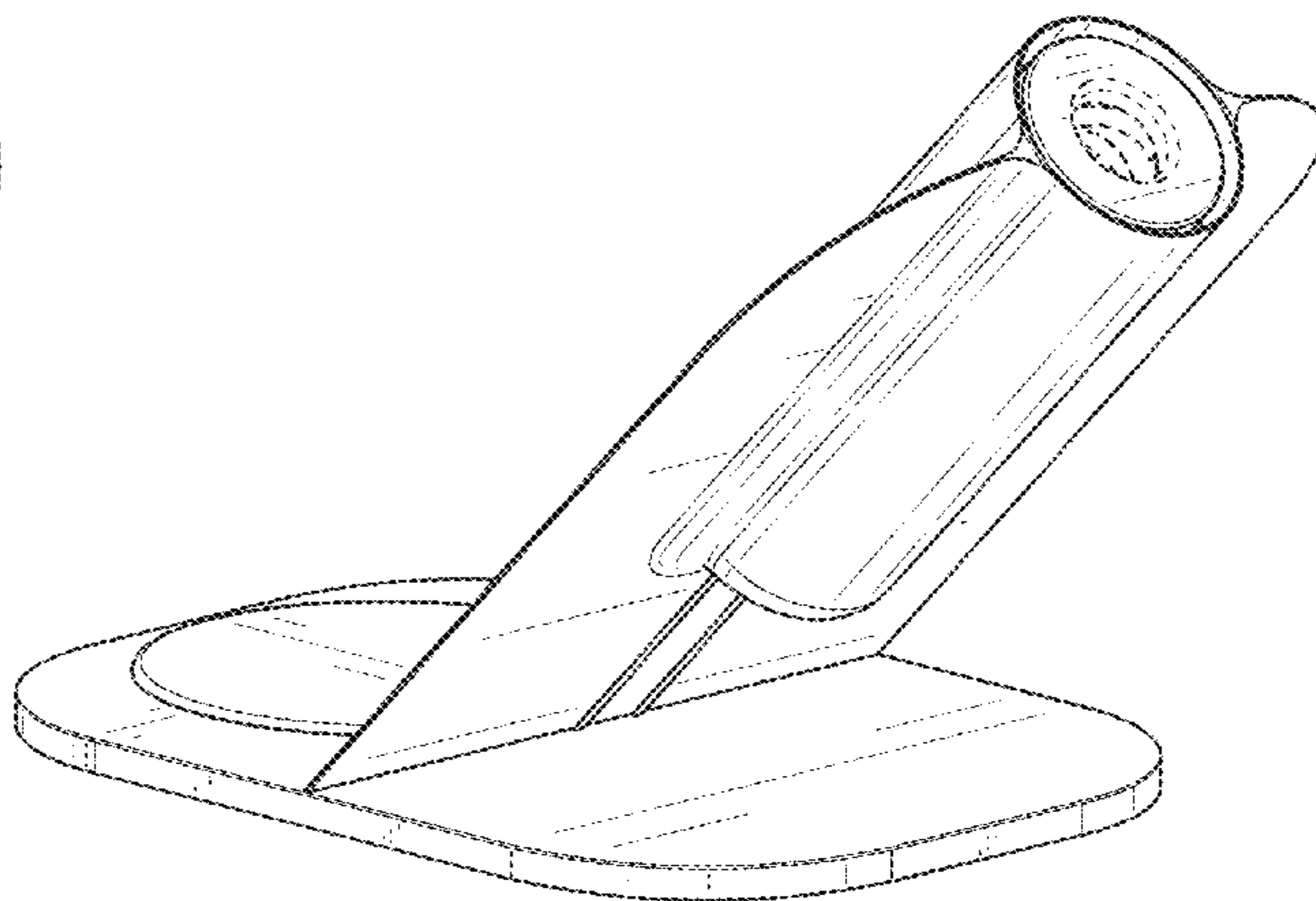
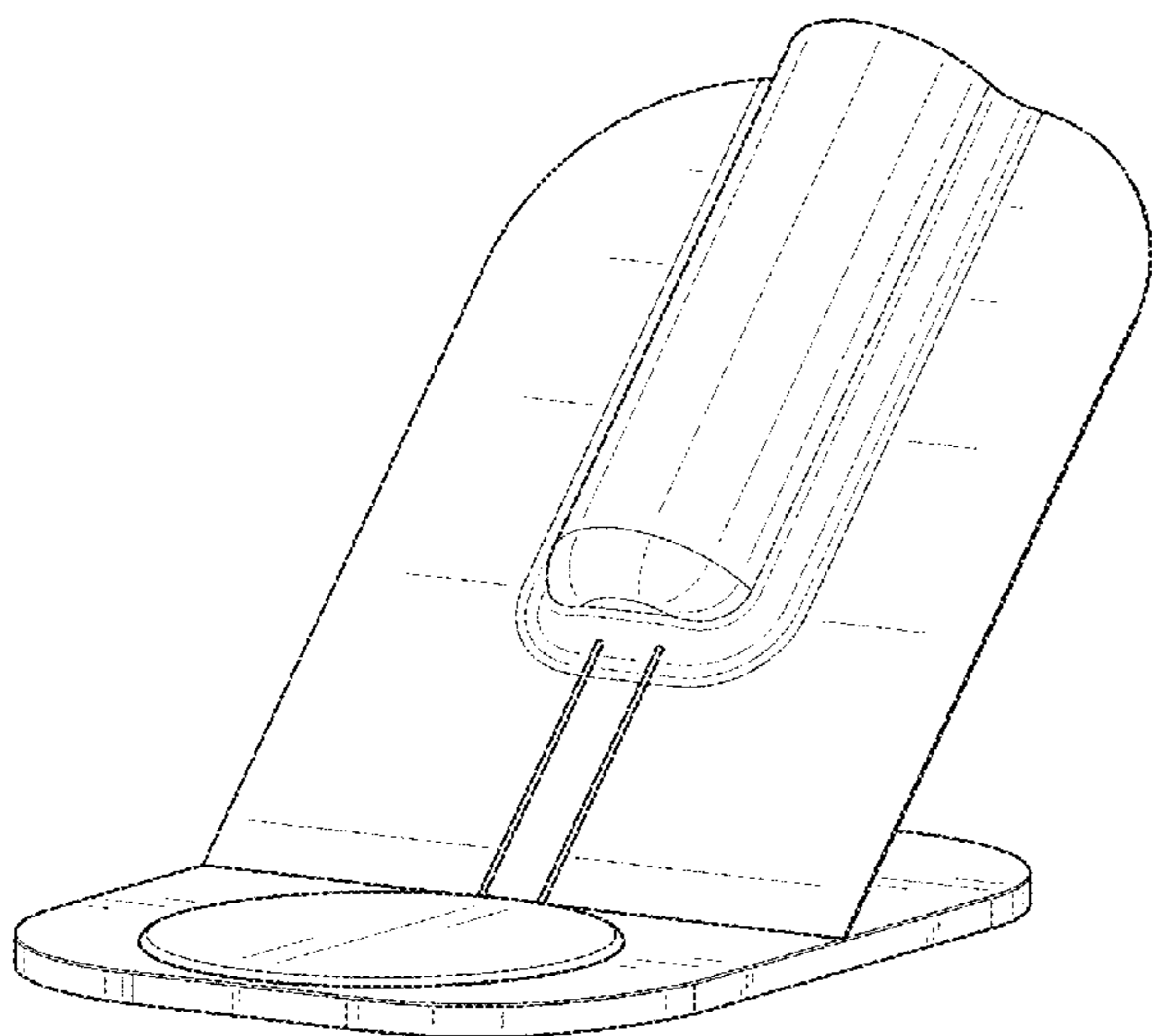
The ornamental design for a communication device for hard plastic masks, as shown and described.

**DESCRIPTION**

FIG. 1 is a perspective view of a communication device for hard plastic masks showing our new design; FIG. 2 is a perspective view of a communication device for hard plastic masks; FIG. 3 is a front view of a communication device for hard plastic masks; FIG. 4 is a rear view of a communication device for hard plastic masks; FIG. 5 is a top view of a communication device for hard plastic masks; FIG. 6 is a bottom view of a communication device for hard plastic masks; and, FIG. 7 is a side view of a communication device for hard plastic masks.

The broken lines shown in the drawings illustrate portions of the communication device for hard plastic masks that form no part of the claimed design.

**1 Claim, 7 Drawing Sheets**



(56)

References Cited

U.S. PATENT DOCUMENTS

D385,037 S \* 10/1997 Jensen ..... D24/187  
 5,845,636 A 12/1998 Gruenke et al.  
 D478,666 S \* 8/2003 Cianciosi ..... D24/158  
 6,811,312 B2 \* 11/2004 Bratslavsky ..... G03B 42/042  
 378/191  
 D504,722 S \* 5/2005 Cianciosi ..... D24/158  
 D511,004 S \* 10/2005 Masuda ..... D24/187  
 D511,384 S \* 11/2005 Masuda ..... D24/187  
 6,997,178 B1 2/2006 Reynaud  
 6,999,732 B2 \* 2/2006 Fukuda ..... H04R 1/02  
 455/100  
 D565,184 S \* 3/2008 Royzen ..... D24/168  
 7,783,034 B2 \* 8/2010 Manne ..... H04M 1/19  
 379/441  
 D624,189 S \* 9/2010 Rutt ..... D24/187  
 D629,524 S \* 12/2010 Zeller ..... D24/187  
 7,972,060 B2 \* 7/2011 Guichard ..... A61B 6/145  
 378/191  
 D665,085 S \* 8/2012 Strother ..... D24/187  
 9,622,694 B2 \* 4/2017 Mao ..... A61B 5/14553  
 D787,684 S \* 5/2017 Vezina ..... D24/187

D794,568 S \* 8/2017 Wardenburg ..... D13/133  
 D827,837 S \* 9/2018 Pascal ..... D24/186  
 D862,709 S \* 10/2019 Besko ..... D24/187  
 D877,886 S \* 3/2020 Register ..... D24/110.1  
 2003/0224838 A1 \* 12/2003 Skillicorn ..... H04R 1/083  
 455/575.2  
 2007/0003096 A1 1/2007 Nam  
 2008/0083411 A1 \* 4/2008 Guth ..... A62B 18/08  
 128/206.12  
 2011/0290256 A1 12/2011 Sather  
 2011/0299713 A1 12/2011 Moller et al.  
 2012/0055471 A1 3/2012 Hadas et al.  
 2016/0001110 A1 1/2016 Hamilton  
 2016/0127841 A1 5/2016 Horii  
 2017/0326388 A1 \* 11/2017 Ferguson ..... A62B 18/003  
 2018/0116863 A1 5/2018 Shah et al.  
 2020/0304919 A1 9/2020 Register et al.

OTHER PUBLICATIONS

International Search Report dated Jul. 20, 2018 for international patent application No. PCT/US18/29158.

\* cited by examiner

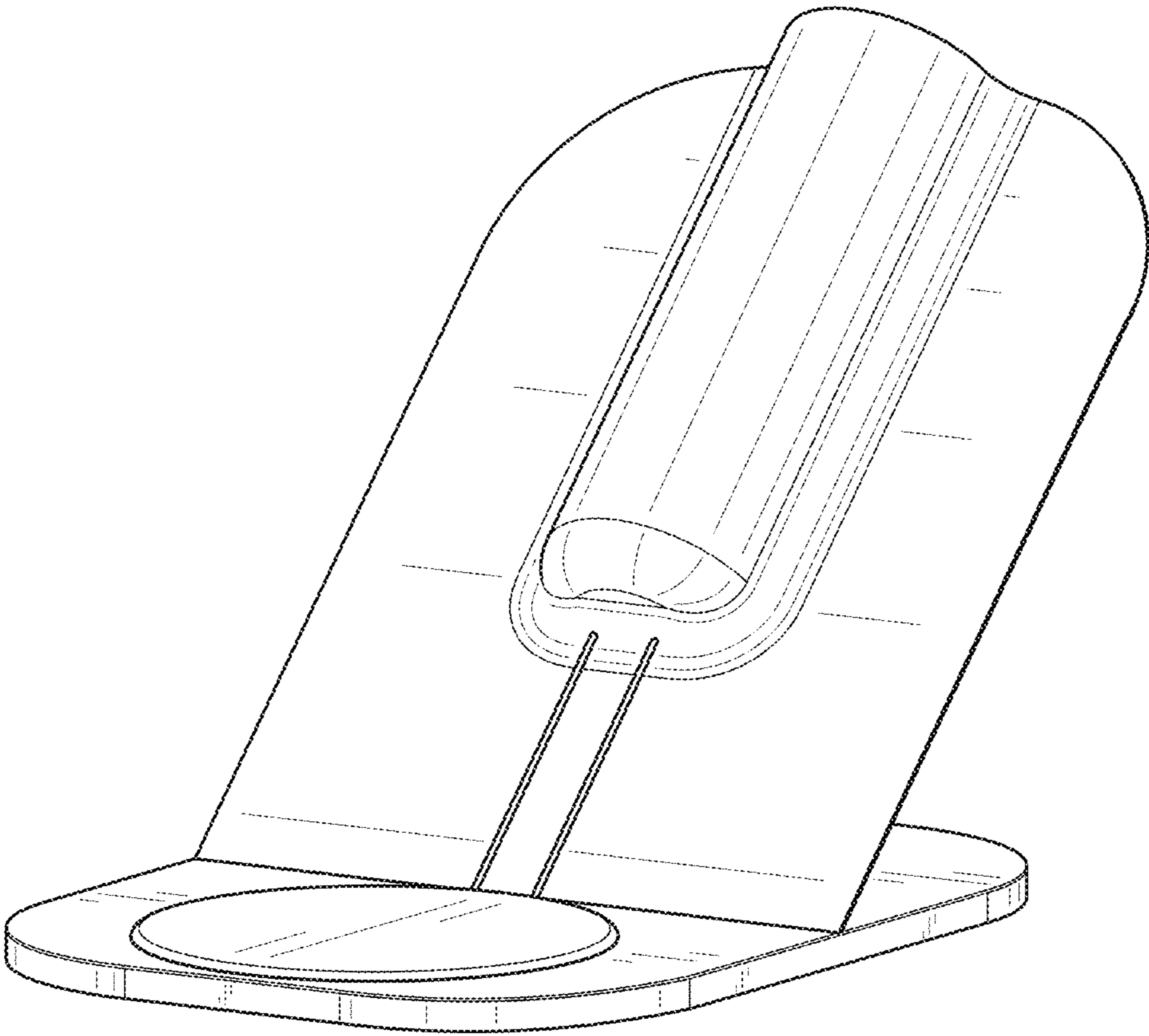


FIG. 1

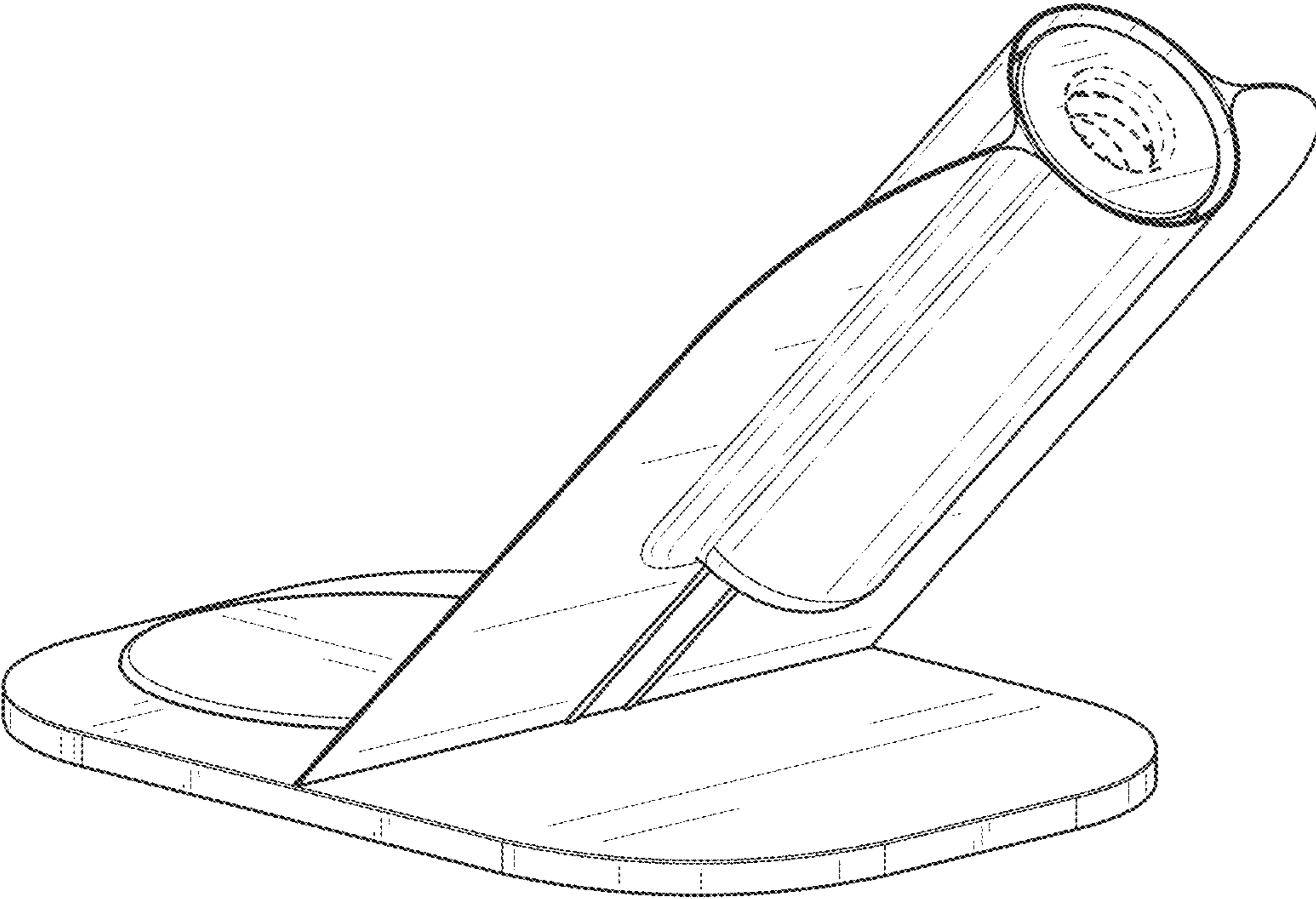


FIG. 2

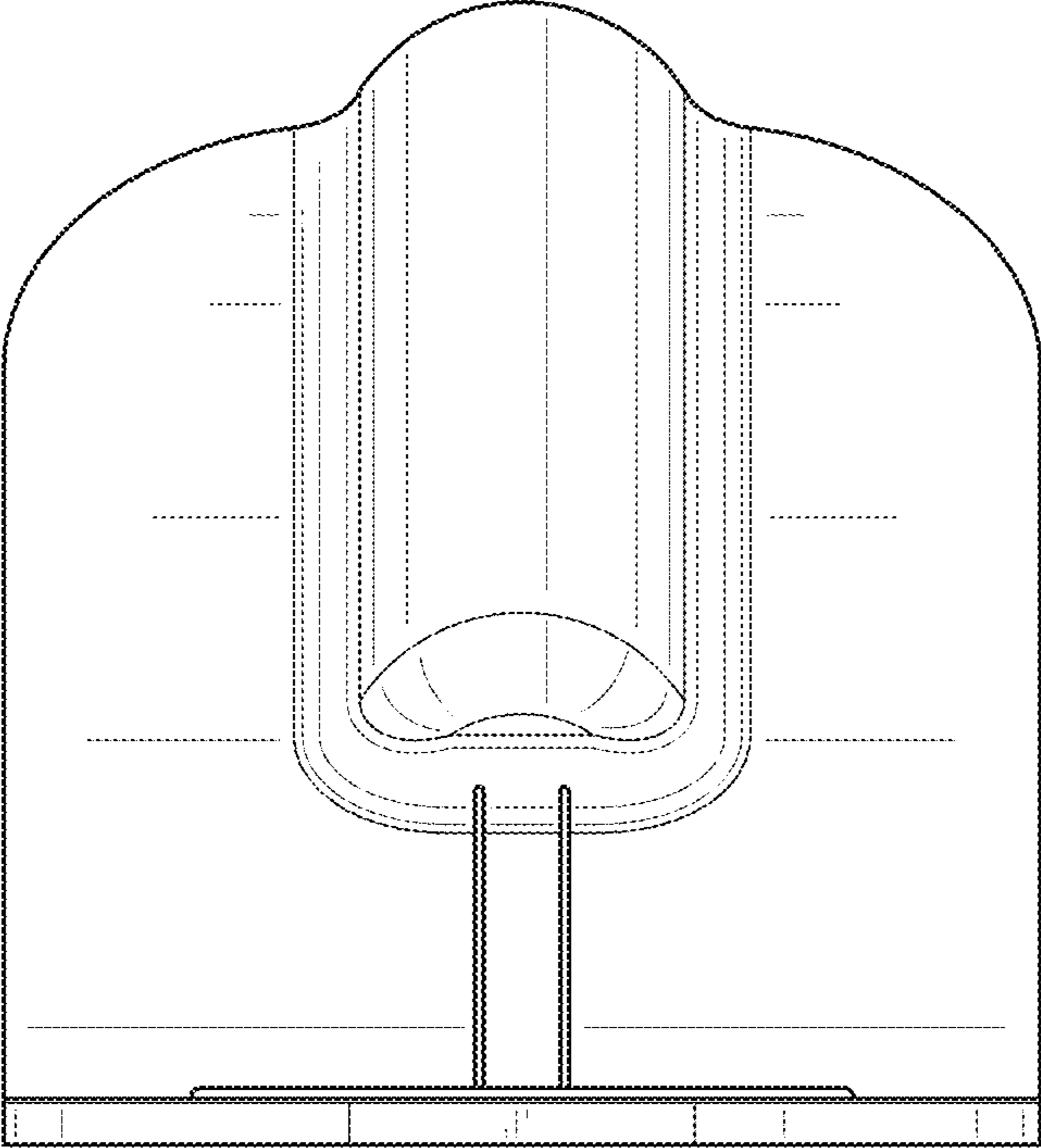


FIG. 3

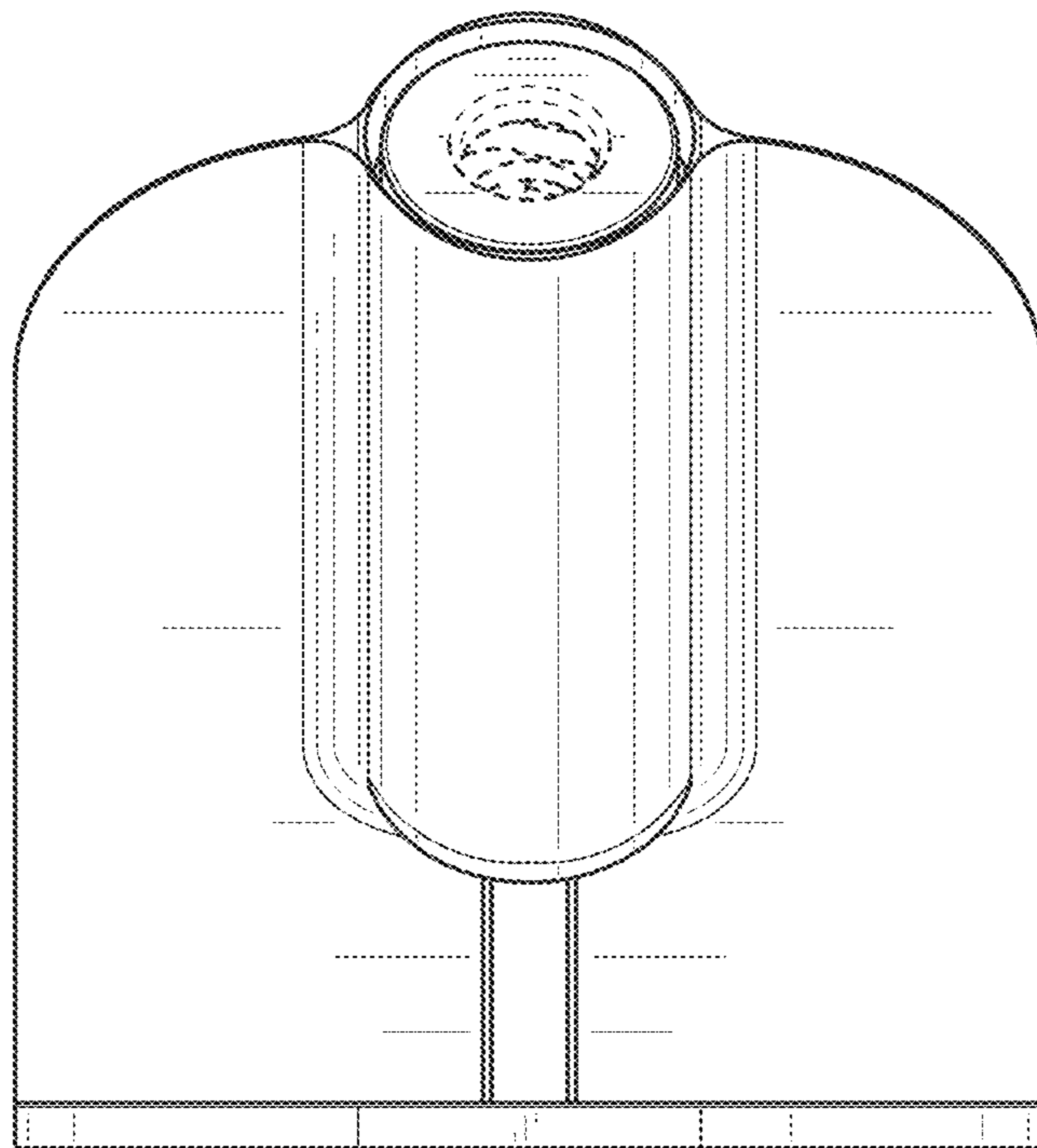


FIG. 4

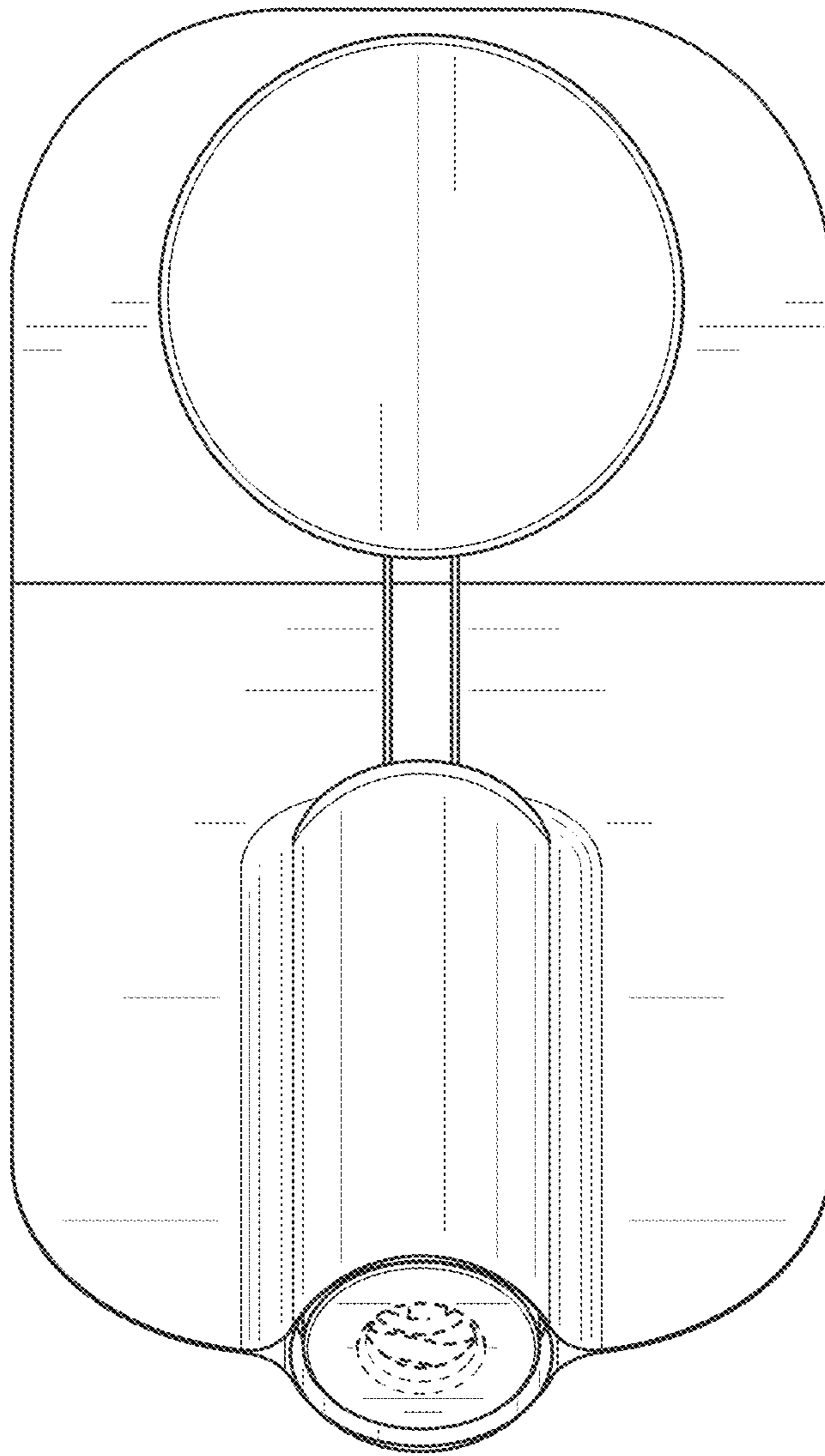


FIG. 5

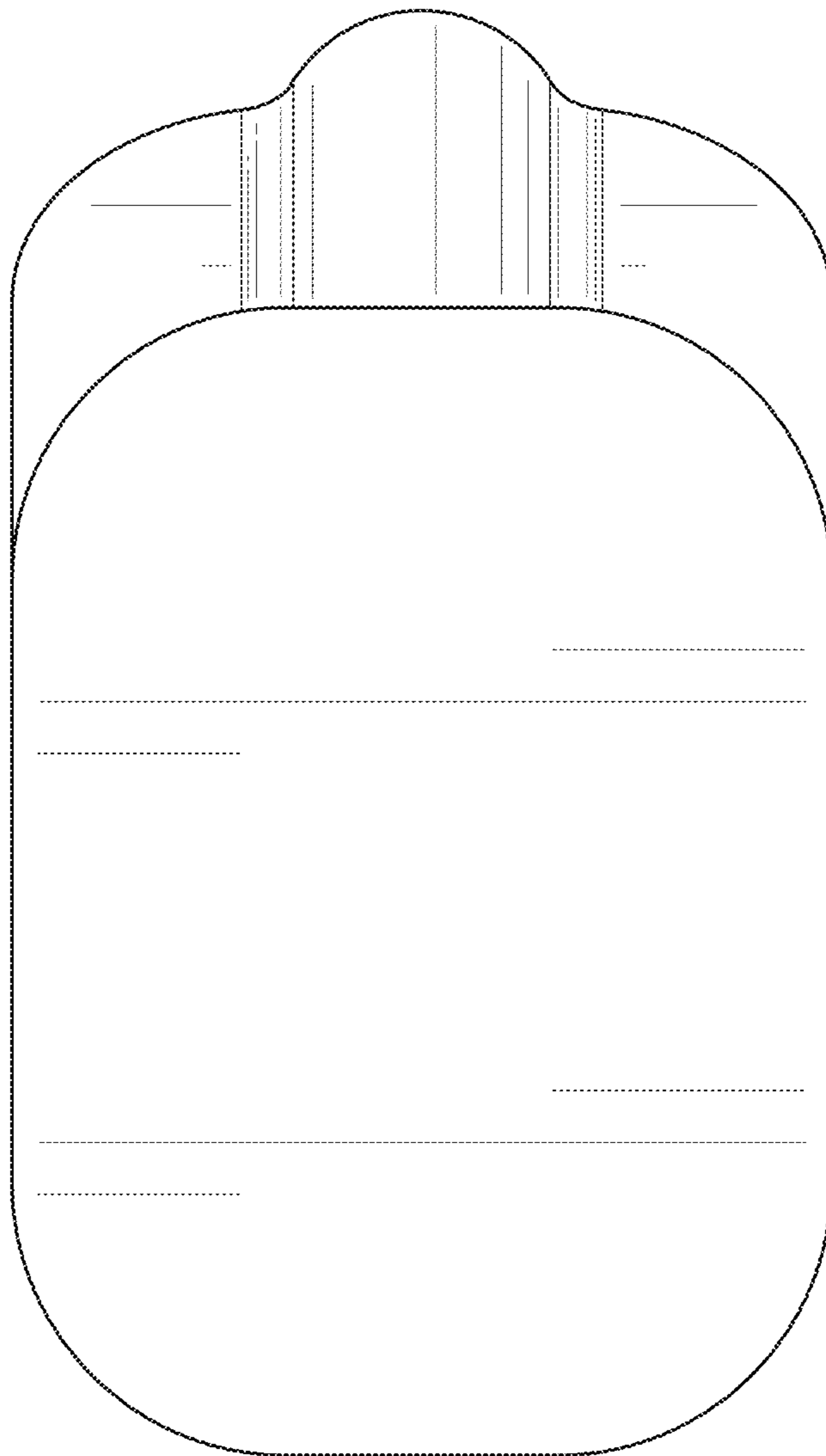


FIG. 6



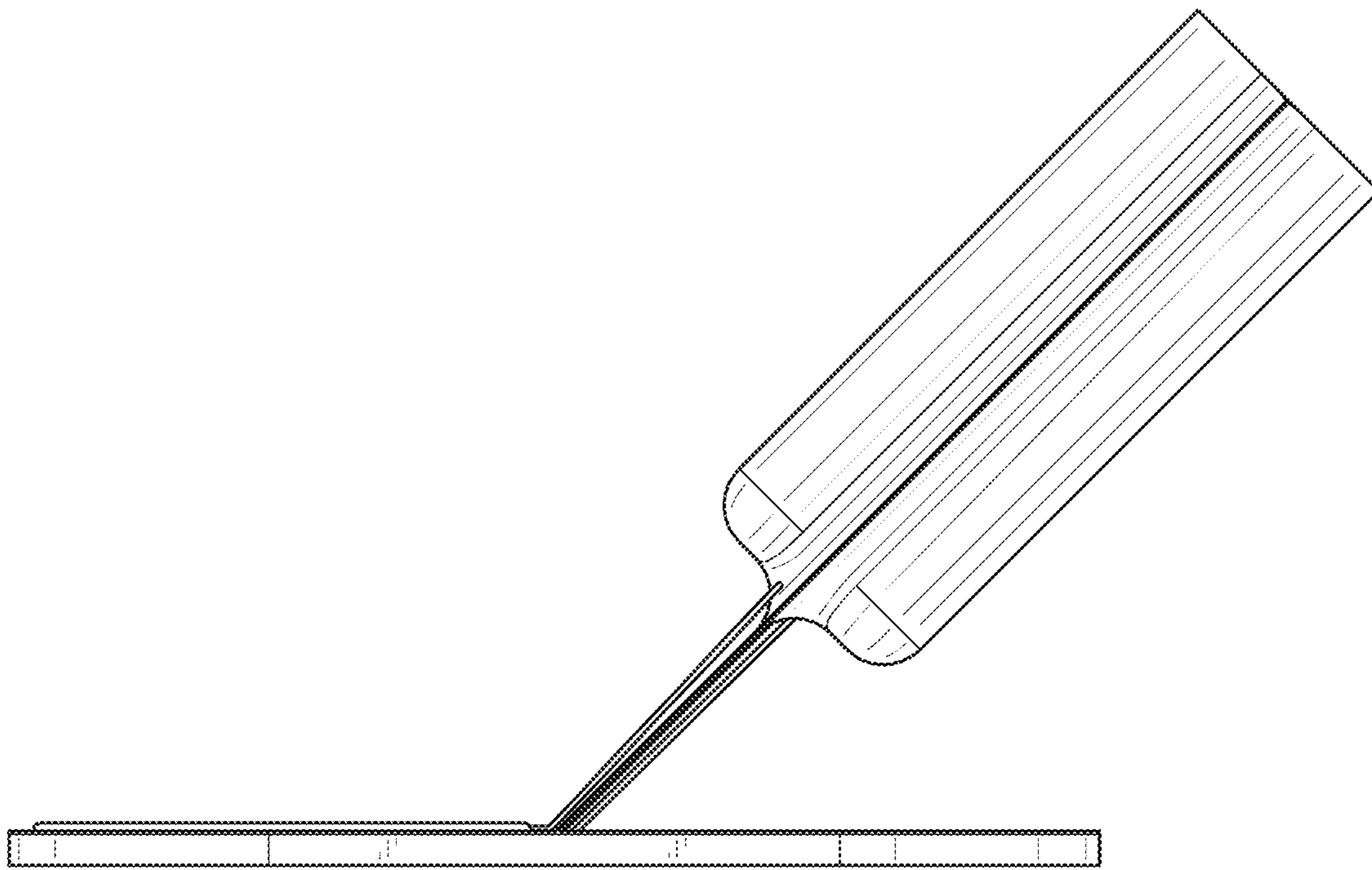


FIG. 7