



US00D954268S

(12) **United States Design Patent** (10) **Patent No.:** **US D954,268 S**  
**Burns et al.** (45) **Date of Patent:** **\*\* Jun. 7, 2022**

(54) **DISPOSABLE SENSOR ATTACHMENT DESIGN**

(71) Applicant: **Bruin Biometrics, LLC**, Los Angeles, CA (US)

(72) Inventors: **Martin F. Burns**, Los Angeles, CA (US); **Graham O. Ross**, Oceanside, CA (US)

(73) Assignee: **Bruin Biometrics, LLC**, Los Angeles, CA (US)

(\*\*) Term: **15 Years**

(21) Appl. No.: **29/755,782**

(22) Filed: **Oct. 22, 2020**

**Related U.S. Application Data**

(62) Division of application No. 29/679,908, filed on Feb. 11, 2019, now Pat. No. Des. 903,125.

(51) **LOC (13) Cl.** ..... **24-01**

(52) **U.S. Cl.**  
USPC ..... **D24/186**; D10/80; D10/103; D24/188

(58) **Field of Classification Search**  
USPC ..... D10/78, 80, 81, 103; D24/186, 188  
(Continued)

(56) **References Cited**

**U.S. PATENT DOCUMENTS**

D343,801 S 2/1994 Burns et al.  
D356,641 S 3/1995 Stewart et al.  
(Continued)

**FOREIGN PATENT DOCUMENTS**

JP D1154585 10/2019

**OTHER PUBLICATIONS**

Arjo—Pressure Injury Prevention—Provizio SEM Scanner—How and where to scan. Online, published date Apr. 20, 2021. Retrieved on Sep. 13, 2021 from <https://www.youtube.com/watch?v=2U3F5OBqN68> (2021).

(Continued)

*Primary Examiner* — Antoine Duval Davis  
(74) *Attorney, Agent, or Firm* — Arnold & Porter Kaye Scholer LLP

(57) **CLAIM**

The ornamental design for a disposable sensor attachment design, substantially shown and described.

**DESCRIPTION**

FIG. 1 is a first perspective view of a second design aspect of a disposable sensor attachment design.

FIG. 2 is a second perspective view of the disposable sensor attachment design of FIG. 9.

FIG. 3 is a top view of the disposable sensor attachment design of FIG. 9.

FIG. 4 is a front view of the disposable sensor attachment design of FIG. 9.

FIG. 5 is a left-hand-side view of the disposable sensor attachment design of FIG. 9.

FIG. 6 is a right-hand-side view of the disposable sensor attachment design of FIG. 9.

FIG. 7 is a rear view of the disposable sensor attachment design of FIG. 9.

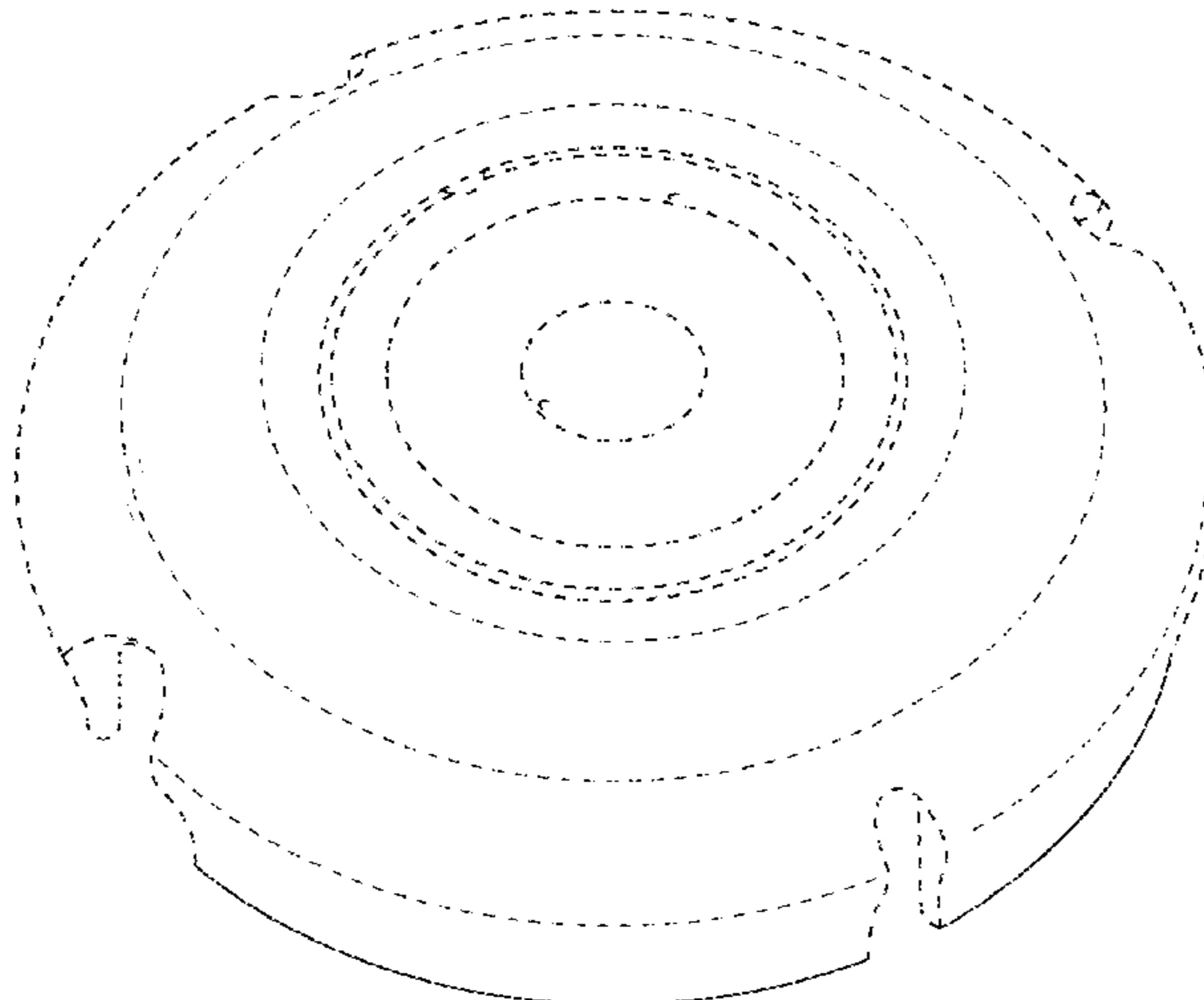
FIG. 8 is a bottom view of the disposable sensor attachment design of FIG. 9; and,

FIG. 9 is a cross-sectional view of the disposable sensor attachment design of FIG. 9.

The broken lines depict portions of the disposable sensor attachment design that form no part of the claim.

Also, the references to “perspective,” “front,” “back,” “side,” and “top” views in the Figures and Descriptions are not necessarily meant to require any specific orientation of the article as viewed. A disposable sensor attachment design according to the claimed design may be used in any orientation.

**1 Claim, 6 Drawing Sheets**



(58) **Field of Classification Search**  
 CPC ..... A61B 5/0537; A61B 5/6801; A61B 5/742;  
 A61B 5/7278; A61B 5/746; A61B  
 5/0531; A61B 5/445; A61B 5/4875; A61B  
 5/447; A61B 5/6843; A61B 2560/0468;  
 A61B 2562/046  
 See application file for complete search history.

(56) **References Cited**  
 U.S. PATENT DOCUMENTS

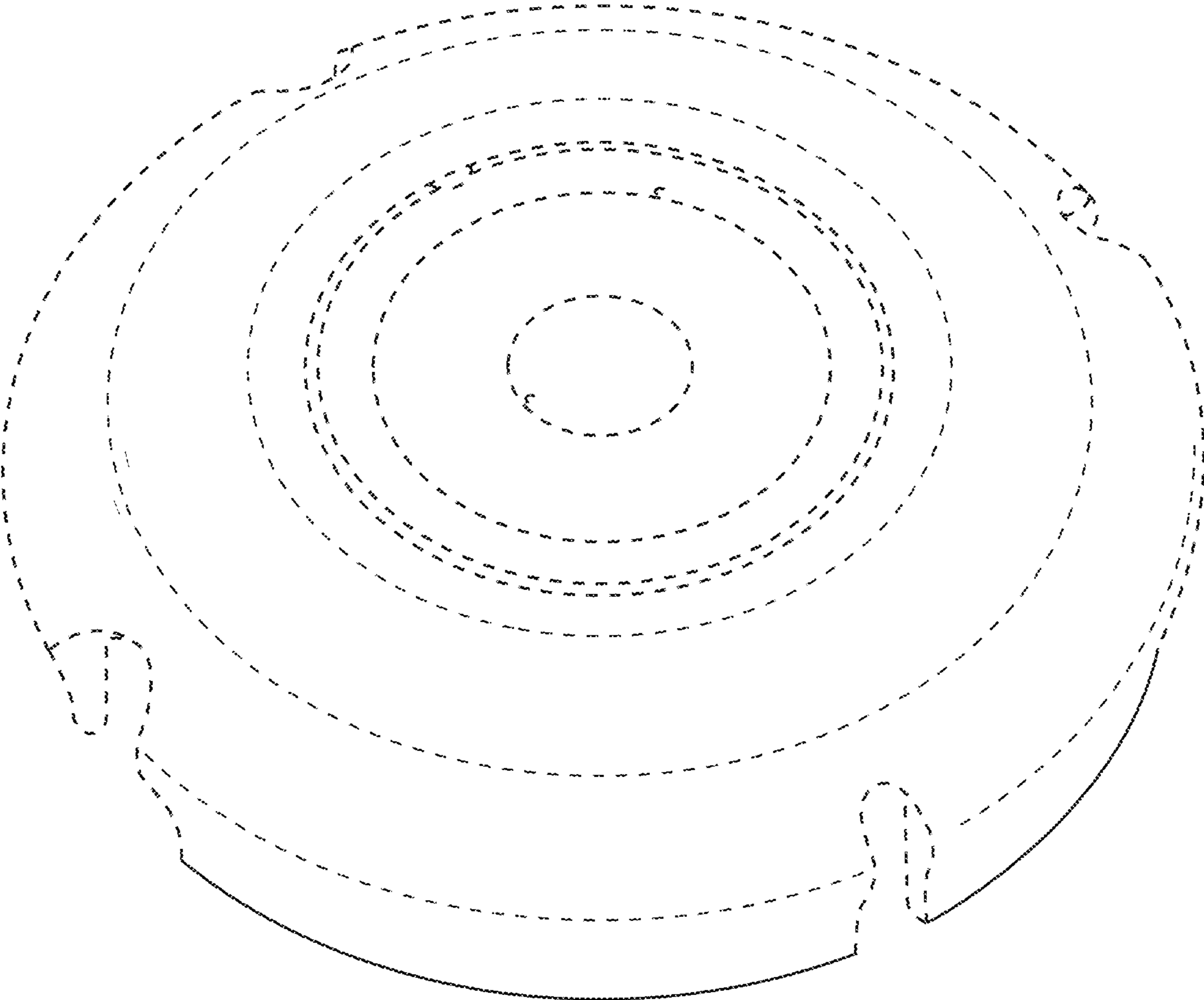
D377,393 S 1/1997 Sams  
 5,812,688 A 9/1998 Gibson  
 7,226,223 B2 6/2007 Chan  
 D546,334 S 7/2007 Seo et al.  
 D586,353 S 2/2009 Lee et al.  
 D607,010 S 12/2009 Kocmick  
 D628,584 S 12/2010 Umezawa  
 D659,840 S 5/2012 Cheng et al.  
 D673,681 S 1/2013 Boudier  
 D696,264 S 12/2013 d'Amore et al.  
 D701,238 S 3/2014 Lai et al.  
 D704,581 S 5/2014 Ho et al.  
 D711,896 S 8/2014 Hanson et al.  
 D728,615 S 5/2015 Guzman et al.  
 D742,518 S 11/2015 Barak et al.  
 D746,828 S 1/2016 Arai et al.  
 D746,859 S 1/2016 Sabia et al.  
 D750,660 S 3/2016 Caldwell  
 D751,108 S 3/2016 Caldwell  
 9,304,659 B2 4/2016 Sherrard et al.  
 D763,278 S 8/2016 Cavander et al.  
 D763,306 S 8/2016 Lee et al.  
 D781,882 S 3/2017 Rad et al.  
 D783,676 S 4/2017 Kim et al.  
 D787,684 S 5/2017 Vezina  
 D789,545 S 6/2017 Pippel et al.  
 D795,923 S 8/2017 Kim et al.  
 D796,355 S 9/2017 Cho et al.  
 D796,520 S 9/2017 Klar et al.  
 9,763,596 B2 9/2017 Tonar et al.  
 D801,998 S 11/2017 Im et al.  
 D810,952 S 2/2018 Hsu  
 D816,107 S 4/2018 Kim et al.  
 D820,877 S 6/2018 Inman et al.  
 D824,034 S 7/2018 Pushpala et al.  
 D824,404 S 7/2018 DiNicola et al.  
 D827,843 S 9/2018 Bainton et al.  
 D834,713 S 11/2018 Myers et al.  
 10,117,607 B2 11/2018 Riesinger  
 D849,053 S 5/2019 Niven et al.

D850,626 S 6/2019 Gardner et al.  
 D854,025 S 7/2019 Rad et al.  
 D854,950 S 7/2019 Seum et al.  
 D857,911 S 8/2019 Huang  
 D860,245 S 9/2019 Smith et al.  
 D863,574 S 10/2019 Yan  
 D864,222 S 10/2019 Paulina et al.  
 D864,994 S 10/2019 Cornell  
 D872,764 S 1/2020 Pazmino et al.  
 10,537,248 B2 1/2020 Hong  
 10,537,304 B2 1/2020 Barthe et al.  
 D881,923 S 4/2020 Chu et al.  
 D881,935 S 4/2020 Samanta et al.  
 D882,432 S \* 4/2020 Yee ..... A61B 5/742  
 D24/186  
 D884,737 S 5/2020 Tran et al.  
 D886,847 S 6/2020 Harder et al.  
 D888,744 S 6/2020 Valladares et al.  
 D896,971 S 9/2020 Held et al.  
 D897,542 S 9/2020 Klock et al.  
 D902,381 S 11/2020 Inoue et al.  
 D903,125 S 11/2020 Burns et al.  
 D914,898 S 3/2021 Britt et al.  
 D918,209 S 5/2021 Kenworthy et al.  
 D921,023 S 6/2021 Kwon  
 D921,899 S 6/2021 Suarez et al.  
 D924,890 S 7/2021 Flood et al.  
 2010/0333029 A1 12/2010 Smith  
 2011/0035691 A1 2/2011 Kim et al.  
 2014/0149920 A1 5/2014 Wang  
 2014/0334691 A1 11/2014 Cho et al.  
 2019/0121826 A1 4/2019 LeVell  
 2020/0127398 A1 4/2020 Burns et al.  
 2021/0076974 A1 3/2021 Burns et al.

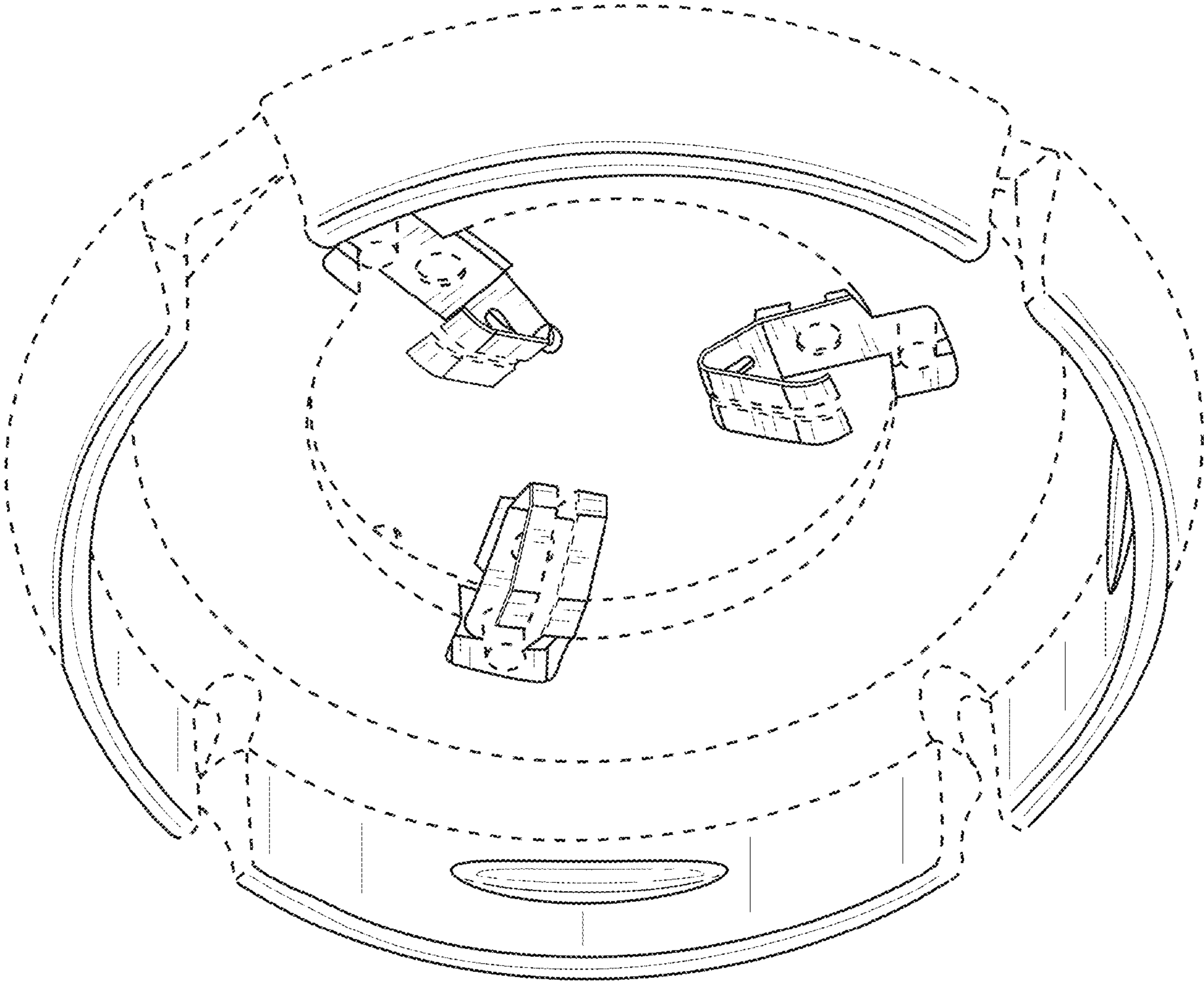
OTHER PUBLICATIONS

Euler Diagrams, Lectures of Metaphysics and Logic, vol. 4: Lec-  
 tures on Logic vol. 1, 3rd ed., Edinburgh: Mansel & Veitch, 1874  
 [retrieved on Aug. 5, 2021]. Retrieved from the Internet: <URL:  
[https://commons.wikimedia.org/wiki/File:Hamilton\\_Lectures\\_on\\_Logic\\_1874\\_Euler\\_Diagrams.png](https://commons.wikimedia.org/wiki/File:Hamilton_Lectures_on_Logic_1874_Euler_Diagrams.png)> (1874).  
 HP Ipaq Rx3715—Recomendações, palmmania.blogspot.com [online],  
 published on Jan. 28, 2007, [retrieved on Aug. 5, 2021], retrieved  
 from the Internet <URL: [palmmania.blogspot.com/2007/01/](http://palmmania.blogspot.com/2007/01/)> (2013).  
 TV App Bubble, by Xpired, dribbble.com [online], published on Feb.  
 12, 2013, [retrieved on Aug. 5, 2021], retrieved from the Internet  
 <URL: <https://dribbble.com/shots/939059-Tv-App-Bubble>> (2013).  
 “Quick Start Guide,” Provizio™ SEM Scanner, CO770 OTH-  
 SEM250-0357 Rev. C (Feb. 11, 2020).

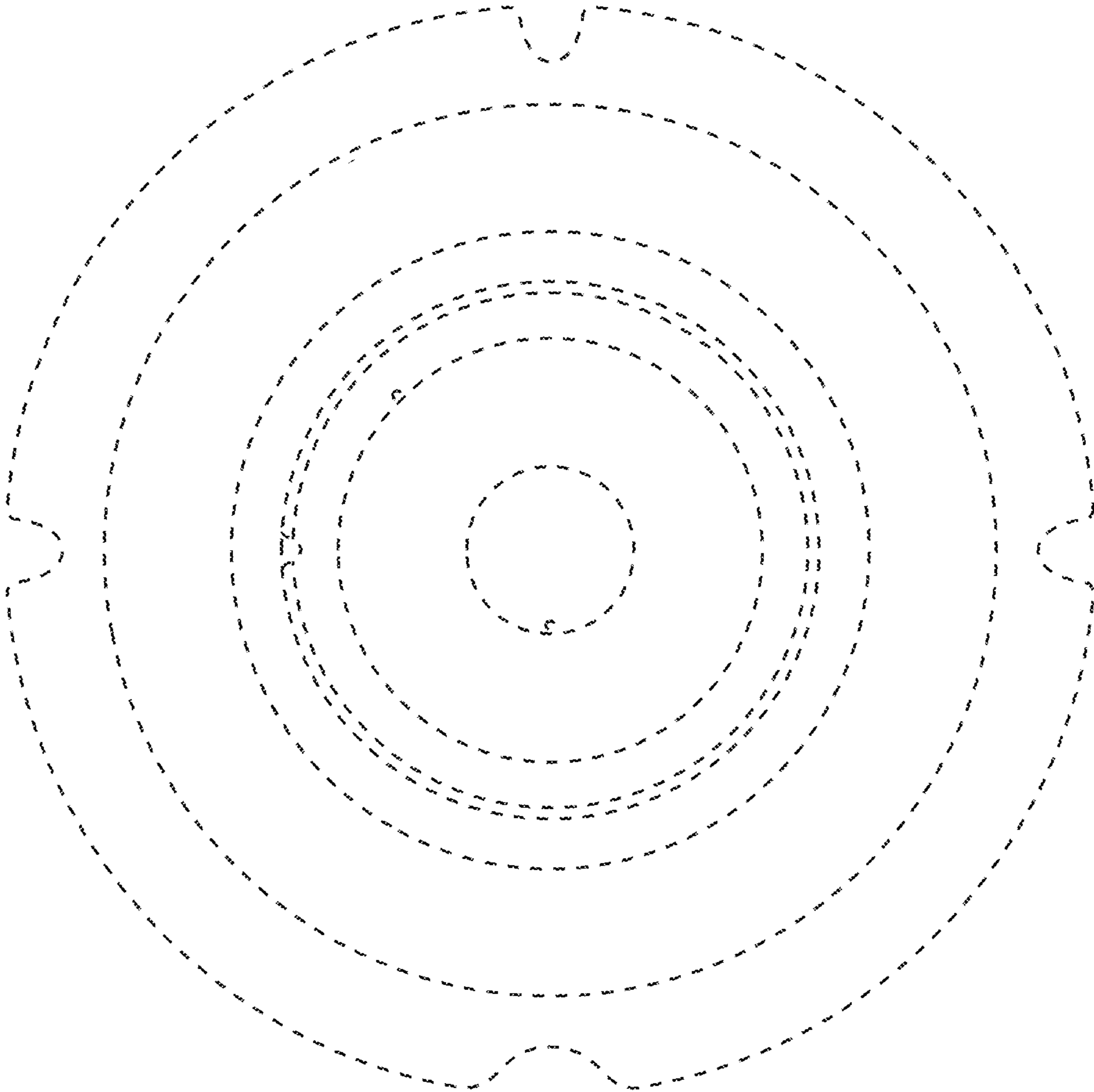
\* cited by examiner



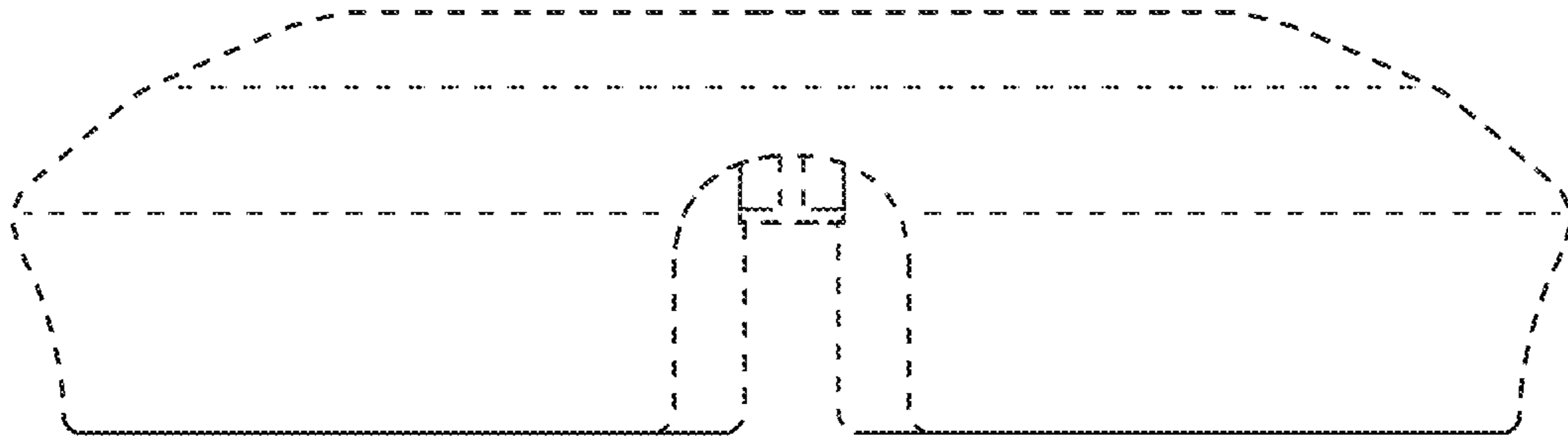
**FIG. 1**



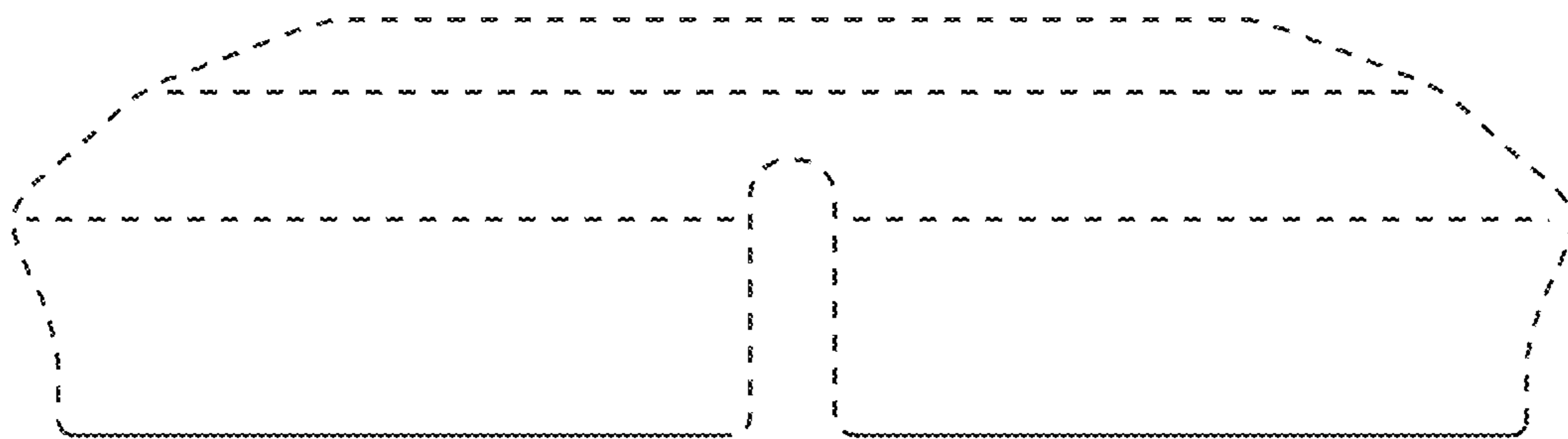
**FIG. 2**



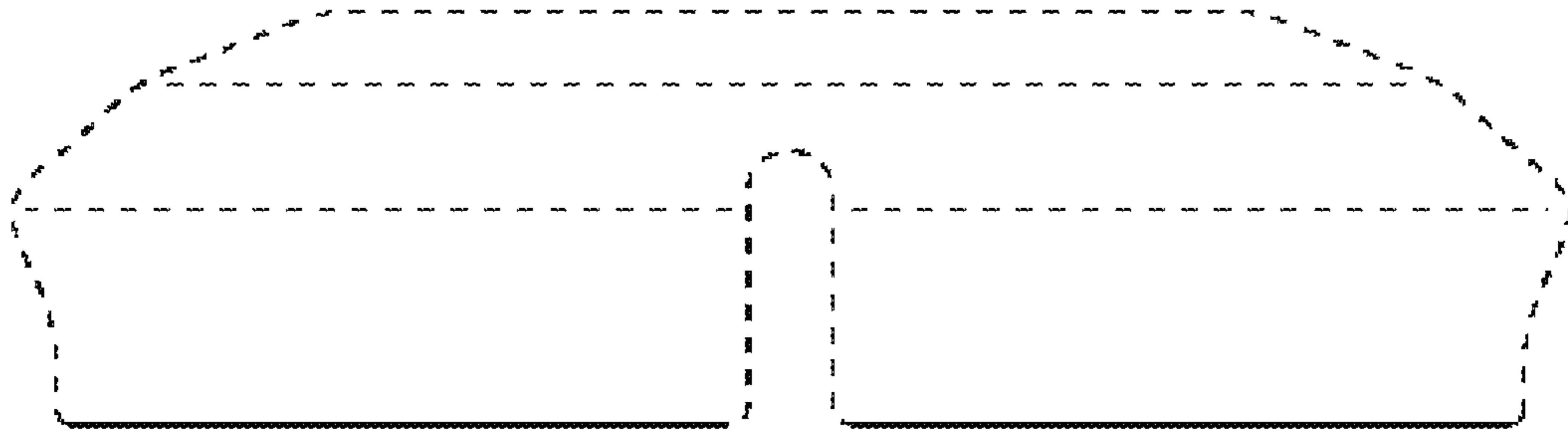
**FIG. 3**



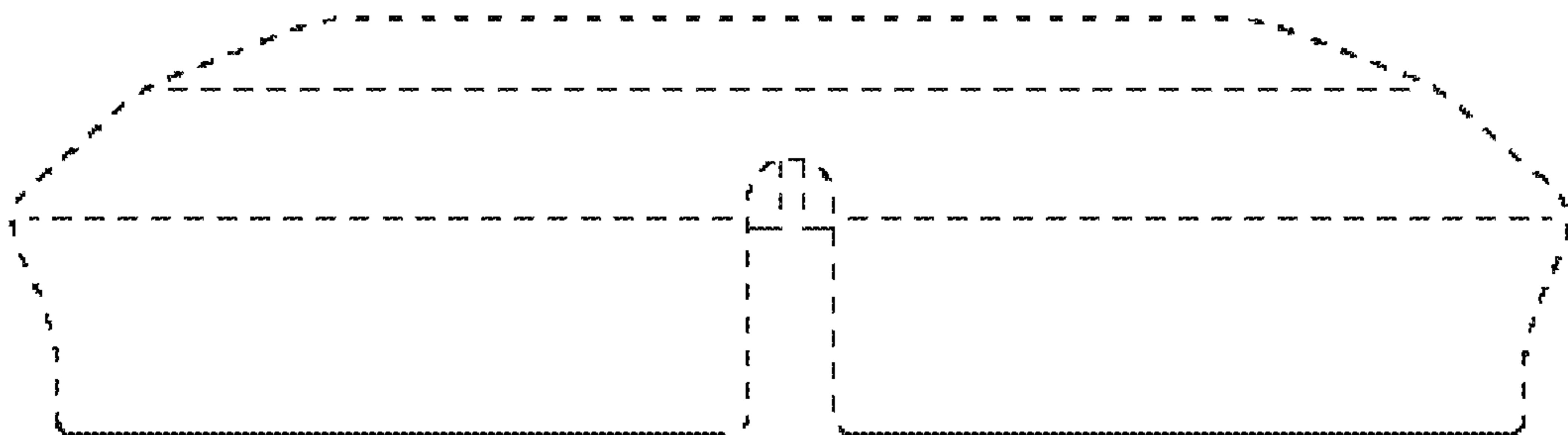
**FIG. 4**



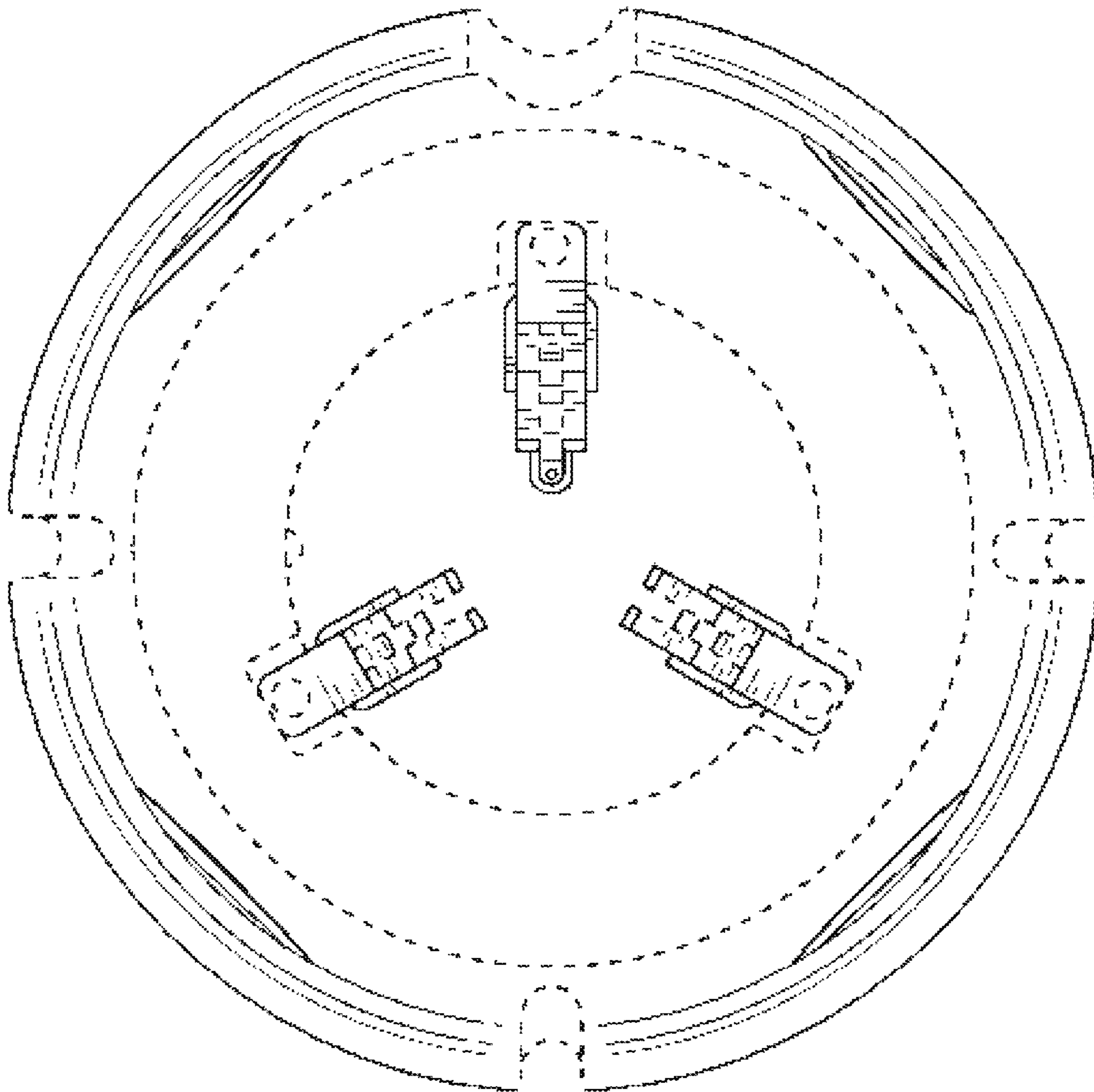
**FIG. 5**



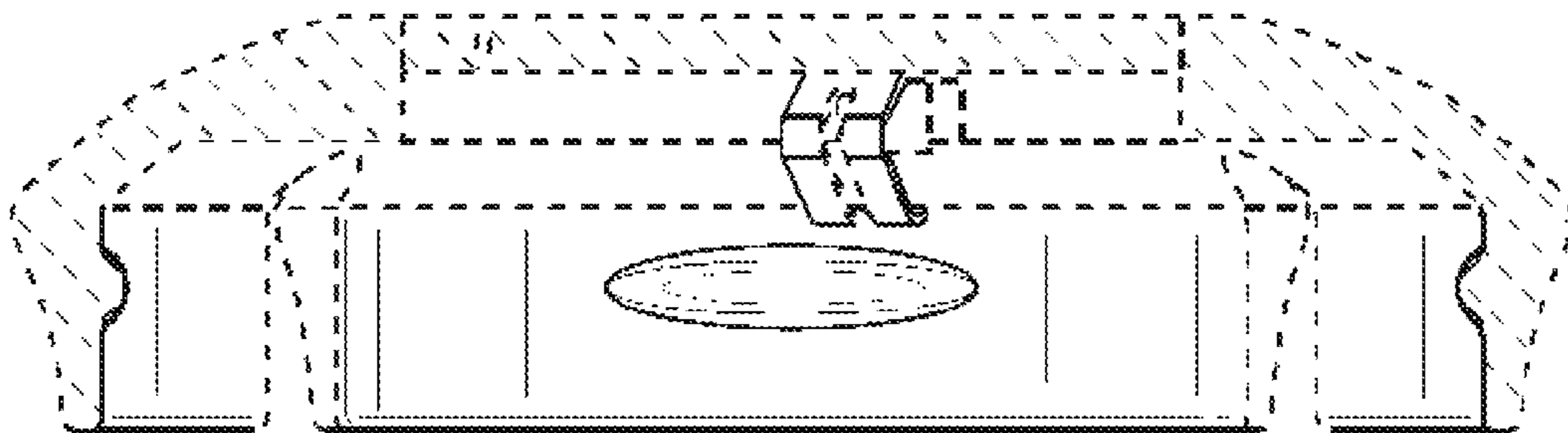
**FIG. 6**



**FIG. 7**



**FIG. 8**



**FIG. 9**