



US00D954267S

(12) **United States Design Patent** (10) **Patent No.:** **US D954,267 S**
Christopher et al. (45) **Date of Patent:** **** *Jun. 7, 2022**

(54) **SURGICAL CONSOLE**

(56) **References Cited**

(71) Applicant: **Johnson & Johnson Surgical Vision, Inc.**, Santa Ana, CA (US)
(72) Inventors: **Stephen Christopher**, Philadelphia, PA (US); **Jeremy Links**, Santa Ana, CA (US); **Karoly Kozak**, Mission Viejo, CA (US)
(73) Assignee: **Johnson & Johnson Surgical Vision, Inc.**, Irvine, CA (US)

U.S. PATENT DOCUMENTS

D352,106	S	*	11/1994	Fanney	D24/108
D486,915	S	*	2/2004	Warschewske	D24/185
D648,855	S	*	11/2011	Smith	D24/158
D657,470	S	*	4/2012	Schon	D24/186
D695,898	S	*	12/2013	Chung	D24/158
D699,852	S	*	2/2014	Chung	D24/158
D825,763	S	*	8/2018	Lim	D24/160
D875,253	S	*	2/2020	Moon	D24/160
D882,798	S	*	4/2020	Hong	D24/160

(Continued)

(*) Notice: This patent is subject to a terminal disclaimer.

(**) Term: **15 Years**

(21) Appl. No.: **29/709,046**

(22) Filed: **Oct. 10, 2019**

(51) **LOC (13) Cl.** **24-02**

(52) **U.S. Cl.**
USPC **D24/185**

(58) **Field of Classification Search**
USPC D3/201, 203.1; D14/218, 240, 250, 252, D14/255, 372; D16/100, 101, 130, 131, D16/132, 133, 134, 135, 136, 137, 208, D16/218, 219, 220, 221, 237, 242, 243, D16/300, 330, 331, 334; D24/107, 133, D24/137, 138, 150, 158, 159, 160, 172, D24/183, 185, 186, 188, 216, 217, 218, D24/234; D29/112

CPC A61B 3/00; A61B 3/0008; A61B 3/0016; A61B 3/0033; A61B 3/0041; A61B 3/005; A61B 3/0058; A61B 3/0075; A61B 3/0091; A61B 3/02; A61B 3/10; A61B 3/1176; A61B 3/12; A61B 3/1208; A61B 3/13; A61B 3/132; A61B 3/14; A61B 3/18; A61B 2017/00017; A61F 9/00; A61F 9/007; A63F 2300/8082; B24B 1/00; B24B 1/002; B24B 1/005; B24B 1/007; B24B 1/04; B24B 1/24; B24B 1/0025

See application file for complete search history.

OTHER PUBLICATIONS

Dot Med, "Dorc Eva Vitrectomy", first available 2015. (<https://www.dotmed.com/virtual-trade-show/category/Ophthalmology/Vitrectomy/Models/Dorc/Eva/18309>) (Year: 2015).*

(Continued)

Primary Examiner — Lauren D McVey
Assistant Examiner — Justin A Johnson
(74) *Attorney, Agent, or Firm* — Johnson & Johnson Surgical Vision, Inc.

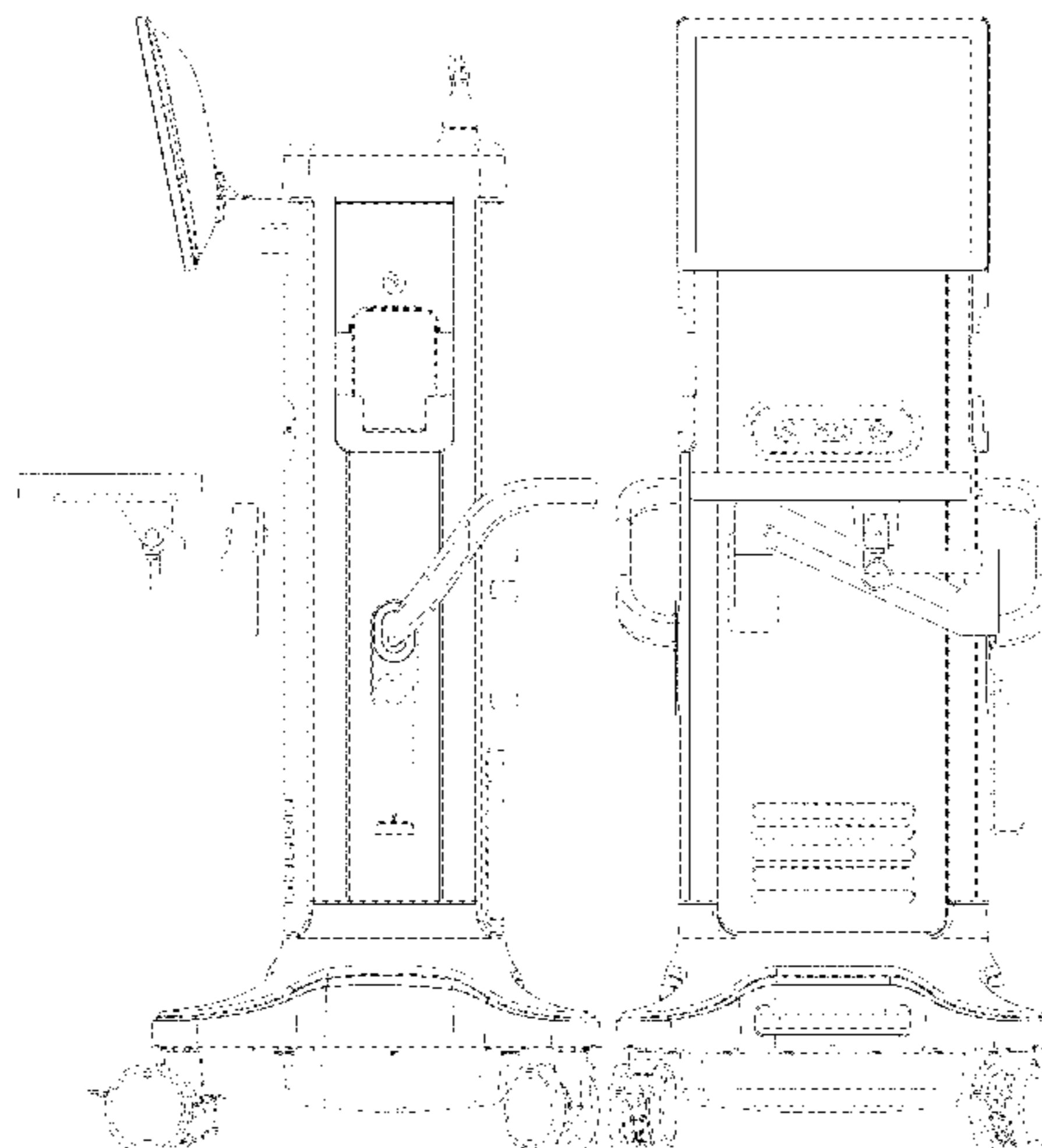
(57) **CLAIM**

We claim the ornamental design for a surgical console, substantially as shown and described.

DESCRIPTION

FIG. 1 is a front perspective view a surgical console of the present invention;
FIG. 2 is right side elevation view of FIG. 1;
FIG. 3 is a left side elevation view of FIG. 1;
FIG. 4 is a back view thereof; and,
FIG. 5 is a front view thereof.
The broken lines in the drawings illustrate portions of the surgical console and form no part of the claimed design.

1 Claim, 5 Drawing Sheets



(56)

References Cited

U.S. PATENT DOCUMENTS

D884,191 S * 5/2020 Koppel D24/185
D884,900 S * 5/2020 Shin D24/158
D888,966 S * 6/2020 Robert D24/185
D911,529 S * 2/2021 Meurer D24/185

OTHER PUBLICATIONS

Eyewire, “Abbott Launches Whitestar Signature Pro Phacoemulsification System in the United States”, first available Nov. 13, 2015. (<https://eyewire.news/articles/abbotts-whitestar-signature-pro-phacoemulsification-system-now-available-in-the-united-states/>) (Year: 2015).*

Zeiss, “Visalis 500 Family”, first available 2016. (https://www.zeiss.com/content/dam/med/ref_international/products/phacoemulsificationvitrectomysystems/visalis-phaco-family/pdf/visalis-500.pdf) (Year: 2016).*

Johnson and Johnson Vision, “Compact INTUITIV System” first available Oct. 28, 2020. (<https://web.archive.org/web/20201028150518/https://www.jnjvisionpro.com/products/compact-intuitiv-system>) (Year: 2020).*

* cited by examiner

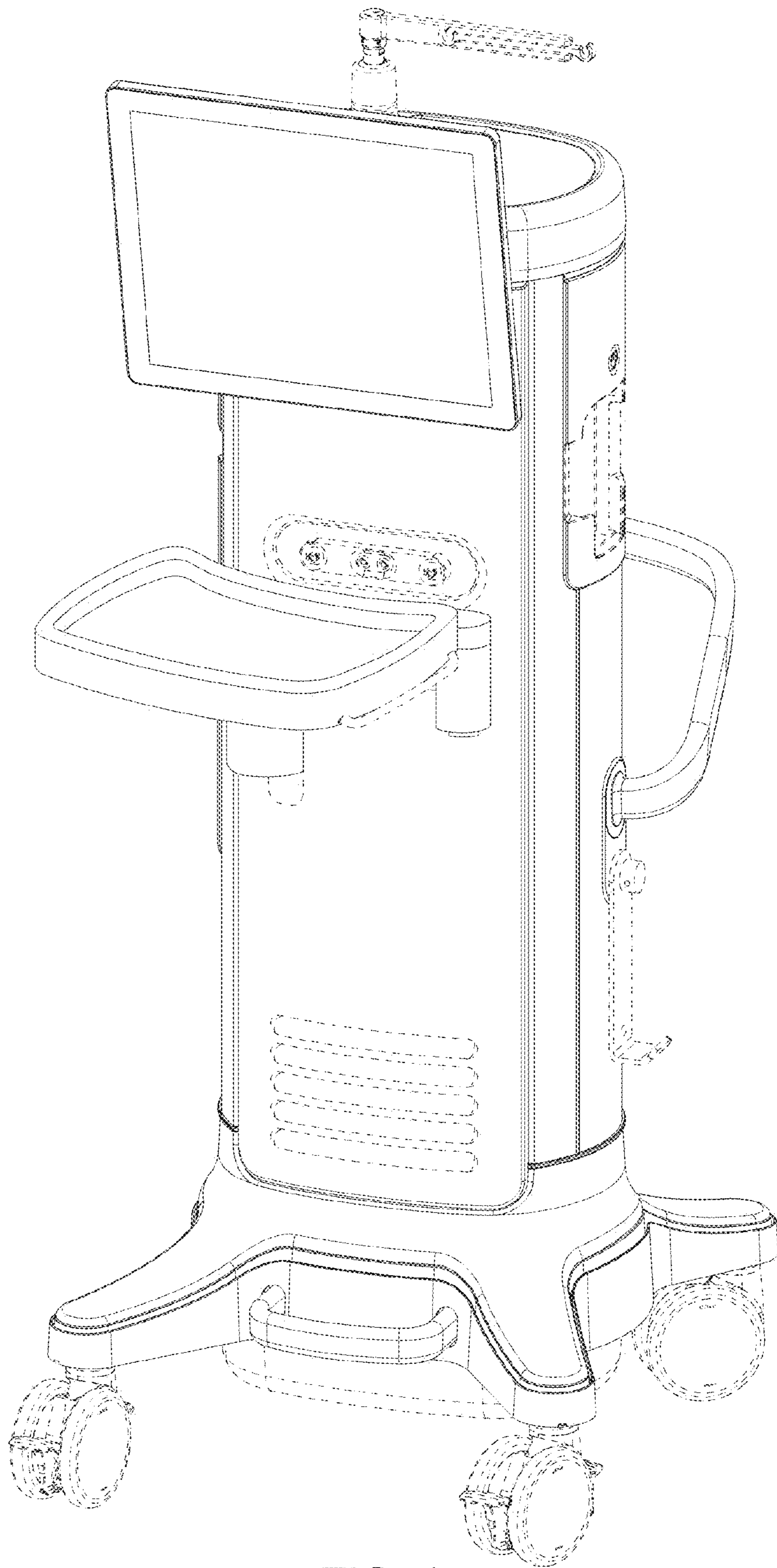


FIG. 1

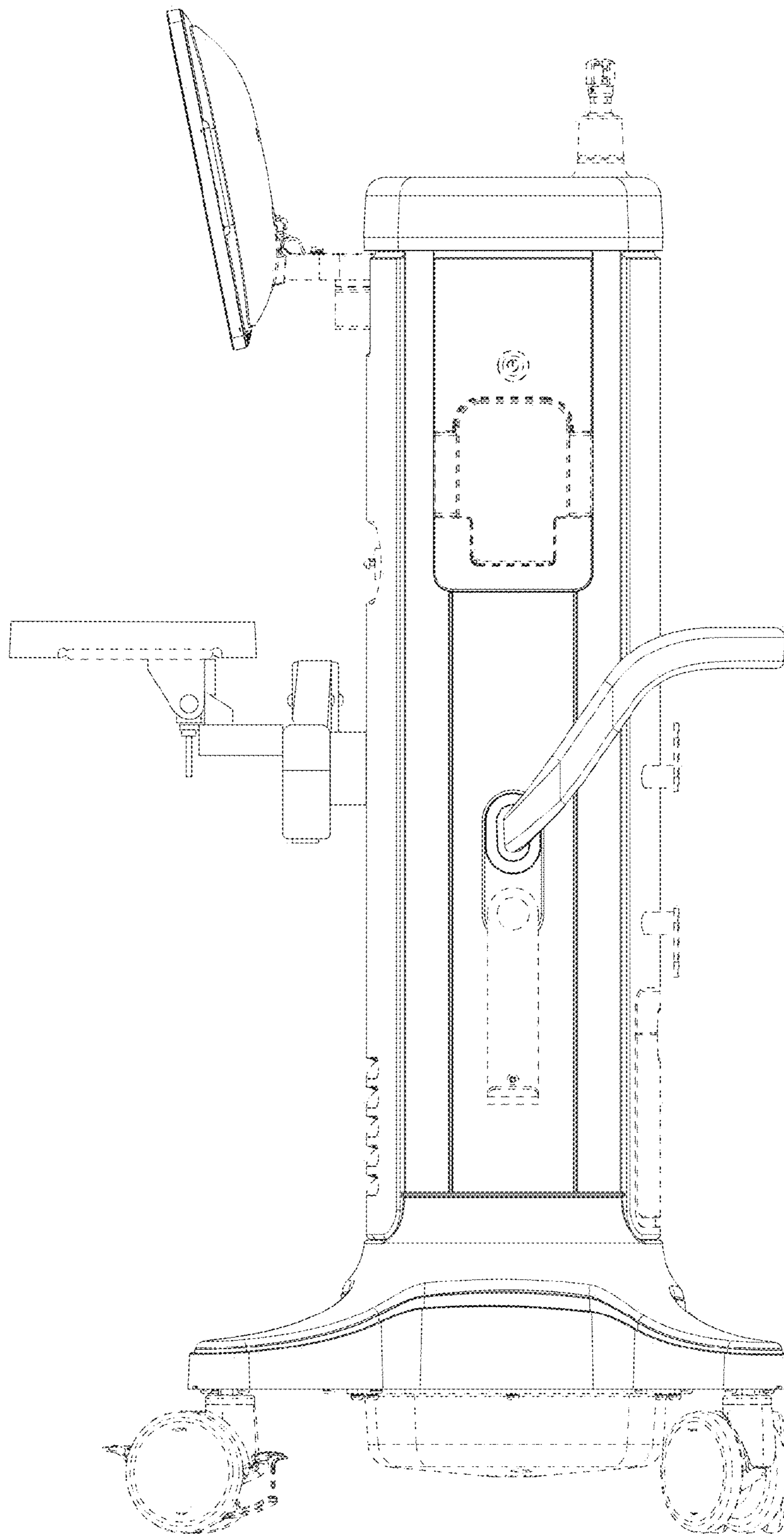


FIG. 2

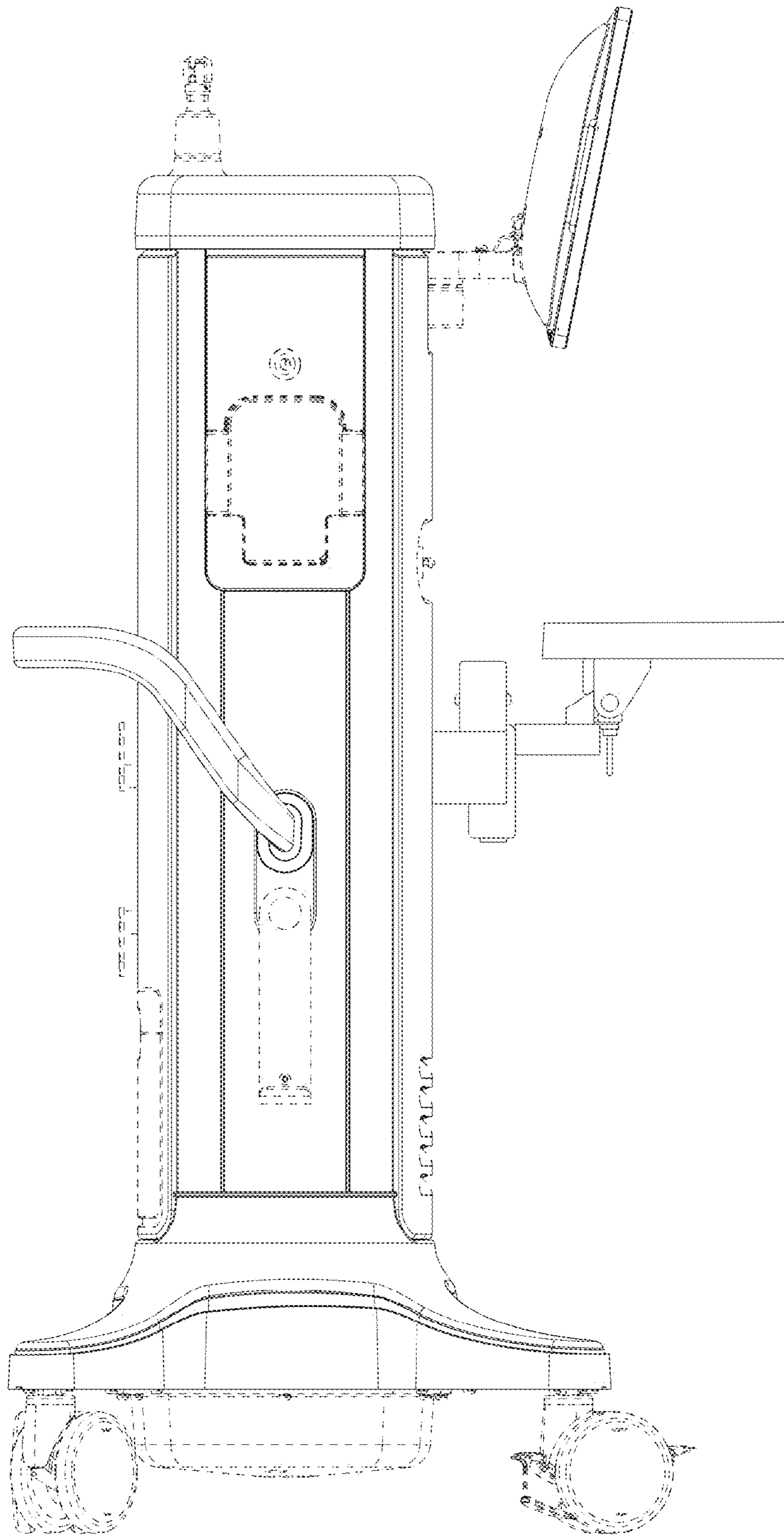


FIG. 3

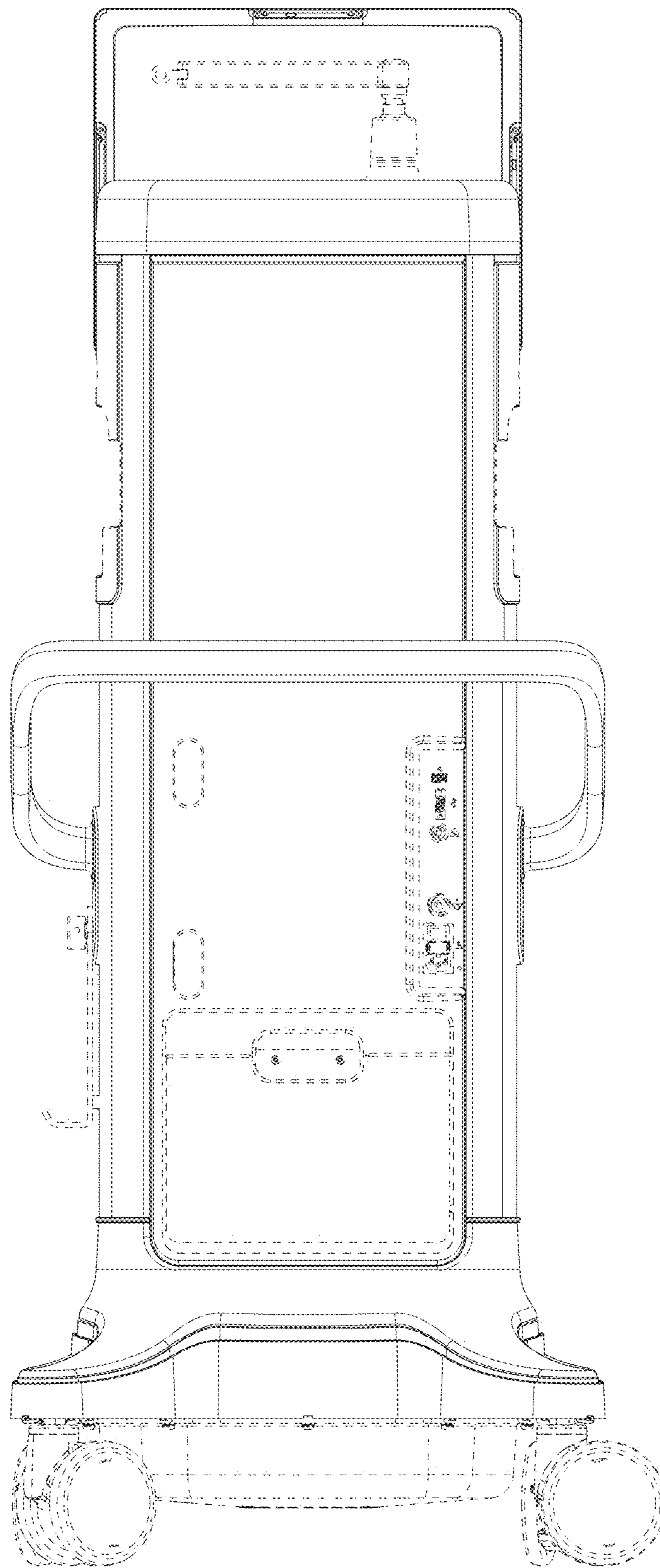


FIG. 4

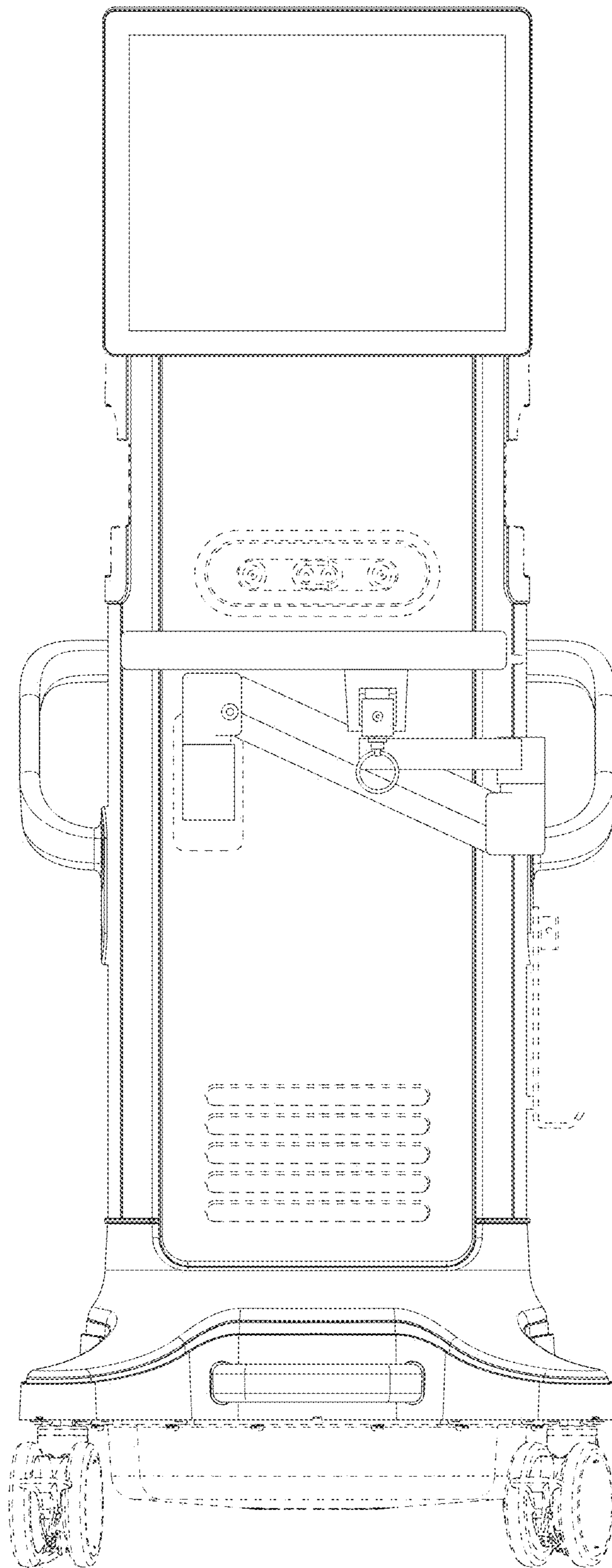


FIG. 5