



US00D954266S

(12) **United States Design Patent**
Swan

(10) **Patent No.:** **US D954,266 S**
(45) **Date of Patent:** **** Jun. 7, 2022**

- (54) **DENTAL MATRIX BAND**
- (71) Applicant: **ULTRADENT PRODUCTS, INC.**,
South Jordan, UT (US)
- (72) Inventor: **Taylor J. Swan**, South Jordan, UT (US)
- (73) Assignee: **ULTRADENT PRODUCTS, INC.**,
South Jordan, UT (US)
- (**) Term: **15 Years**
- (21) Appl. No.: **29/798,585**
- (22) Filed: **Jul. 8, 2021**

Related U.S. Application Data

- (62) Division of application No. 29/685,311, filed on Mar. 27, 2019, now Pat. No. Des. 927,695.
- (51) **LOC (13) Cl.** **24-02**
- (52) **U.S. Cl.**
USPC **D24/181; D24/176**
- (58) **Field of Classification Search**
USPC D24/152-154, 176-182, 107, 155, 156;
D29/108
CPC .. A61C 5/00; A61C 5/12; A61C 5/122; A61C
5/125; A61C 5/127; A61C 7/00; A61C
7/18; A61C 15/00
See application file for complete search history.

(56) **References Cited**

U.S. PATENT DOCUMENTS

- 2,591,744 A * 4/1952 Tofflemire A61C 5/85
433/39
- 2,594,367 A * 4/1952 Tofflemire A61C 5/85
433/39
- 3,145,472 A * 8/1964 Tofflemire A61C 5/85
433/39
- 3,237,307 A * 3/1966 Tofflemire A61C 5/85
433/155

- 3,305,928 A * 2/1967 Tofflemire A61C 5/85
433/39
- 3,482,314 A * 12/1969 Tofflemire A61C 5/85
433/39
- 3,529,353 A * 9/1970 Schiaroli A61C 7/10
433/7

(Continued)

OTHER PUBLICATIONS

Composi-Tight M-series Matrix Bands, [site visited Oct. 13, 2020]. Available from Internet. URL: <https://www.garrisonsdental.com/en/matrix-bands/composi-tight-m-bands> Apr. 18, 2018 (Year: 2018).

(Continued)

Primary Examiner — T Chase Nelson

Assistant Examiner — Kelly L Gross

(74) *Attorney, Agent, or Firm* — Maschoff Brennan

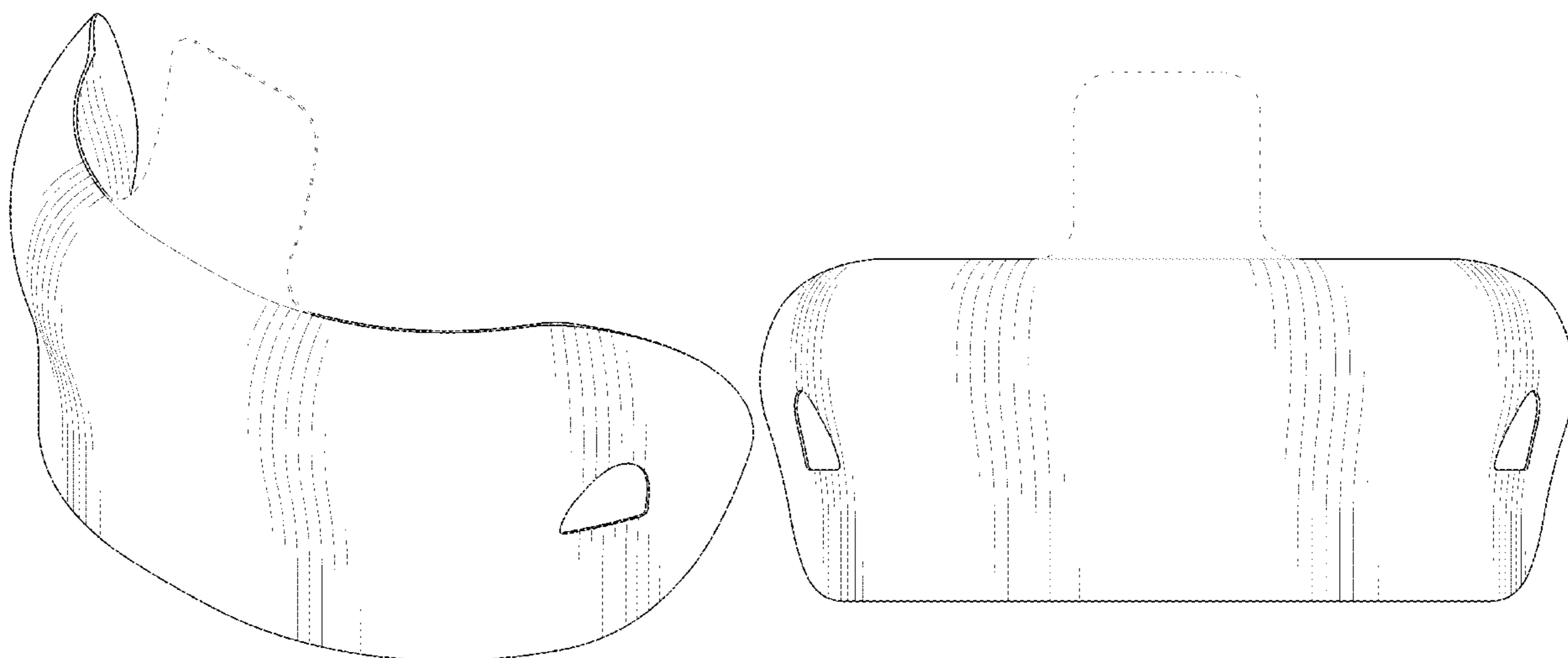
(57) **CLAIM**

The ornamental design for a dental matrix band, as shown and described.

DESCRIPTION

FIG. 1 is a first upper perspective view of a dental matrix band;
FIG. 2 is a second upper perspective view of the dental matrix band;
FIG. 3 is a front view of the dental matrix band;
FIG. 4 is a rear view of the dental matrix band;
FIG. 5 is a left side view of the dental matrix band;
FIG. 6 is a right side view of the dental matrix band;
FIG. 7 is a top view of the dental matrix band; and,
FIG. 8 is a bottom view of the dental matrix band.
The broken lines showing portions of the dental matrix band are included for the purpose of illustrating environmental structures and form no part of the claimed design.

1 Claim, 7 Drawing Sheets



(56)

References Cited

U.S. PATENT DOCUMENTS

3,606,685 A * 9/1971 Schwartz A61C 7/12
433/14
3,842,505 A * 10/1974 Eames A61C 5/85
433/39
D297,362 S * 8/1988 Dragan D24/181
5,035,615 A * 7/1991 Din A61C 5/85
433/39
5,330,353 A * 7/1994 Wavrin A61C 5/85
433/226
D353,200 S * 12/1994 Martin D24/176
5,586,883 A * 12/1996 Nakisher A61C 5/85
433/39
5,730,592 A * 3/1998 Meyer A61C 5/85
433/39
D406,442 S 3/1999 Allen
D424,740 S 5/2000 Ono
D434,524 S 11/2000 Kalafsky
D485,617 S * 1/2004 Bosma D24/152
D485,907 S * 1/2004 Bosma D24/152
D491,663 S * 6/2004 Bat-Genstein D24/176
D556,327 S * 11/2007 Albelda D24/176
D595,414 S * 6/2009 McDonald D24/181
D599,020 S * 8/2009 McDonald D24/181
D599,021 S * 8/2009 McDonald D24/181
D599,022 S * 8/2009 McDonald D24/181
D604,854 S * 11/2009 McDonald D24/181
D605,298 S * 12/2009 McDonald D24/181
D640,421 S 6/2011 Wright
D655,007 S * 2/2012 Dillon A61C 19/063
D24/152
D662,203 S 6/2012 Smith
D666,722 S * 9/2012 Dragan D24/152
8,272,869 B2 * 9/2012 Galler A61C 5/85
433/39
D675,337 S * 1/2013 Peplow D24/227
D688,832 S * 8/2013 Polk, III D29/108
D690,020 S 9/2013 Quimby
D690,423 S * 9/2013 Pieroni D24/181
D690,821 S * 10/2013 Slone D24/181
D692,124 S 10/2013 Austin
D698,924 S * 2/2014 Pieroni D24/181
D705,938 S * 5/2014 McDonald D24/181
8,882,499 B2 * 11/2014 White A61C 7/00
433/18
D721,812 S * 1/2015 Haraden D24/181
D721,813 S * 1/2015 Haraden D24/181
D725,775 S * 3/2015 Foster D24/143
9,084,649 B2 * 7/2015 Kansal A61C 7/00
9,138,300 B2 * 9/2015 Marteney A61C 5/88
D747,809 S * 1/2016 Anderson D24/181
D756,522 S * 5/2016 Anderson D24/181
9,339,351 B2 * 5/2016 Durandis A61C 7/18
9,358,080 B2 * 6/2016 Clark A61C 5/85
D763,449 S * 8/2016 Andersen D24/181
D764,057 S * 8/2016 Schaffner D24/143
9,414,895 B2 * 8/2016 Clark A61C 5/85
D766,445 S * 9/2016 Brown D24/181
D770,050 S * 10/2016 Anderson D24/181
D773,053 S * 11/2016 Garrison D24/181

D792,594 S * 7/2017 Nicholson D24/176
RE46,553 E * 9/2017 McDonald A61C 5/88
D799,048 S * 10/2017 Wigal D24/180
D800,199 S * 10/2017 Yang D15/199
9,775,686 B2 * 10/2017 Agnew A61C 5/82
D808,020 S * 1/2018 Andersen D24/181
9,883,922 B2 * 2/2018 McDonald A61C 5/88
D819,205 S * 5/2018 Snyder D24/135
D822,213 S * 7/2018 Hull D24/181
D823,473 S * 7/2018 Frymark D24/181
D838,856 S * 1/2019 Frymark D24/181
10,314,672 B2 * 6/2019 Alzain A61B 13/00
D861,172 S * 9/2019 Yang D24/176
10,441,394 B2 * 10/2019 McDonald A61C 19/003
10,517,703 B2 * 12/2019 Pines A61C 15/046
D901,012 S * 11/2020 Davies A61C 7/18
D908,875 S * 1/2021 Ashkenazi D24/143
10,898,305 B2 * 1/2021 McDonald A61C 5/85
D29/108
D927,695 S * 8/2021 Swan D24/181
2005/0089814 A1 * 4/2005 Slone A61C 5/85
433/39
2005/0287491 A1 * 12/2005 Slone A61C 5/85
433/39
2007/0154860 A1 * 7/2007 Kerle A61C 5/85
433/39
2008/0176179 A1 * 7/2008 Coffee A61C 5/85
433/7
2009/0081606 A1 * 3/2009 Scarazzo A61C 5/85
433/39
2009/0142725 A1 * 6/2009 Bryant A61C 5/85
433/39
2011/0070555 A1 * 3/2011 Anderson A61C 5/85
433/39
2011/0189629 A1 * 8/2011 Kilcher A61C 5/85
433/39
2012/0129125 A1 * 5/2012 Ibrahim A61C 5/85
433/39
2013/0052608 A1 * 2/2013 Fatiny A61C 5/85
433/39
2013/0216973 A1 * 8/2013 Haraden A61C 5/85
433/39
2014/0051032 A1 * 2/2014 Haraden A61C 5/85
433/39
2015/0150651 A1 * 6/2015 McDonald A61C 5/88
433/149
2015/0182302 A1 * 7/2015 McDonald B05D 1/02
433/39
2015/0216625 A1 * 8/2015 McDonald A61C 5/85
433/155
2017/0231720 A1 * 8/2017 McDonald A61C 1/088
433/29
2018/0014913 A1 * 1/2018 Fatiny A61C 5/85
2019/0350679 A1 * 11/2019 Thai A61C 5/85

OTHER PUBLICATIONS

Placing the Matrix Band,—Garrison Dental [site visited Oct. 13, 2020]. Available from Internet. URL: <https://www.youtube.com/watch?v=5Tj9xP2Zpc> Apr. 18, 2018 (Year: 2018).

* cited by examiner

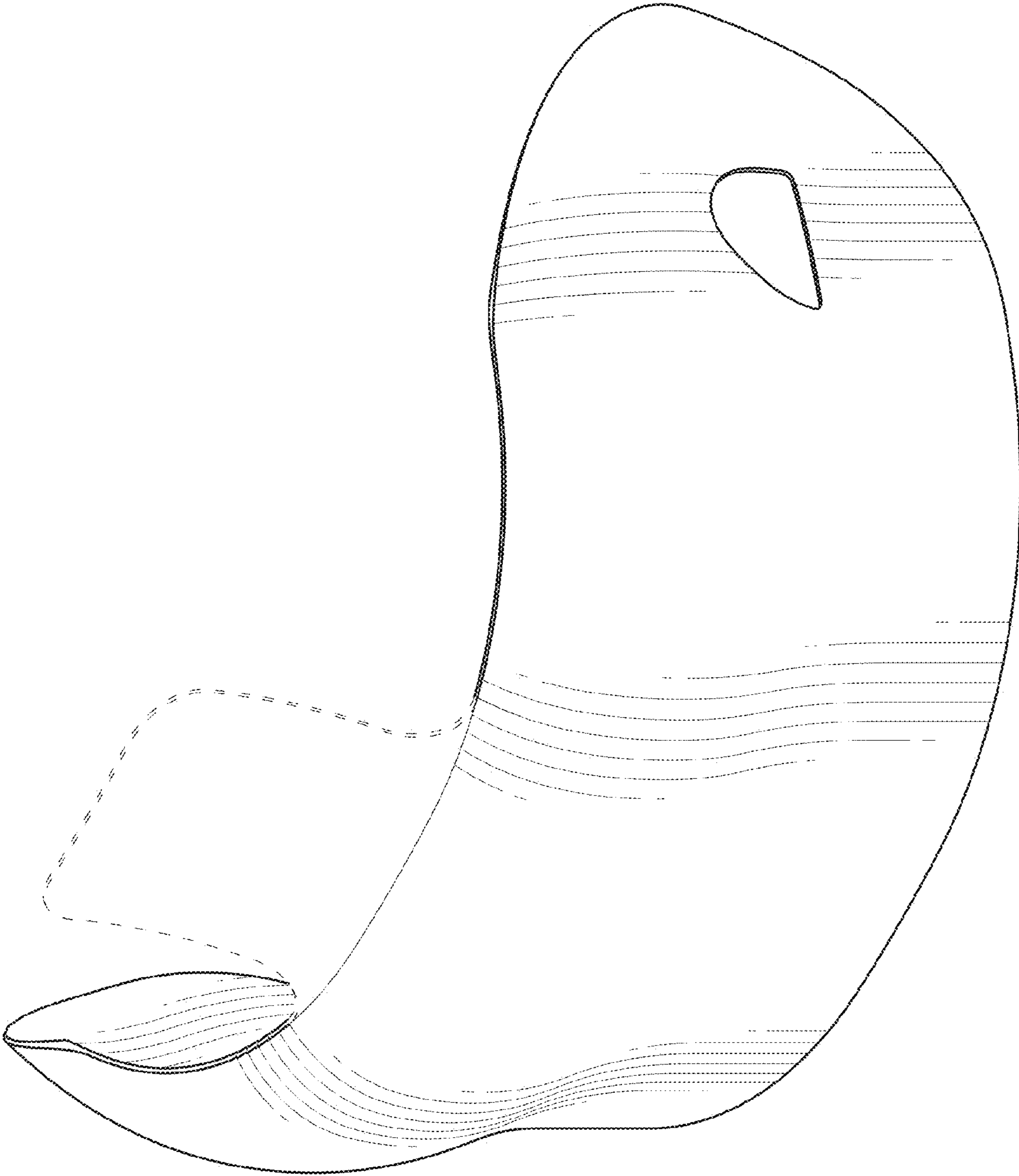


FIG. 1

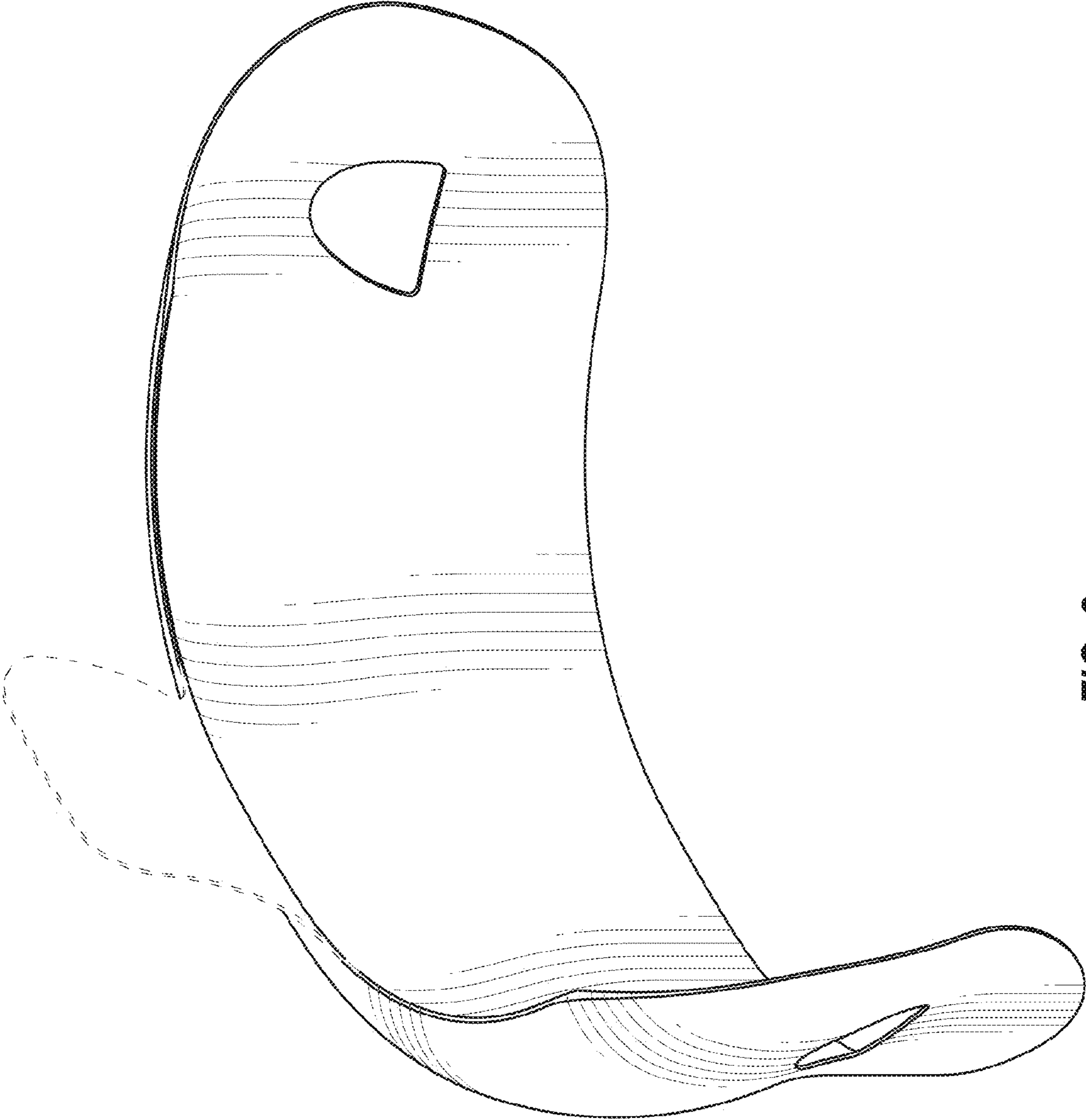


FIG. 2

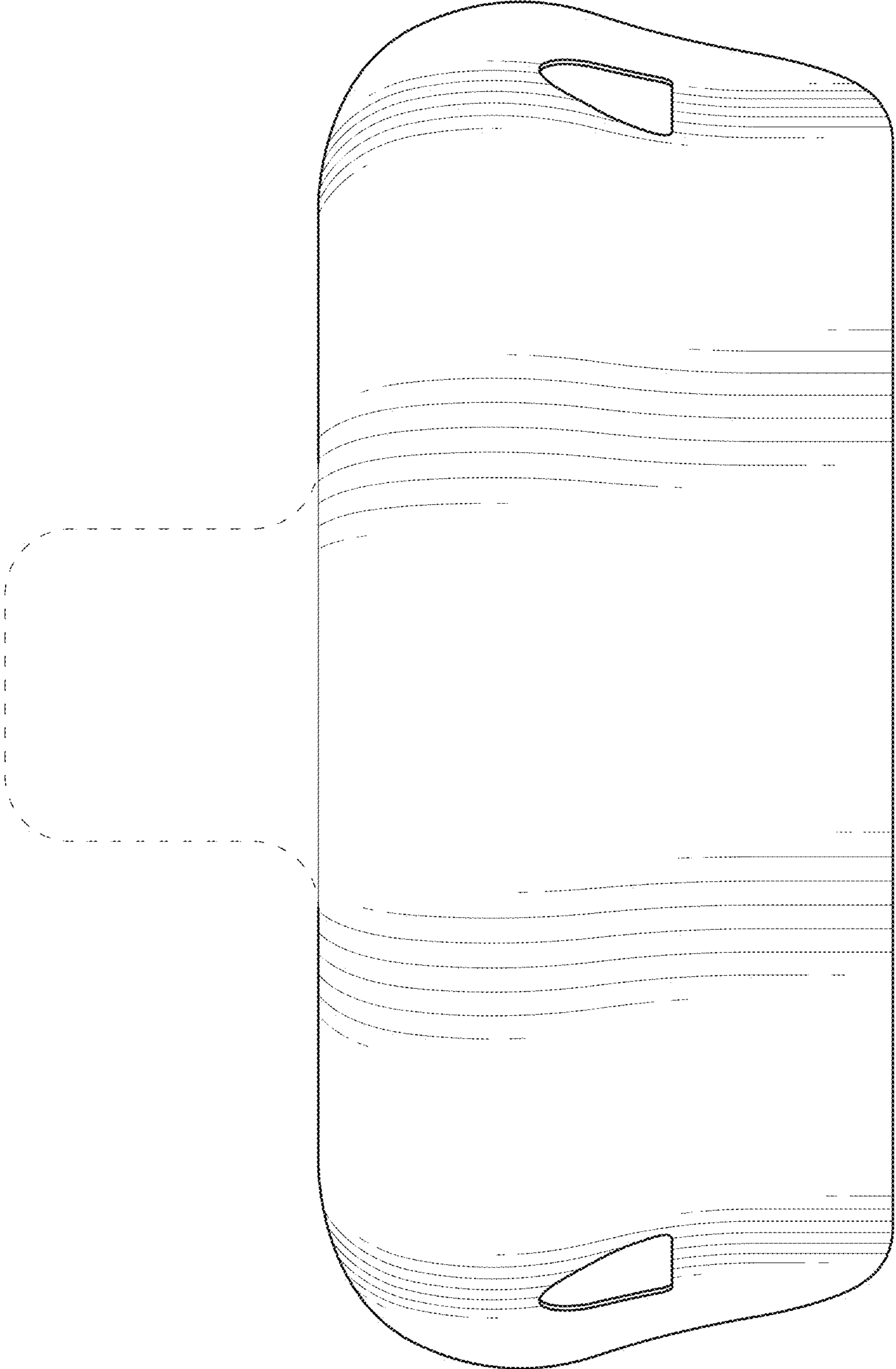


FIG. 3

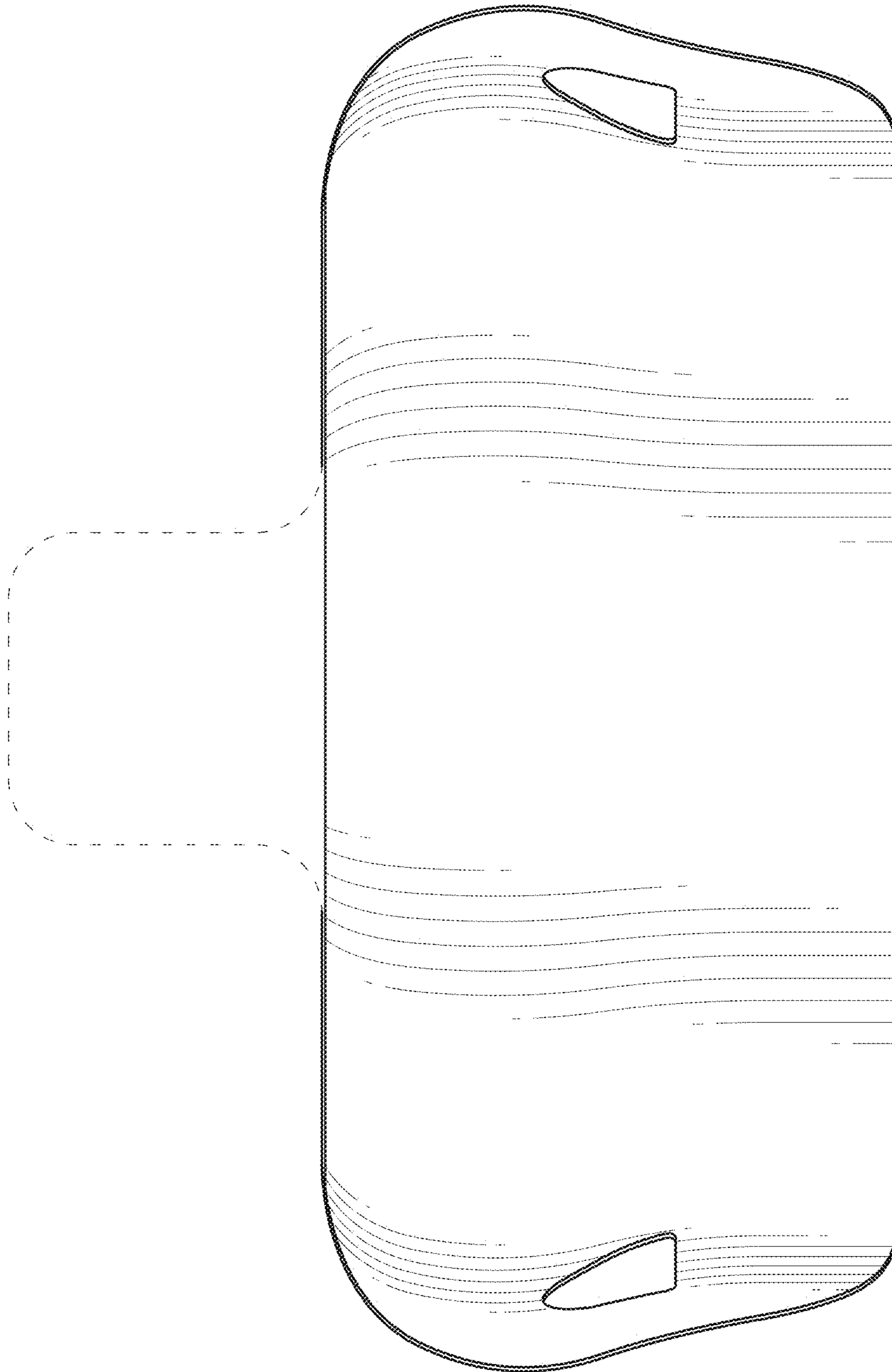


FIG. 4

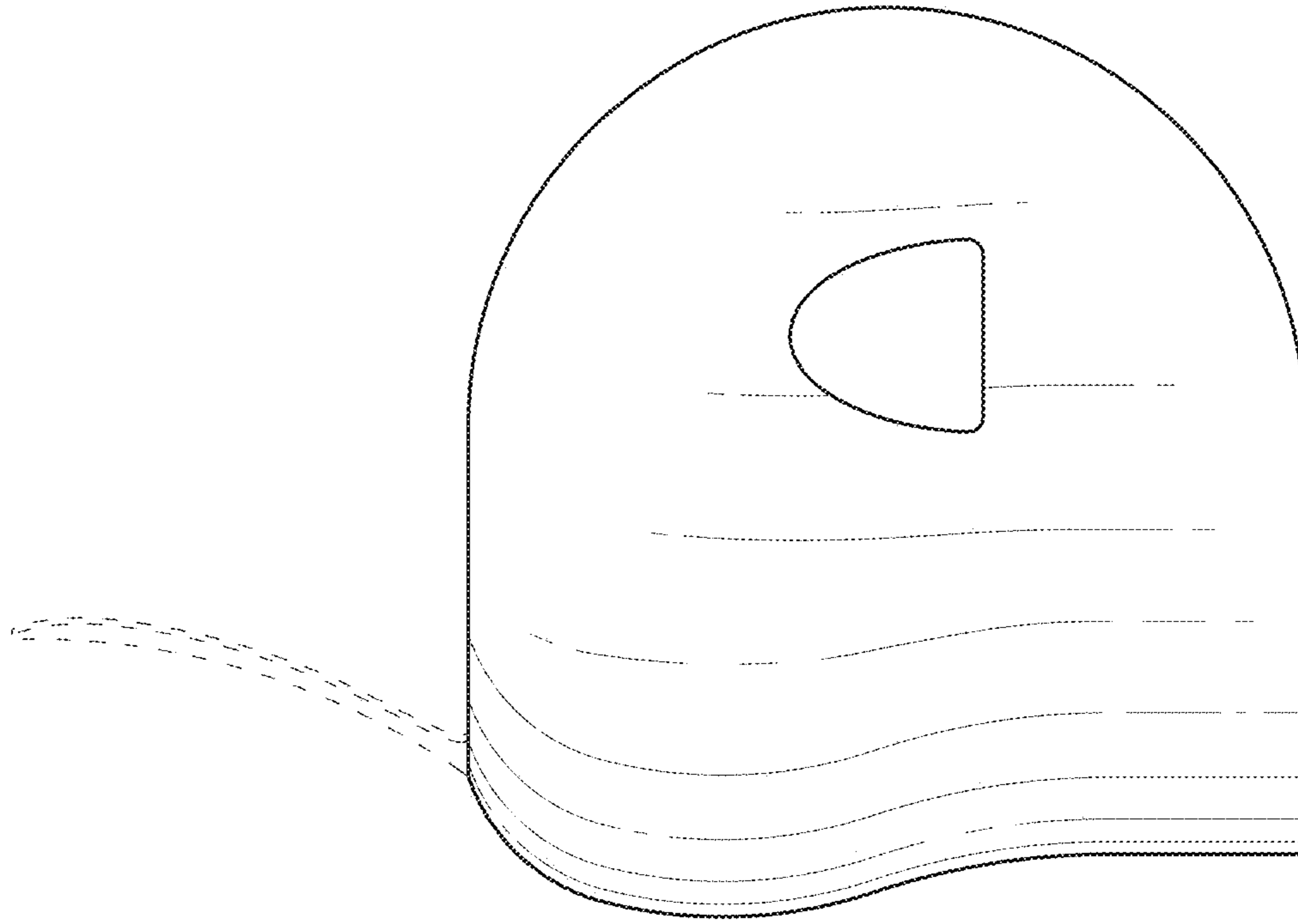


FIG. 6

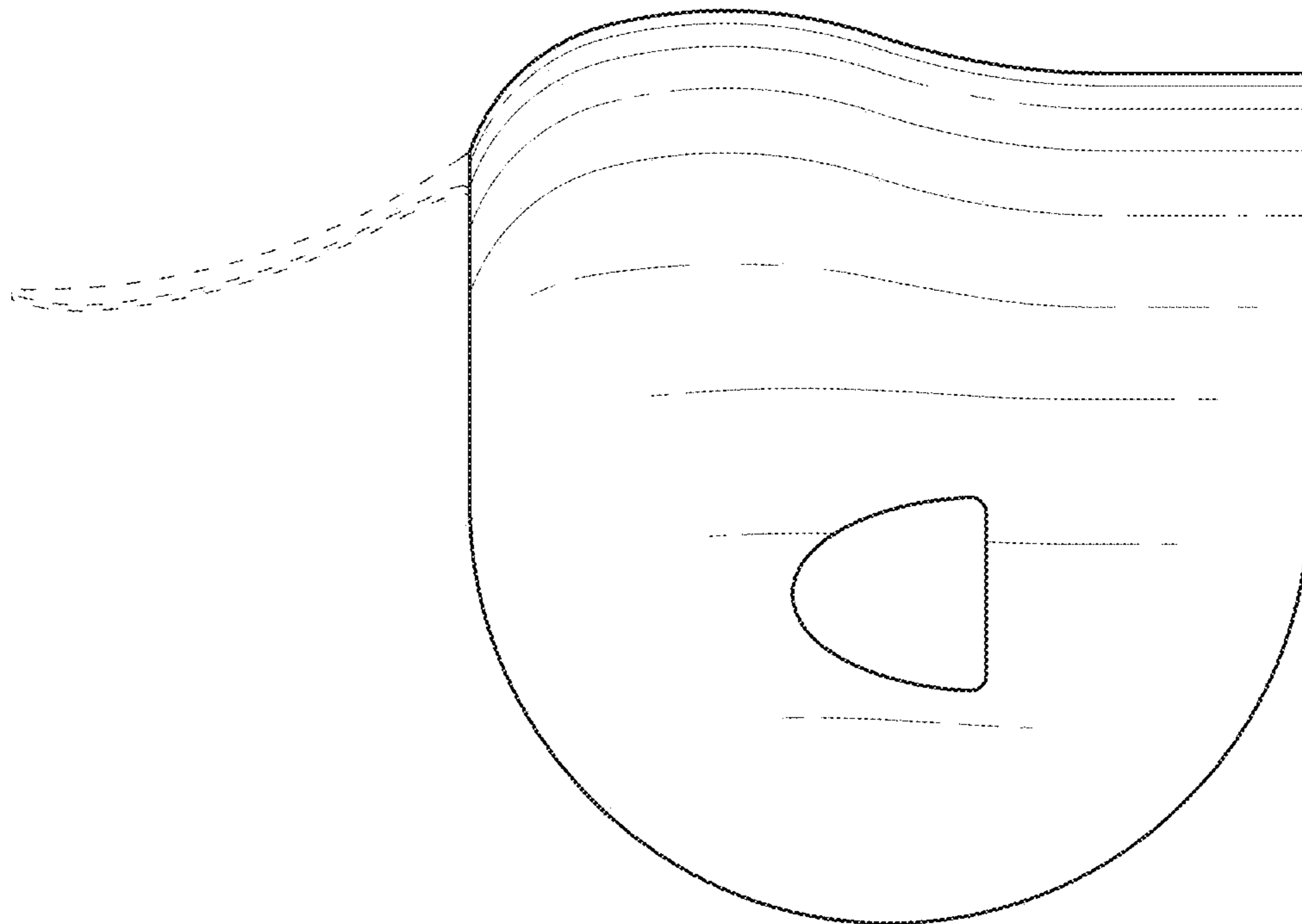


FIG. 5

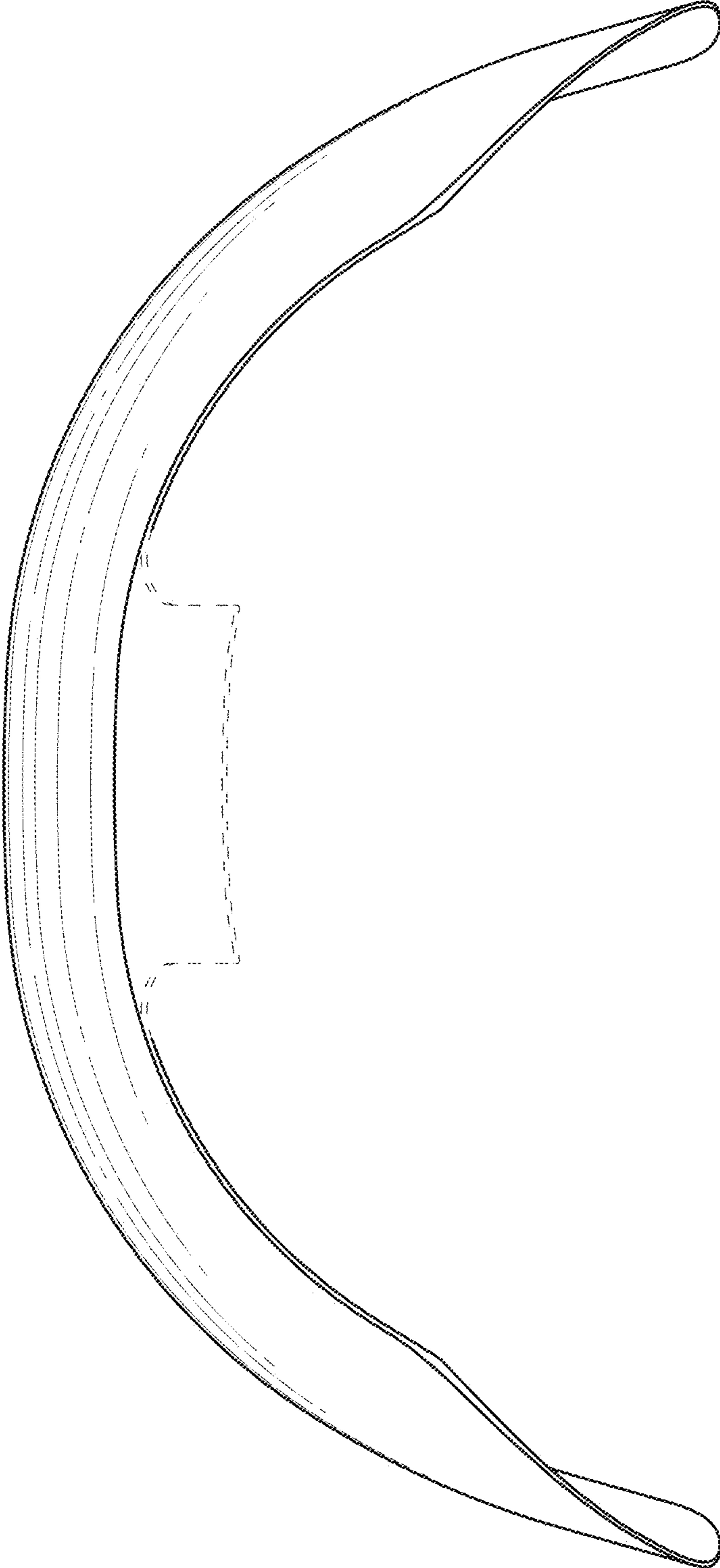


FIG. 7

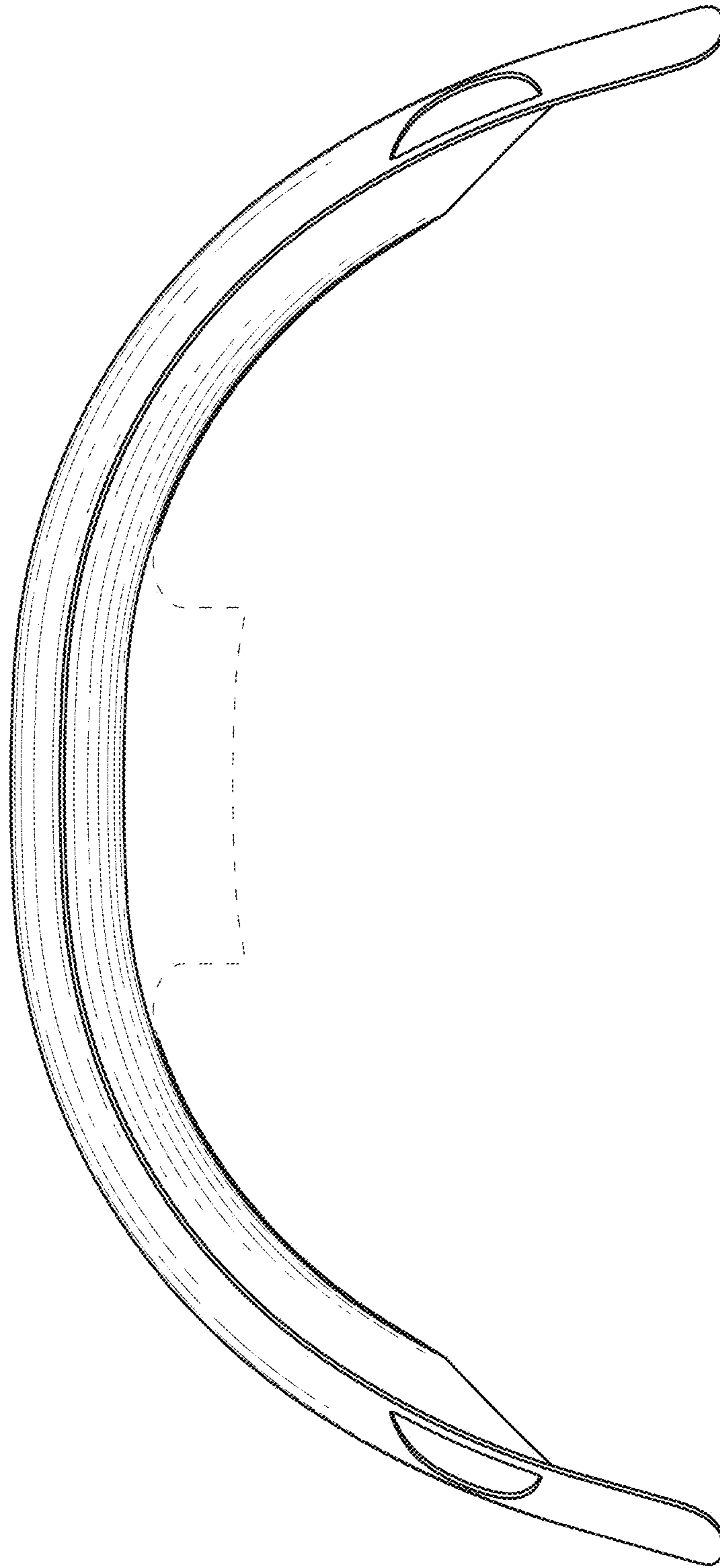


FIG. 8