



US00D954263S

(12) **United States Design Patent**
Sheridan et al.

(10) **Patent No.:** **US D954,263 S**

(45) **Date of Patent:** **** Jun. 7, 2022**

(54) **VENTILATOR**

(71) Applicant: **Applied Fab & Machining, Inc.**,
Wausau, WI (US)

(72) Inventors: **Tim Sheridan**, Weston, WI (US);
Brent Kadubek, Gleason, WI (US);
Matt Beilke, Merrill, WI (US); **Sarah Schroeder**, Edgar, WI (US)

(73) Assignee: **Applied Fab & Machining, Inc.**,
Wausau, WI (US)

(**) Term: **15 Years**

(21) Appl. No.: **29/730,324**

(22) Filed: **Apr. 2, 2020**

(51) **LOC (13) Cl.** **24-02**

(52) **U.S. Cl.**
USPC **D24/164**

(58) **Field of Classification Search**
USPC D24/164, 231, 110, 110.6, 169, 110.1;
D23/370; D14/211, 216
CPC A61M 15/0086; A61M 16/0069
See application file for complete search history.

(56) **References Cited**

U.S. PATENT DOCUMENTS

D420,118 S * 2/2000 Radko D23/370
6,644,305 B2 * 11/2003 MacRae A61M 15/0086
128/200.14
D492,035 S * 6/2004 Crafoord D24/169

D528,102 S * 9/2006 Lye D14/211
D606,516 S * 12/2009 Siegrist D14/216
D620,104 S * 7/2010 Curran D24/110.1
D692,556 S * 10/2013 Winter D24/110.6
D693,001 S * 11/2013 Winter D24/110.6
D708,733 S * 7/2014 Ng D24/110
D733,887 S * 7/2015 Blomquist D24/164
D894,369 S * 8/2020 Salmon D24/110
2007/0215155 A1 * 9/2007 Marx A61M 16/0069
128/204.21

* cited by examiner

Primary Examiner — Rhea Shields

(74) *Attorney, Agent, or Firm* — Michele V. Frank;
Venable LLP

(57) **CLAIM**

I claim the ornamental design for a ventilator, as shown and described.

DESCRIPTION

The patent or application file contains at least one drawing executed in color. Copies of this patent or patent application publication with color drawing(s) will be provided by the Office upon request and payment of the necessary fee.

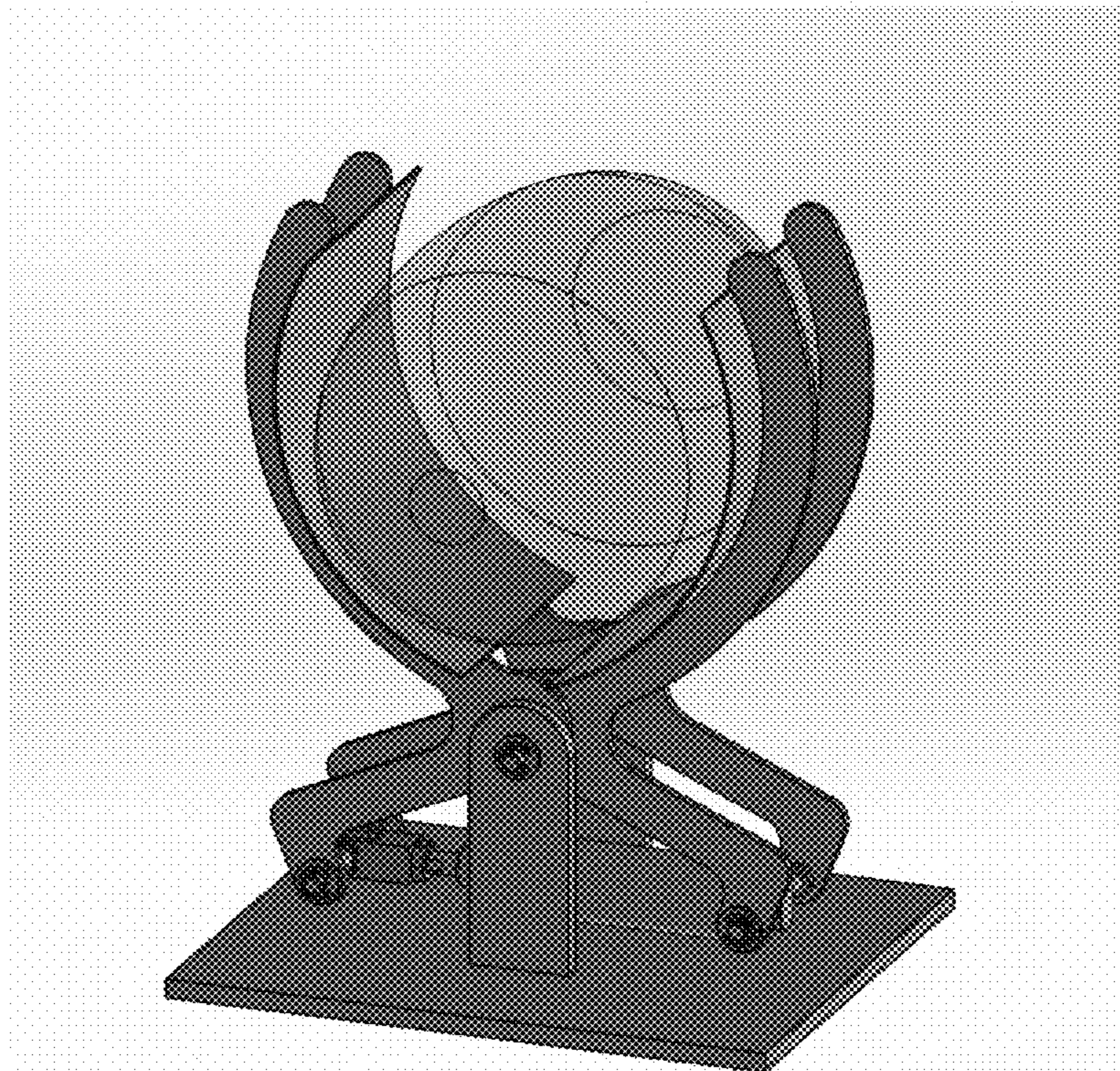
FIG. 1 is a perspective view of an embodiment of a ventilator;

FIG. 2 is a front view thereof; and,

FIG. 3 is a front view thereof, moved to a compressed position.

The features show in broken lines represent portions of the ventilator which form no part of the claimed design.

1 Claim, 3 Drawing Sheets
(3 of 3 Drawing Sheet(s) Filed in Color)



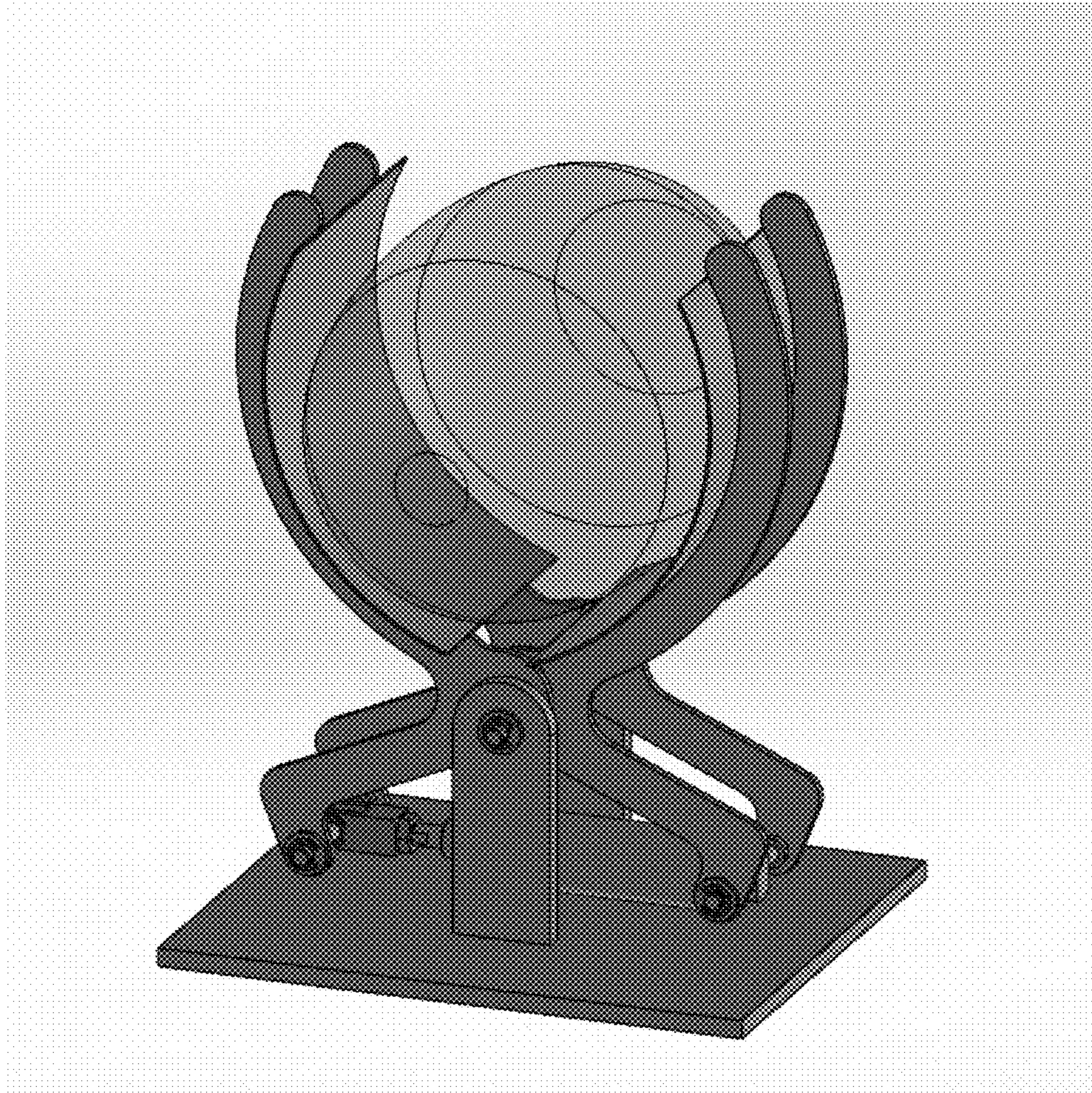


FIG. 1



FIG. 2

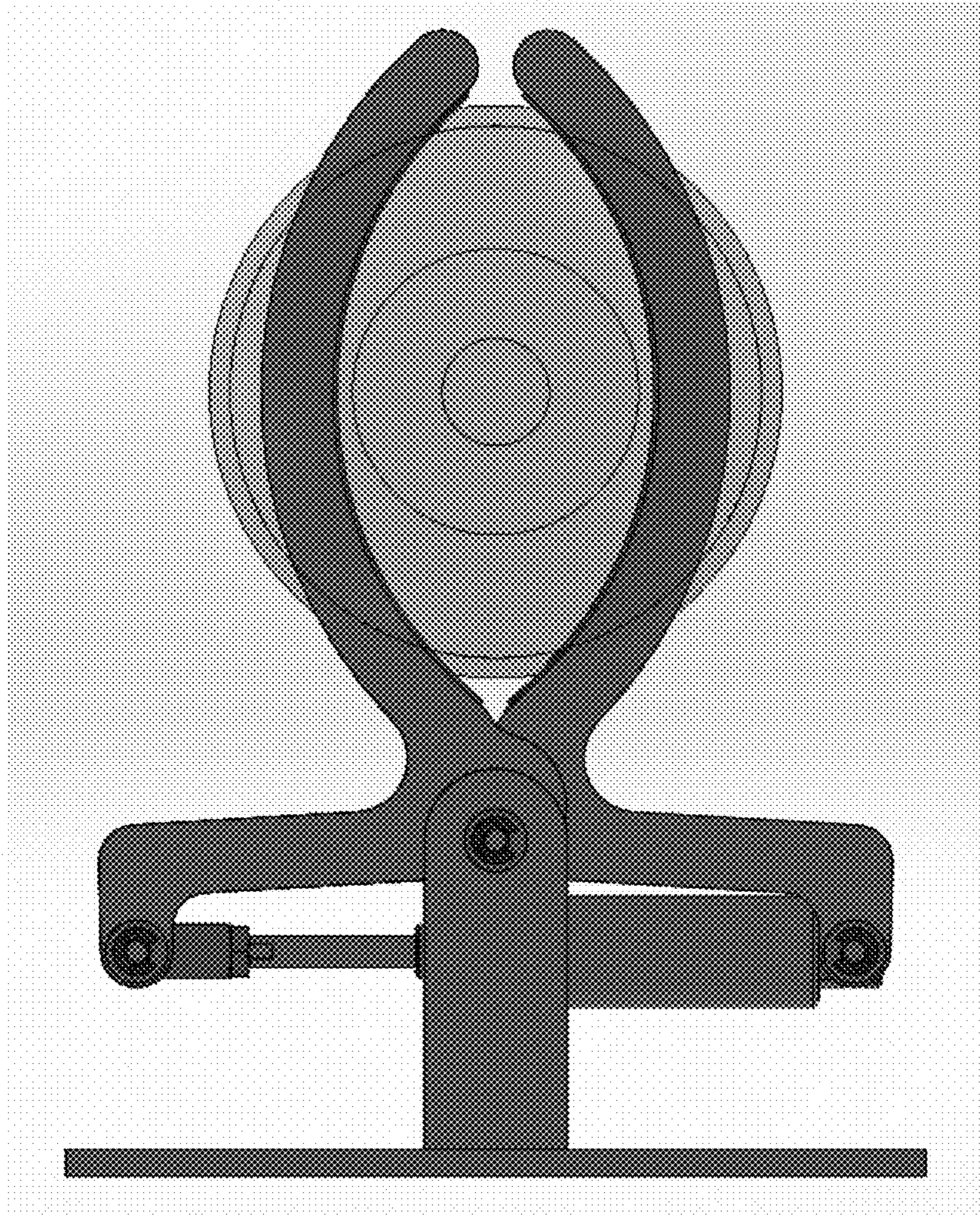


FIG. 3